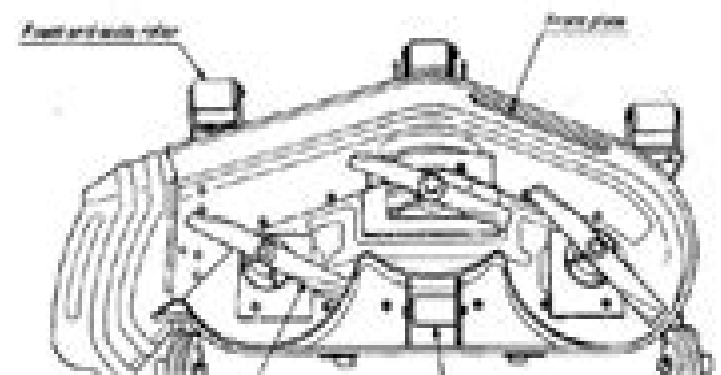
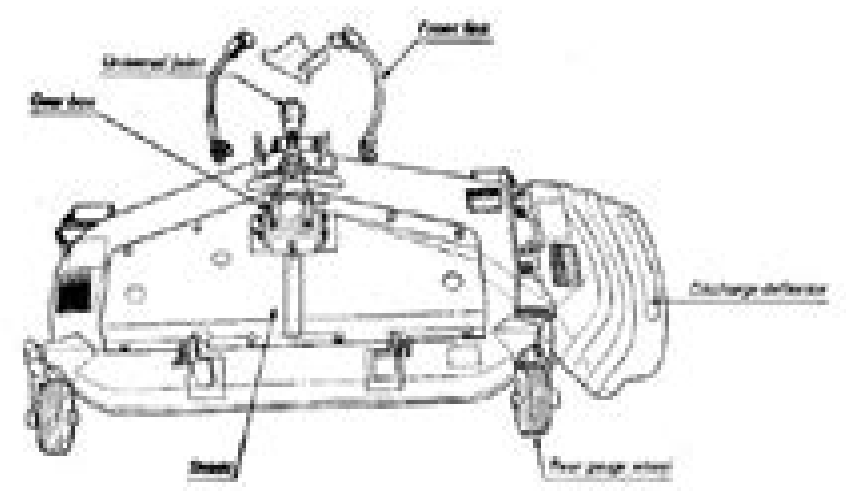


Page Thumbnails



## 9.2 MOWER TECHNOLOGY



# Kubota Mower Deck Manual

**Zhe Xu**



## **Kubota Mower Deck Manual:**

*Power Farming in Australia and New Zealand Technical Manual* ,1989      *Public Works Manual* ,2002      *Popular Mechanics* ,2005-10 Popular Mechanics inspires instructs and influences readers to help them master the modern world Whether it s practical DIY home improvement tips gadgets and digital technology information on the newest cars or the latest breakthroughs in science PM is the ultimate guide to our high tech lifestyle      *Consumers Digest* ,1989      *The Australian & New Zealand Grapegrower & Winemaker* ,2002      **Farmers and Consumers Market Bulletin** ,2009

**Popular Mechanics** ,2005-10 Popular Mechanics inspires instructs and influences readers to help them master the modern world Whether it s practical DIY home improvement tips gadgets and digital technology information on the newest cars or the latest breakthroughs in science PM is the ultimate guide to our high tech lifestyle      *Popular Mechanics* ,1979-03 Popular Mechanics inspires instructs and influences readers to help them master the modern world Whether it s practical DIY home improvement tips gadgets and digital technology information on the newest cars or the latest breakthroughs in science PM is the ultimate guide to our high tech lifestyle      *Popular Mechanics* ,2002-03 Popular Mechanics inspires instructs and influences readers to help them master the modern world Whether it s practical DIY home improvement tips gadgets and digital technology information on the newest cars or the latest breakthroughs in science PM is the ultimate guide to our high tech lifestyle      *Kubota Lawn Tractor. Model T1400, T1400H Operator's Manual* Kubota Tekkō Kabushiki Kaisha,198?      *BUYING GUIDE ALL NEW FOR 2005* ,2004      *Popular Mechanics* ,2002-03 Popular Mechanics inspires instructs and influences readers to help them master the modern world Whether it s practical DIY home improvement tips gadgets and digital technology information on the newest cars or the latest breakthroughs in science PM is the ultimate guide to our high tech lifestyle      **Official Gazette of the United States Patent and Trademark Office** United States. Patent and Trademark Office,1987-05      *Official Gazette of the United States Patent and Trademark Office* ,1987      **Annual Home, Hardware, Auto and Leisure** Sears, Roebuck and Company,1989      *Wallace's Farmer* ,2009      *Consumer Reports Buying Guide 2005* Consumer Reports,2004-10-26      *Organic Gardening* ,1988-04      **Popular Mechanics** ,2005-10 Popular Mechanics inspires instructs and influences readers to help them master the modern world Whether it s practical DIY home improvement tips gadgets and digital technology information on the newest cars or the latest breakthroughs in science PM is the ultimate guide to our high tech lifestyle      **Farm Supplier** ,1987

## The Enigmatic Realm of **Kubota Mower Deck Manual**: Unleashing the Language is Inner Magic

In a fast-paced digital era where connections and knowledge intertwine, the enigmatic realm of language reveals its inherent magic. Its capacity to stir emotions, ignite contemplation, and catalyze profound transformations is nothing lacking extraordinary. Within the captivating pages of **Kubota Mower Deck Manual** a literary masterpiece penned by way of a renowned author, readers embark on a transformative journey, unlocking the secrets and untapped potential embedded within each word. In this evaluation, we shall explore the book's core themes, assess its distinct writing style, and delve into its lasting effect on the hearts and minds of people who partake in its reading experience.

<http://www.armchairempire.com/files/detail/Documents/kbfs20evms%20manual.pdf>

### **Table of Contents Kubota Mower Deck Manual**

1. Understanding the eBook Kubota Mower Deck Manual
  - The Rise of Digital Reading Kubota Mower Deck Manual
  - Advantages of eBooks Over Traditional Books
2. Identifying Kubota Mower Deck Manual
  - Exploring Different Genres
  - Considering Fiction vs. Non-Fiction
  - Determining Your Reading Goals
3. Choosing the Right eBook Platform
  - Popular eBook Platforms
  - Features to Look for in an Kubota Mower Deck Manual
  - User-Friendly Interface
4. Exploring eBook Recommendations from Kubota Mower Deck Manual
  - Personalized Recommendations
  - Kubota Mower Deck Manual User Reviews and Ratings
  - Kubota Mower Deck Manual and Bestseller Lists

5. Accessing Kubota Mower Deck Manual Free and Paid eBooks
  - Kubota Mower Deck Manual Public Domain eBooks
  - Kubota Mower Deck Manual eBook Subscription Services
  - Kubota Mower Deck Manual Budget-Friendly Options
6. Navigating Kubota Mower Deck Manual eBook Formats
  - ePub, PDF, MOBI, and More
  - Kubota Mower Deck Manual Compatibility with Devices
  - Kubota Mower Deck Manual Enhanced eBook Features
7. Enhancing Your Reading Experience
  - Adjustable Fonts and Text Sizes of Kubota Mower Deck Manual
  - Highlighting and Note-Taking Kubota Mower Deck Manual
  - Interactive Elements Kubota Mower Deck Manual
8. Staying Engaged with Kubota Mower Deck Manual
  - Joining Online Reading Communities
  - Participating in Virtual Book Clubs
  - Following Authors and Publishers Kubota Mower Deck Manual
9. Balancing eBooks and Physical Books Kubota Mower Deck Manual
  - Benefits of a Digital Library
  - Creating a Diverse Reading Collection Kubota Mower Deck Manual
10. Overcoming Reading Challenges
  - Dealing with Digital Eye Strain
  - Minimizing Distractions
  - Managing Screen Time
11. Cultivating a Reading Routine Kubota Mower Deck Manual
  - Setting Reading Goals Kubota Mower Deck Manual
  - Carving Out Dedicated Reading Time
12. Sourcing Reliable Information of Kubota Mower Deck Manual
  - Fact-Checking eBook Content of Kubota Mower Deck Manual
  - Distinguishing Credible Sources
13. Promoting Lifelong Learning

- Utilizing eBooks for Skill Development
- Exploring Educational eBooks

#### 14. Embracing eBook Trends

- Integration of Multimedia Elements
- Interactive and Gamified eBooks

### **Kubota Mower Deck Manual Introduction**

Free PDF Books and Manuals for Download: Unlocking Knowledge at Your Fingertips In today's fast-paced digital age, obtaining valuable knowledge has become easier than ever. Thanks to the internet, a vast array of books and manuals are now available for free download in PDF format. Whether you are a student, professional, or simply an avid reader, this treasure trove of downloadable resources offers a wealth of information, conveniently accessible anytime, anywhere. The advent of online libraries and platforms dedicated to sharing knowledge has revolutionized the way we consume information. No longer confined to physical libraries or bookstores, readers can now access an extensive collection of digital books and manuals with just a few clicks. These resources, available in PDF, Microsoft Word, and PowerPoint formats, cater to a wide range of interests, including literature, technology, science, history, and much more. One notable platform where you can explore and download free Kubota Mower Deck Manual PDF books and manuals is the internet's largest free library. Hosted online, this catalog compiles a vast assortment of documents, making it a veritable goldmine of knowledge. With its easy-to-use website interface and customizable PDF generator, this platform offers a user-friendly experience, allowing individuals to effortlessly navigate and access the information they seek. The availability of free PDF books and manuals on this platform demonstrates its commitment to democratizing education and empowering individuals with the tools needed to succeed in their chosen fields. It allows anyone, regardless of their background or financial limitations, to expand their horizons and gain insights from experts in various disciplines. One of the most significant advantages of downloading PDF books and manuals lies in their portability. Unlike physical copies, digital books can be stored and carried on a single device, such as a tablet or smartphone, saving valuable space and weight. This convenience makes it possible for readers to have their entire library at their fingertips, whether they are commuting, traveling, or simply enjoying a lazy afternoon at home. Additionally, digital files are easily searchable, enabling readers to locate specific information within seconds. With a few keystrokes, users can search for keywords, topics, or phrases, making research and finding relevant information a breeze. This efficiency saves time and effort, streamlining the learning process and allowing individuals to focus on extracting the information they need. Furthermore, the availability of free PDF books and manuals fosters a culture of continuous learning. By removing financial barriers, more people can access educational resources and pursue lifelong learning, contributing to personal

growth and professional development. This democratization of knowledge promotes intellectual curiosity and empowers individuals to become lifelong learners, promoting progress and innovation in various fields. It is worth noting that while accessing free Kubota Mower Deck Manual PDF books and manuals is convenient and cost-effective, it is vital to respect copyright laws and intellectual property rights. Platforms offering free downloads often operate within legal boundaries, ensuring that the materials they provide are either in the public domain or authorized for distribution. By adhering to copyright laws, users can enjoy the benefits of free access to knowledge while supporting the authors and publishers who make these resources available. In conclusion, the availability of Kubota Mower Deck Manual free PDF books and manuals for download has revolutionized the way we access and consume knowledge. With just a few clicks, individuals can explore a vast collection of resources across different disciplines, all free of charge. This accessibility empowers individuals to become lifelong learners, contributing to personal growth, professional development, and the advancement of society as a whole. So why not unlock a world of knowledge today? Start exploring the vast sea of free PDF books and manuals waiting to be discovered right at your fingertips.

## **FAQs About Kubota Mower Deck Manual Books**

**What is a Kubota Mower Deck Manual PDF?** A PDF (Portable Document Format) is a file format developed by Adobe that preserves the layout and formatting of a document, regardless of the software, hardware, or operating system used to view or print it. **How do I create a Kubota Mower Deck Manual PDF?** There are several ways to create a PDF: Use software like Adobe Acrobat, Microsoft Word, or Google Docs, which often have built-in PDF creation tools. Print to PDF: Many applications and operating systems have a "Print to PDF" option that allows you to save a document as a PDF file instead of printing it on paper. Online converters: There are various online tools that can convert different file types to PDF. **How do I edit a Kubota Mower Deck Manual PDF?** Editing a PDF can be done with software like Adobe Acrobat, which allows direct editing of text, images, and other elements within the PDF. Some free tools, like PDFescape or Smallpdf, also offer basic editing capabilities. **How do I convert a Kubota Mower Deck Manual PDF to another file format?** There are multiple ways to convert a PDF to another format: Use online converters like Smallpdf, Zamzar, or Adobe Acrobats export feature to convert PDFs to formats like Word, Excel, JPEG, etc. Software like Adobe Acrobat, Microsoft Word, or other PDF editors may have options to export or save PDFs in different formats. **How do I password-protect a Kubota Mower Deck Manual PDF?** Most PDF editing software allows you to add password protection. In Adobe Acrobat, for instance, you can go to "File" -> "Properties" -> "Security" to set a password to restrict access or editing capabilities. Are there any free alternatives to Adobe Acrobat for working with PDFs? Yes, there are many free alternatives for working with PDFs, such as:

LibreOffice: Offers PDF editing features. PDFsam: Allows splitting, merging, and editing PDFs. Foxit Reader: Provides basic PDF viewing and editing capabilities. How do I compress a PDF file? You can use online tools like Smallpdf, ILovePDF, or desktop software like Adobe Acrobat to compress PDF files without significant quality loss. Compression reduces the file size, making it easier to share and download. Can I fill out forms in a PDF file? Yes, most PDF viewers/editors like Adobe Acrobat, Preview (on Mac), or various online tools allow you to fill out forms in PDF files by selecting text fields and entering information. Are there any restrictions when working with PDFs? Some PDFs might have restrictions set by their creator, such as password protection, editing restrictions, or print restrictions. Breaking these restrictions might require specific software or tools, which may or may not be legal depending on the circumstances and local laws.

### **Find Kubota Mower Deck Manual :**

#### **kbfs20evms manual**

[kawasaki zrx 1200 r 2001 2007 service repair manual](#)

#### **keihin cv carb manual**

*kawasaki zx6r zx636 c1 05 06 ita*

#### **kawasaki zxr 750 1989 1996 service repair manual**

#### **kenmore refrigerator repair manual bottom freezer**

[kawasaki z1000 2004 factory service repair manual](#)

[kenmore dishwasher troubleshootine guide](#)

[kenmore quiet guard 4 product manual](#)

[kenmore 596 manual](#)

#### **kelley blue book for trucks**

[keeping kids safe healthy and smart](#)

[kelly a father a son an american quest](#)

*kenmore 158 14100 manual*

[kawasaki zx10 zx1000 1988 1990 workshop service manual](#)

### **Kubota Mower Deck Manual :**

*how to write email for requesting something with 9 examples - Jun 05 2023*

web jun 21 2023 request for a presentation time change dear recipient s name i hope this email finds you well i wanted to



follow up with you regarding the presentation

**letter of presentation how to write a letter** - Sep 27 2022

web oct 5 2023 cover letter free sample 1 dear human resources director please consider this presentation letter as an expression of my interest in exploring and identifying

*how to write a letter to use conference room for presentation* - Feb 18 2022

web august 25 2021 to the secretary name rwa address date date subject request for product presentation sir madam i

*sample letter asking permission to conduct product presentation* - May 24 2022

web nov 8 2023 the request would provide crucial consideration to the challenges that small entities face and ensure that small entities have adequate time to provide comments with

**top 10 business letter templates with samples and** - May 04 2023

web aug 26 2007 presentation request letter presentation request letter forums formal general business letter writing 1 12 085 could you correct this

request letter for conducting presentation in - Oct 09 2023

web jun 24 2023 request for presentation on diversity and inclusion dear name of recipient i hope this email finds you in good health i am writing to request a

**100 sample request letter powerpoint ppt presentations** - Apr 22 2022

web 1 day ago i f letter writing is an art form then seamus heaney was one of its master practitioners christopher reid s 800 page selection from what he assures us was an

presentation sample letters how to write a letter - Mar 02 2023

web a letter offering a business presentation is basically a sales letter your company is offering to demonstrate a product or service in the hope of a sale this is a form of

a perfect sample email to send presentation tips and tricks - Nov 29 2022

web sample letter to request permission to make this charity sample letter to request pol can you pls give me some sample letter to have permission to rent a space in school for

**letter to offer a business presentation** - Aug 27 2022

web learn how to draft a letter requesting your senior officer and asking for permission for using the conference room of the company for presentation purposes c

**how to write a presentation letter cover letter free samples** - Mar 22 2022

web nov 8 2023 a major student loan company is giving millions of borrowers inadequate information as it works to solve billing inaccuracies 4 democratic lawmakers say sen

*9 professionally designed request for proposal - Apr 03 2023*

web 1 letters of presentation are mostly unsolicited so it is important to jump right in with your selling point 2 keep it short and snappy the recipient is unlikely to read anything long

**presentation request letter english forward - Oct 29 2022**

web view sample request letter powerpoint ppt presentations on slideserve collection of 100 sample request letter slideshows

i want a sample letter to ask a permission to give corporate - Jun 24 2022

web 2 days ago a group of more than 100 u s mayors voiced support for a supplemental request with more immigration funding in a tuesday letter mayors from all over the

how to write a business introduction letter with examples - Jul 26 2022

web methodology development or design of methodology creation of models software programming software development designing computer programs implementation of

*student loan company mohela is giving borrowers - Sep 15 2021*

**product presentation request letter letters in english - Aug 15 2021**

*advocacy requests extension of comment period for cfpb s - Nov 17 2021*

**presentation letters letters in english - Jun 12 2021**

7 effective sample email requests for presentation you should - Sep 08 2023

web 1 ask the individual to present a presentation of their service or product to you or your board usually a presentation at a corporate level is done in front of a board or

*more than 100 mayors back biden s supplemental request with - Dec 19 2021*

web aug 25 2021 to the principal college name college address date date subject request for conducting a presentation on

*how to write presentation offer letter sample format - Dec 31 2022*

web this answer closely relates to sample letter for product presentation permission in company sample letter asking permission to conduct product presentation sample

**request letter for giving presentation in society sample letter - Jul 14 2021**

**how to write a request letter format and samples - Jul 06 2023**

web jul 2 2018 the sample presentation offer letter introduces the clients to the newly released products and offers by your company these sample presentation offer letters

**credit author statement elsevier** - Jan 20 2022

web apr 14 2022 to recipient s name name of the society address date date subject seeking permission to give a

**presentation request letter how to write a letter** - Aug 07 2023

web letter of presentation a letter of presentation can be any letter where you share information or and idea to another party ideas information presentation sharing

**request letter format with 24 sample letters doc** - Feb 01 2023

web apr 14 2023 keep it short and concise as you write your letter you might keep it between 300 and 400 words and include just the details you want the reader to know about your

*the letters of seamus heaney review amazing grace* - Oct 17 2021

**macbeth the graphic novel graphic classroom** - Mar 30 2022

web sep 12 2008 it is brilliant macbeth original text this volume takes every scene every word of shakespeare s classic play and adapts it into a comic it is the full unabridged play with original language intact macbeth plain text the plain text volume uses the same art as the original text volume

**macbeth the graphic novel plain text paperback amazon ca** - Jul 02 2022

web shakespeare s macbeth has been magically transformed into a highly engaging graphic novel produced by classical comics the quick text edition offers a simplified version of the scottish tale by using as few words as possible on the page

**macbeth originaltext pdf william shakespeare comics** - May 12 2023

web this full colour graphic novel presents macbeth just as shakespeare intended in its original and unabridged format ideal for purists students and readers who will appreciate the unaltered text macbeth is probably the most dramatic of shakespeare s tragedies and this version will give you a brand new and totally fulfilling view of the sheer

**macbeth graphic novel paperback classical comics** - Aug 03 2022

web as with all our shakespeare titles the period is faithful to the bard s intentions and there is a choice of three text versions the print versions also feature fascinating insights into the background of the play and of the real king macbeth graphic novel 144 pages full colour paperback 246mm x 168mm x 10mm

**macbeth the graphic novel original text overdrive ebooks** - Jan 28 2022

web dec 31 2008 so we came up with the solution our titles are available in different text versions all using the same wonderful full colour artwork original text this is the full unabridged original script just as the bard intended this version is

ideal for purists students and for readers who want to experience the unaltered text

*macbeth the graphic novel quick text google books* - Mar 10 2023

web macbeth the graphic novel quick text william shakespeare classical comics 2008 drama 144 pages includes the story with less dialogue for a fast paced read it s 11th century

*macbeth the graphic novel plain text british english* - Aug 15 2023

web buy macbeth the graphic novel plain text british english by william shakespeare clive bryant jon haward gary erskine john mcdonald karen wenborn nigel doobyn jo wheeler isbn 8601406463301 from amazon s book store free uk delivery on

**macbeth the graphic novel original text version** - Jun 13 2023

web macbeth act 1 act 2 act 3 act 4 act 5 william shakespeare the real macbeth macbeth the kings of scotland the history of shakespeare s macbeth page creation shakespeare around the globe shakespeare today

*macbeth graphic novels paperbacks classical comics* - Jan 08 2023

web plain text macbeth is available in 3 versions choose the text version to suit your reading level click here to view an original text page more information free downloads by william shakespeare script adaptation john mcdonald pencils inks jon haward inking assistant gary erskine

macbeth the graphic novel plain text classical comics - Dec 07 2022

web macbeth the graphic novel plain text classical comics shakespeare william amazon com tr

*macbeth the graphic novel plain text kindle edition* - Dec 27 2021

web shakespeare s entire play translated into plain english now a graphic novel ebook with panel magnification ideal for any reader who may find shakespeare s language rather cryptic coupled with stunning artwork this kindle edition lets you fully understand and appreciate one of shakespeare s most famous plays

**illustrated classics macbeth free download borrow and** - Apr 11 2023

web jul 29 2016 illustrated classics macbeth topics comic william shakespeare collection comics inbox comics additional collections language english saddleback s illustrated classics william shakespeare s hamlet saddleback educational publishing

**macbeth the graphic novel american english original text** - Apr 30 2022

web nov 5 2008 macbeth the graphic novel american english original text edition classical comics john mcdonald william shakespeare clive bryant jon haward gary erskine nigel doobyn joe sutliff sanders jo wheeler on amazon com free shipping on qualifying offers

*editions of macbeth the graphic novel plain text by john* - Feb 26 2022

web editions for macbeth the graphic novel plain text kindle edition published in 2013 kindle edition published in 2013

1533596778 paperback publis

*macbeth the graphic novel plain text british english abebooks* - Nov 06 2022

web macbeth the graphic novel plain text british english by william shakespeare at abebooks co uk isbn 10 1906332045 isbn 13 9781906332044 classical comics 2008 softcover

macbeth the graphic novel plain text paperback - Sep 04 2022

web witches murder ghosts and madness one of shakespeare s finest tragedies is also a perfect fit for the graphic novel format this compelling adaptation depicts every blood curdling scene in easy to follow illustrations accompanied by shakespeare s original text

macbeth the graphic novel plain text goodreads - Jul 14 2023

web nov 5 2008 this series classical comics has three different versions of the classics in this case macbeth the original text a plain text translated into modern english and an even more simplified quick text that reduces the original to a kind of shell and illustrates the story that makes the plot a kind of shell a useful shell for the lost

macbeth archives classical comics - Jun 01 2022

web us editions choose the text version to match your reading level original text the entire play lexile measure gn700l plain text the entire play in modern u s english lexile measure gn580l quick text the entire play with less dialogue lexile measure gn280l each full color graphic novel features comic book style illustrations

**macbeth the graphic novel plain text apple books** - Oct 05 2022

web sep 1 2013 macbeth the graphic novel plain text on apple books macbeth the graphic novel plain text william shakespeare 3 5 20 ratings 8 99 publisher description shakespeare s entire play translated into plain english this full colour graphic novel is ideal for any reader who may find shakespeare s language rather cryptic

*macbeth the graphic novel plain text version open library* - Feb 09 2023

web dec 4 2022 macbeth the graphic novel plain text version by john mcdonald and william shakespeare 0 ratings 8 want to read 0 currently reading 0 have read this edition doesn t have a description yet can you add one publish date 2008 publisher classical comics subjects

**the pilgrim s progress wikipedia** - Jun 16 2023

the pilgrim s progress from this world to that which is to come is a 1678 christian allegory written by john bunyan it is regarded as one of the most significant works of theological fiction in english literature and a progenitor of the narrative aspect of christian media

**the pilgrim s progress summary legacy facts britannica** - Sep 07 2022

the pilgrim s progress religious allegory in two parts 1678 and 1684 by the english writer john bunyan a symbolic vision of

the good man s pilgrimage through life it was at one time second only to the bible in popularity and is the most famous christian allegory still in print

*the pilgrim s progress an illustrated christian classic* - Jan 11 2023

nov 12 2019 the pilgrim s progress has inspired readers across the centuries to persevere in their faith for longstanding fans of bunyan s tale or for those encountering it for the first time this illustrated edition offers new beauty and insight with striking hand painted

*the pilgrim s progress illustrated christian classics series* - Dec 10 2022

apr 1 1992 buy the pilgrim s progress illustrated christian classics series by bunyan john isbn 9781557482761 from amazon s book store everyday low prices and free delivery on eligible orders the pilgrim s progress illustrated christian classics series amazon co uk bunyan john 9781557482761 books

**the pilgrim s progress an illustrated christian classic ebook** - May 15 2023

the pilgrim s progress has inspired readers across the centuries to persevere in their faith for longstanding fans of bunyan s tale or for those encountering it for the first time this illustrated edition offers new beauty and insight with striking hand painted illustrations and enlightening commentary for all ages

*the pilgrim s progress an illustrated christian classic* - Sep 19 2023

nov 12 2019 the pilgrim s progress an illustrated christian classic bunyan john on amazon com free shipping on qualifying offers

**the pilgrim s progress illustrated edition christianbook com** - Nov 09 2022

product description the pilgrim s progress is a classic inspirational allegory of the christian life that follows christian as he journeys from the city of destruction via the slough of despond the hill of difficulty the valley of the shadow of death and vanity fair over the river of the water of life and finally into the celestial city

*christian character analysis in the pilgrim s progress litcharts* - Jan 31 2022

christian is christiana s husband and the protagonist of the story he is an everyman character in other words he s an ordinary stock character with whom a broad audience is expected to identify as such and like most of the characters in pilgrim s progress he doesn t have strong distinguishing characteristics

*10 things you should know about the pilgrim s progress* - Jul 05 2022

oct 1 2019 the pilgrim s progress has nearly always been printed as an illustrated book it is a tribute to the power of bunyan s book on readers imaginations that although it was not intended to be an illustrated book it is nearly always printed with illustrations

**the pilgrim s progress desiring god** - Jun 04 2022

ee book that became known to posterity as the pilgrim s progress is a christian classic whose importance is impossi ble to overstate for more than two centuries after its nrst publication the pilgrim s progress ranked just behind the king james bible as the most important book in evangelical protestant households

**pdf the pilgrim s progress by john bunyan ebook perlego** - Apr 02 2022

when the pilgrim s progress was published in 1678 it was an immediate hit three editions were released within its first year and one hundred thousand copies were sold by the fifteen year mark it became a must read book for christians in america and england in the following centuries and is still considered the most popular written work of the christian world

**the pilgrim s progress both parts and with original illustrations** - May 03 2022

oct 3 2011 many editions of john bunyan s pilgrim s progress only have the first half which follows the journey of christian written c 1678 they omit the second part written c 1684 where christian s wife christiana follows her husband

**the pilgrim s progress an illustrated christian classic** - Aug 18 2023

nov 12 2019 the pilgrim s progress has inspired readers across the centuries to persevere in their faith for longstanding fans of bunyan s tale or for those encountering it for the first time this illustrated edition offers new beauty and insight with striking hand painted illustrations and enlightening commentary for all ages

**the pilgrim s progress christian books moody publishers** - Oct 08 2022

one of the most widely read books of all time this adventure reveals john bunyan s intense grasp of the scriptures penned while in prison for refusing to compromise the gospel the pilgrim s progress is a guide for the journey from death to life the times have changed but the landmarks and adversaries are very much the same

**the pilgrim s progress store truth for life** - Mar 01 2022

perhaps the most vivid portrayal of the christian s journey on the road to eternity is the classic masterpiece the pilgrim s progress loved by generations the pilgrim s progress takes us on a memorable adventure alongside christian as he navigates difficulty danger and temptation in search of the place that promises no death and the

the pilgrim s progress an illustrated christian classic bunyan - Feb 12 2023

the pilgrim s progress has inspired readers across the centuries to persevere in their faith for longstanding fans of bunyan s tale or for those encountering it for the first time this illustrated edition offers new beauty and insight with striking hand painted illustrations and enlightening commentary for all ages inside you ll find

**pilgrim s progress an illustrated christian classic manna** - Aug 06 2022

striking hand painted illustrations and enlightening commentary bring this masterpiece to life penned from bunyan s jail cell the pilgrim s progress evocatively depicts a story of struggle perseverance and faith with annotations and art throughout this edition invites you to discover anew the richness and nuance of this beloved classic

the pilgrim s progress an illustrated christian classic - Jul 17 2023

the pilgrim s progress has inspired readers across the centuries to persevere in their faith for longstanding fans of bunyan s tale or for those encountering it for the first time this illustrated edition offers new beauty and insight with striking hand painted illustrations and enlightening commentary for all ages

**the pilgrim s progress an illustrated christian classic bookshop** - Mar 13 2023

the pilgrim s progress has inspired readers across the centuries to persevere in their faith for longstanding fans of bunyan s tale or for those encountering it for the first time this illustrated edition offers new beauty and insight with striking hand painted illustrations and enlightening commentary for all ages

**the pilgrim s progress illustrated christian classics series** - Apr 14 2023

hardcover april 1 1992 the pilgrim s progress tells the story of a man named christian pursuing his pilgrimage through vanity fair the slough of despond and the delectable mountains on his path towards the celestial city and is