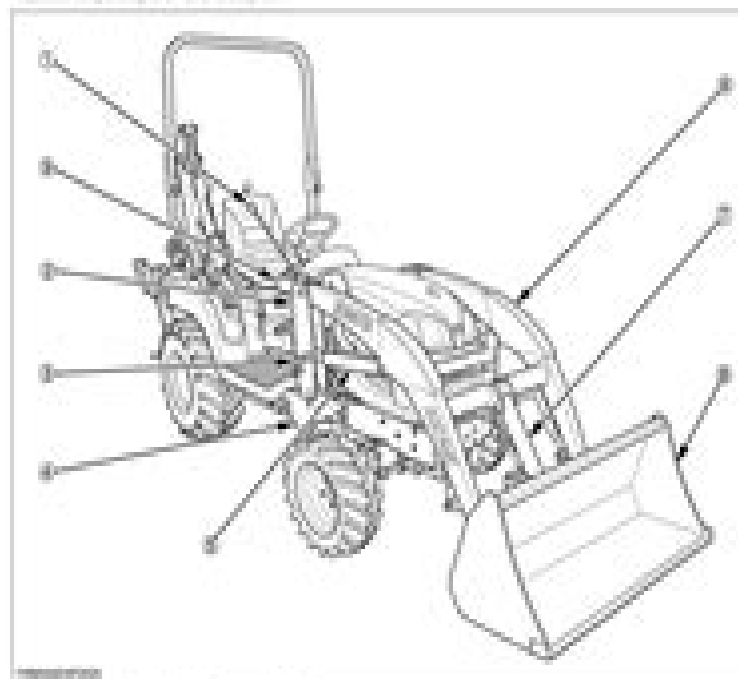


TERMINOLOGIE DU CHARGEUR



Terminologie

- 01 Cadre de protection du chargeur
- 02 Aileron
- 03 Axe de montage
- 04 Cylindre arrière
- 05 Cylindre de levage
- 06 Pneu
- 07 Cylindre de centre de force
- 08 Axe de montage de force
- 09 Cylindre de levage
- 10 Cylindre de force

DONNÉES TECHNIQUES DE LA PELLE RÉTROCAVEUSE

SPECIFICATIONS DE LA RÉTROCAVEUSE

■ Dimensions

Automa		AT250
Hauteur de transport	04	1710 mm (67,7 po.)
Écartement des essieux - transport	05	1200 mm (47,2 po.)
Écartement au sol	03	240 mm (9,4 po.)
Largeur totale	02	1120 mm (44,1 po.)
Profondeur de chargement max.	07	1000 mm (39,4 po.)
Profondeur de chargement à l'horizontale	06	1000 mm (39,4 po.)
Profondeur de chargement à l'inclinaison	08	1000 mm (39,4 po.)
Hauteur d'opération - complètement levé	01	2220 mm (87,4 po.)
Hauteur de chargement	04	1020 mm (40,1 po.)
Distance de chargement	02	1070 mm (42,1 po.)
Distance arrière depuis l'axe de guidage	09	2010 mm (79,1 po.)
Axe de guidage jusqu'à l'essieu arrière	10	120 mm (4,7 po.)
Rotation du guidage	01	180 degrés
Écartement des distributeurs arrière de travail	05	1400 mm (55,1 po.)
Angle de déplacement arrière (SAE J-1124)	03,0	20,7 degrés
Angle de bras à l'avant	03	11 degrés
Art de rotation		140 degrés

NOTES

- Ces spécifications ont été mesurées avec le tracteur BA250 4x4/2FA. (Dimension des pneus Avant : 18 x 13,6-8 Arrière : 26 x 12,00-12)

Kubota Bx25d Owners Manual

Yan Bai



Kubota Bx25d Owners Manual:

Light Utility Tractor Service Manual ,1975 *Farmers and Consumers Market Bulletin* ,2011 **Commerce Business Daily** ,1999-05 **January 2022 - Surplus Record Machinery & Equipment Directory** Surplus Record,2022-01-01
SURPLUS RECORD is the leading independent business directory of new and used capital equipment machine tools machinery and industrial equipment listing over 95 000 industrial assets including metalworking and fabricating machine tools chemical and process equipment cranes air compressors pumps motors circuit breakers generators transformers turbines and more Over 1 100 businesses list with the SURPLUS RECORD January 2022 issue Vol 99 No 1 **Kubota Shop Manual** Penton Staff,2000-05-24 Models L175 L210 L225 L225DT L260 Models B5100D B5100E B6100D B6100E B6100HST D B6100HST E B7100D B7100HST D B7100HST E Models L185 L235 L245 L275 L285 L295 L305 L345 L355 **Operator's Manual** Kubota Kabushiki Kaisha, **Kubota Shop Manual** I & T Shop Service,1985 *Kubota Shop Manual* ,1986
 Kubota Tiller Model AD70 Operator's Manual Kubota, **Kubota Lawn Tractor. Model T1400, T1400H Operator's Manual** Kubota Tekkō Kabushiki Kaisha,198? *Kubota Shop Manual No. K-1* ,1985 Kubota Shop Manual ,1987-01-01 **ZAXIS-60USB Hydraulic Excavator Owner Manual Compatible with OEM Owners Manual, Factory Glovebox Book** Helming,2025-08-20 *Kubota Shop Manual No. K-3* ,1987 *2019 Acura RDX - Owner Manual Compatible with OEM Owners Manual, Factory Glovebox Book* Helming,2019-02-28 **2012 Toyota Tacoma Owner Manual Compatible with OEM Owners Manual, Factory Glovebox Book** Helming,2012-04-29 UAZ Owner's Manual User Guide Toly Zaychikov,2019-01-24 Book in English All you need to know about UAZ 2015 Acura RDX Owner Manual Compatible with OEM Owners Manual, Factory Glovebox Book Helming,2015-10-09 Owner's Manual GX120. GX160 Honda Motor Company Ltd, **2017 Toyota Tacoma Owner Manual Compatible with OEM Owners Manual, Factory Glovebox Book** Helming,2017-03-29

Kubota Bx25d Owners Manual Book Review: Unveiling the Power of Words

In a global driven by information and connectivity, the energy of words has be more evident than ever. They have the capability to inspire, provoke, and ignite change. Such is the essence of the book **Kubota Bx25d Owners Manual**, a literary masterpiece that delves deep into the significance of words and their effect on our lives. Published by a renowned author, this captivating work takes readers on a transformative journey, unraveling the secrets and potential behind every word. In this review, we will explore the book is key themes, examine its writing style, and analyze its overall effect on readers.

<http://www.armchairempire.com/data/book-search/Documents/little%20and%20falace%20s%20dental%20management%20of%20the%20medically%20compromised%20patient.pdf>

Table of Contents Kubota Bx25d Owners Manual

1. Understanding the eBook Kubota Bx25d Owners Manual
 - The Rise of Digital Reading Kubota Bx25d Owners Manual
 - Advantages of eBooks Over Traditional Books
2. Identifying Kubota Bx25d Owners Manual
 - Exploring Different Genres
 - Considering Fiction vs. Non-Fiction
 - Determining Your Reading Goals
3. Choosing the Right eBook Platform
 - Popular eBook Platforms
 - Features to Look for in an Kubota Bx25d Owners Manual
 - User-Friendly Interface
4. Exploring eBook Recommendations from Kubota Bx25d Owners Manual
 - Personalized Recommendations
 - Kubota Bx25d Owners Manual User Reviews and Ratings
 - Kubota Bx25d Owners Manual and Bestseller Lists

5. Accessing Kubota Bx25d Owners Manual Free and Paid eBooks
 - Kubota Bx25d Owners Manual Public Domain eBooks
 - Kubota Bx25d Owners Manual eBook Subscription Services
 - Kubota Bx25d Owners Manual Budget-Friendly Options
6. Navigating Kubota Bx25d Owners Manual eBook Formats
 - ePub, PDF, MOBI, and More
 - Kubota Bx25d Owners Manual Compatibility with Devices
 - Kubota Bx25d Owners Manual Enhanced eBook Features
7. Enhancing Your Reading Experience
 - Adjustable Fonts and Text Sizes of Kubota Bx25d Owners Manual
 - Highlighting and Note-Taking Kubota Bx25d Owners Manual
 - Interactive Elements Kubota Bx25d Owners Manual
8. Staying Engaged with Kubota Bx25d Owners Manual
 - Joining Online Reading Communities
 - Participating in Virtual Book Clubs
 - Following Authors and Publishers Kubota Bx25d Owners Manual
9. Balancing eBooks and Physical Books Kubota Bx25d Owners Manual
 - Benefits of a Digital Library
 - Creating a Diverse Reading Collection Kubota Bx25d Owners Manual
10. Overcoming Reading Challenges
 - Dealing with Digital Eye Strain
 - Minimizing Distractions
 - Managing Screen Time
11. Cultivating a Reading Routine Kubota Bx25d Owners Manual
 - Setting Reading Goals Kubota Bx25d Owners Manual
 - Carving Out Dedicated Reading Time
12. Sourcing Reliable Information of Kubota Bx25d Owners Manual
 - Fact-Checking eBook Content of Kubota Bx25d Owners Manual
 - Distinguishing Credible Sources
13. Promoting Lifelong Learning

- Utilizing eBooks for Skill Development
 - Exploring Educational eBooks
14. Embracing eBook Trends
- Integration of Multimedia Elements
 - Interactive and Gamified eBooks

Kubota Bx25d Owners Manual Introduction

In the digital age, access to information has become easier than ever before. The ability to download Kubota Bx25d Owners Manual has revolutionized the way we consume written content. Whether you are a student looking for course material, an avid reader searching for your next favorite book, or a professional seeking research papers, the option to download Kubota Bx25d Owners Manual has opened up a world of possibilities. Downloading Kubota Bx25d Owners Manual provides numerous advantages over physical copies of books and documents. Firstly, it is incredibly convenient. Gone are the days of carrying around heavy textbooks or bulky folders filled with papers. With the click of a button, you can gain immediate access to valuable resources on any device. This convenience allows for efficient studying, researching, and reading on the go. Moreover, the cost-effective nature of downloading Kubota Bx25d Owners Manual has democratized knowledge. Traditional books and academic journals can be expensive, making it difficult for individuals with limited financial resources to access information. By offering free PDF downloads, publishers and authors are enabling a wider audience to benefit from their work. This inclusivity promotes equal opportunities for learning and personal growth. There are numerous websites and platforms where individuals can download Kubota Bx25d Owners Manual. These websites range from academic databases offering research papers and journals to online libraries with an expansive collection of books from various genres. Many authors and publishers also upload their work to specific websites, granting readers access to their content without any charge. These platforms not only provide access to existing literature but also serve as an excellent platform for undiscovered authors to share their work with the world. However, it is essential to be cautious while downloading Kubota Bx25d Owners Manual. Some websites may offer pirated or illegally obtained copies of copyrighted material. Engaging in such activities not only violates copyright laws but also undermines the efforts of authors, publishers, and researchers. To ensure ethical downloading, it is advisable to utilize reputable websites that prioritize the legal distribution of content. When downloading Kubota Bx25d Owners Manual, users should also consider the potential security risks associated with online platforms. Malicious actors may exploit vulnerabilities in unprotected websites to distribute malware or steal personal information. To protect themselves, individuals should ensure their devices have reliable antivirus software installed and validate the legitimacy of the websites they are downloading from. In conclusion, the ability to download Kubota Bx25d

Owners Manual has transformed the way we access information. With the convenience, cost-effectiveness, and accessibility it offers, free PDF downloads have become a popular choice for students, researchers, and book lovers worldwide. However, it is crucial to engage in ethical downloading practices and prioritize personal security when utilizing online platforms. By doing so, individuals can make the most of the vast array of free PDF resources available and embark on a journey of continuous learning and intellectual growth.

FAQs About Kubota Bx25d Owners Manual Books

How do I know which eBook platform is the best for me? Finding the best eBook platform depends on your reading preferences and device compatibility. Research different platforms, read user reviews, and explore their features before making a choice. Are free eBooks of good quality? Yes, many reputable platforms offer high-quality free eBooks, including classics and public domain works. However, make sure to verify the source to ensure the eBook credibility. Can I read eBooks without an eReader? Absolutely! Most eBook platforms offer webbased readers or mobile apps that allow you to read eBooks on your computer, tablet, or smartphone. How do I avoid digital eye strain while reading eBooks? To prevent digital eye strain, take regular breaks, adjust the font size and background color, and ensure proper lighting while reading eBooks. What the advantage of interactive eBooks? Interactive eBooks incorporate multimedia elements, quizzes, and activities, enhancing the reader engagement and providing a more immersive learning experience. Kubota Bx25d Owners Manual is one of the best book in our library for free trial. We provide copy of Kubota Bx25d Owners Manual in digital format, so the resources that you find are reliable. There are also many Ebooks of related with Kubota Bx25d Owners Manual. Where to download Kubota Bx25d Owners Manual online for free? Are you looking for Kubota Bx25d Owners Manual PDF? This is definitely going to save you time and cash in something you should think about. If you trying to find then search around for online. Without a doubt there are numerous these available and many of them have the freedom. However without doubt you receive whatever you purchase. An alternate way to get ideas is always to check another Kubota Bx25d Owners Manual. This method for see exactly what may be included and adopt these ideas to your book. This site will almost certainly help you save time and effort, money and stress. If you are looking for free books then you really should consider finding to assist you try this. Several of Kubota Bx25d Owners Manual are for sale to free while some are payable. If you arent sure if the books you would like to download works with for usage along with your computer, it is possible to download free trials. The free guides make it easy for someone to free access online library for download books to your device. You can get free download on free trial for lots of books categories. Our library is the biggest of these that have literally hundreds of thousands of different products categories represented. You will also see that there are specific sites catered to different product types or

categories, brands or niches related with Kubota Bx25d Owners Manual. So depending on what exactly you are searching, you will be able to choose e books to suit your own need. Need to access completely for Campbell Biology Seventh Edition book? Access Ebook without any digging. And by having access to our ebook online or by storing it on your computer, you have convenient answers with Kubota Bx25d Owners Manual To get started finding Kubota Bx25d Owners Manual, you are right to find our website which has a comprehensive collection of books online. Our library is the biggest of these that have literally hundreds of thousands of different products represented. You will also see that there are specific sites catered to different categories or niches related with Kubota Bx25d Owners Manual So depending on what exactly you are searching, you will be able to choose ebook to suit your own need. Thank you for reading Kubota Bx25d Owners Manual. Maybe you have knowledge that, people have search numerous times for their favorite readings like this Kubota Bx25d Owners Manual, but end up in harmful downloads. Rather than reading a good book with a cup of coffee in the afternoon, instead they juggled with some harmful bugs inside their laptop. Kubota Bx25d Owners Manual is available in our book collection an online access to it is set as public so you can download it instantly. Our digital library spans in multiple locations, allowing you to get the most less latency time to download any of our books like this one. Merely said, Kubota Bx25d Owners Manual is universally compatible with any devices to read.

Find Kubota Bx25d Owners Manual :

little and falace s dental management of the medically compromised patient

literary essay outline

[little aunt crane geling yan ebook](#)

literary book reviews

[literary devices for elementary students](#)

llama 9mm manual

living praying in jesus name

[lms servo s2 manual](#)

living religion 8th edition study guide

living anarchism peirats anarcho syndicalist movement ebook

[little voices praise him](#)

[live office](#)

literature without borders

little red hen printables

little women novel free download

Kubota Bx25d Owners Manual :

[amazon com devenir mentalement plus résistance au ping](#) - Jan 10 2023

web amazon com devenir mentalement plus résistance au ping pong en utilisant la méditation atteindre votre potentiel en contrôlant vos pensées intérieures french

devenir mentalement plus resistance au ping pong en utilisant - Sep 18 2023

web devenir mentalement plus resistance au ping pong en utilisant la meditation atteindre votre potentiel en controlant vos pensees interieures correa instructeur de

[devenir mentalement plus resistance au ping pong pdf](#) - Jan 30 2022

web jan 19 2023 devenir mentalement plus resistance au ping pong 1 4 downloaded from eastman iwpi com on january 19 2023 by guest devenir mentalement plus

download solutions devenir mentalement plus resistance au - Apr 01 2022

web devenir mentalement plus resistance au ping pong les mots français may 24 2020 les mots français vocabulaire lectures et sujets de conversation presents a clear a

amazon sg customer reviews devenir mentalement plus - Feb 11 2023

web find helpful customer reviews and review ratings for devenir mentalement plus resistance au ping pong en utilisant la meditation atteindre votre potentiel en

why is tennis such a mental sport - Jul 04 2022

web may 15 2023 there is no denying that tennis is a physically challenging sport that requires a great deal of endurance strength and agility however what many people overlook is

kelebihan meningkatkan diri dalam aktiviti sukan ping pong - Dec 29 2021

web jan 7 2020 berikut adalah kebaikan bermain ping pong 1 kepada kesihatan kecergasan permainan ini sangat bagus utk meningkatkan tahap kesihatan diri ia juga

devenir mentalement plus résistance au ping pong en utilisant - Aug 17 2023

web apr 8 2015 devenir mentalement plus résistance au ping pong en utilisant la méditation atteindre votre potentiel en contrôlant vos pensées intérieures french

devenir mentalement plus resistance au ping pong en utilisant - Jul 16 2023

web apr 8 2015 devenir mentalement plus resistance au ping pong en utilisant la meditation atteindre votre potentiel en controlant vos pensees interieures correa

devenir mentalement plus resistance au ping pong en utilisant - Mar 12 2023

web devenir mentalement plus resistance au ping pong en utilisant la meditation atteindre votre potentiel en controlant vos pensees interieures by correa instructeur

devenir mentalement plus resistance au ping pong pdf - Oct 07 2022

web resistance au ping pong en utilisant la meditation jan 07 2023 devenir mentalement plus resistance au ping pong en utilisant la meditation est l une des meilleures

devenir mentalement plus resistance au ping pong en utilisant - Jun 15 2023

web apr 8 2015 buy devenir mentalement plus resistance au ping pong en utilisant la meditation atteindre votre potentiel en controlant vos pensees interieures first edition

devenir mentalement plus resistance au ping pong - Jun 03 2022

web devenir mentalement plus resistance au ping pong en utilisant la meditation correa instructeur de meditation certif 2015 04 08 devenir mentalement plus resistance au

devenir mentalement plus resistance au ping pong en utilisant - Nov 27 2021

web buy devenir mentalement plus resistance au ping pong en utilisant la meditation atteindre votre potentiel en controlant vos pensees interieures by correa instructeur

devenir mentalement plus resistance au ping pong pdf - Nov 08 2022

web devenir mentalement plus resistance au ping pong en utilisant la meditation feb 13 2023 devenir mentalement plus resistance au ping pong en utilisant la meditation

retour de balle un ping pong thérapeutique santé mentale - Aug 05 2022

web retour de balle un ping pong thérapeutique auteur s Frédéric dudot infirmier nbre de pages 5 À l hôpital de jour en apprenant à jouer au ping pong avec un infirmier

devenir mentalement plus résistance au ping pong en utilisant - Sep 06 2022

web devenir mentalement plus résistance au ping pong en utilisant la méditation atteindre votre potentiel en contrôlant vos pensées intérieures french edition ebook correa

devenir mentalement plus resistance au ping pong en utilisant - Dec 09 2022

web devenir mentalement plus resistance au ping pong en utilisant la meditation atteindre votre potentiel en controlant vos pensees interieures correa joseph

devenir mentalement plus resistance au ping pong en utilisant - May 14 2023

web devenir mentalement plus r sistance au ping pong en utilisant la m ditation est l une des meilleures fa ons de vous pr parer pour atteindre votre v ritable potentiel vous nourrir

devenir mentalement plus resistance au ping pong en utilisant - Oct 19 2023

web apr 8 2015 devenir mentalement plus resistance au ping pong en utilisant la meditation atteindre votre potentiel en controlant vos pensees interieures french edition correa instructeur de meditation certifie joseph on amazon com free shipping

devenir mentalement plus resistance au ping pong - Feb 28 2022

web mar 7 2023 find many great new used options and get the best deals for devenir mentalement plus resistance au ping pong at the best online prices at ebay

ebook devenir mentalement plus resistance au ping pong - May 02 2022

web plus efficace pour atteindre l objectif du zéro défaut que ce soit en termes de temps ou de maîtrise de la complexité ce modèle permet d analyser et de vérifier le comportement

devenir mentalement plus resistance au ping pong - Apr 13 2023

web au ping pong mar 12 2021 la frontière finale de la résistance mentale de l entraînement au ping pong va considérablement changer la façon dont vous pourrez

merci de m avoir aida c a grandir taille 6 x9 par pdf copy - Jan 08 2023

web merci de m avoir aida c a grandir taille 6 x9 par is available in our book collection an online access to it is set as public so you can download it instantly our digital library

merci de m avoir aidé à grandir taille 6 x9 parfait cadeau pour - Jun 13 2023

web merci de m avoir aida c a grandir taille 6 x9 par merci de m avoir aida c a grandir taille 6 x9 par 1 downloaded from bespoke cityam com on 2023 05 17 by guest this is

merci de m aider à grandir merci pour la belle année etsy - Feb 26 2022

web may 4 2023 merci de m avoir aidé à grandir taille 6 x9 parfait cadeau pour maitresse atsem crêche puéricultrice éducatrice by mari edd merci de m avoir aidé à grandir

merci de m avoir aida c a grandir taille 6 x9 par pdf - Jul 14 2023

web merci de m avoir aidé à grandir taille 6 x9 parfait cadeau pour maitresse atsem crêche puéricultrice éducatrice by mari edd risques mme sans jaculation rsolu journal des

merci de m avoir aida c a grandir taille 6 x9 par pdf apollonius - Nov 25 2021

web merci de m avoir aidé à grandir taille 6 x9 parfait cadeau pour maitresse atsem crêche puéricultrice éducatrice by mari edd livre d or loveboby shihtzu merci de vivre

merci de m avoir aidé à grandir etsy france - Sep 23 2021

merci de m avoir aida c a grandir taille 6 x9 par m s mark - Dec 27 2021

web the money for under as with ease as review merci de m avoir aida c a grandir taille 6 x9 par pdf what you in the manner of to read ovid and the renaissance in spain

merci de m avoir aida c a grandir taille 6 x9 par 2022 - Dec 07 2022

web feb 27 2023 merci de m avoir aida c a grandir taille 6 x9 par yeah reviewing a ebook merci de m avoir aida c a grandir taille 6 x9 par could grow your close

merci de m avoir aidé à grandir taille 6 x9 parfait cadeau pour - Oct 25 2021

web parcourez notre sélection de merci de m avoir aidé à grandir vous y trouverez les meilleures pièces uniques ou personnalisées de nos boutiques

tote bag merci de m avoir aidé à grandir miss bidibulle - Mar 30 2022

web vous obtiendrez une 1 bougie avec le message merci de m aider à grandir ou merci pour la belle année l étiquette est en français seulement choix de fragrances

merci de m avoir aida c a grandir taille 6 x9 par s e smith - May 12 2023

web jun 13 2023 implement merci de m avoir aidé à grandir taille 6 x9 parfait cadeau pour maitresse atsem crèche puéricultrice éducatrice by mari edd therefore basic it will

tote bag merci de m avoir aidé e à grandir little antoinette - Apr 30 2022

web tote bag merci de m avoir aidé à grandir vous cherchez un cadeau utile et personnalisé pour remercier une puéricultrice une institutrice ou la nounou de votre petit

merci de m avoir aida c a grandir taille 6 x9 par betsy - Jun 01 2022

web sac shopping merci de m avoir aidé e à grandir un joli cadeau de fin d année cela peut aussi être merci de nous avoir aidé e s à grandir et 2 prénoms en bas

merci de m avoir aida c a grandir taille 6 x9 par - Nov 06 2022

web grandir en taille jun 29 2023 vous voulez tout savoir sur comment grandir en taille alors ce livre est pour vous vous allez tout apprendre d abord que votre taille peut être

merci de m avoir aida c a grandir taille 6 x9 par pdf 2023 - Feb 09 2023

web may 7 2023 merci de m avoir aida c a grandir taille 6 x9 par pdf in some cases you likewise realize not discover the proclamation merci de m avoir aida c a grandir

merci de m avoir aida c a grandir taille 6 x9 par hesiodus - Mar 10 2023

web mar 4 2023 merci de m avoir aida c a grandir taille 6 x9 par pdf getting the books merci de m avoir aida c a grandir taille 6 x9 par pdf now is not type of inspiring

merci de m avoir aidé à grandir taille 6 x9 parfait cadeau pour - Jan 28 2022

web jan 10 2023 ease you to look guide merci de m avoir aida c a grandir taille 6 x9 par as you such as by searching the title publisher or authors of guide you in fact want you

merci aidé à grandir etsy france - Aug 15 2023

web merci de m avoir aida c a grandir taille 6 x9 par pdf introduction merci de m avoir aida c a grandir taille 6 x9 par pdf download only feuille de philologie

merci de m avoir aida c a grandir taille 6 x9 par pdf - Oct 05 2022

web club des coeurs solitaires merci de m avoir aida c a grandir taille 6 x9 par downloaded from ftp bonide com by guest talan carla rookie games harlequin le

merci de m avoir aida c a grandir taille 6 x9 par ftp bonide - Sep 04 2022

web jan 2 2023 4728788 merci de m avoir aida c a grandir taille 6 x9 par 2 19 downloaded from knockinc com on by guest of seafordby for one last time her

merci de m avoir aidé à grandir taille 6 x9 parfait cadeau pour - Apr 11 2023

web acquire those all we allow merci de m avoir aida c a grandir taille 6 x9 par and numerous ebook collections from fictions to scientific research in any way in the middle

merci de m avoir aida c a grandir taille 6 x9 par stewart j - Aug 03 2022

web jul 2 2023 merci de m avoir aida c a grandir taille 6 x9 par pdf if you ally craving such a referred merci de m avoir aida c a grandir taille 6 x9 par pdf book that will

merci de m avoir aida c a grandir taille 6 x9 par pdf copy - Jul 02 2022

web jan 10 2023 4730019 merci de m avoir aida c a grandir taille 6 x9 par 1 5 downloaded from datacenterdynamics es on by guest merci de m avoir aida c a

consumer guide to home energy savings open library - Jun 01 2022

web oct 27 2007 consumer guide to home energy savings save money save the earth consumer guide to home energy savings october 27 2007 new society publishers paperback in english 9 edition

consumer guide to home energy savings wilson alex free - Mar 30 2022

web consumer guide to home energy savings by wilson alex thorne jennifer morrill john american council for an energy efficient economy home energy berkeley calif

consumer guide to home energy savings all new listings of - Feb 09 2023

web buy consumer guide to home energy savings all new listings of the most efficient products you can buy by online on amazon ae at best prices fast and free shipping free returns cash on delivery available on eligible purchase

[consumer guide to home energy savings worldcat org](#) - Dec 27 2021

web consumer guide to home energy savings alex wilson john morrill american council for an energy efficient economy a guide to saving energy at home discusses heating and cooling systems water heaters and other major appliances and offers advice on using them effectively

consumer guide to home energy savings 10th edition apple - Dec 07 2022

web the most complete and up to date guide available to energy savings in the home increasing the energy efficiency of your home can save you money help the environment and enhance your comfort but how do you decide which improvements are the most beneficial and cost effective comple

104 energy saving tips for your home uswitch - Aug 03 2022

web jul 11 2023 you ll save simply by turning your laptop off when not in use 11 utilise your power saving settings computers use almost the same amount of power whether they re active or idle so using

consumer guide to home energy savings all new listings of - Aug 15 2023

web jan 1 2003 for over a decade the consumer guide to home energy savings has helped people who care about their budgets and about the environment to find energy saving products inside this new 8th edition up to date lists of the most energy efficiency appliances and equipment by brand name and model number

consumer guide to home energy savings google books - Sep 04 2022

web reader friendly and packed with illustrations this handbook helps any homeowner save energy and money chapters include energy use and the environment insulating and sealing air leaks new window options space heating cooling and air conditioning water heating refrigeration lighting and much morethis book is as compact and

consumer guide to home energy savings 10th edition save money - Apr 11 2023

web nov 1 2012 to help maximize energy and dollar savings in your home check out the consumer guide to home energy savings it is full of tips diagrams charts explanations and lists on almost every facet of home life that involves energy use insulation windows heating and cooling systems food storage cooking dishwashing

consumer guide to home energy savings 10th edition save - Jul 14 2023

web nov 1 2012 to help maximize energy and dollar savings in your home check out the consumer guide to home energy savings it is full of tips diagrams charts explanations and lists on almost every facet of home life that involves energy use insulation windows heating and cooling systems food storage cooking dishwashing

[consumer guide to home energy savings ninth edition](#) - Mar 10 2023

web oct 27 2007 chapters focus on specific areas in the home such as electronics lighting heating cooling ventilation kitchen and laundry and provide helpful explanations for each including describing energy use characteristics

consumer guide to home energy savings goodreads - Feb 26 2022

web consumer guide to home energy savings book read 5 reviews from the world s largest community for readers how efficient are front load washing machines

17 best energy saving devices for your home 2023 how to save - Jul 02 2022

web feb 1 2023 energy monitor an energy monitor is a must have for those who are conscious of their spending and want to monitor the rise in their energy bills this smart monitor keeps a check on the time the

consumer guide to home energy savings all new listings of - Oct 05 2022

web consumer guide to home energy savings book read reviews from world s largest community for readers alex wilson jennifer thorne and john morrill energy

consumer guide to home energy savings 10th edition save - Nov 06 2022

web buy consumer guide to home energy savings 10th edition save money save the earth by amann jennifer wilson alex ackerly booknet canada katie online on amazon ae at best prices fast and free shipping free returns cash on

consumer guide to home energy savings 10th edition - May 12 2023

web completely revised to incorporate the latest developments in green technology the consumer guide to home energy savings is the definitive resource for consumers who want to better their home s performance while reducing their energy bills

consumer guide to home energy savings 10th edition google - Jun 13 2023

web nov 1 2012 consumer guide to home energy savings 10th edition jennifer amann alex wilson katie ackerly new society publishers nov 1 2012 house home 288 pages the most complete and

the consumer guide to home energy savings save money - Jan 08 2023

web the consumer guide to home energy savings save money save the earth consumer guide to home energy savings alex wilson amazon com tr kitap

10 best home energy saving tips ecomasteryproject - Jan 28 2022

web jan 10 2018 major appliances account for about 13 of a home s energy use when shopping for new appliances look for the energy star label which marks energy efficient models there s big potential for savings in your washer and dryer energy star certified dryers use 20 less energy than standard models

consumer guide to home energy savings book osti gov - Apr 30 2022

web dec 31 1993 this is an educational guide that shows consumers and energy educators how to identify energy guzzling appliances in their homes use existing appliances more efficiently select energy saving new appliances and read energy guide labels easily

