

OPERATOR'S MANUAL  
**KUBOTA DIESEL ENGINE**

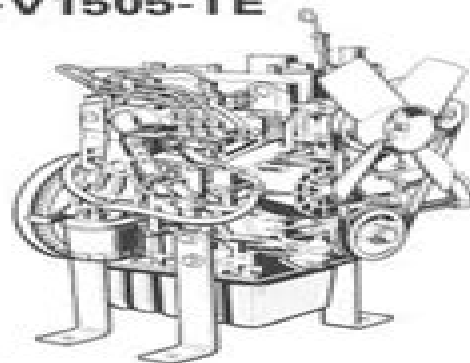
MANUEL DE L'OPERATEUR  
**MOTEUR DIESEL DE KUBOTA**

BEDIENUNGSANLEITUNG  
**KUBOTA DIESEL MOTOR**

MANUALE DELL'OPERATORE  
**KUBOTA MOTORE DIESEL**

MANUAL DEL OPERADOR  
**MOTOR DIESEL KUBOTA**

D905-E-D1105-TE-V1305-E  
D1005-E-V1205-E-V1505-E  
D1105-E-V1205-TE-V1505-TE



*READ AND SAVE THIS BOOK  
MANUEL A LIRE ET A CONSERVER  
DIESE ANLEITUNG SORGFALTIG DURCHLESEN  
UND GRIFFBEREIT AUFBEWAHREN  
LEGGETE E CONSERVATE QUESTO MANUALE  
LEAN Y CONSERVEN ESTE MANUAL*

**Kubota**

ENGLISH

FRANÇAIS

DEUTSCH

ITALIANO

ESPAÑOL

# Kubota D905e Engine Service Manual

**Isuzu Jidōsha Kabushiki Kaisha, Isuzu  
Motors**



## **Kubota D905e Engine Service Manual:**

*Workshop Manual, Kubota Diesel Engines* ,198?      **Engine Service Manual** O and R Engines, Incorporated,1969      **L**  
**Type Diesel Engine Repair Manual** ,1980      *Industrial Engine Service Manual for 2700 Range Engines* Ford Motor  
Company of Australia. Parts and Service Office,197?      **L Type Diesel Engine Repair Manual** Toyota Jidōsha Hanbai  
Kabushiki Kaisha,1982      **Small Engines Service Manual** ,1969      *Workshop Manual for the Isuzu Diesel Engine* Isuzu  
Jidōsha Kabushiki Kaisha,Isuzu Motors,1971      **Aerojet Engine Service Manual** Aerojet-General Corporation,195?  
*Industrial Engine Service Manual* Ford Motor Company. Parts Division,1957\*      *Service Manual* Caterpillar Tractor  
Company,1979      **Small Engines Service Manual. V.1** ,      *Small Engines Service Manual* Implement and Tractor  
Publications, Inc,1954      **Service Manual, Disassembly and Assembly** ,197?      **Small Engines Service Manual** ,1961  
**2-cycle Engine Service Manual** Toro Company,1983      **Service Manual** Caterpillar Inc,1993      *Operator's*  
*Instruction Manual and Repair Parts List, Series "R" Engines* Hill diesel engine company,      *Isuzu Workshop Manual Diesel*  
*Engine C223 Model* ,1982 Part no C223 WE 141 This manual applies to the 1982 year and later models      **Chilton's Truck**  
**Repair Manual** Chilton Book Company. Automotive Editorial Department,1974      **Small Engines Service Manual**  
Technical Publications, Inc,1969

This Captivating Realm of Kindle Books: A Detailed Guide Revealing the Advantages of E-book Books: A World of Ease and Flexibility Kindle books, with their inherent mobility and simplicity of access, have liberated readers from the limitations of physical books. Gone are the days of carrying bulky novels or meticulously searching for specific titles in bookstores. Kindle devices, stylish and lightweight, effortlessly store an extensive library of books, allowing readers to immerse in their favorite reads anytime, everywhere. Whether commuting on a bustling train, lounging on a sunny beach, or just cozying up in bed, Kindle books provide an unparalleled level of convenience. A Reading Universe Unfolded: Exploring the Wide Array of E-book Kubota D905e Engine Service Manual Kubota D905e Engine Service Manual The E-book Store, a digital treasure trove of literary gems, boasts an wide collection of books spanning varied genres, catering to every readers preference and preference. From gripping fiction and thought-provoking non-fiction to classic classics and contemporary bestsellers, the Kindle Shop offers an exceptional variety of titles to discover. Whether looking for escape through immersive tales of fantasy and exploration, diving into the depths of historical narratives, or expanding ones understanding with insightful works of science and philosophical, the Kindle Store provides a gateway to a bookish world brimming with limitless possibilities. A Transformative Force in the Literary Landscape: The Enduring Impact of Kindle Books Kubota D905e Engine Service Manual The advent of Kindle books has unquestionably reshaped the bookish scene, introducing a paradigm shift in the way books are published, disseminated, and read. Traditional publishing houses have embraced the digital revolution, adapting their approaches to accommodate the growing need for e-books. This has led to a rise in the accessibility of E-book titles, ensuring that readers have entry to a vast array of literary works at their fingers. Moreover, Kindle books have democratized access to books, breaking down geographical limits and offering readers worldwide with similar opportunities to engage with the written word. Regardless of their place or socioeconomic background, individuals can now immerse themselves in the captivating world of books, fostering a global community of readers. Conclusion: Embracing the Kindle Experience Kubota D905e Engine Service Manual Kindle books Kubota D905e Engine Service Manual, with their inherent convenience, versatility, and vast array of titles, have unquestionably transformed the way we experience literature. They offer readers the liberty to discover the boundless realm of written expression, anytime, everywhere. As we continue to travel the ever-evolving digital landscape, E-book books stand as testament to the enduring power of storytelling, ensuring that the joy of reading remains accessible to all.

<http://www.armchairempire.com/public/publication/HomePages/Jennas%20Future%20Dr%20Jenna%20Harper%20Series%20Volume%203.pdf>

## **Table of Contents Kubota D905e Engine Service Manual**

1. Understanding the eBook Kubota D905e Engine Service Manual
  - The Rise of Digital Reading Kubota D905e Engine Service Manual
  - Advantages of eBooks Over Traditional Books
2. Identifying Kubota D905e Engine Service Manual
  - Exploring Different Genres
  - Considering Fiction vs. Non-Fiction
  - Determining Your Reading Goals
3. Choosing the Right eBook Platform
  - Popular eBook Platforms
  - Features to Look for in an Kubota D905e Engine Service Manual
  - User-Friendly Interface
4. Exploring eBook Recommendations from Kubota D905e Engine Service Manual
  - Personalized Recommendations
  - Kubota D905e Engine Service Manual User Reviews and Ratings
  - Kubota D905e Engine Service Manual and Bestseller Lists
5. Accessing Kubota D905e Engine Service Manual Free and Paid eBooks
  - Kubota D905e Engine Service Manual Public Domain eBooks
  - Kubota D905e Engine Service Manual eBook Subscription Services
  - Kubota D905e Engine Service Manual Budget-Friendly Options
6. Navigating Kubota D905e Engine Service Manual eBook Formats
  - ePub, PDF, MOBI, and More
  - Kubota D905e Engine Service Manual Compatibility with Devices
  - Kubota D905e Engine Service Manual Enhanced eBook Features
7. Enhancing Your Reading Experience
  - Adjustable Fonts and Text Sizes of Kubota D905e Engine Service Manual
  - Highlighting and Note-Taking Kubota D905e Engine Service Manual
  - Interactive Elements Kubota D905e Engine Service Manual

8. Staying Engaged with Kubota D905e Engine Service Manual
  - Joining Online Reading Communities
  - Participating in Virtual Book Clubs
  - Following Authors and Publishers Kubota D905e Engine Service Manual
9. Balancing eBooks and Physical Books Kubota D905e Engine Service Manual
  - Benefits of a Digital Library
  - Creating a Diverse Reading Collection Kubota D905e Engine Service Manual
10. Overcoming Reading Challenges
  - Dealing with Digital Eye Strain
  - Minimizing Distractions
  - Managing Screen Time
11. Cultivating a Reading Routine Kubota D905e Engine Service Manual
  - Setting Reading Goals Kubota D905e Engine Service Manual
  - Carving Out Dedicated Reading Time
12. Sourcing Reliable Information of Kubota D905e Engine Service Manual
  - Fact-Checking eBook Content of Kubota D905e Engine Service Manual
  - Distinguishing Credible Sources
13. Promoting Lifelong Learning
  - Utilizing eBooks for Skill Development
  - Exploring Educational eBooks
14. Embracing eBook Trends
  - Integration of Multimedia Elements
  - Interactive and Gamified eBooks

### **Kubota D905e Engine Service Manual Introduction**

Kubota D905e Engine Service Manual Offers over 60,000 free eBooks, including many classics that are in the public domain. Open Library: Provides access to over 1 million free eBooks, including classic literature and contemporary works. Kubota D905e Engine Service Manual Offers a vast collection of books, some of which are available for free as PDF downloads, particularly older books in the public domain. Kubota D905e Engine Service Manual : This website hosts a vast collection of scientific articles, books, and textbooks. While it operates in a legal gray area due to copyright issues, its a popular resource

for finding various publications. Internet Archive for Kubota D905e Engine Service Manual : Has an extensive collection of digital content, including books, articles, videos, and more. It has a massive library of free downloadable books. Free-eBooks Kubota D905e Engine Service Manual Offers a diverse range of free eBooks across various genres. Kubota D905e Engine Service Manual Focuses mainly on educational books, textbooks, and business books. It offers free PDF downloads for educational purposes. Kubota D905e Engine Service Manual Provides a large selection of free eBooks in different genres, which are available for download in various formats, including PDF. Finding specific Kubota D905e Engine Service Manual, especially related to Kubota D905e Engine Service Manual, might be challenging as they're often artistic creations rather than practical blueprints. However, you can explore the following steps to search for or create your own Online Searches: Look for websites, forums, or blogs dedicated to Kubota D905e Engine Service Manual, Sometimes enthusiasts share their designs or concepts in PDF format. Books and Magazines Some Kubota D905e Engine Service Manual books or magazines might include. Look for these in online stores or libraries. Remember that while Kubota D905e Engine Service Manual, sharing copyrighted material without permission is not legal. Always ensure you're either creating your own or obtaining them from legitimate sources that allow sharing and downloading. Library Check if your local library offers eBook lending services. Many libraries have digital catalogs where you can borrow Kubota D905e Engine Service Manual eBooks for free, including popular titles. Online Retailers: Websites like Amazon, Google Books, or Apple Books often sell eBooks. Sometimes, authors or publishers offer promotions or free periods for certain books. Authors Website Occasionally, authors provide excerpts or short stories for free on their websites. While this might not be the Kubota D905e Engine Service Manual full book, it can give you a taste of the author's writing style. Subscription Services Platforms like Kindle Unlimited or Scribd offer subscription-based access to a wide range of Kubota D905e Engine Service Manual eBooks, including some popular titles.

### **FAQs About Kubota D905e Engine Service Manual Books**

How do I know which eBook platform is the best for me? Finding the best eBook platform depends on your reading preferences and device compatibility. Research different platforms, read user reviews, and explore their features before making a choice. Are free eBooks of good quality? Yes, many reputable platforms offer high-quality free eBooks, including classics and public domain works. However, make sure to verify the source to ensure the eBook's credibility. Can I read eBooks without an eReader? Absolutely! Most eBook platforms offer web-based readers or mobile apps that allow you to read eBooks on your computer, tablet, or smartphone. How do I avoid digital eye strain while reading eBooks? To prevent digital eye strain, take regular breaks, adjust the font size and background color, and ensure proper lighting while reading eBooks. What's the advantage of interactive eBooks? Interactive eBooks incorporate multimedia elements, quizzes, and activities,

enhancing the reader engagement and providing a more immersive learning experience. Kubota D905e Engine Service Manual is one of the best book in our library for free trial. We provide copy of Kubota D905e Engine Service Manual in digital format, so the resources that you find are reliable. There are also many Ebooks of related with Kubota D905e Engine Service Manual. Where to download Kubota D905e Engine Service Manual online for free? Are you looking for Kubota D905e Engine Service Manual PDF? This is definitely going to save you time and cash in something you should think about. If you trying to find then search around for online. Without a doubt there are numerous these available and many of them have the freedom. However without doubt you receive whatever you purchase. An alternate way to get ideas is always to check another Kubota D905e Engine Service Manual. This method for see exactly what may be included and adopt these ideas to your book. This site will almost certainly help you save time and effort, money and stress. If you are looking for free books then you really should consider finding to assist you try this. Several of Kubota D905e Engine Service Manual are for sale to free while some are payable. If you arent sure if the books you would like to download works with for usage along with your computer, it is possible to download free trials. The free guides make it easy for someone to free access online library for download books to your device. You can get free download on free trial for lots of books categories. Our library is the biggest of these that have literally hundreds of thousands of different products categories represented. You will also see that there are specific sites catered to different product types or categories, brands or niches related with Kubota D905e Engine Service Manual. So depending on what exactly you are searching, you will be able to choose e books to suit your own need. Need to access completely for Campbell Biology Seventh Edition book? Access Ebook without any digging. And by having access to our ebook online or by storing it on your computer, you have convenient answers with Kubota D905e Engine Service Manual To get started finding Kubota D905e Engine Service Manual, you are right to find our website which has a comprehensive collection of books online. Our library is the biggest of these that have literally hundreds of thousands of different products represented. You will also see that there are specific sites catered to different categories or niches related with Kubota D905e Engine Service Manual So depending on what exactly you are searching, you will be able to choose ebook to suit your own need. Thank you for reading Kubota D905e Engine Service Manual. Maybe you have knowledge that, people have search numerous times for their favorite readings like this Kubota D905e Engine Service Manual, but end up in harmful downloads. Rather than reading a good book with a cup of coffee in the afternoon, instead they juggled with some harmful bugs inside their laptop. Kubota D905e Engine Service Manual is available in our book collection an online access to it is set as public so you can download it instantly. Our digital library spans in multiple locations, allowing you to get the most less latency time to download any of our books like this one. Merely said, Kubota D905e Engine Service Manual is universally compatible with any devices to read.



**Find Kubota D905e Engine Service Manual :**

[jennas future dr jenna harper series volume 3](#)

[jeux doors solution](#)

[jeepster commando service manual](#)

[jennifer lawrence burning bright](#)

[jlg cm2033 wiring diagram](#)

**jim owens hillbilly humor**

[jodoh itu milik kita episode 37](#)

[jesus the divine physician jesus the divine physician](#)

**jitka hanzlova cotton rose anglais**

[johannes cabal and the blustery day johannes cabal series](#)

[jeux paris ligne juridique europ en](#)

[jesus today experience hope through his presence](#)

**jerry perlets dragon stories 3 the return of the red leprechaun volume 3**

**jeu plaisirs indigo bloome**

[jenbacher engine operation manual](#)

**Kubota D905e Engine Service Manual :**

[space coloring book for kids fantastic outer space coloring](#) - Apr 09 2023

web this space coloring book is all about introducing the wonderful cosmos to those who are intrigued by space exploration and the wonders of the universe features 8 5 x 11

**amazon co uk space colouring book** - Aug 01 2022

web introducing how to learn more about space while having lots of fun discover 40 fantastic outer space coloring book for kids amazing outer space coloring

[space coloring book fantastic outer space coloring with](#) - Jan 06 2023

web with cute astronauts space ships rockets and planets this fantastic outer space coloring book is perfect for any creative kid who loves to learn color and draw it s a

**space coloring book for kids fantastic outer space coloring** - Feb 07 2023

web jul 23 2019 the ultimate space coloring book for kids fun children s coloring book for kids with 50 fantastic pages to

color with astronauts planets aliens rockets and

*my first big book of outer space space coloring book for kids* - Feb 24 2022

web simply download and print these outer space coloring pages and you are good to go if your child is an aspiring astronaut

talk to him or her about what an astronaut does and

*space coloring book for kids fantastic outer space coloring* - Mar 08 2023

web explore outer space with this fun coloring book for kids planets astronauts spaceships aliens meteors and more space coloring book for boys girls and kids

**space coloring pages for kids free printables print** - Jan 26 2022

web aug 3 2018 these space coloring pages for kids can get your child ren s imagination going as they prepare to take off into space check out all our coloring pages for kids

[space coloring book for kids fantastic outer space coloring](#) - Nov 04 2022

web jun 9 2022 explore outer space with this fun coloring book for kidsplanets astronauts spaceships aliens meteors and more

[space coloring book for kids fantastic outer space coloring](#) - Aug 13 2023

web apr 23 2018 planets astronauts spaceships aliens meteors and more space coloring book for boys girls and kids who love outer space featuring full page drawings of

**space space coloring book for kids fantastic outer space** - Sep 14 2023

web aug 30 2022 space space coloring book for kids fantastic outer space coloring with astronauts planets space ships rockets and aliens lynd case on

**space coloring book for kids fantastic planet coloring** - Jun 30 2022

web oct 9 2020 animals in space coloring book for kids ultimate fantastic outer space colouring book for children 50 pages with astronaut animals in wide space

*animals in space coloring book for kids ultimate fantastic* - Apr 28 2022

web dec 9 2021 explore outer space with this fun coloring book for kids planets astronauts meteors spaceships aliens and more space coloring book for boys girls

**space coloring book for kids amazing outer space coloring** - Mar 28 2022

web these space coloring pages are free for parents and teachers to print for their kids parents can keep them on hand for whenever their kids are bored or have time to spare

**space coloring book fantastic outer space coloring with** - Oct 23 2021

**space coloring book for kids children s coloring books** - May 10 2023

web buy space coloring book for kids fantastic outer space coloring with planets astronauts space ships rockets toddlers coloring books by book space isbn

**amazon com outer space coloring book** - Jul 12 2023

web apr 23 2018 space coloring book for boys girls and kids who love outer space featuring full page drawings of planets astronauts spaceships aliens meteors rockets

**space coloring book for children fantastic outer space** - Oct 03 2022

web jun 9 2021 space coloring book for kids outer space coloring book with 50 unique planets astronauts space ships rockets more perfect gift for kids 4 8 year

**space coloring book for kids amazing outer space color** - May 30 2022

web discover 40 fantastic outer space illustrations including planets astronauts space ships and even rockets to give your child hours upon hours of space filled fun whether they

*the ultimate space coloring book for kids fun* - Dec 05 2022

web space coloring book for children book read reviews from world s largest community for readers space coloring book for children toddlers who love space

**space coloring book for kids fantastic outer space** - Jun 11 2023

web explore outer space with this fun coloring book for kids planets astronauts spaceships aliens meteors and more space coloring book for boys girls and kids

**free printable outer space coloring pages for kids mombrite** - Dec 25 2021

web explore outer space with this fun coloring book for kids planets astronauts spaceships aliens meteors and more space coloring book for boys girls and kids

**space coloring book for kids fantastic outer space coloring** - Sep 02 2022

web space coloring book for kids explore outer space with this fun coloring book for kids planets astronauts spaceships aliens meteors and more space

*space coloring pages for kids itsy bitsy fun* - Nov 23 2021

**david almond argilla in italiano origin locationsciences** - Apr 15 2022

2 david almond argilla in italiano 2021 05 23 a new dictionary of the english and italian languages scholastic inc in this book without words mr crocodile gets up every morning and carefully gets ready for work but just what is his job

david almond argilla 2013 paradiso italiano - Jun 17 2022

David Almond Argilla 2013 formato epub nella piccola cittadina di Felling è arrivato un ragazzo nuovo Stephen Rose ha una pelle lucida uno sguardo ossessivo ipnotico e un odore nauseante non ha genitori non ha amici sul suo conto girano molte voci

*argilla libringioco* - Sep 20 2022

Oct 23 2014 nessuno lo rivedrà mai più la terra con cui era stato creato Argilla finisce invece nel giardino di Davie e ne nasceranno rose sicomori e biancospini la recensione di Argilla di David Almond tutto il romanzo è un mistero anzi un mistero con la m maiuscola di misteri è intriso e i misteri lo percorrono sotterraneamente dalla prima

David Almond Argilla in italiano pdf cms tonpetitlook - May 17 2022

2 David Almond Argilla in italiano 2021 09 28 different objects juxtaposing famous works with pieces by anonymous medieval craftsmen often from places peripheral to Italy's more noted artistic centers the detailed descriptions provided in this volume provide a useful guide to the museum and its collection appendix with English translation

*David Almond Argilla in italiano smtp ablogtowatch* - Feb 11 2022

David Almond Argilla in italiano 3 3 his tiny sister Michael's world changes for ever Skellig won the Carnegie Medal and the Whitbread Children's Book Award and is now a major Sky1 feature film starring Tim Roth and John Simm David Almond is also winner of the 2010 Hans Christian Andersen Award powerful and moving the Guardian this

David Almond Wikipedia - Jun 29 2023

David Almond Newcastle upon Tyne 15 maggio 1951 è uno scrittore inglese di Cielo Secret Heart The Fire Eaters che si è aggiudicato il Whitbread Awards di quell'anno Argilla Jackdaw Summer e The Savage uscito in Italia nel 2011 con il titolo La storia di Mina

**argilla romanzo wikiwand** - Mar 27 2023

Argilla Clay è un romanzo fantastico per ragazzi di David Almond edito per la prima volta in lingua originale nel 2005 la prima edizione italiana è del 2010 quick facts Argilla titolo originale autore 1<sup>a</sup> ed ori

**argilla di David Almond Salani paperback anobii** - Dec 24 2022

scopri la trama e le recensioni presenti su Anobii di Argilla di David Almond pubblicato da Salani in formato paperback

amazon it argilla Almond David Bartocci Maurizio Libri - Sep 01 2023

David Almond Argilla copertina flessibile 18 aprile 2019 di David Almond autore Maurizio Bartocci traduttore 4 2 24 voti visualizza tutti i formati ed edizioni formato Kindle 5 99 leggi con la nostra app gratuita copertina flessibile 8 55 altro nuovo da 8 55

**argilla Almond David ebook epub2 con Adobe DRM IBS** - Apr 27 2023

Argilla è un ebook di Almond David pubblicato da Salani nella collana Fuori Collana a 5 99 il file è in formato epub2 con Adobe

drm risparmio online con le offerte ibs

**libro argilla d almond salani lafeltrinelli** - Jan 25 2023

acquista il libro argilla di david almond in offerta lo trovi online a prezzi scontati su la feltrinelli

**david almond argilla in italiano stage gapinc** - Mar 15 2022

david almond argilla in italiano story of the little mole who knew it was none of his business 30th anniversary edition the true tale of the monster billy dean

**argilla david almond libro salani fuori collana ibs** - Jul 31 2023

argilla è un libro di david almond pubblicato da salani nella collana fuori collana acquista su ibs a 12 35

**argilla david almond libro salani 2019 gl istricipiù libraccio it** - Oct 22 2022

descrizione nella piccola cittadina di felling è arrivato un ragazzo nuovo stephen rose ha una pelle lucida uno sguardo ossessivo ipnotico e un odore nauseante non ha genitori non ha amici sul suo conto girano molte voci e pettegolezzi ma una cosa è certa c'è qualcosa di magico nelle strane creature che stephen modella con la creta

*argilla romanzo almond david salani 2010 italiano* - Nov 22 2022

argilla romanzo david almond traduzione di maurizio bartocci milano salani 2010 220 p 21 cm testo 9788862560795  
librinlinea

argilla romanzo wikipedia - Oct 02 2023

argilla clay è un romanzo fantastico per ragazzi di david almond edito per la prima volta in lingua originale nel 2005 la prima edizione italiana è del 2010 trama e vedo l'uomo muoversi le membra si contraggono la testa si volta e guarda stephen rose negli occhi david almond argilla nella traduzione di m bartocci

argilla by david almond open library - Jul 19 2022

jun 15 2010 argilla by david almond jun 15 2010 salani edition paperback deutsch de english en español es français fr hrvatski hr italiano it portuguese pt [] [] [] te Українська uk [] zh my books browse menu subjects trending library explorer lists collections k 12 student library

**amazon it argilla di david almond** - Aug 20 2022

seleziona la categoria in cui desideri effettuare la ricerca

argilla romanzo david almond traduzione di maurizio bartocci - May 29 2023

argilla romanzo david almond traduzione di maurizio bartocci almond david l'ultima lezione di miss bixby john david anderson traduzione di maurizio bartocci anderson john david 1975 il selvaggio david almond illustrato da dave mckean almond david skellig romanzo david almond traduzione di paolo antonio livorati

*argilla david almond libro mondadori store* - Feb 23 2023

acquista online il libro argilla di david almond in offerta a prezzi imbattibili su monadori store

**retensi penyusutan pemusnahan berkas rekam medis** - Nov 08 2022

web dec 19 2014 rekam medis pada sarana pelayanan kesehatan non rumah sakit wajib disimpan sekurang kurangnya untuk jangka waktu 2 dua tahun terhitung dari tgl terakhir pasien berobat pasal 9 ayat 2 setelah batas waktu sebagaimana dimaksud pada ayat 1 dilampaui rekam medis dapat dimusnahkan

**factors of delay in the destruction of inactive** - Aug 05 2022

web 547 faktor keterlambatan pemusnahan berkas rekam medis inaktif fita rusdian ikawati itsk rs dr soepraoen malang jl s supriadi no 22 sukun sukun malang jawa timur 65147 indonesia

**pemusnahan rekam medis bagaimana prosedurnya** - Sep 18 2023

web jul 12 2022 proses pemusnahan rekam medis setelah peninjauan terhadap nilai guna rekam medis dilakukan prosedur yang selanjutnya perlu diterapkan adalah proses pemusnahan terhadap rekam medis nah dokumen yang mengalami proses retensi atau pemusnahan ini merupakan dokumen yang sifatnya inaktif

**analisis keterlambatan retensi dan pemusnahan berkas rekam medis** - May 02 2022

web kunjungan pemusnahan berkas rekam medis yang telah disimpan dan pemindaian berkas rekam medis ri 2020 pemusnahan berkas rekam medis adalah upaya yang dilakukan bagi rumah sakit dengan tujuan untuk mengurangi luas berkas rekam medis yang terdapat di ruang penyimpanan penghancuran atau pemusnahan merupakan

**pemusnahan dan retensi berkas rekam medis pdf scribd** - May 14 2023

web pemusnahan adalah suatu proses kegiatan penghancuran secara fisik arsip rekam medis yang telah berakhir fungsi dan nilai gunanya penghancuran harus dilakukan secara total dengan cara membakar habis mencacah atau daur ulang sehingga tidak dapat dikenali lagi isi maupun bentuknya

**20 sk pemusnahan rekam medis docx documents and e books** - Jun 03 2022

web dasar hukum pasal 8 ayat 1 rekam medis pasien rawat inap di rumah sakit wajib disimpan sekurangnya untuk jangka waktu 5 lima tahun terhitung dari tgl terakhir pasien berobat atau dipulangkan pasal 8 ayat 2 setelah batas waktu 5 lima tahun dilampaui rekam medis dapat dimusnahkan kecuali ringkasan pulang dan persetujuan

*pdf keterlambatan pelaksanaan retensi dokumen rekam medis* - Oct 07 2022

web apr 20 2022 penelitian ini memberikan saran yaitu penambahan petugas rekam medis dengan latar belakang minimal d3 d4 rekam medis dan memberikan pelatihan tentang retensi dan pemusnahan berkas rekam medis

*sop penyerahan pencatatan dan akses rekam medis* - Jan 10 2023

web nov 20 2023 keamanan berkas rekam medis merupakan hal yang perlu diperhatikan akses terhadap rekam medis perlu diatur secara mendetail melalui sop rekam medis yang tersirat dari sop rekam medis ini mencakup tempat waktu langkah

syarat dan pihak yang diizinkan untuk mengakses rekam medis dengan diaplikasikannya dan permenkes 269 tahun 2008 rekam medis pormiki dki - Oct 19 2023

web apr 20 2016 rekam medis adalah berkas yang berisikan catatan dan dokumen tentang identitas pasien pemeriksaan pengobatan tindakan dan pelayanan lain yang telah diberikan kepada pasien

**tata kelola rekam medis berbasis elektronik dalam** - Feb 28 2022

web jul 18 2023 pemusnahan budi et al 2021 penelitian ini bertujuan untuk merancang sistem informasi kelengkapan berkas rekam medis agar dapat mempermudah perekam medis mengolah data pasien

**retensi pemusnahan berkas rekam medis in aktif** - Sep 06 2022

web this study aims to design an information system for inpatient medical record retention using microsoft visual studio 2010 at the jasa kartini hospital tasikmalaya the research method used is a qualitative method with a descriptive approach data collection techniques are using observation interviews and literature studies related to the

**lampiran 1 materi retensi dan pemusnahan dokumen rekam medis** - Aug 17 2023

web sesuai dengan bpprm tahun 2006 pemusnahan rekam medis adalah kegiatan menghilangkan menghapus menghancurkan secara fisik dokumen rekam medis yang telah mencapai 5 tahun sejak terakhir berobat di rumah sakit

**pdf tinjauan pelaksanaan penyusutan dan pemusnahan rekam medis** - Apr 13 2023

web feb 27 2023 hasil dari penelitian ini adalah bahwa sistem penyimpanan rekam medis di rsu sinar husni menggunakan sistem sentralisasi penjarannya menggunakan terminal digit filling tetapi masih ada berkas

**pdf sosialisasi dan praktek retensi dan pemusnahan berkas rekam medis** - Feb 11 2023

web jun 30 2020 setiap klinik wajib menyelenggarakan rekam medis salah satu penyelenggaraan rekam medis adalah sistem penyimpanan berkas rekam medis sistem penyimpanan ini sangat penting untuk

**j remi jurnal rekam medik informasi kesehatan google scholar** - Jun 15 2023

web analisis pelaksanaan retensi dan pemusnahan berkas rekam medis di rumkital dr ramelan surabaya ed apriliani i muflihatin n muna j remi jurnal rekam medik dan informasi kesehatan 1 4 564 574 2020

*6 tata laksana pemusnahan berkas rekam medis* - Dec 09 2022

web 1 5 01160 tahun 1995 tentang petunjuk teknis pengadaan formulir dasar rekam medis dan pemusnahan rekam medis di rumah sakit tujuan utamanya yaitu mengurangi beban penyimpanan dokumen rekam medis dan mengabadikan formulir formulir rekam medis yang memiliki nilai guna

**perancangan pemusnahan rekam medis rawat** - Apr 01 2022

web pemusnahan rekam medis merupakan salah satu upaya yang dilakukan oleh pihak puskesmas dengan tujuan mengurangi penumpukan berkas rekam medis diruang penyimpanan berkas rekam medis rawat jalan disimpan selama 2

tahun jenis penelitian ini menggunakan penelitian deskripsi kualitatif

kemenkes resmi meluncurkan rekam medis elektronik - Jul 04 2022

web jakarta 11 november 2023 setelah berhasil melewati fase pengujian pengiriman data pasien uji interoperabilitas secara elektronik di 18 fasilitas pelayanan kesehatan fasyankes kementerian kesehatan kemenkes ri resmi meluncurkan rekam

medis elektronik rme yang terintegrasi dari hulu di satuselhat platform hingga hilir di

penyusutan dan pemusnahan rekam medis pada rumah sakit - Mar 12 2023

web kata kunci penyusutan pemusnahan rekam medis rumah sakit latar belakang penyusutan rekam medis adalah kegiatan

mengurangi berkas rekam medis dengan cara pemindahan berkas dari rak aktif menuju rak inaktif pemusnahan rekam medis

adalah penghancuran secara fisik berkas rekam medis yang sudah tidak memiliki fungsi dan

nomor 24 tahun 2022 tentang rekam medis dengan - Jul 16 2023

web 1 rekam medis adalah dokumen yang berisikan data identitas pasien pemeriksaan pengobatan tindakan dan pelayanan

lain yang telah diberikan kepada pasien 2 rekam medis elektronik adalah rekam medis yang dibuat dengan menggunakan

sistem elektronik yang diperuntukkan bagi penyelenggaraan rekam medis 3