

100% SATISFACTION GUARANTEE

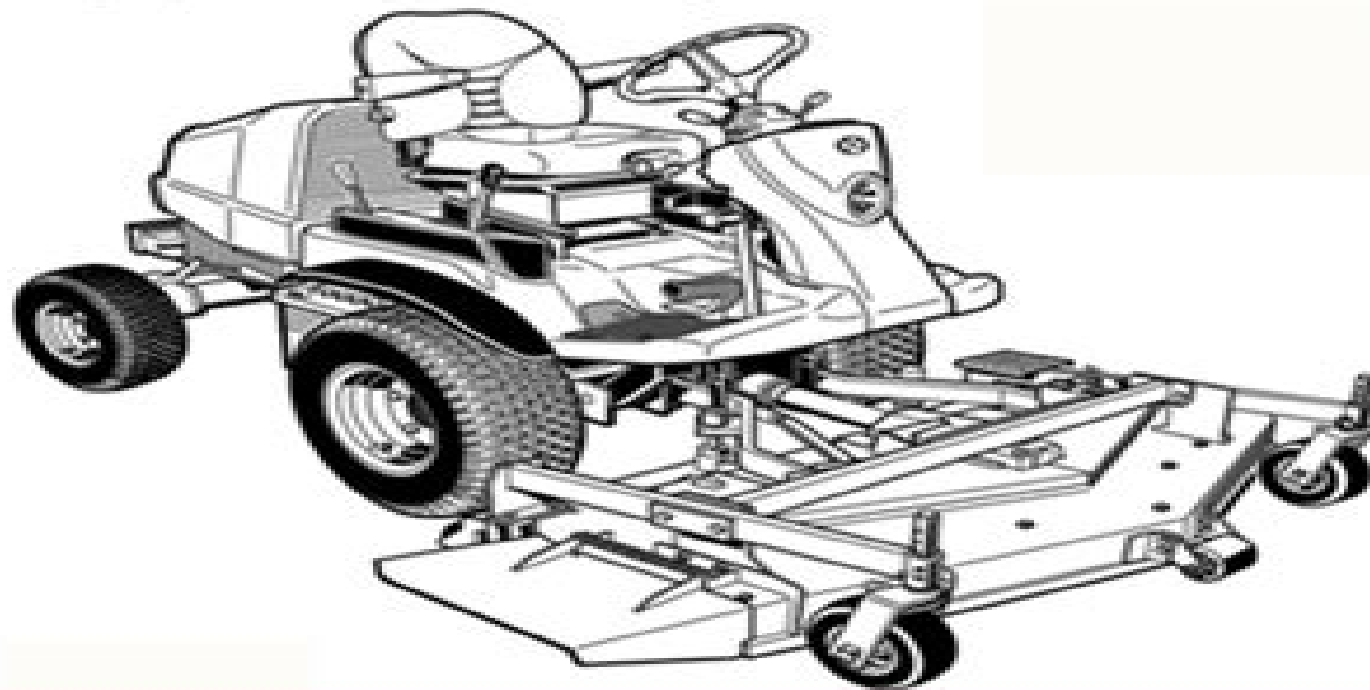


eBOOK



Instant Download

Kubota RCK72-F36, RCK72R-F36,
RCK60-F36, RCK60R-F36,
RCK54-F28 Rotary Mower



DO
IT
YOURSELF

Operator's Manual



Kubota Rck60 Mower Operator Manual

Kubota

A horizontal light blue bar with a rounded right end, followed by a red semi-circular glow effect.

Kubota Rck60 Mower Operator Manual:

Farmers and Consumers Market Bulletin ,2003 **Operator's Manual and Parts List; Mower, 85** White Motor Corporation,White Farm Equipment Co,Oak Brook (Ill.),Brantford (Ont.),1980 **Kubota Lawn Tractor. Model T1400, T1400H Operator's Manual** Kubota Tekkō Kabushiki Kaisha,198? *Operator's Manual, Setting Up Instructions : International No. 110 Balanced Mower* International Harvester Company,1961* *Kubota Tiller Model AD70 Operator's Manual* Kubota, **Operator's Manual S-178 3 Point Hitch Mower** Minneapolis-Moline Company,1954 Operator's Manual Kubota Kabushiki Kaisha, New Holland 435 Disc Mower Sperry Rand Corporation. New Holland Division,1973 **Rear Attached Mower, Series 501** ,1969 *Operator's Manual* Deere & Company,1942* *Garden Way's Tuff-Cut High Wheel Mower Models 10749 to 10758 Owner/operator Manual* Garden Way Manufacturing Company,1986 Operator's Manual, Setting Up Instructions ,1965 Operator's Manuals, Mowers, 415, 421, 437 Mower Conditioner, 438 Mower Conditioner, 960 Rotary Mower Cockshutt Farm Equipment,Brantford (Ont.),1965 *John Deere 303 and 305 Hydraulic Gang Mowers Operator's Manual*|*Hydraulic Gang Mowers Operator's Manual* Deere John, **Operating Manual; Riding Rotary Lawn Mower** Shawnee Industries,Springfield (Ohio), John Deere 350 and 450 Mowers , **Operator's Manuals, Mower-Conditioners, Models 480, 483, 485, 1209, 1217, 1219** John Deere & Company,Moline (Ill.),1979 Owner's Manual International Harvester Company of Canada,1961 *Operator's Manuals, Mowers, Models 37, 38, 39, Caster-wheel Mowers No. 8 and No. 8W, Gear Mower No. 4, Power Mowers No. 9, No. 20* John Deere & Company,Moline (Ill.),1961 **Operator's Manuals, Dealer Service Shop Copies, Rotary Mowers, Models 60, 72, 172, Mower-Conditioner 1207** John Deere & Company,Moline (Ill.),1976

Unveiling the Magic of Words: A Overview of "**Kubota Rck60 Mower Operator Manual**"

In some sort of defined by information and interconnectivity, the enchanting power of words has acquired unparalleled significance. Their ability to kindle emotions, provoke contemplation, and ignite transformative change is actually awe-inspiring. Enter the realm of "**Kubota Rck60 Mower Operator Manual**," a mesmerizing literary masterpiece penned by a distinguished author, guiding readers on a profound journey to unravel the secrets and potential hidden within every word. In this critique, we shall delve into the book is central themes, examine its distinctive writing style, and assess its profound affect the souls of its readers.

http://www.armchairempire.com/results/uploaded-files/Documents/Introduction_To_Permaculture.pdf

Table of Contents Kubota Rck60 Mower Operator Manual

1. Understanding the eBook Kubota Rck60 Mower Operator Manual
 - The Rise of Digital Reading Kubota Rck60 Mower Operator Manual
 - Advantages of eBooks Over Traditional Books
2. Identifying Kubota Rck60 Mower Operator Manual
 - Exploring Different Genres
 - Considering Fiction vs. Non-Fiction
 - Determining Your Reading Goals
3. Choosing the Right eBook Platform
 - Popular eBook Platforms
 - Features to Look for in an Kubota Rck60 Mower Operator Manual
 - User-Friendly Interface
4. Exploring eBook Recommendations from Kubota Rck60 Mower Operator Manual
 - Personalized Recommendations
 - Kubota Rck60 Mower Operator Manual User Reviews and Ratings
 - Kubota Rck60 Mower Operator Manual and Bestseller Lists

5. Accessing Kubota Rck60 Mower Operator Manual Free and Paid eBooks
 - Kubota Rck60 Mower Operator Manual Public Domain eBooks
 - Kubota Rck60 Mower Operator Manual eBook Subscription Services
 - Kubota Rck60 Mower Operator Manual Budget-Friendly Options
6. Navigating Kubota Rck60 Mower Operator Manual eBook Formats
 - ePub, PDF, MOBI, and More
 - Kubota Rck60 Mower Operator Manual Compatibility with Devices
 - Kubota Rck60 Mower Operator Manual Enhanced eBook Features
7. Enhancing Your Reading Experience
 - Adjustable Fonts and Text Sizes of Kubota Rck60 Mower Operator Manual
 - Highlighting and Note-Taking Kubota Rck60 Mower Operator Manual
 - Interactive Elements Kubota Rck60 Mower Operator Manual
8. Staying Engaged with Kubota Rck60 Mower Operator Manual
 - Joining Online Reading Communities
 - Participating in Virtual Book Clubs
 - Following Authors and Publishers Kubota Rck60 Mower Operator Manual
9. Balancing eBooks and Physical Books Kubota Rck60 Mower Operator Manual
 - Benefits of a Digital Library
 - Creating a Diverse Reading Collection Kubota Rck60 Mower Operator Manual
10. Overcoming Reading Challenges
 - Dealing with Digital Eye Strain
 - Minimizing Distractions
 - Managing Screen Time
11. Cultivating a Reading Routine Kubota Rck60 Mower Operator Manual
 - Setting Reading Goals Kubota Rck60 Mower Operator Manual
 - Carving Out Dedicated Reading Time
12. Sourcing Reliable Information of Kubota Rck60 Mower Operator Manual
 - Fact-Checking eBook Content of Kubota Rck60 Mower Operator Manual
 - Distinguishing Credible Sources
13. Promoting Lifelong Learning

- Utilizing eBooks for Skill Development
 - Exploring Educational eBooks
14. Embracing eBook Trends
- Integration of Multimedia Elements
 - Interactive and Gamified eBooks

Kubota Rck60 Mower Operator Manual Introduction

Kubota Rck60 Mower Operator Manual Offers over 60,000 free eBooks, including many classics that are in the public domain. Open Library: Provides access to over 1 million free eBooks, including classic literature and contemporary works. Kubota Rck60 Mower Operator Manual Offers a vast collection of books, some of which are available for free as PDF downloads, particularly older books in the public domain. Kubota Rck60 Mower Operator Manual : This website hosts a vast collection of scientific articles, books, and textbooks. While it operates in a legal gray area due to copyright issues, its a popular resource for finding various publications. Internet Archive for Kubota Rck60 Mower Operator Manual : Has an extensive collection of digital content, including books, articles, videos, and more. It has a massive library of free downloadable books. Free-eBooks Kubota Rck60 Mower Operator Manual Offers a diverse range of free eBooks across various genres. Kubota Rck60 Mower Operator Manual Focuses mainly on educational books, textbooks, and business books. It offers free PDF downloads for educational purposes. Kubota Rck60 Mower Operator Manual Provides a large selection of free eBooks in different genres, which are available for download in various formats, including PDF. Finding specific Kubota Rck60 Mower Operator Manual, especially related to Kubota Rck60 Mower Operator Manual, might be challenging as theyre often artistic creations rather than practical blueprints. However, you can explore the following steps to search for or create your own Online Searches: Look for websites, forums, or blogs dedicated to Kubota Rck60 Mower Operator Manual, Sometimes enthusiasts share their designs or concepts in PDF format. Books and Magazines Some Kubota Rck60 Mower Operator Manual books or magazines might include. Look for these in online stores or libraries. Remember that while Kubota Rck60 Mower Operator Manual, sharing copyrighted material without permission is not legal. Always ensure youre either creating your own or obtaining them from legitimate sources that allow sharing and downloading. Library Check if your local library offers eBook lending services. Many libraries have digital catalogs where you can borrow Kubota Rck60 Mower Operator Manual eBooks for free, including popular titles. Online Retailers: Websites like Amazon, Google Books, or Apple Books often sell eBooks. Sometimes, authors or publishers offer promotions or free periods for certain books. Authors Website Occasionally, authors provide excerpts or short stories for free on their websites. While this might not be the Kubota Rck60 Mower Operator Manual full book , it can give you a taste of the authors writing style. Subscription Services Platforms like

Kindle Unlimited or Scribd offer subscription-based access to a wide range of Kubota Rck60 Mower Operator Manual eBooks, including some popular titles.

FAQs About Kubota Rck60 Mower Operator Manual Books

1. Where can I buy Kubota Rck60 Mower Operator Manual books? Bookstores: Physical bookstores like Barnes & Noble, Waterstones, and independent local stores. Online Retailers: Amazon, Book Depository, and various online bookstores offer a wide range of books in physical and digital formats.
2. What are the different book formats available? Hardcover: Sturdy and durable, usually more expensive. Paperback: Cheaper, lighter, and more portable than hardcovers. E-books: Digital books available for e-readers like Kindle or software like Apple Books, Kindle, and Google Play Books.
3. How do I choose a Kubota Rck60 Mower Operator Manual book to read? Genres: Consider the genre you enjoy (fiction, non-fiction, mystery, sci-fi, etc.). Recommendations: Ask friends, join book clubs, or explore online reviews and recommendations. Author: If you like a particular author, you might enjoy more of their work.
4. How do I take care of Kubota Rck60 Mower Operator Manual books? Storage: Keep them away from direct sunlight and in a dry environment. Handling: Avoid folding pages, use bookmarks, and handle them with clean hands. Cleaning: Gently dust the covers and pages occasionally.
5. Can I borrow books without buying them? Public Libraries: Local libraries offer a wide range of books for borrowing. Book Swaps: Community book exchanges or online platforms where people exchange books.
6. How can I track my reading progress or manage my book collection? Book Tracking Apps: Goodreads, LibraryThing, and Book Catalogue are popular apps for tracking your reading progress and managing book collections. Spreadsheets: You can create your own spreadsheet to track books read, ratings, and other details.
7. What are Kubota Rck60 Mower Operator Manual audiobooks, and where can I find them? Audiobooks: Audio recordings of books, perfect for listening while commuting or multitasking. Platforms: Audible, LibriVox, and Google Play Books offer a wide selection of audiobooks.
8. How do I support authors or the book industry? Buy Books: Purchase books from authors or independent bookstores. Reviews: Leave reviews on platforms like Goodreads or Amazon. Promotion: Share your favorite books on social media or recommend them to friends.
9. Are there book clubs or reading communities I can join? Local Clubs: Check for local book clubs in libraries or

- community centers. Online Communities: Platforms like Goodreads have virtual book clubs and discussion groups.
10. Can I read Kubota Rck60 Mower Operator Manual books for free? Public Domain Books: Many classic books are available for free as they're in the public domain. Free E-books: Some websites offer free e-books legally, like Project Gutenberg or Open Library.

Find Kubota Rck60 Mower Operator Manual :

introduction to permaculture

introduction to neuro fuzzy systems advances in intelligent and soft computing

introduction to multivariate statistical analysis solution manual

introduction to genetics analysis solution manual

introduction electric circuits dorf solutions manual

introductory econometrics a modern approach 4th edition

introduction to geotechnical engineering holtz solutions manual

introducing monte carlo methods with r solutions

introducing radical orthodoxy introducing radical orthodoxy

introduction to on board diagnostics ii obdii

~~introduction to maternity and pediatric nursing study guide~~

introduction to modern cryptography solution manual

introduction to molecular thermodynamics solution manual

introduction to veterinary anatomy and physiology workbook 2e

introduction to process algebra texts in theoretical computer science an eatcs series

Kubota Rck60 Mower Operator Manual :

100 facts whales dolphins pocket edition amazon co uk - Jun 02 2023

web take in an in depth look at the fascinating world of whales and dolphins in this handy pocket sized book that is bursting with giant facts discover how dolphins use sound to find their prey which whale can hold its breath for more than two hours and much more exactly 100 numbered facts will challenge children alongside fascinating photos and

100 facts whales dolphins explore the fascinating pdf - Feb 15 2022

web sep 28 2023 right here we have countless ebook 100 facts whales dolphins explore the fascinating pdf and collections

to check out we additionally have the funds for variant types and along with type of the books to browse

100 facts whales dolphins explore the fascinating vps huratips - Mar 19 2022

web ripley twists pb whales and dolphins ocean animals 100 facts whales dolphins explore the fascinating downloaded from vps huratips com by guest anna eva whales of the world teacher created resources filled with up to date information color photos fascinating fun facts this book whales 100 amazing interesting fun facts with

10 fascinating facts about dolphins padi blog - May 21 2022

web natacha gajdoczki updated by mona xia on november 17 2022 dolphins are undoubtedly some of the most fascinating and well known ocean animals in the world and for good reason with their forthcoming curiosity incredible acrobatic skills and sharp intellect dolphins have piqued human interest for millennia

here are our top 10 facts about dolphins wwf - Jun 21 2022

web 1 dolphins can be found all over the world and in different environments there are 36 species of marine dolphins living in nearly all aquatic environments including oceans coastal estuarine and freshwater and in temperatures ranging from

100 interesting facts about dolphins - Apr 19 2022

web 1 dolphins are considered the most popular and most amazing animals among all types of marine animals 2 these sea creatures are famous for their cheerful character and high intelligence 3 during sleep only half of their brains are used by dolphins 4 an average dolphin can eat about 13 kg of fish per day 5

70 dolphin facts that will amaze you factretriever - Aug 04 2023

web apr 11 2017 dolphin facts 70 interesting dolphin facts by karin lehnardt senior writer published april 11 2017 updated april 14 2019 when humans take a breath they replace only 15 of the air in their lungs with fresh air when dolphins take a breath they replace 90 of the air in their lungs with fresh air 4

fun facts about wonderful whales noaa fisheries - Oct 26 2022

web the blue whale may be the largest animal ever to inhabit the earth blue whales can grow up to 31 meters 100 feet roughly the length of a basketball court blue whales have weighed up to 160 tons they feed on small shrimp like crustaceans the whales consume up to eight tons of these animals a day during their feeding period

whales dolphins 100 facts book outlet - Dec 28 2022

web explore the fascinating world of whales and dolphins deadly orcas giant blue whales and clever dolphins are revealed through one hundred facts fanta

top 10 facts about whales dolphins and porpoises thoughtco - May 01 2023

web aug 4 2019 watching whales can be an exhilarating adventure and a chance to see some of the world s largest and sometimes most endangered species how whales feed reproduce and explore their world as well as other

100 facts whales dolphins explore the fascinating world of whales - Jul 03 2023

web compre online 100 facts whales dolphins explore the fascinating world of whales and dolphins de parker steve na amazon frete grÁtis em milhares de produtos com o amazon prime encontre diversos livros escritos por parker steve com ótimos preços

whale facts and information national geographic - Jan 29 2023

web whales common name whales scientific name cetacea diet carnivore average life span unknown size 9 feet to 98 feet long weight 500 pounds to 200 tons current population trend

here are our top 10 facts about whales wwf - Aug 24 2022

web 10 killer whales are actually dolphins orcas also known as killer whales are the largest members of the dolphin family they are the ocean s top predators preying on a diverse range of marine species which include many fish species penguins seabirds sea turtles cephalopods and marine mammals such as seals and even whales

100 facts whales dolphins whale and dolphin - Oct 06 2023

web description discover the fascinating world of whales dolphins explore the lives of orcas blue whales and dolphins discover how dolphins use echolocation why humpback whales leap from the water and which whales sieve food from the sea paperback delivery

100 facts whales dolphins explore the fascinating world of - Mar 31 2023

web 100 facts whales and dolphins is bursting with awesome images fun activities and exactly 100 mind blowing facts children will learn everything they need to know about these amazing marine mammals 100 facts whales and dolphins covers key topics about these sea creatures in easily digestible numbered facts

100 facts whales dolphins explore the fascinating world of whales - Sep 24 2022

web jul 15 2015 amazon co jp 100 facts whales dolphins explore the fascinating world of whales and dolphins parker steve foreign language books

100 facts whales dolphins sea mammals educational - Sep 05 2023

web jan 1 2019 are dolphins vegetarians how big is a blue whale discover everything you need to know about whales and dolphins in this extraordinary fact book flip through 100 fascinating facts covering everything from the massive humpback to the deadly killer whale then test your knowledge with fun quizzes

dolphin and whale facts ocean conservation society - Jul 23 2022

web meet 10 fascinating whales and dolphins found off california learn cool facts threats they re facing and explore some of the scientific insights ocean conservation society staff has made about these charismatic animals during 25 years of on the water research

dolphin facts and information whale dolphin conservation usa - Feb 27 2023

web watch on top ten facts about dolphins there are currently 42 species of dolphins and seven species of porpoises dolphins are marine mammals they must surface to breathe air and give birth to live young a dolphin pregnancy last between nine and 16 months the mother feeds her offspring on milk

dolphin whale fun facts dolphin research australia org - Nov 26 2022

web yes dolphins and whales are mammals like all mammals they breath air are warm blooded give birth to live young lactate and have hair the ancestors of whales and dolphins lived on land millions of years ago and it is thought they were small dog like mammals around 60 million years ago these ancestors began evolving and adapting to

northstar listening and speaking english audio courses - Sep 21 2022

web nov 25 2015 northstar listening and speaking level 5 offers advanced students fascinating content and critical thinking practice while focusing on improving listening and speaking key features new themes and updated content in a variety of text genres

northstar 5th edition english language teaching pearson - Aug 01 2023

web the student book is available as a book and digitally as an ebook listening speaking 8 units per level focus on topic each unit begins with a speaking exercise with questions that draw students into the topic and initiate critical thinking encouraging students to make a personal connection

northstar listening and speaking level 5 pearson elt us - Jan 26 2023

web northstar listening and speaking level 5 description additional information northstar is an intensive american english integrated skills course it incorporates critical thinking and academic skills with language development and engages students through authentic and compelling content

northstar 5 listening and speaking unit 3 flashcards quizlet - Dec 25 2022

web expert solutions log in sign up northstar 5 listening and speaking unit 3 4 0 3 reviews flashcards learn test match q chat get a hint attribute click the card to flip quality characteristic click the card to flip 1 24 flashcards learn test match q chat created by mary martin7teacher share terms in this set 24

northstar 5 listening speaking preiss sherry 1963 author - Oct 23 2022

web topics english language textbooks for foreign speakers english language spoken english problems exercises etc listening problems exercises etc english language english language spoken english listening

northstar pearson - Feb 24 2023

web 1 northstar listening speaking 3 4th edition northstar fourth edition engages and motivates students with new and updated contemporary topics download placement and achievement tests print resources including lesson planners video

northstar 5 listening and speaking achievement tests miles - Mar 16 2022

web begin getting this info acquire the northstar 5 listening and speaking achievement tests colleague that we come up with the money for here and check out the link you could purchase lead northstar 5 listening and speaking achievement tests

northstar pearson - May 30 2023

web monitor student progress on any activity or test as often as needed display a digital copy of the student book for whole class instruction download placement and achievement tests print resources including lesson planners video scripts and video activities 5 northstar listening speaking 1 4th edition unit 3 special

northstar listening speaking level 5 teachers manual with unit - Nov 23 2022

web nov 21 2008 northstar listening speaking level 5 teachers manual with unit achievement tests sherry preiss google books sherry preiss pearson longman nov 21 2008 comprehension 248 pages

northstar5 pearson - Sep 02 2023

web 1 northstar listening speaking 5 4th edition northstar monitor student progress on any activity or test as often as needed display a digital copy of the student book for whole class instruction download placement and achievement tests print resources including lesson planners video scripts and video activities

northstar pearson - May 18 2022

web 5 northstar listening speaking 2 4th edition unit 3 money a penny saved is a penny earned vocabulary infer word meaning from context grammar recognize and use comparative adjectives skill learning objective gse cefr page listening can listen to a short narrative and predict what will happen next n2000 43 b1 43 50 52

northstar listening and speaking 5 with interactive student book - Aug 21 2022

web oct 1 2015 this item northstar listening and speaking 5 with interactive student book access code and myenglishlab northstar listening speaking 40 24 40 24 get it as soon as monday aug 14

nstar5 teacher s manual and achievements tests pdf scribd - Oct 03 2023

web overview of the teacher s manual and achievement tests xvfachievement tests the reproducible achievement tests allow teachers to evaluate students progress and to identify areas where the students might have problems developing their listening and speaking skills

northstar listening and speaking 5 with myenglishlab - Apr 28 2023

web aug 8 2014 accessible through myenglishlab northstar classroom audio cd listening and speaking audio contains the recordings and activities as well as audio for the achievement tests the

northstar listening and speaking 5 with myenglishlab 4th edition - Jul 20 2022

web aug 30 2014 accessible through myenglishlab northstar classroom audio cd listening and speaking audio contains the

recordings and activities as well as audio for the achievement tests the reading and writing strand contains the readings on audio

northstar 5 listening and speaking answer key epub download - Jun 18 2022

web achievement tests classroom audio lesson planners video activities videoscripts teacher s manuals answer keys and a downloadable placement test accessible through myenglishlab northstar classroom audio cd listening and speaking audio contains the recordings and northstar 5 listening and speaking answer key published by
northstar 5 listening and speaking achievement tests pdf - Apr 16 2022

web northstar 5 listening and speaking achievement tests academic achievement of english and spanish speaking chapter 1 students in relation to specialized types of instruction jan 24 2021 the role of reading speaking dialect and associative bridging in behavioral achievement and attitude change mar 06 2022

listening and speaking dl alijafarnode ir - Mar 28 2023

web achievement tests developed by dr joan jamieson and dr carol chapelle achievement tests by elizabeth henly staff credits the people who made up the northstar listening and speaking level 5 third edition

preiss sherry north star 5 listening and speaking 3rd edition - Jun 30 2023

web mar 22 2011 northstar listening and speaking level 5 offers advanced students fascinating content and critical thinking practice while focusing on improving listening and speaking key features new themes and updated content in a variety of text genres

northstar 5 listening and speaking achievement tests pdf - Feb 12 2022

web northstar 5 listening and speaking achievement tests effective speaking and listening instruction department of jul 22 2021 web speaking and listening refers to the various formal and informal ways oral language is used to 10 activities for developing the skills of speaking and listening mar 30 2022

arisa controvento official video sanremo 2014 youtube - Sep 07 2023

web feb 22 2014 168 views 2 hours ago new controvento arisa sanremo 2014 testo di giuseppe anastasiio non credo nei miracoli meglio che ti liberimeglio che ti guardi dentroquesta vita lascia i

english translation of controvento collins online dictionary - Sep 26 2022

web 9 900 followers 866 following 593 posts see instagram photos and videos from controvento controvento oficial

controvento chords by arisa ultimate guitar com - Dec 30 2022

web il brano contro vento è stata scritta da ferdinando arnò e pacifico con il quale malika ayane ha debuttato nel brano verrà l estate in promozione nello stesso periodo di

controvento trieste updated 2023 prices - Feb 17 2022

web aug 26 2020 il vento contro racconta la storia di danielle che ha sempre dovuto fidarsi ciecamente anche letteralmente di tutto e tutti danielle è cieco dalla nascita ma la sua

controvento in vocabolario treccani treccani - Apr 02 2023

web mar 1 2014 about press copyright contact us creators advertise developers terms privacy policy safety how youtube works test new features nfl sunday ticket press copyright

eros ramazzotti controvento official video youtube - Oct 08 2023

web feb 19 2014 arisa controventowmg 2014 dall album se vedo te brano vincitore del festival di sanremo 2014spotify google lcqz7itunes itunes apple

cover strumentale controvento arisa testo youtube - Oct 28 2022

web english translation of controvento the official collins italian english dictionary online over 100 000 english translations of italian words and phrases

contro vento ferrara antonio amazon com tr kitap - Jun 23 2022

web contro vento controventomusic gmail com belgian italian duo for many occasions like ballroom dance dinners wedding receptions walking dinners anniversary parties

controvento abbigliamento uomo donna bambino facebook - Dec 18 2021

contro vento wikipedia - Nov 28 2022

web oct 12 2016 acquista le migliori basi musicali e karaoke amzn to 3oavh8t canta con noi e divertiti con gli amici kar

controvento definition in the italian english dictionary - Jan 31 2023

web jun 10 2014 there is no strumming pattern for this song yet create and get 5 iq intro c a f g c a io non credo nei miracoli f meglio che ti liberi g meglio che ti

il vento contro recensione e trama del libro dafne - Nov 16 2021

arisa controvento with lyrics youtube - Aug 06 2023

web oct 9 2009 controvento eros ramazzotti testo una canzone stupenda

stream controvento music listen to songs albums - May 23 2022

web controvento is a multidisciplinary creative collective based in amsterdam and new york with collaborators from all over the world with a focus on craftsmanship excellent

about controvento - Apr 21 2022

web a multidisciplinary creative collective that engages in exceptional thinking creating unique innovative projects and

experiences with meaningful partners

[controvento wiktionary the free dictionary](#) - Jul 25 2022

web arama yapmak istediğiniz kategoriye seçin

eros ramazzotti controvento lyrics genius lyrics - Jun 04 2023

web jan 1 2010 i wanted to tell you that everything is ending but there are words that won't come out i wanted to tell you about the times when i couldn't get enough of you and

home controvento - Mar 21 2022

web controvento abbigliamento uomo donna bambino streetwear beachwear otranto 16 070 likes 23 talking about this 4 were here la mission realizziamo prodotti di

[controvento trieste prezzi aggiornati per il 2023](#) - Jan 19 2022

[eros ramazzotti controvento youtube](#) - Jul 05 2023

web controvento lyrics ancora non lo sai ma qualcosa dentro mi si è spento È già un po' di tempo che cerco di parlarne a te non hai capito mai non vedevi il mio fiorire lento

[eros ramazzotti controvento lyrics english translation](#) - May 03 2023

web controvento controvento o contravvento avv e s m comp di contro o contra e vento 1 avv in senso contrario a quello verso cui spira il vento camminare navigare volare

controvento controvento oficial instagram photos and videos - Aug 26 2022

web italian windward against the wind brace strut stay

arisa controvento testo youtube - Mar 01 2023

web windward adjective adverb facing the wind or on the side facing the wind translation of controvento from the password italian english dictionary 2014 k dictionaries ltd