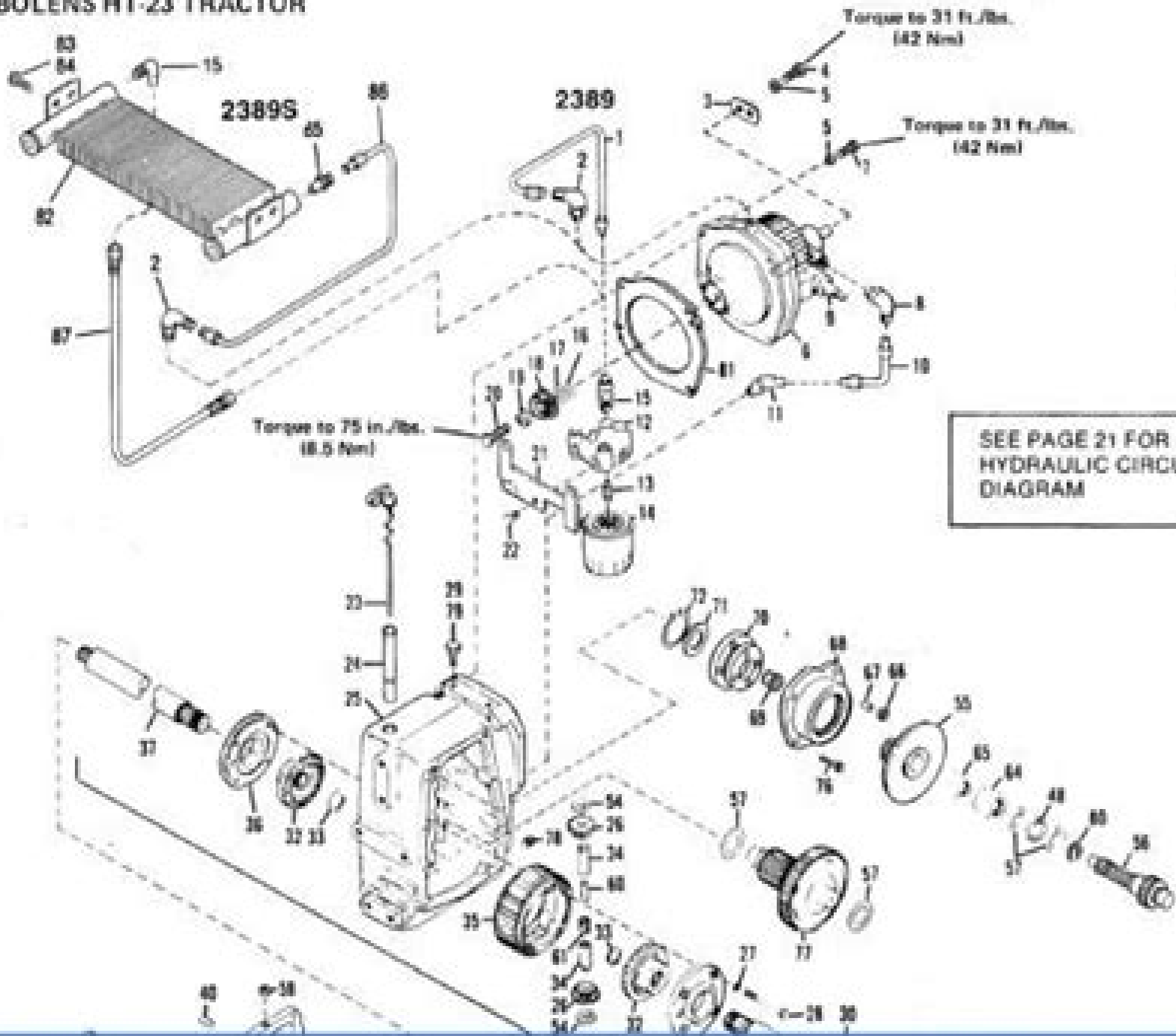


# BOLENS HT-23 TRACTOR



# Kubota Rtv 9000 Parts Manual

**Caterpillar Inc. Peoria, Ill..**



**Kubota Rtv 9000 Parts Manual:**

Farmers and Consumers Market Bulletin ,2011      **Kubota Shop Manual** Penton Staff,2000-05-24 Models L175 L210 L225 L225DT L260 Models B5100D B5100E B6100D B6100E B6100HST D B6100HST E B7100D B7100HST D B7100HST E Models L185 L235 L245 L275 L285 L295 L305 L345 L355      Parts Manual Caterpillar Inc. Peoria, Ill.,1995      **Parts Manual** Caterpillar Inc. Peoria, Ill.,1993      *Parts Manual* Caterpillar Inc. Peoria, Ill.,1994      **Parts Manual** ,1980  
**Parts Manual** Caterpillar Inc. Peoria, Ill.,1992      *Parts Manual* Caterpillar Inc. Peoria, Ill.,1996      **Import Labor Guide and Parts Manual, 1991-95** Nichols Publishing Company,1995-06-01      **Parts Manual** Caterpillar Inc. Peoria, Ill.,1992      OMC Parts Manual ,19??      *Parts Manual* Caterpillar Inc. Peoria, Ill.,1995      **Parts Manual** Caterpillar Inc. Peoria, Ill.,1990      **Parts Manual** Caterpillar Inc. Peoria, Ill.,1993      *Parts Manual* Caterpillar Inc. Peoria, Ill.,1994

Ignite the flame of optimism with Get Inspired by is motivational masterpiece, Fuel Your Spirit with **Kubota Rtv 9000 Parts Manual** . In a downloadable PDF format ( Download in PDF: \*), this ebook is a beacon of encouragement. Download now and let the words propel you towards a brighter, more motivated tomorrow.

[http://www.armchairempire.com/book/detail/fetch.php/Manual\\_Piper\\_Saratoga\\_Sp.pdf](http://www.armchairempire.com/book/detail/fetch.php/Manual_Piper_Saratoga_Sp.pdf)

## **Table of Contents Kubota Rtv 9000 Parts Manual**

1. Understanding the eBook Kubota Rtv 9000 Parts Manual
  - The Rise of Digital Reading Kubota Rtv 9000 Parts Manual
  - Advantages of eBooks Over Traditional Books
2. Identifying Kubota Rtv 9000 Parts Manual
  - Exploring Different Genres
  - Considering Fiction vs. Non-Fiction
  - Determining Your Reading Goals
3. Choosing the Right eBook Platform
  - Popular eBook Platforms
  - Features to Look for in an Kubota Rtv 9000 Parts Manual
  - User-Friendly Interface
4. Exploring eBook Recommendations from Kubota Rtv 9000 Parts Manual
  - Personalized Recommendations
  - Kubota Rtv 9000 Parts Manual User Reviews and Ratings
  - Kubota Rtv 9000 Parts Manual and Bestseller Lists
5. Accessing Kubota Rtv 9000 Parts Manual Free and Paid eBooks
  - Kubota Rtv 9000 Parts Manual Public Domain eBooks
  - Kubota Rtv 9000 Parts Manual eBook Subscription Services
  - Kubota Rtv 9000 Parts Manual Budget-Friendly Options
6. Navigating Kubota Rtv 9000 Parts Manual eBook Formats

- ePub, PDF, MOBI, and More
  - Kubota Rtv 9000 Parts Manual Compatibility with Devices
  - Kubota Rtv 9000 Parts Manual Enhanced eBook Features
7. Enhancing Your Reading Experience
    - Adjustable Fonts and Text Sizes of Kubota Rtv 9000 Parts Manual
    - Highlighting and Note-Taking Kubota Rtv 9000 Parts Manual
    - Interactive Elements Kubota Rtv 9000 Parts Manual
  8. Staying Engaged with Kubota Rtv 9000 Parts Manual
    - Joining Online Reading Communities
    - Participating in Virtual Book Clubs
    - Following Authors and Publishers Kubota Rtv 9000 Parts Manual
  9. Balancing eBooks and Physical Books Kubota Rtv 9000 Parts Manual
    - Benefits of a Digital Library
    - Creating a Diverse Reading Collection Kubota Rtv 9000 Parts Manual
  10. Overcoming Reading Challenges
    - Dealing with Digital Eye Strain
    - Minimizing Distractions
    - Managing Screen Time
  11. Cultivating a Reading Routine Kubota Rtv 9000 Parts Manual
    - Setting Reading Goals Kubota Rtv 9000 Parts Manual
    - Carving Out Dedicated Reading Time
  12. Sourcing Reliable Information of Kubota Rtv 9000 Parts Manual
    - Fact-Checking eBook Content of Kubota Rtv 9000 Parts Manual
    - Distinguishing Credible Sources
  13. Promoting Lifelong Learning
    - Utilizing eBooks for Skill Development
    - Exploring Educational eBooks
  14. Embracing eBook Trends
    - Integration of Multimedia Elements
    - Interactive and Gamified eBooks

### **Kubota Rtv 9000 Parts Manual Introduction**

In today's digital age, the availability of Kubota Rtv 9000 Parts Manual books and manuals for download has revolutionized the way we access information. Gone are the days of physically flipping through pages and carrying heavy textbooks or manuals. With just a few clicks, we can now access a wealth of knowledge from the comfort of our own homes or on the go. This article will explore the advantages of Kubota Rtv 9000 Parts Manual books and manuals for download, along with some popular platforms that offer these resources. One of the significant advantages of Kubota Rtv 9000 Parts Manual books and manuals for download is the cost-saving aspect. Traditional books and manuals can be costly, especially if you need to purchase several of them for educational or professional purposes. By accessing Kubota Rtv 9000 Parts Manual versions, you eliminate the need to spend money on physical copies. This not only saves you money but also reduces the environmental impact associated with book production and transportation. Furthermore, Kubota Rtv 9000 Parts Manual books and manuals for download are incredibly convenient. With just a computer or smartphone and an internet connection, you can access a vast library of resources on any subject imaginable. Whether you're a student looking for textbooks, a professional seeking industry-specific manuals, or someone interested in self-improvement, these digital resources provide an efficient and accessible means of acquiring knowledge. Moreover, PDF books and manuals offer a range of benefits compared to other digital formats. PDF files are designed to retain their formatting regardless of the device used to open them. This ensures that the content appears exactly as intended by the author, with no loss of formatting or missing graphics. Additionally, PDF files can be easily annotated, bookmarked, and searched for specific terms, making them highly practical for studying or referencing. When it comes to accessing Kubota Rtv 9000 Parts Manual books and manuals, several platforms offer an extensive collection of resources. One such platform is Project Gutenberg, a nonprofit organization that provides over 60,000 free eBooks. These books are primarily in the public domain, meaning they can be freely distributed and downloaded. Project Gutenberg offers a wide range of classic literature, making it an excellent resource for literature enthusiasts. Another popular platform for Kubota Rtv 9000 Parts Manual books and manuals is Open Library. Open Library is an initiative of the Internet Archive, a non-profit organization dedicated to digitizing cultural artifacts and making them accessible to the public. Open Library hosts millions of books, including both public domain works and contemporary titles. It also allows users to borrow digital copies of certain books for a limited period, similar to a library lending system. Additionally, many universities and educational institutions have their own digital libraries that provide free access to PDF books and manuals. These libraries often offer academic texts, research papers, and technical manuals, making them invaluable resources for students and researchers. Some notable examples include MIT OpenCourseWare, which offers free access to course materials from the Massachusetts Institute of Technology, and the Digital Public Library of America, which provides a vast collection of digitized books and historical documents. In conclusion, Kubota Rtv 9000 Parts Manual books and manuals for download

have transformed the way we access information. They provide a cost-effective and convenient means of acquiring knowledge, offering the ability to access a vast library of resources at our fingertips. With platforms like Project Gutenberg, Open Library, and various digital libraries offered by educational institutions, we have access to an ever-expanding collection of books and manuals. Whether for educational, professional, or personal purposes, these digital resources serve as valuable tools for continuous learning and self-improvement. So why not take advantage of the vast world of Kubota Rtv 9000 Parts Manual books and manuals for download and embark on your journey of knowledge?

### FAQs About Kubota Rtv 9000 Parts Manual Books

1. Where can I buy Kubota Rtv 9000 Parts Manual books? Bookstores: Physical bookstores like Barnes & Noble, Waterstones, and independent local stores. Online Retailers: Amazon, Book Depository, and various online bookstores offer a wide range of books in physical and digital formats.
2. What are the different book formats available? Hardcover: Sturdy and durable, usually more expensive. Paperback: Cheaper, lighter, and more portable than hardcovers. E-books: Digital books available for e-readers like Kindle or software like Apple Books, Kindle, and Google Play Books.
3. How do I choose a Kubota Rtv 9000 Parts Manual book to read? Genres: Consider the genre you enjoy (fiction, non-fiction, mystery, sci-fi, etc.). Recommendations: Ask friends, join book clubs, or explore online reviews and recommendations. Author: If you like a particular author, you might enjoy more of their work.
4. How do I take care of Kubota Rtv 9000 Parts Manual books? Storage: Keep them away from direct sunlight and in a dry environment. Handling: Avoid folding pages, use bookmarks, and handle them with clean hands. Cleaning: Gently dust the covers and pages occasionally.
5. Can I borrow books without buying them? Public Libraries: Local libraries offer a wide range of books for borrowing. Book Swaps: Community book exchanges or online platforms where people exchange books.
6. How can I track my reading progress or manage my book collection? Book Tracking Apps: Goodreads, LibraryThing, and Book Catalogue are popular apps for tracking your reading progress and managing book collections. Spreadsheets: You can create your own spreadsheet to track books read, ratings, and other details.
7. What are Kubota Rtv 9000 Parts Manual audiobooks, and where can I find them? Audiobooks: Audio recordings of books, perfect for listening while commuting or multitasking. Platforms: Audible, LibriVox, and Google Play Books offer a wide selection of audiobooks.

8. How do I support authors or the book industry? Buy Books: Purchase books from authors or independent bookstores. Reviews: Leave reviews on platforms like Goodreads or Amazon. Promotion: Share your favorite books on social media or recommend them to friends.
9. Are there book clubs or reading communities I can join? Local Clubs: Check for local book clubs in libraries or community centers. Online Communities: Platforms like Goodreads have virtual book clubs and discussion groups.
10. Can I read Kubota Rtv 9000 Parts Manual books for free? Public Domain Books: Many classic books are available for free as they're in the public domain. Free E-books: Some websites offer free e-books legally, like Project Gutenberg or Open Library.

### Find Kubota Rtv 9000 Parts Manual :

[manual piper saratoga sp](#)

[manual reinell 203 volvo penta](#)

[manual reset 14acx](#)

**manual repair ford escape 2001 torrent**

*manual programming for blackberry curve 8330*

[manual pump truck training](#)

[manual piaggio 50 4t](#)

**manual peugeot partner diesel 2000**

**manual samsung duos tv i6712**

**manual premio 88**

**manual payroll exam**

[manual patch lol](#)

**manual sandvik**

[manual panasonic dect 60 portugues](#)

[manual onkyo tx-sr606](#)

### Kubota Rtv 9000 Parts Manual :

TradeStation Made Easy!: Using EasyLanguage to Build ... TradeStation Made Easy!: Using EasyLanguage to Build ... Wiley Trading: Tradestation Made Easy!: Using ... Customize your trading plan for greater profits using the mostpopular charting



software. The majority of professional and individual traders use somekind of ... TradeStation Made Easy!: Using... book by Sunny J. Harris Customize your trading plan for greater profits using the mostpopular charting software The majority of professional and individual traders use somekind of ... TradeStation Made Easy! (Using EasyLanguage to Build ... This book title, TradeStation Made Easy! (Using EasyLanguage to Build Profits with the World's Most Popular Trading Software), ISBN: 9780471353539, by Sunny J. Using EasyLanguage to Build Profits with the World Customize your trading plan for greater profits using the mostpopular charting software The majority of professional and individual traders use somekind of ... TradeStation Made Easy!: Using EasyLanguage to Build ... Customize your trading plan for greater profits using the mostpopular charting software. The majority of professional and individual traders use somekind of ... TradeStation Made Easy!: Using EasyLanguage to Build ... Customize your trading plan for greater profits using the mostpopular charting software. The majority of professional and individual traders use somekind of ... TradeStation Made Easy!: Using EasyLanguage to Build ... TradeStation Made Easy!: Using EasyLanguage to Build Profits with the World's Mo ; Condition. Brand New ; Quantity. 3 available ; Item Number. 386270954550 ; ISBN- ... TradeStation Made Easy!: Using EasyLanguage to Build ... Mar 4, 2011 — Customize your trading plan for greater profits using the mostpopular charting software. The majority of professional and individual traders ... TradeStation Made Easy! : Using EasyLanguage to Build ... "Customize your trading plan for greater profits using the most popular charting software. While this software is favored by many, TradeStation's computer ... BYU Geometry 41 Therom List Flashcards Supplements of congruent angles are congruent (lesson 2 Speedback). THEOREM 2.8. Vertical angles are congruent (lesson 2 Speedback). THEOREM 3.1. Two lines ... Course Catalog Speed Reading. READ 041 | High School | 0.50 Credit Hours | \$199.00. Reading ... Geometry, Part 1 · New Course · UC Approved · UC-C · NCAA Approved · OSPI ... BYU WRIT041- Self Check 2.2 Flashcards Study with Quizlet and memorize flashcards containing terms like What is the auxiliary verb in the following sentences? I will call him tomorrow., ... Geometry, Part 1 This course is a study of segments and angles, mathematical reasoning, parallel lines, triangles, polygons, quadrilaterals, and similarity. AP Calculus AB, Part 2 Concepts that students have learned from algebra and geometry that may have been confusing will be made clear in this course. This is the second course in a ... Byu Algebra 1 Answers byu algebra 1 answers. BYU ALGEBRA part 2 question pls help 7. Algebra 1 Guided Practive Answers. TEACHERS EDITION. Byu algebra 2 answers | Math Formulas. Anyone have experience w/BYU online classes? Feb 20, 2014 — My daughter will take the chapter 6 speedback tomorrow. The test is multiple choice and we submit her answers online. It is graded instantly. BYU Independent Study.pdf Aug 1, 2021 — Definitions. 1,1 "Courses" means the BYU Independent Study HiSh. School Suite online courses listed in Schedule B, including. Geometry Archive: Questions from July 23, 2014 Jul 23, 2014 — Geometry archive containing a full list of geometry questions and answers from July 23 2014. Home | V2i Group - Making Complex Information Easy to ... Globally recognised and multi award winning 3D visualisation and software products for the mining

and resources, health and eLearning sectors. V2i: Home V2i offers a full range of customised services in the field of mechanical vibrations, with both theoretical and experimental expertise. Our own experience has ... 1pc USED AM24SS3DGB Step-Servo Motor TESTED ... 1pc USED AM24SS3DGB Step-Servo Motor TESTED #V2IG CH ; Brand. Unbranded ; MPN. Does Not Apply ; Accurate description. 4.9 ; Reasonable shipping cost. 5.0 ; Shipping ... \* F A H A D □ (@v2ig) • Instagram photos and videos 181 Followers, 216 Following, 4 Posts - See Instagram photos and videos from \* F A H A D (@v2ig) SILO V2 Silo Venting Filters SILO V2 is a cylindrically shaped Dust Collector for venting pneumatically filled silos. Its stainless steel casing contains vertically mounted cartridge filter ... Is v2ig.com valid e-mail domain - Check-Mail Domain: v2ig.com. Valid: Yes. This domain is valid and should be able to receive e-mail. Tested MX: alt1.aspmx.l.google.com (142.251.111.26). V2IG© (@v2ig\_hi) V2IG© (@v2ig\_hi) on TikTok | Hi©©©. Watch the latest video from V2IG© (@v2ig\_hi). v2IG - Michael Sanford @v2IG. Joined January 2010. 0 Following · 2 Followers · Posts · Replies ... @v2IG. · Sep 20, 2010. Check out this link on the Fogo Channel: [http ...](http://...) Search results for v2ig Your biggest Specialist in Europe for the finest handmade quality swords, katanas & replicas from all your favorite movies, anime, games & much more! V2I Verivolt LLC | Industrial Automation and Controls Order today, ships today. V2I - Voltage Transducer ±10V Input 4 ~ 20mA Output 24VDC DIN Rail from Verivolt LLC. Pricing and Availability on millions of ...