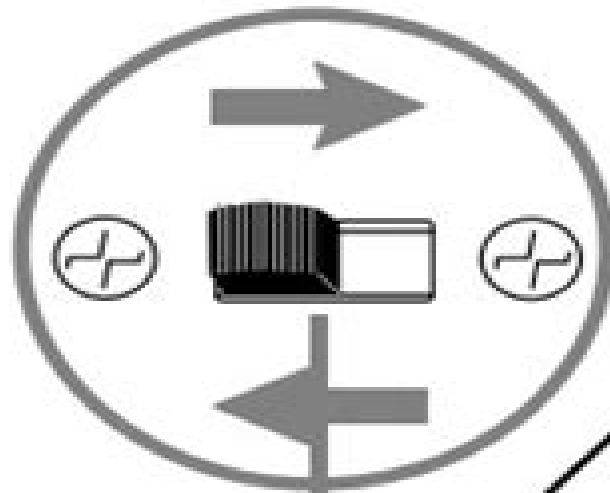
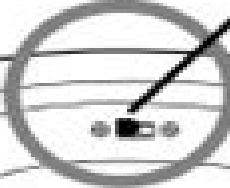


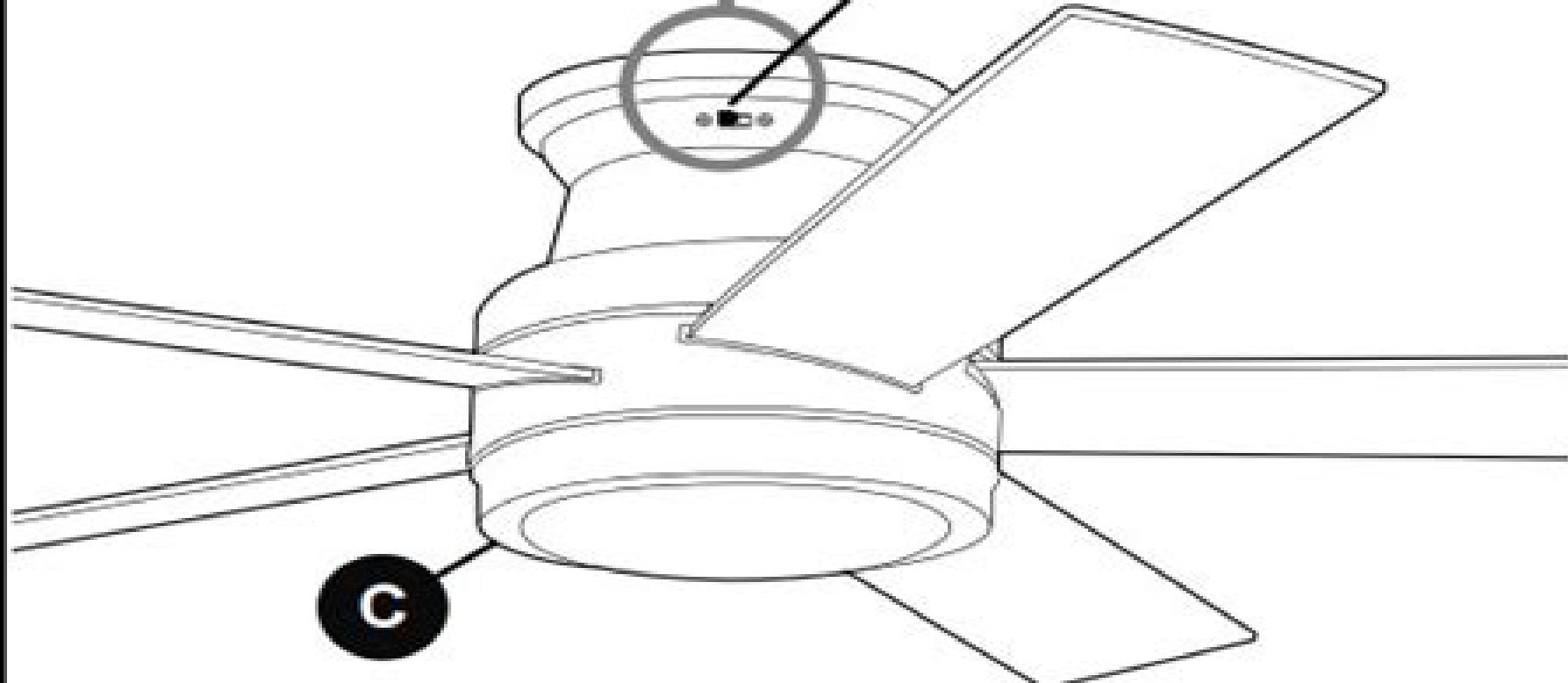
4



Reverse
Switch



C



Harbor Breeze Ceiling Fan Reverse Manual

Daniel F McAuley



Harbor Breeze Ceiling Fan Reverse Manual:

Thank you very much for downloading **Harbor Breeze Ceiling Fan Reverse Manual**. Maybe you have knowledge that, people have look numerous time for their favorite books like this Harbor Breeze Ceiling Fan Reverse Manual, but stop taking place in harmful downloads.

Rather than enjoying a good book next a mug of coffee in the afternoon, then again they juggled considering some harmful virus inside their computer. **Harbor Breeze Ceiling Fan Reverse Manual** is straightforward in our digital library an online entry to it is set as public thus you can download it instantly. Our digital library saves in merged countries, allowing you to acquire the most less latency epoch to download any of our books once this one. Merely said, the Harbor Breeze Ceiling Fan Reverse Manual is universally compatible later any devices to read.

http://www.armchairempire.com/book/scholarship/HomePages/husqvarna_smaragd_manual.pdf

Table of Contents Harbor Breeze Ceiling Fan Reverse Manual

1. Understanding the eBook Harbor Breeze Ceiling Fan Reverse Manual
 - The Rise of Digital Reading Harbor Breeze Ceiling Fan Reverse Manual
 - Advantages of eBooks Over Traditional Books
2. Identifying Harbor Breeze Ceiling Fan Reverse Manual
 - Exploring Different Genres
 - Considering Fiction vs. Non-Fiction
 - Determining Your Reading Goals
3. Choosing the Right eBook Platform
 - Popular eBook Platforms
 - Features to Look for in an Harbor Breeze Ceiling Fan Reverse Manual
 - User-Friendly Interface
4. Exploring eBook Recommendations from Harbor Breeze Ceiling Fan Reverse Manual
 - Personalized Recommendations
 - Harbor Breeze Ceiling Fan Reverse Manual User Reviews and Ratings

- Harbor Breeze Ceiling Fan Reverse Manual and Bestseller Lists
- 5. Accessing Harbor Breeze Ceiling Fan Reverse Manual Free and Paid eBooks
 - Harbor Breeze Ceiling Fan Reverse Manual Public Domain eBooks
 - Harbor Breeze Ceiling Fan Reverse Manual eBook Subscription Services
 - Harbor Breeze Ceiling Fan Reverse Manual Budget-Friendly Options
- 6. Navigating Harbor Breeze Ceiling Fan Reverse Manual eBook Formats
 - ePub, PDF, MOBI, and More
 - Harbor Breeze Ceiling Fan Reverse Manual Compatibility with Devices
 - Harbor Breeze Ceiling Fan Reverse Manual Enhanced eBook Features
- 7. Enhancing Your Reading Experience
 - Adjustable Fonts and Text Sizes of Harbor Breeze Ceiling Fan Reverse Manual
 - Highlighting and Note-Taking Harbor Breeze Ceiling Fan Reverse Manual
 - Interactive Elements Harbor Breeze Ceiling Fan Reverse Manual
- 8. Staying Engaged with Harbor Breeze Ceiling Fan Reverse Manual
 - Joining Online Reading Communities
 - Participating in Virtual Book Clubs
 - Following Authors and Publishers Harbor Breeze Ceiling Fan Reverse Manual
- 9. Balancing eBooks and Physical Books Harbor Breeze Ceiling Fan Reverse Manual
 - Benefits of a Digital Library
 - Creating a Diverse Reading Collection Harbor Breeze Ceiling Fan Reverse Manual
- 10. Overcoming Reading Challenges
 - Dealing with Digital Eye Strain
 - Minimizing Distractions
 - Managing Screen Time
- 11. Cultivating a Reading Routine Harbor Breeze Ceiling Fan Reverse Manual
 - Setting Reading Goals Harbor Breeze Ceiling Fan Reverse Manual
 - Carving Out Dedicated Reading Time
- 12. Sourcing Reliable Information of Harbor Breeze Ceiling Fan Reverse Manual
 - Fact-Checking eBook Content of Harbor Breeze Ceiling Fan Reverse Manual
 - Distinguishing Credible Sources

13. Promoting Lifelong Learning
 - Utilizing eBooks for Skill Development
 - Exploring Educational eBooks
14. Embracing eBook Trends
 - Integration of Multimedia Elements
 - Interactive and Gamified eBooks

Harbor Breeze Ceiling Fan Reverse Manual Introduction

In the digital age, access to information has become easier than ever before. The ability to download Harbor Breeze Ceiling Fan Reverse Manual has revolutionized the way we consume written content. Whether you are a student looking for course material, an avid reader searching for your next favorite book, or a professional seeking research papers, the option to download Harbor Breeze Ceiling Fan Reverse Manual has opened up a world of possibilities. Downloading Harbor Breeze Ceiling Fan Reverse Manual provides numerous advantages over physical copies of books and documents. Firstly, it is incredibly convenient. Gone are the days of carrying around heavy textbooks or bulky folders filled with papers. With the click of a button, you can gain immediate access to valuable resources on any device. This convenience allows for efficient studying, researching, and reading on the go. Moreover, the cost-effective nature of downloading Harbor Breeze Ceiling Fan Reverse Manual has democratized knowledge. Traditional books and academic journals can be expensive, making it difficult for individuals with limited financial resources to access information. By offering free PDF downloads, publishers and authors are enabling a wider audience to benefit from their work. This inclusivity promotes equal opportunities for learning and personal growth. There are numerous websites and platforms where individuals can download Harbor Breeze Ceiling Fan Reverse Manual. These websites range from academic databases offering research papers and journals to online libraries with an expansive collection of books from various genres. Many authors and publishers also upload their work to specific websites, granting readers access to their content without any charge. These platforms not only provide access to existing literature but also serve as an excellent platform for undiscovered authors to share their work with the world. However, it is essential to be cautious while downloading Harbor Breeze Ceiling Fan Reverse Manual. Some websites may offer pirated or illegally obtained copies of copyrighted material. Engaging in such activities not only violates copyright laws but also undermines the efforts of authors, publishers, and researchers. To ensure ethical downloading, it is advisable to utilize reputable websites that prioritize the legal distribution of content. When downloading Harbor Breeze Ceiling Fan Reverse Manual, users should also consider the potential security risks associated with online platforms. Malicious actors may exploit vulnerabilities in unprotected websites to distribute malware or steal personal information. To protect themselves,

individuals should ensure their devices have reliable antivirus software installed and validate the legitimacy of the websites they are downloading from. In conclusion, the ability to download Harbor Breeze Ceiling Fan Reverse Manual has transformed the way we access information. With the convenience, cost-effectiveness, and accessibility it offers, free PDF downloads have become a popular choice for students, researchers, and book lovers worldwide. However, it is crucial to engage in ethical downloading practices and prioritize personal security when utilizing online platforms. By doing so, individuals can make the most of the vast array of free PDF resources available and embark on a journey of continuous learning and intellectual growth.

FAQs About Harbor Breeze Ceiling Fan Reverse Manual Books

What is a Harbor Breeze Ceiling Fan Reverse Manual PDF? A PDF (Portable Document Format) is a file format developed by Adobe that preserves the layout and formatting of a document, regardless of the software, hardware, or operating system used to view or print it. **How do I create a Harbor Breeze Ceiling Fan Reverse Manual PDF?** There are several ways to create a PDF: Use software like Adobe Acrobat, Microsoft Word, or Google Docs, which often have built-in PDF creation tools. Print to PDF: Many applications and operating systems have a "Print to PDF" option that allows you to save a document as a PDF file instead of printing it on paper. Online converters: There are various online tools that can convert different file types to PDF. **How do I edit a Harbor Breeze Ceiling Fan Reverse Manual PDF?** Editing a PDF can be done with software like Adobe Acrobat, which allows direct editing of text, images, and other elements within the PDF. Some free tools, like PDFescape or Smallpdf, also offer basic editing capabilities. **How do I convert a Harbor Breeze Ceiling Fan Reverse Manual PDF to another file format?** There are multiple ways to convert a PDF to another format: Use online converters like Smallpdf, Zamzar, or Adobe Acrobats export feature to convert PDFs to formats like Word, Excel, JPEG, etc. Software like Adobe Acrobat, Microsoft Word, or other PDF editors may have options to export or save PDFs in different formats. **How do I password-protect a Harbor Breeze Ceiling Fan Reverse Manual PDF?** Most PDF editing software allows you to add password protection. In Adobe Acrobat, for instance, you can go to "File" -> "Properties" -> "Security" to set a password to restrict access or editing capabilities. Are there any free alternatives to Adobe Acrobat for working with PDFs? Yes, there are many free alternatives for working with PDFs, such as: LibreOffice: Offers PDF editing features. PDFsam: Allows splitting, merging, and editing PDFs. Foxit Reader: Provides basic PDF viewing and editing capabilities. How do I compress a PDF file? You can use online tools like Smallpdf, ILovePDF, or desktop software like Adobe Acrobat to compress PDF files without significant quality loss. Compression reduces the file size, making it easier to share and download. Can I fill out forms in a PDF file? Yes, most PDF viewers/editors like Adobe Acrobat, Preview (on Mac), or

various online tools allow you to fill out forms in PDF files by selecting text fields and entering information. Are there any restrictions when working with PDFs? Some PDFs might have restrictions set by their creator, such as password protection, editing restrictions, or print restrictions. Breaking these restrictions might require specific software or tools, which may or may not be legal depending on the circumstances and local laws.

Find Harbor Breeze Ceiling Fan Reverse Manual :

[husqvarna smaragd manual](#)

[husqvarna viking 750 manual](#)

[hydraulic press maintenance manual](#)

[husky electric cement mixer owners manual](#)

[hydro flame 8525 service manual](#)

[hydrodynamics of coastal zones elsevier oceanography series](#)

[hwacheon machine manual](#)

[hvac design manual for hospitals operation theater](#)

[hypershark tod aus dem unterholz](#)

[husqvarna 245r repair manual](#)

[hyosung cruise ii manual](#)

[husqvarna chainsaw operators manual 61 268](#)

husky gvc190 pressure washer manual

[hyper v security syrewicze andy](#)

[hydrothermal processes and mineral systems](#)

Harbor Breeze Ceiling Fan Reverse Manual :

technical manuals emak - Jul 15 2023

web manuals filling the following spaces in you will have the chance to find and consult or download the selected material if this new search gives a negative result you can ask for it filling the specific form for manual request search by accessories

piston kit for oleo mac 433bp 730 733s 733t 433 bp - Mar 11 2023

web specifications related products questions 0 this listing is about a brand new after market piston kit in its original package for oleo mac 433 bp 730 733s 733t models 37mm in diameter which replaces oem part 073300072 piston kit fit oleo

mac 433bp 730 733s 733t 433 bp 37mm 73300072

accessories for brush cutters oleo mac emak - Oct 18 2023

web discover the the accessories for brush cutters by oleo mac online find the most suitable accessory for your needs by browsing the wide range of oleo mac

bump feed trimmer head oleo mac 727 730 733 735 740 746 - Jan 09 2023

web product features 1 complete assembled unit assembly includes outer casing inner spool inner spring top cover threaded adapter and 2 4mm trimmer line pre fitted 2 professional quality strong plastic product made in europe 3 bump feed

oleo mac central coast tractors - Nov 07 2022

web the oleo mac range includes a great range of garden implements including chainsaws polesaw power cutters hedge trimmers brushcutters trimmers blowers water pump for more information contact our friendly staff or come in store to see the range first hand

oleo mac trimmer and brush cutter parts japg mowers - Jun 14 2023

web for oleo mac trimmers strimmers brush cutters sparta 25 25s 25tr 26 26tr 37 37s 38 44 440s 440t 250t 433bp 435bp 441bp 450bp 453bp 720 726t 727c 727s 727t 730t 733s 735t 740t 741 750 master 750t 753t 755 master bc380t bc420t bp42 oleo mac blowers bv162 oleo mac augers mtl51 oleo mac water

oleo mac 733t book - Jul 03 2022

web oleo mac 733t construction litigation desk reference sep 05 2023 m 60 improvement leed road cassopolis cass county oct 14 2021 nelson textbook of pediatrics 2 volume set apr 19 2022 after more than 75 years nelson textbook of pediatrics remains your indispensable source for definitive

oleo mac 753 t manuals manualslib - May 13 2023

web oleo mac 753 t manuals manuals and user guides for oleo mac 753 t we have 1 oleo mac 753 t manual available for free pdf download operators instruction book oleo mac 753 t operators instruction book 72 pages brand oleo mac category trimmer size 2 29 mb table of contents introduzione 2 introduction 2 enleitung 2

starter pulley rotor oleo mac 733s 733t 735s 735t - Jan 29 2022

web part 072700085br 072700085b 072700085a for oleo mac 733s 733t 735s 735t trimmers strimmers brush cutters 1 x brand new best quality aftermarket replacement starter pulley rope rotor reel free delivery within the uk

oleo mac 733t willistowerswatson lifesight nl - Feb 27 2022

web oleo mac 733t oleo mac 733t 2 downloaded from willistowerswatson lifesight nl on 2020 11 12 by guest versions adopted for various roles including nuclear capable bombers anti shipping missile strike aircraft torpedo bombers and minelayers numerous reconnaissance and ecm variants assorted development aircraft for testing new

oleo mac 733t pdf support ortax org - May 01 2022

web oleo mac 733t pdf introduction oleo mac 733t pdf pdf tribal names of the americas patricia roberts clark 2009 10 21 scholars have long worked to identify the names of tribes and other groupings in the americas a task made difficult by the sheer number of indigenous groups and the many names that have been passed down only

karburátor walbro oleo mac 730 733 733 735 735t 740 - Sep 05 2022

web skladem značka oleo mac 76 05 bez dph 92 02 kód 2318340r membránová sada oleo mac gs350 gsh400 originál 2318340r skladem značka oleomac 8 18 bez dph 9 90 kód wt 494 karburátor walbro wt 494 nahrazuje wt 162 oleo mac 942 946 951 efco 142 146 151 skladem značka walbro

spare parts for oleo mac 730t all dlastore com - Apr 12 2023

web carburetor diaphragm repair kit for oleo mac brush cutters 074000151 special price 8 28 regular price 8 91 add to cart add to wish list add to compare product code 1029508 crankshaft bearing set for oleo mac machines 094000006 special price 9 20 regular price 9 89 add to cart add to wish list add to compare product code

karburátor zama pro oleo mac 727t 733t 735t 740t 750t - Jun 02 2022

web karburátor zama pro oleo mac 727t 733t 735t 740t 750t 750t mtl40 mtl51 originál c1q e3 typ dílu originál katalogové číslo c1q e3 420 720 993 741 info kasumex cz

herefordshire online carboot oleo mac 733t brush cutter - Oct 06 2022

web oleo mac 733t brush cutter a good quality machine in very good used condition starts runs and works well

oleo mac products for the care of green areas oleo mac - Sep 17 2023

web nov 10 2023 read the article oleo mac catalog 2023 the wide range covers all shades of green with different models depending on the needs united by exceptional quality standards for performance reliability comfort and safety flip through it

oleo mac 735 t download instruction manual pdf mansio - Feb 10 2023

web support forum oleo mac 735 t ask a question replies 0 what size line goes into my oleomac strimmer 735t see all answers replies 0 my wire has come out of my ole mac 735t strimmer the one that makes the head spin should be connected on top of strimmer there seems to be a screw missing that should hold it in place but i can t see where it

753 t professional brushcutters oleo mac emak - Aug 16 2023

web professional 753 t professional brushcutters 753 t power displacement 2 8 hp 2 1 kw 52 5 cm³ cutting components 130 mm dia load go head with 3 00 mm dia line 305 mm dia disc with 3 blades dry weight without cutting tools 8 2 kg read all the features add to favourites technical features user s and maintenance manuals

oleo mac 733t graph safehousetech com - Mar 31 2022

web oleo mac 733t 3 3 from the father s racketeering fortune building and tax evasion prosecution to the son s current

publishing and political ventures suspended somewhere between prabhat prakashan revista da propriedade industrial the million word crossword dictionary pm press the establishment of nato posed the need for the soviet war

[oleo mac parts lawnmower parts online](#) - Aug 04 2022

web view products air filter for oleo mac 730 740 tp74 72700461 3 15 view product air filter for oleo mac ht26 ht27 61070005r 3 15 view product key for oleo mac om125 om105 om95 476286 473258 ak473258 4 50 view product key for oleo mac om125 om105 om95 476286 473258 ak473258 4 50 view product

[oleo mac 735 s download instruction manual pdf mansio](#) - Dec 08 2022

web support forum oleo mac 735 s there are no messages for this device yet ask a question add instruction order instruction similar devices oleo mac 440 bp oleo mac max 44 pbx oleo mac 725 t ergo oleo mac 925 oleo mac 730 s articles here are 15 useful online services for your business and hobbies

[გთავაზობთ 2012 წლის naec ge გამოცდების ეროვნული](#) - May 15 2023

web გთავაზობთ 2012 წლის მასწავლებელთა სასერტიფიკაციო გამოცდების პროფესიული უნარების ტესტებს და პასუხებს naec ge პროფესიული უნარები all reactions 50

[ii varianti savaldebulo gamocda 2012 aris ge](#) - Jun 16 2023

web 2 i teqstis redaqtireba 20 qula teqstsi dasvebulia 18 morfologiur ortografiuli sintaqsuru punqtuaciuri sec doma da stilisturi xarvezi gaasworet es secdomebi da xarvezebi da ise gadaweret

[ისტორია ეროვნულების ტესტები აბიტურიენტებისთვის](#) - Nov 09 2022

web ისტორია ii ვარიანტი 2012 ისტორია ii ვარიანტი სწორი პასუხები 2012 2011 წლის ტესტები ისტორია i ვარიანტი 2011 **ertiani erovnuli gamocdebis testebi matematikashi** - Feb 12 2023

web ertiani erovnuli gamocdebis testebi matematikashi title ertiani erovnuli gamocdebis testebi matematikashi full pdf ead3 archivists org subject ertiani erovnuli gamocdebis testebi matematikashi full pdf created date 10 16 2023 10 14 53 pm

testi qartul enasa da literaturasi education ge - Aug 06 2022

web testi qartul enasa da literaturasi education ge 4

2012 წლის ეროვნულ aris ge - Sep 19 2023

web may 3 2016 2012 წლის ეროვნულ გამოცდებზე გამოყენებული ტესტები პასუხები და შეფასების სქემა გამოცდები ერთიანი ეროვნული გამოცდები გამოცდებზე გამოყენებული ტესტები იხილეთ 2012 წლის ერთიანი ეროვნულ გამოცდებზე გამოყენებული ტესტები პასუხები და შეფასების სქემა ქართული ენა და ლიტერატურა ქართული ენა და

ag aris ge - Dec 10 2022

web 9 22 or sinjarasi motavsebulia sxvadasxva ufero txevadi naxsirwyalbadebi orive sinjaras daamates ramdenime wveti bromi ris sedegadac i sinjara si sitxe seifera ii si ki ufero darca romeli naxsirwyalbadebi seizleba yofiliyo motavsebuli titoeul

ეროვნული გამოცდების ტესტები აბიტურიენტებისთვის - Apr 14 2023

web შეამოწმე შენი ცოდნა ეროვნულ გამოცდებამდე ტესტის დაწყება უნივერსიტეტების და ფაკულტეტების კატალოგი აქ შეგიძლია მარტივად შეარჩიო შენი სასურველი ფაკულტეტი და უნივერსიტეტი უნივერსიტეტები ფაკულტეტები აბიტურიენტების ჟურნალი შპს ბრიტანული სასწავლო უნივერსიტეტი საქართველოში საქართველოს

წლის მასწავლებლის სასერტიფიკაციო გამოცდების - Jan 11 2023

web 2012 წლის საერთო სამაგისტრო გამოცდის მაქსიმალური ქულები და საგამოცდო დროის ხანგრძლივობა კონკურსში მონაწილეობის გასაგრძელებლად მაგისტრანტობის კანდიდატმა საერთო სამაგისტრო გამოცდის ოთხი ნაწილიდან მინიმალური კომპეტენციის ზღვარი უნდა გადალახოს სამ ნაწილში მაინც

2020 წლის ერთიან ეროვნულ aris ge - Jan 31 2022

web jul 11 2020 იხილეთ 2020 წლის ერთიან ეროვნულ გამოცდებზე გამოყენებული

ინგლისური და გერმანული ენის გამოცდებზე - Mar 13 2023

web jul 9 2013 უნარები დასაქმებისთვის სამუშაო შესვედრა ciu ში gruni ში

2012 წლის ეროვნული გამოცდების ტესტები - Jul 17 2023

web 2012 წლის ერთიან ეროვნულ გამოცდებზე გამოყენებული ტესტები და სწორი პასუხები უნარების ონლაინ ტესტები

ტესტი ქართულ ენასა და ლიტერატურაში - Mar 01 2022

web შეფასებისა და გამოცდების ეროვნული ცენტრი ტესტი ქართულ ენასა

2023 წლის ერთიან ეროვნულ გამოცდებზე გამოყენებული - Jul 05 2022

web jul 5 2023 იხილეთ 2023 წლის ერთიან ეროვნულ გამოცდებზე გამოყენებული

ertiani erovnuli gamocdebis testebi 2013 2023 evt jyrankola - May 03 2022

web 2 ertiani erovnuli gamocdebis testebi 2013 2022 07 05 ios press this volume gathers together essays on the theme of economic transition in central and eastern europe written by the former polish minister of finance in it the author summarizes the research on institutions institutional change and human behaviour that he has undertaken

სავარჯიშო აბიტურიენტებისთვის ერთიან ეროვნულ - Apr 02 2022

web jan 12 2021 შეფასებისა და გამოცდების ეროვნულმა ცენტრმა უკვე აღნიშნა რომ 2021 წელს რამოდენიმე საგნის გამოცდის ტესტებში გარკვეული ცვლილებები

education ge 2012 წლის ერთიან ეროვნულ გამოცდებზე - Aug 18 2023

web გთავაზობთ ქართული ენისა ლიტერატურის 2012 წლის ერთიანი ეროვნულ გამოცდებზე გამოყენებული ტესტების ყველა ვარიანტს

2012 წლის პრეტესტებზე გამოყენებული მე ვარ - Oct 08 2022

web 2012 წლის პრეტესტებზე გამოყენებული ტესტები bin ge download მე ვარ აბიტურიენტი პრეტესტები 2012 rar

ertiani erovnuli gamocdebis testebi matematikashi - Jun 04 2022

web 2 ertiani erovnuli gamocdebis testebi matematikashi 2022 08 16 communication networks rated voltage lightning protection circuits electrical protection equipment mechanical testing electrical testing surge limiters overvoltage protection design of transient protection systems cengage au

naec ge გამოცდების ეროვნული ცენტრი - Sep 07 2022

web საქართველო 2024 წელს საგანმანათლებლო მიღწევების შეფასების

9781406242904 ghosts and atoms monster science abebooks - Nov 05 2022

web ghosts and atoms monster science by wheeler toppen phd jodi at abebooks co uk isbn 10 140624290x isbn 13 9781406242904 raintree 2012 softcover

ghosts and atoms monster science kindle edition amazon in - Mar 09 2023

web ghosts and atoms monster science ebook wheeler toppen phd jodi haus estudio amazon in books

scientist ghost simulator roblox wiki fandom - Nov 24 2021

web rarity common scientist is a ghost located in the area 51 biome of the main hub this ghost has 1 100 hp which is awarded to the player in ectoplasm upon defeating it this

ghosts and atoms monster science 2012 edition open library - Apr 10 2023

web ghosts and atoms monster science by jodi wheeler toppen 2012 capstone global library ltd edition

ghosts and atoms monster science wheeler toppen phd - Dec 06 2022

web abebooks com ghosts and atoms monster science 9781429673297 by wheeler toppen phd jodi lyn and a great selection of similar new used and collectible books

amazon com customer reviews ghosts and atoms monster - Jan 07 2023

web find helpful customer reviews and review ratings for ghosts and atoms monster science at amazon com read honest and unbiased product reviews from our users

ghosts and atoms monster science kindle edition - Feb 08 2023

web ghosts and atoms monster science ebook wheeler toppen phd jodi haus estudio amazon com au kindle store

ghosts and atoms monster science softcover abebooks - Apr 29 2022

web abebooks com ghosts and atoms monster science 9781406242904 by jodi wheeler toppen and a great selection of similar new used and collectible books available now

ghosts and atoms monster science kindle edition amazon com - Jul 13 2023

web sep 1 2021 buy ghosts and atoms monster science read kindle store reviews amazon com amazon com ghosts and atoms monster science ebook wheeler

[ghosts and atoms monster science by jodi lyn wheeler](#) - May 11 2023

web aug 1 2011 ghosts and atoms monster science by jodi lyn wheeler toppen goodreads jump to ratings and reviews want to read kindle 7 69 rate this book

ghosts and atoms by estudio haus overdrive - Aug 02 2022

web aug 1 2021 ebook mid monster science by estudio haus read a sample sign up to save your library in cartoon format uses ghosts to explain the science of atoms

9781429673297 *ghosts and atoms monster science abebooks* - Oct 04 2022

web ghosts and atoms monster science by wheeler toppen phd jodi at abebooks co uk isbn 10 142967329x isbn 13 9781429673297 capstone press 2012 softcover

ghosts and atoms monster science amazon in - Feb 25 2022

web ghosts and atoms monster science haus estudio wheeler toppen phd jodi amazon in books

ghosts and atoms monster science unabridged apple books - Mar 29 2022

web mar 22 2022 kids young adults 2022

ghosts and atoms monster science paperback 10 aug 2012 - Jul 01 2022

web buy ghosts and atoms monster science uk ed by wheeler toppen phd jodi haus estudio isbn 9781406242904 from amazon s book store everyday low prices and

[ghosts and atoms monster science amazon com](#) - Aug 14 2023

web aug 1 2011 ghosts and atoms monster science wheeler toppen phd jodi lyn haus estudio 9781429673297 amazon com books books

ghosts and atoms monster science paperback amazon co uk - Jun 12 2023

web jul 26 2012 buy ghosts and atoms monster science illustrated by wheeler toppen phd jodi isbn 9781429673297 from amazon s book store everyday low prices and

ghosts and atoms monster science phd jodi wheeler toppen - Jan 27 2022

web fishpond turkey ghosts and atoms monster science by phd jodi wheeler toppen estudio haus illustrated buy books online ghosts and atoms monster science

9781429665810 ghosts and atoms monster science abebooks - Sep 03 2022

web abebooks com ghosts and atoms monster science 9781429665810 by wheeler toppen phd jodi lyn and a great selection of similar new used and collectible books

ghost science m3 on the app store - Dec 26 2021

web the twilight instrument utilizes a combination of gpu driven rendering and hardware configuration to amplify the small

amount of light captured by your device s camera sls

atom ghost simulator roblox wiki fandom - Oct 24 2021

web atom is a mythical pet that is rewarded along with furyflight at the end of agent blaze s last quest this item was designed by ibluze and stereotypical from the official bloxbyte

ghosts and atoms monster science by wheeler toppen phd - May 31 2022

web ghosts and atoms monster science by wheeler toppen phd jodi august 1 2011 paperback on amazon com free shipping on qualifying offers ghosts and atoms