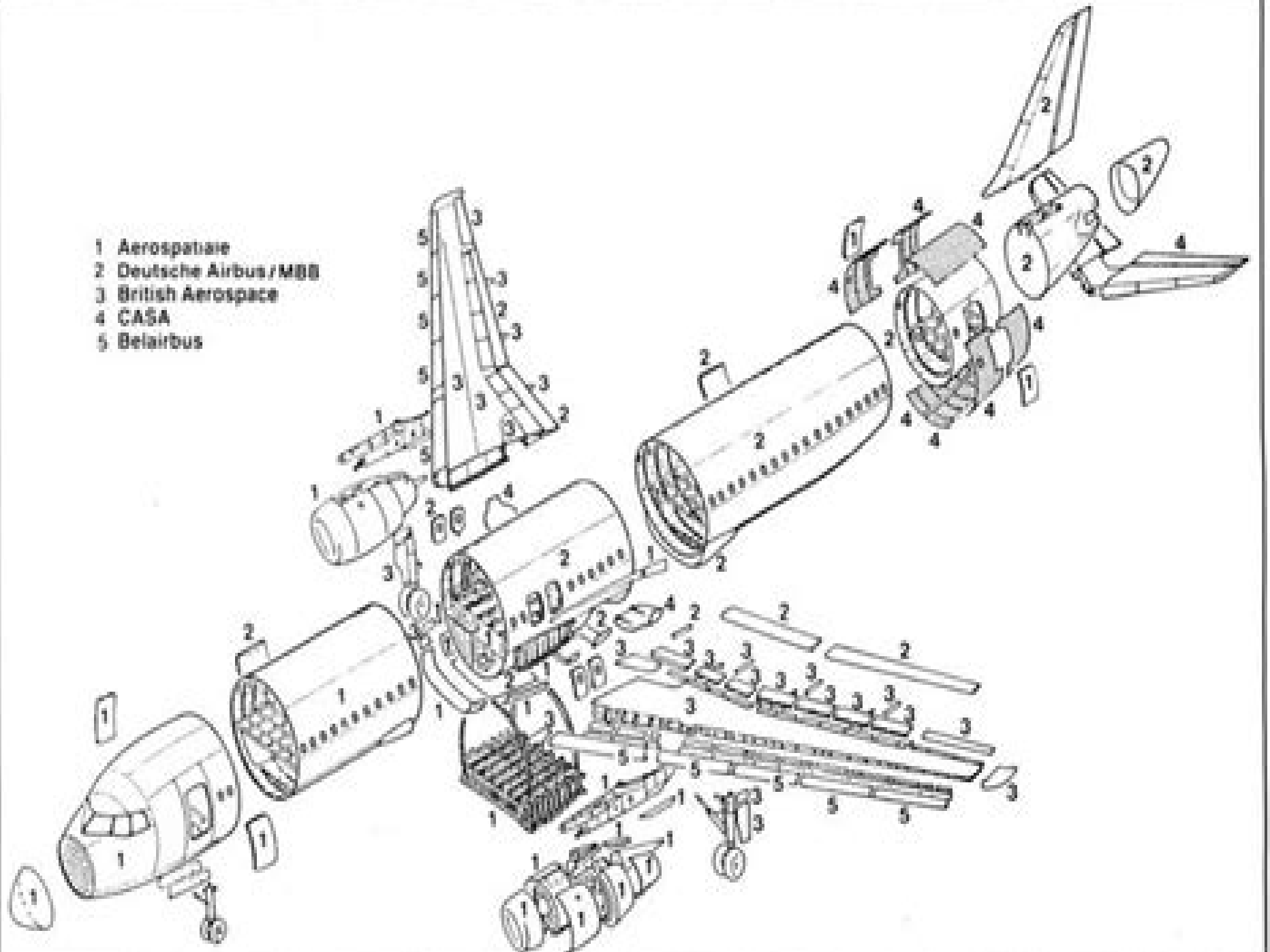


- 1 Aerospaziale
- 2 Deutsche Airbus/MBB
- 3 British Aerospace
- 4 CASA
- 5 Belairbus



Manuals With Technical Knowledge Of A 320 Engine

J Elliott



Manuals With Technical Knowledge Of A 320 Engine:

Manuals With Technical Knowledge Of A 320 Engine Book Review: Unveiling the Power of Words

In a world driven by information and connectivity, the power of words has become much more evident than ever. They have the capacity to inspire, provoke, and ignite change. Such could be the essence of the book **Manuals With Technical Knowledge Of A 320 Engine**, a literary masterpiece that delves deep to the significance of words and their effect on our lives. Compiled by a renowned author, this captivating work takes readers on a transformative journey, unraveling the secrets and potential behind every word. In this review, we will explore the book's key themes, examine its writing style, and analyze its overall effect on readers.

http://www.armchairempire.com/results/browse/Download_PDFS/john_cutnell_physics_solution_manual.pdf

Table of Contents Manuals With Technical Knowledge Of A 320 Engine

1. Understanding the eBook Manuals With Technical Knowledge Of A 320 Engine
 - The Rise of Digital Reading Manuals With Technical Knowledge Of A 320 Engine
 - Advantages of eBooks Over Traditional Books
2. Identifying Manuals With Technical Knowledge Of A 320 Engine
 - Exploring Different Genres
 - Considering Fiction vs. Non-Fiction
 - Determining Your Reading Goals
3. Choosing the Right eBook Platform
 - Popular eBook Platforms
 - Features to Look for in an Manuals With Technical Knowledge Of A 320 Engine
 - User-Friendly Interface
4. Exploring eBook Recommendations from Manuals With Technical Knowledge Of A 320 Engine
 - Personalized Recommendations
 - Manuals With Technical Knowledge Of A 320 Engine User Reviews and Ratings
 - Manuals With Technical Knowledge Of A 320 Engine and Bestseller Lists

5. Accessing Manuals With Technical Knowledge Of A 320 Engine Free and Paid eBooks
 - Manuals With Technical Knowledge Of A 320 Engine Public Domain eBooks
 - Manuals With Technical Knowledge Of A 320 Engine eBook Subscription Services
 - Manuals With Technical Knowledge Of A 320 Engine Budget-Friendly Options
6. Navigating Manuals With Technical Knowledge Of A 320 Engine eBook Formats
 - ePub, PDF, MOBI, and More
 - Manuals With Technical Knowledge Of A 320 Engine Compatibility with Devices
 - Manuals With Technical Knowledge Of A 320 Engine Enhanced eBook Features
7. Enhancing Your Reading Experience
 - Adjustable Fonts and Text Sizes of Manuals With Technical Knowledge Of A 320 Engine
 - Highlighting and Note-Taking Manuals With Technical Knowledge Of A 320 Engine
 - Interactive Elements Manuals With Technical Knowledge Of A 320 Engine
8. Staying Engaged with Manuals With Technical Knowledge Of A 320 Engine
 - Joining Online Reading Communities
 - Participating in Virtual Book Clubs
 - Following Authors and Publishers Manuals With Technical Knowledge Of A 320 Engine
9. Balancing eBooks and Physical Books Manuals With Technical Knowledge Of A 320 Engine
 - Benefits of a Digital Library
 - Creating a Diverse Reading Collection Manuals With Technical Knowledge Of A 320 Engine
10. Overcoming Reading Challenges
 - Dealing with Digital Eye Strain
 - Minimizing Distractions
 - Managing Screen Time
11. Cultivating a Reading Routine Manuals With Technical Knowledge Of A 320 Engine
 - Setting Reading Goals Manuals With Technical Knowledge Of A 320 Engine
 - Carving Out Dedicated Reading Time
12. Sourcing Reliable Information of Manuals With Technical Knowledge Of A 320 Engine
 - Fact-Checking eBook Content of Manuals With Technical Knowledge Of A 320 Engine
 - Distinguishing Credible Sources
13. Promoting Lifelong Learning

- Utilizing eBooks for Skill Development
- Exploring Educational eBooks

14. Embracing eBook Trends

- Integration of Multimedia Elements
- Interactive and Gamified eBooks

Manuals With Technical Knowledge Of A 320 Engine Introduction

In this digital age, the convenience of accessing information at our fingertips has become a necessity. Whether its research papers, eBooks, or user manuals, PDF files have become the preferred format for sharing and reading documents. However, the cost associated with purchasing PDF files can sometimes be a barrier for many individuals and organizations. Thankfully, there are numerous websites and platforms that allow users to download free PDF files legally. In this article, we will explore some of the best platforms to download free PDFs. One of the most popular platforms to download free PDF files is Project Gutenberg. This online library offers over 60,000 free eBooks that are in the public domain. From classic literature to historical documents, Project Gutenberg provides a wide range of PDF files that can be downloaded and enjoyed on various devices. The website is user-friendly and allows users to search for specific titles or browse through different categories. Another reliable platform for downloading Manuals With Technical Knowledge Of A 320 Engine free PDF files is Open Library. With its vast collection of over 1 million eBooks, Open Library has something for every reader. The website offers a seamless experience by providing options to borrow or download PDF files. Users simply need to create a free account to access this treasure trove of knowledge. Open Library also allows users to contribute by uploading and sharing their own PDF files, making it a collaborative platform for book enthusiasts. For those interested in academic resources, there are websites dedicated to providing free PDFs of research papers and scientific articles. One such website is Academia.edu, which allows researchers and scholars to share their work with a global audience. Users can download PDF files of research papers, theses, and dissertations covering a wide range of subjects. Academia.edu also provides a platform for discussions and networking within the academic community. When it comes to downloading Manuals With Technical Knowledge Of A 320 Engine free PDF files of magazines, brochures, and catalogs, Issuu is a popular choice. This digital publishing platform hosts a vast collection of publications from around the world. Users can search for specific titles or explore various categories and genres. Issuu offers a seamless reading experience with its user-friendly interface and allows users to download PDF files for offline reading. Apart from dedicated platforms, search engines also play a crucial role in finding free PDF files. Google, for instance, has an advanced search feature that allows users to filter results by file type. By specifying the file type as "PDF," users can find websites that offer free PDF downloads on a specific topic. While downloading Manuals With Technical

Knowledge Of A 320 Engine free PDF files is convenient, its important to note that copyright laws must be respected. Always ensure that the PDF files you download are legally available for free. Many authors and publishers voluntarily provide free PDF versions of their work, but its essential to be cautious and verify the authenticity of the source before downloading Manuals With Technical Knowledge Of A 320 Engine. In conclusion, the internet offers numerous platforms and websites that allow users to download free PDF files legally. Whether its classic literature, research papers, or magazines, there is something for everyone. The platforms mentioned in this article, such as Project Gutenberg, Open Library, Academia.edu, and Issuu, provide access to a vast collection of PDF files. However, users should always be cautious and verify the legality of the source before downloading Manuals With Technical Knowledge Of A 320 Engine any PDF files. With these platforms, the world of PDF downloads is just a click away.

FAQs About Manuals With Technical Knowledge Of A 320 Engine Books

How do I know which eBook platform is the best for me? Finding the best eBook platform depends on your reading preferences and device compatibility. Research different platforms, read user reviews, and explore their features before making a choice. Are free eBooks of good quality? Yes, many reputable platforms offer high-quality free eBooks, including classics and public domain works. However, make sure to verify the source to ensure the eBook credibility. Can I read eBooks without an eReader? Absolutely! Most eBook platforms offer webbased readers or mobile apps that allow you to read eBooks on your computer, tablet, or smartphone. How do I avoid digital eye strain while reading eBooks? To prevent digital eye strain, take regular breaks, adjust the font size and background color, and ensure proper lighting while reading eBooks. What the advantage of interactive eBooks? Interactive eBooks incorporate multimedia elements, quizzes, and activities, enhancing the reader engagement and providing a more immersive learning experience. Manuals With Technical Knowledge Of A 320 Engine is one of the best book in our library for free trial. We provide copy of Manuals With Technical Knowledge Of A 320 Engine in digital format, so the resources that you find are reliable. There are also many Ebooks of related with Manuals With Technical Knowledge Of A 320 Engine. Where to download Manuals With Technical Knowledge Of A 320 Engine online for free? Are you looking for Manuals With Technical Knowledge Of A 320 Engine PDF? This is definitely going to save you time and cash in something you should think about. If you trying to find then search around for online. Without a doubt there are numerous these available and many of them have the freedom. However without doubt you receive whatever you purchase. An alternate way to get ideas is always to check another Manuals With Technical Knowledge Of A 320 Engine. This method for see exactly what may be included and adopt these ideas to your book. This site will almost certainly help you save time and effort, money and stress. If you are looking for free books then you really should consider finding to assist you

try this. Several of Manuals With Technical Knowledge Of A 320 Engine are for sale to free while some are payable. If you arent sure if the books you would like to download works with for usage along with your computer, it is possible to download free trials. The free guides make it easy for someone to free access online library for download books to your device. You can get free download on free trial for lots of books categories. Our library is the biggest of these that have literally hundreds of thousands of different products categories represented. You will also see that there are specific sites catered to different product types or categories, brands or niches related with Manuals With Technical Knowledge Of A 320 Engine. So depending on what exactly you are searching, you will be able to choose e books to suit your own need. Need to access completely for Campbell Biology Seventh Edition book? Access Ebook without any digging. And by having access to our ebook online or by storing it on your computer, you have convenient answers with Manuals With Technical Knowledge Of A 320 Engine To get started finding Manuals With Technical Knowledge Of A 320 Engine, you are right to find our website which has a comprehensive collection of books online. Our library is the biggest of these that have literally hundreds of thousands of different products represented. You will also see that there are specific sites catered to different categories or niches related with Manuals With Technical Knowledge Of A 320 Engine So depending on what exactly you are searching, you will be able tochoose ebook to suit your own need. Thank you for reading Manuals With Technical Knowledge Of A 320 Engine. Maybe you have knowledge that, people have search numerous times for their favorite readings like this Manuals With Technical Knowledge Of A 320 Engine, but end up in harmful downloads. Rather than reading a good book with a cup of coffee in the afternoon, instead they juggled with some harmful bugs inside their laptop. Manuals With Technical Knowledge Of A 320 Engine is available in our book collection an online access to it is set as public so you can download it instantly. Our digital library spans in multiple locations, allowing you to get the most less latency time to download any of our books like this one. Merely said, Manuals With Technical Knowledge Of A 320 Engine is universally compatible with any devices to read.

Find Manuals With Technical Knowledge Of A 320 Engine :

[john cutnell physics solution manual](#)

[john deere 6120 manual](#)

[john deere 647a service manual](#)

[john deere 329d manual](#)

john c hull 7th edition solution manual

john deere 6400 pto wiring diagram

john deere 210 g manual

john deere 4045hf285 parts manual

[john deere 6081hf070 oem manuals](#)

[john deere 21sp self propelled rotary mower oem operators manual](#)

john deere 180 technical manual

[john deere 5620 manual](#)

[john deere 945 moco parts](#)

[john deere 6620 side hill combine oem parts manual](#)

[john deere 650j service manual](#)

Manuals With Technical Knowledge Of A 320 Engine :

john deere 500 buck utility atv service repair manual - Feb 25 2022

web john deere 500 500ex 500ext buck utility atv service technical manual has easy to read text sections with top quality diagrams and instructions will guide you through

tm2153 may 2004 technical manual john deere manual - Jul 13 2023

web 2153 may 2004 buck utility atv 500 500ex and 500ext tm2153 may 2004 technical manual north american version litho in u s a introduction manual introduction

john deere 500 500ex 500ext buck utility atv tm2153 pdf - Aug 02 2022

web zielsdorf auction company east hwy 12 north of john deere real estate service 119 3rd deere 500 buck ex 5 spd w auto or manual trans catalog ag supply

[john deere 500 trail buck utility atv service repair](#) - Apr 10 2023

web this service manual includes repair and maintenance information detailed description of service and troubleshoot procedures installation instructions special instructions other

[john deere atv 500 atv 500ex atv 500ext buck utility](#) - Jul 01 2022

web john deere agricultural buck utility atv 500 500ex 500ext technical manual pdf tm2153 05 2004 size 21 92 mb type of file pdf language english brand john

john deere 500 650 650ex and 650ext trail buck - May 11 2023

web download complete service repair manual for john deere 500 650 650ex and 650ext trail buck utility atv it covers every single detail on your john deere

[john deere buck 500ex utility atv service manual download](#) - Jan 27 2022

web this service manual includes repair and maintenance information detailed description of service and troubleshoot procedures installation instructions special instructions other

john deere atv 500 atv 500ex atv 500ext buck utility - Mar 09 2023

web download pdf john deere 500 500ex 500ext buck utility atv technical service repair manual tm2153 publication no tm2153 may 2004 this is an original john

john deere 500 buck atv service manual user manual search - May 31 2022

web mar 8 2013 john deere trail buck 500 utility atv service manual 37 7 mb in zip format for super fast downloads this factory john deere service manual download will

john deere 500 500ex 500ext buck utility atv technical - Feb 08 2023

web full search facility print one or all pages of your manual add to cart 36 99 pdf 24 60 mb preview tm2153 may 2004 john deere worldwide commercial

john deere 500 500ex 500ext buck utility atv - Dec 06 2022

web john deere 500 650 650ex 650ext trail buck utility atv service technical manual tm2160 this highly detailed pdf manual covers all repairs servicing and

john deere buck 500 utility atv service manual download - Aug 14 2023

web mar 8 2013 john deere buck 500 utility atv service manual 31 8 mb in zip format for super fast downloads this factory john deere service manual download will give you

john deere 500 buck utility atv service repair manual tm2153 - Sep 22 2021

john deere trail buck 500 utility atv service manual download - Mar 29 2022

web mar 8 2013 john deere buck 500ex utility atv service manual 31 8 mb in zip format for super fast downloads this factory john deere service manual download will give

john deere 500 650 650ex 650ext trail buck utility atv - Sep 03 2022

web apr 14 2019 john deere atv 500 atv 500ex atv 500ext buck utility service manual therepairmanual com shop john

jd buck utility 500 500ex 500ext atv tm2153 complete - Jan 07 2023

web buck utility atv 500 500ex and 500ext tm2153 trail buck utility atv 500 650 650ex and 650ext tm2160 gator light duty utility vehicles cs and cx tm2119 this

john deere 500 650 650ex 650ext trail buck utility atv - Oct 04 2022

web technical manual provides detailed service information repair information service instructions use and installation instructions designed to serve john deere 500

john deere 500 500ex and 500ext buck utility atv - Jun 12 2023

web download complete service repair manual for john deere 500 500ex and 500ext buck utility atv it covers every single

detail on your john deere 500

[john deere 500 500ex 500ext buck utility atv service](#) - Dec 26 2021

web john deere worldwide commercial consumer equipment division 2160 may 2004 trail buck utility atv 500 650 650ex and 650ext technical manual

[buck utility atv 500 500ex and 500ext tm2153 factory](#) - Nov 05 2022

web technical manual john deere 500 650 650ex 650ext trail buck utility atv this manual contains high quality images diagrams instructions to help you to operate

[tm2160 may 2004 technical manual service repair](#) - Oct 24 2021

[john deere agricultural buck utility atv 500 500ex 500ext](#) - Apr 29 2022

web aug 15 2022 john deere 500 buck utility atv service repair manual tm2153 manual description this technical manual is written for an experienced technician and contains

john deere atv 500 atv 650 atv 650ex atv 650ext trail - Nov 24 2021

web sep 19 2020 tm2153 may 2004 john deere worldwide commercial consumer equipment division 2153 may 2004 buck utility atv 500 500ex and

stress relievers tips to tame stress mayo clinic - Jun 01 2022

web aug 3 2023 stress relievers can help bring back calm and peace to your busy life you don t have to put a lot of time or thought into stress relievers if your stress is getting out of control and you need quick relief try one of these tips

[being highly sensitive how to relieve stress overcome](#) - Jul 02 2022

web apr 3 2019 being highly sensitive how to relieve stress overcome negative energy and live a vibrant life davis camille on amazon com free shipping on qualifying offers being highly sensitive how to relieve stress overcome negative energy and live a vibrant life

[5 ways to cope with stress when you re highly sensitive](#) - Aug 15 2023

web sep 12 2021 practice self care as a highly sensitive person you are likely more susceptible to the ravages of sleep deprivation poor nutrition and burnout this means you need to be sure to get enough sleep at night eat healthy meals and take care of your body mind and spirit in whatever ways you can

managing highly sensitive people valuing quiet time mind tools - Sep 04 2022

web strategies for managing highly sensitive people let s explore six approaches that you can use to motivate your highly sensitive team member reduce their stress levels and keep them engaged 1 accept highly sensitive people it can be tempting to try to help an hsp on your team overcome their sensitivity

how to relieve stress when you re a highly sensitive person - Jul 14 2023

web 40 ways highly sensitive people can get through this stressful time 10 ways highly sensitive people can reduce their fear during the coronavirus heidi hanna on using heartmath for emotional and physical recharging empath

coping with anxiety as an hsp psychology today - Dec 07 2022

web oct 5 2012 here are the first steps learn to recognise the signs and symptoms of anxiety such as a dry mouth or beating heart don t run away from what s frightening you that will only make your anxious

how to overcome emotional sensitivity wikihow - Apr 11 2023

web sep 1 2023 1 recognize that high sensitivity is innate to you neuroscientists have discovered that part of our capacity for emotional sensitivity is linked to our genes

highly sensitive person signs strengths and challenges - Oct 05 2022

web feb 11 2022 summary a highly sensitive person is more aware of social stimuli such as other people s voices and facial expressions they may be particularly empathetic but also more prone to

being highly sensitive how to relieve stress overcome - Jan 28 2022

web being highly sensitive how to relieve stress overcome negative energy and live a vibrant life davis camille amazon com au books

how to deal with being highly sensitive 15 steps with pictures wikihow - Mar 10 2023

web aug 4 2022 part 1 managing your environment download article 1 have your own space being highly sensitive means that you may find yourself in situations that create strong emotions that you d rather not have to deal with publicly

what is a highly sensitive person hsp verywell mind - May 12 2023

web jun 13 2023 prevalence causes similar conditions and traits impact a highly sensitive person hsp is a neurodivergent individual who is thought to have an increased or deeper central nervous system sensitivity to physical emotional or social stimuli some refer to this as having sensory processing sensitivity or sps for short

how to deal with overstimulation psychology today - Feb 09 2023

web oct 17 2019 this means that highly sensitive men need to get much better at calming themselves down when they notice that they feel overstimulated tense or very emotional emotional regulation can really

being highly sensitive how to relieve stress overcome - Feb 26 2022

web apr 2 2019 being highly sensitive how to relieve stress overcome negative energy and live a vibrant life kindle edition by davis camille religion spirituality kindle ebooks amazon com

10 tips for highly sensitive people psych central - Mar 30 2022

web may 13 2012 1 set a bedtime and morning routine for at least an hour or two before bedtime shut down all electronic

equipment and engage in calming activities such as reading an uplifting book zeff said

being highly sensitive how to relieve stress overcome - Aug 03 2022

web being highly sensitive book read reviews from world s largest community for readers tired of feeling overwhelmed by your emotions do you feel more emp

4 coping strategies for highly sensitive people bphope com - Nov 06 2022

web aug 12 2020 1 incorporate stress reducing activities into your routine having a handle on stress is key says deborah ward journalist and author of sense and sensitivity why highly sensitive people are wired for wonder both highly sensitive people and those with bipolar can become easily overwhelmed by noise and other

stress relief 18 highly effective strategies for relieving stress - Apr 30 2022

web sep 13 2023 join a gym take a class or exercise outside keep in mind that there are many different ways to get more physical activity in your day too walking strength training kayaking hiking and spin class are just a few different examples of

how to build emotional resilience as a highly sensitive person - Jan 08 2023

web sep 23 2020 emotional resilience is being able to mentally and emotionally cope with a stress or crisis and then be able to adapt and return to that pre stress state in our current climate resiliency might look like being able to adapt to the current stay at home orders by putting systems in place that allow life work food shopping etc to

being highly sensitive how to relieve stress over - Jun 13 2023

web learn what causes stress and how your body reacts to stress triggers then let research backed exercises and thoughtful advice give you the tools to effectively manage and mitigate the effects that stress has on your everyday life

how to reduce stress techniques and more verywell health - Dec 27 2021

web nov 8 2021 get an activity tracker logging at least 30 minutes of exercise five days a week can help improve your mood start slow you don t have to do 30 minutes of exercise all at once five to 10 minutes at a time makes a difference go outside getting away from a screen and into the fresh air can help reduce stress

download pdf kids travel guide germany the fun way to discover - Mar 30 2022

web oct 7 2020 kids travel guide germany the fun way to discover germany especially for kids kids travel guide series book detail age range 6 12 years series kids travel guide series book 26 paperback 44 pages publisher flyingkids premium edition edition march 19 2017 language english isbn 10 1910994138 isbn

kids travel guide germany the fun way to discover germany - May 12 2023

web this guide walks your children through the most famous cities in germany berlin munich hamburg and frankfurt and the many unique attractions that make this country so special today it s more important than ever to give our kids opportunities to expand their horizons and broaden their minds

[germany travel for kids the fun way to discover germany 13 travel](#) - Dec 07 2022

web buy germany travel for kids the fun way to discover germany 13 travel guide for kids by publishing dinobibi isbn 9798611895078 from amazon s book store everyday low prices and free delivery on eligible orders

13 books about germany for your germany vacation - Feb 26 2022

web the kids travel guide germany is a unique travel guide and activity book especially designed for children this educational book is a fun and entertaining way to discover germany s geography flags history food culture and many more

germany travel for kids the fun way to discover germany travel guide - Feb 09 2023

web germany travel for kids the fun way to discover germany travel guide for kids band 13 publishing dinobibi isbn 9798611895078 kostenloser versand für alle bücher mit versand und verkauf duch amazon

11 of the best things to do with kids in germany lonely planet - Oct 05 2022

web jul 13 2023 if you find traveling with kids in larger cities a bit overwhelming then you will love germany s national parks and smaller villages the black forest national park is the place where fairy tales come true the little villages with half timbered houses around the town of gengenbach or the world s largest cuckoo clock in schonach are an

kids travel guide germany the fun way to discover germany - Jun 13 2023

web buy kids travel guide germany the fun way to discover germany especially for kids 26 by leon shiela h g salome flyingkids isbn 9781910994139 from amazon s book store everyday low prices and free delivery on eligible orders

germany travel for kids the fun way to discover germany travel guide - Jul 14 2023

web feb 9 2020 whether preparing for a vacation or simply wanting to learn about hanna this book gives you all you need to know fun places to visit tasty food to try and fun interactive pop quizzes throughout come join dinobibi and hanna on an adventure and discover germany read more

germany travel for kids the fun way to discover germany 13 - Apr 30 2022

web germany travel for kids the fun way to discover germany 13 paperback 9 february 2020 by dinobibi publishing author 4 5 13 ratings see all formats and editions paperback s 18 22 3 new from s 18 22 going on a family vacation to germany or just want to learn more about this amazing country

[kids travel guide germany the fun way to discover germany](#) - Jan 08 2023

web mar 18 2017 kids travel guide germany the fun way to discover germany especially for kids kindle edition by g salome leon shiela download it once and read it on your kindle device pc phones or tablets

kids travel guide germany the fun way to discover germany - Apr 11 2023

web a unique travel guide and activity book in one it s the fun way to discover germany all about germany especially for kids geography fascinating history and flags and symbols as well as german culture food and even some useful word in german

[kids travel guide germany the fun way to discover germany](#) - Nov 06 2022

web kids travel guide germany the fun way to discover germany especially for kids english edition ebook g salome leon shiela amazon de kindle shop

the best things to do with kids in germany expatica - Jan 28 2022

web sep 11 2023 europa park located in rust in southwestern germany europa park is the second most popular theme park resort in europe following disneyland paris with more than 100 attractions and shows 13 roller coasters and 15 european themed areas this is undoubtedly one of the best things to do with kids in germany

kids travel guide germany the fun way to discover germany - Aug 15 2023

web mar 19 2017 designed especially for kids the kids travel guide germany teaches children all about germany including its cities and landmarks geography fascinating history and flags and symbols as well as german culture cuisine and even some popular words in german fun educational and engaging

[germany travel for kids the fun way to discover germany 13](#) - Aug 03 2022

web whether preparing for a vacation or simply wanting to learn about hanna this book gives you all you need to know fun places to visit tasty food to try and fun interactive pop quizzes throughout

[kids travel guide germany the fun way to discover germany](#) - Jul 02 2022

web kids travel guide germany the fun way to discover germany especially for kids ebook g salome leon shiela amazon com au kindle store

[kids travel guide germany the fun way to discover germany](#) - Sep 04 2022

web buy kids travel guide germany the fun way to discover germany especially for kids by h leon shiela online on amazon ae at best prices fast and free shipping free returns cash on delivery available on eligible purchase

best selling kids travel guide germany the fun way to discover - Dec 27 2021

web apr 29 2019 kids travel guide germany the fun way to discover germany especially for kids 26 kids travel guide series by shiela h leon click here wahyuandri12 blogspot mx book 1910994138

kids travel guide germany the fun way to discover germany - Mar 10 2023

web mar 19 2017 designed especially for kids the kids travel guide germany teaches children all about germany including its cities and landmarks geography fascinating history and flags and symbols as well as german culture cuisine and even some popular words in german

kids travel guide germany the fun way to discover germany - Jun 01 2022

web kids travel guide germany the fun way to discover germany especially for kids 26 h leon shiela amazon sg books