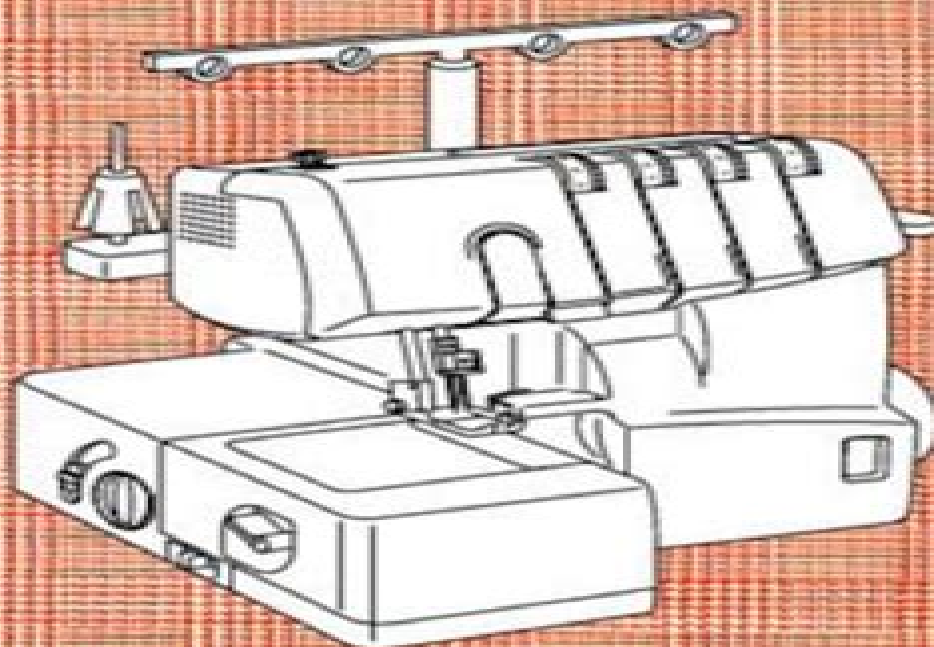


**HANDBOOK FOR COMPACT
OVERLOCK MACHINE**

**MANUAL DE INSTRUCCIONES DE LA
MAQUINA COMPACTA OVERLOCK**



Manuals For Brother Serger

Jessica J Manson



Manuals For Brother Serger:

The Ultimate Serger Answer Guide Naomi Baker, Gail Brown, 1997-01-24 THE user friendly reference essential for any current or prospective serger owner Practical easy solutions for any problem with any serger no matter what the brand model or vintage Expert savvy timesaving tips on serger threading needles threads feet upkeep and much more Comprehensive strategies that help answer Which serger should I buy

A Guide to Fashion Sewing Connie Amaden-Crawford, 2015-03-12 A Guide to Fashion Sewing 6th Edition provides a comprehensive fashion sewing resource for beginning and advanced sewers alike Readers will learn how to assemble and construct designs of various styles using proven industry methods for more than 100 sewing applications Chapters cover everything from sewing equipment measurements and fabric selection to actual garment assembly Filled with easy to follow step by step instructions and large clear illustrations this book is an indispensable resource for constructing quality garments Accompanying video demonstrations help readers learn at their own pace basic sewing skills and techniques such as seams darts bias binding zipper and garment assembly The new edition features an updated design new industrial sewing machine information and photographs and expanded information on tailoring Amaden Crawford has added convenient metric measurement equivalents to the text helpful project checklists to aid self assessment of completed project and 1 2 scale patterns to make sample garment assembly easier than ever before PLEASE NOTE Purchasing or renting this ISBN does not include access to the STUDIO resources that accompany this text To receive free access to the STUDIO content with new copies of this book please refer to the book STUDIO access card bundle ISBN 9781501395284 STUDIO Instant Access can also be purchased or rented separately on BloomsburyFashionCentral.com

Mergent International Manual, 2009 *Robert D. Fisher*
Manual of Valuable and Worthless Securities Robert Denton Fisher, 1975

Know Your Brother Jackie Dodson, Jane Warnick, 1990

Textile Technology Digest, 1999

Threads Magazine, 2002

Simple Geometric Quilting Laura Preston, 2019-08-27 Bold Shapes and Clean Lines for Faster Modern Quilting Breathe some fresh air into your quilts with 20 stunning contemporary projects from designer Laura Preston Using simple shapes and solid colors Laura's method streamlines the traditional quilting process for beautiful quilts in less time Quilt tops come together quickly with large scale cuts of fabric and as little piecing as possible making these projects perfect for beginners Advanced quilters can delve into modern techniques such as creating curved lines and working with negative space rather than intricate quilting blocks From chic wall hangings to cozy crib size and queen size quilts every project doubles as a work of art Fueled by her minimalist lifestyle traveling the United States in her Airstream trailer Laura's designs reflect the striking landscapes of the American West The Arches Queen Quilt showcases the dramatic curves found in Arches National Park in Utah The Lone Pine Pillow with its range of triangles was inspired by the Sierra Nevada mountains and the Sand Dollar Table Runner was sparked by a beach in Big Sur California Follow Laura's insightful design tips and soon you'll start to see inspiration everywhere With

illustrated step by step instructions and in depth tutorials this book is an essential resource for the modern quilter *The Sewing Machine Accessory Bible* Wendy Gardiner,Lorna Knight,2011-06-21 Learn to use all the features functions and feet on your sewing machine

Big Data Technology and Applications Wenguang Chen,Guisheng Yin,Gansen Zhao,Qilong Han,Weipeng Jing,Guanglu Sun,Zeguang Lu,2016-02-02 This book constitutes the refereed proceedings of the First National Conference on Big Data Technology and Applications BDTA 2015 held in Harbin China in December 2015 The 26 revised papers presented were carefully reviewed and selected from numerous submissions The papers address issues such as the storage technology of Big Data analysis of Big Data and data mining visualization of Big Data the parallel computing framework under Big Data the architecture and basic theory of Big Data collection and preprocessing of Big Data innovative applications in some areas such as internet of things and cloud computing

Sewing Machines Smithsonian Institution,2001

Subject Guide to Books in Print ,1997

Sewing for Your Garden Carolyn Vosburg Hall,1999 Anyone who loves the outdoors and sews is sure to find hours of enjoyment while creating any of the 50 innovative colorful practical projects that can be enjoyed outside as well as inside Projects such as tablecloths totes blankets knee pads gloves aprons centerpieces and wind socks help the reader dig in the garden serve lunch on the patio frolic by the pool or tailgate at the big game 270 color photos

National Union Catalog ,1956 Includes entries for maps and atlases

Sales Management ,1957

The Upcycled T-Shirt Jenelle Montilone,2015-05-01 Consume less and create more by turning old T shirts into new treasures Kid friendly projects included Did you know the average American throws away more than sixty eight pounds of clothing each year Join the revolution to reduce your carbon footprint one T shirt at a time Widely known for her recycling efforts environmental crafter Jenelle Montilone will show you how to upcycle tees into fun and fanciful quilts accessories toys and gifts for the whole family With nearly 30 easy to make ideas you ll consume less and create more

Creative Serging Illustrated Pati Palmer,1987 This reference revolutionizes serger sewing with creative approaches by combining decorative threads with contemporary construction methods The guidelines are clear and innovative

Railroad Telegrapher ,1911

The New Global Politics of Science Mats Benner,2018-08-31 Science has become a central political concern with massive increases in public investments and expectations but resources are embedded in a complex web of societal expectations which vary between countries and regions This book outlines an insightful understanding of science policy as both concerning the governance of science itself priority setting funding organization and articulation with polity society and economy and its extra organizational connections in terms of higher education innovation and national policy concerns

The Woodenboat ,1992

Manuals For Brother Serger Book Review: Unveiling the Magic of Language

In an electronic era where connections and knowledge reign supreme, the enchanting power of language has become more apparent than ever. Its ability to stir emotions, provoke thought, and instigate transformation is truly remarkable. This extraordinary book, aptly titled "**Manuals For Brother Serger**," written by a highly acclaimed author, immerses readers in a captivating exploration of the significance of language and its profound effect on our existence. Throughout this critique, we shall delve into the book's central themes, evaluate its unique writing style, and assess its overall influence on its readership.

<http://www.armchairempire.com/files/virtual-library/index.jsp/Lectures%20In%20Systematic%20Theology.pdf>

Table of Contents Manuals For Brother Serger

1. Understanding the eBook Manuals For Brother Serger
 - The Rise of Digital Reading Manuals For Brother Serger
 - Advantages of eBooks Over Traditional Books
2. Identifying Manuals For Brother Serger
 - Exploring Different Genres
 - Considering Fiction vs. Non-Fiction
 - Determining Your Reading Goals
3. Choosing the Right eBook Platform
 - Popular eBook Platforms
 - Features to Look for in an Manuals For Brother Serger
 - User-Friendly Interface
4. Exploring eBook Recommendations from Manuals For Brother Serger
 - Personalized Recommendations
 - Manuals For Brother Serger User Reviews and Ratings
 - Manuals For Brother Serger and Bestseller Lists
5. Accessing Manuals For Brother Serger Free and Paid eBooks

- Manuals For Brother Serger Public Domain eBooks
 - Manuals For Brother Serger eBook Subscription Services
 - Manuals For Brother Serger Budget-Friendly Options
6. Navigating Manuals For Brother Serger eBook Formats
 - ePub, PDF, MOBI, and More
 - Manuals For Brother Serger Compatibility with Devices
 - Manuals For Brother Serger Enhanced eBook Features
 7. Enhancing Your Reading Experience
 - Adjustable Fonts and Text Sizes of Manuals For Brother Serger
 - Highlighting and Note-Taking Manuals For Brother Serger
 - Interactive Elements Manuals For Brother Serger
 8. Staying Engaged with Manuals For Brother Serger
 - Joining Online Reading Communities
 - Participating in Virtual Book Clubs
 - Following Authors and Publishers Manuals For Brother Serger
 9. Balancing eBooks and Physical Books Manuals For Brother Serger
 - Benefits of a Digital Library
 - Creating a Diverse Reading Collection Manuals For Brother Serger
 10. Overcoming Reading Challenges
 - Dealing with Digital Eye Strain
 - Minimizing Distractions
 - Managing Screen Time
 11. Cultivating a Reading Routine Manuals For Brother Serger
 - Setting Reading Goals Manuals For Brother Serger
 - Carving Out Dedicated Reading Time
 12. Sourcing Reliable Information of Manuals For Brother Serger
 - Fact-Checking eBook Content of Manuals For Brother Serger
 - Distinguishing Credible Sources
 13. Promoting Lifelong Learning
 - Utilizing eBooks for Skill Development

- Exploring Educational eBooks
14. Embracing eBook Trends
- Integration of Multimedia Elements
 - Interactive and Gamified eBooks

Manuals For Brother Serger Introduction

Manuals For Brother Serger Offers over 60,000 free eBooks, including many classics that are in the public domain. Open Library: Provides access to over 1 million free eBooks, including classic literature and contemporary works. Manuals For Brother Serger Offers a vast collection of books, some of which are available for free as PDF downloads, particularly older books in the public domain. Manuals For Brother Serger : This website hosts a vast collection of scientific articles, books, and textbooks. While it operates in a legal gray area due to copyright issues, its a popular resource for finding various publications. Internet Archive for Manuals For Brother Serger : Has an extensive collection of digital content, including books, articles, videos, and more. It has a massive library of free downloadable books. Free-eBooks Manuals For Brother Serger Offers a diverse range of free eBooks across various genres. Manuals For Brother Serger Focuses mainly on educational books, textbooks, and business books. It offers free PDF downloads for educational purposes. Manuals For Brother Serger Provides a large selection of free eBooks in different genres, which are available for download in various formats, including PDF. Finding specific Manuals For Brother Serger, especially related to Manuals For Brother Serger, might be challenging as theyre often artistic creations rather than practical blueprints. However, you can explore the following steps to search for or create your own Online Searches: Look for websites, forums, or blogs dedicated to Manuals For Brother Serger, Sometimes enthusiasts share their designs or concepts in PDF format. Books and Magazines Some Manuals For Brother Serger books or magazines might include. Look for these in online stores or libraries. Remember that while Manuals For Brother Serger, sharing copyrighted material without permission is not legal. Always ensure youre either creating your own or obtaining them from legitimate sources that allow sharing and downloading. Library Check if your local library offers eBook lending services. Many libraries have digital catalogs where you can borrow Manuals For Brother Serger eBooks for free, including popular titles. Online Retailers: Websites like Amazon, Google Books, or Apple Books often sell eBooks. Sometimes, authors or publishers offer promotions or free periods for certain books. Authors Website Occasionally, authors provide excerpts or short stories for free on their websites. While this might not be the Manuals For Brother Serger full book , it can give you a taste of the authors writing style. Subscription Services Platforms like Kindle Unlimited or Scribd offer subscription-based access to a wide range of Manuals For Brother Serger eBooks, including some popular titles.

FAQs About Manuals For Brother Serger Books

How do I know which eBook platform is the best for me? Finding the best eBook platform depends on your reading preferences and device compatibility. Research different platforms, read user reviews, and explore their features before making a choice. Are free eBooks of good quality? Yes, many reputable platforms offer high-quality free eBooks, including classics and public domain works. However, make sure to verify the source to ensure the eBook credibility. Can I read eBooks without an eReader? Absolutely! Most eBook platforms offer webbased readers or mobile apps that allow you to read eBooks on your computer, tablet, or smartphone. How do I avoid digital eye strain while reading eBooks? To prevent digital eye strain, take regular breaks, adjust the font size and background color, and ensure proper lighting while reading eBooks. What the advantage of interactive eBooks? Interactive eBooks incorporate multimedia elements, quizzes, and activities, enhancing the reader engagement and providing a more immersive learning experience. Manuals For Brother Serger is one of the best book in our library for free trial. We provide copy of Manuals For Brother Serger in digital format, so the resources that you find are reliable. There are also many Ebooks of related with Manuals For Brother Serger. Where to download Manuals For Brother Serger online for free? Are you looking for Manuals For Brother Serger PDF? This is definitely going to save you time and cash in something you should think about. If you trying to find then search around for online. Without a doubt there are numerous these available and many of them have the freedom. However without doubt you receive whatever you purchase. An alternate way to get ideas is always to check another Manuals For Brother Serger. This method for see exactly what may be included and adopt these ideas to your book. This site will almost certainly help you save time and effort, money and stress. If you are looking for free books then you really should consider finding to assist you try this. Several of Manuals For Brother Serger are for sale to free while some are payable. If you arent sure if the books you would like to download works with for usage along with your computer, it is possible to download free trials. The free guides make it easy for someone to free access online library for download books to your device. You can get free download on free trial for lots of books categories. Our library is the biggest of these that have literally hundreds of thousands of different products categories represented. You will also see that there are specific sites catered to different product types or categories, brands or niches related with Manuals For Brother Serger. So depending on what exactly you are searching, you will be able to choose e books to suit your own need. Need to access completely for Campbell Biology Seventh Edition book? Access Ebook without any digging. And by having access to our ebook online or by storing it on your computer, you have convenient answers with Manuals For Brother Serger To get started finding Manuals For Brother Serger, you are right to find our website which has a comprehensive collection of books online. Our library is the biggest of these that have literally hundreds of thousands of different products represented. You will also see that there are specific sites catered to different categories or niches related with Manuals For Brother Serger So depending on what exactly you are searching, you will be

able to choose ebook to suit your own need. Thank you for reading Manuals For Brother Serger. Maybe you have knowledge that, people have search numerous times for their favorite readings like this Manuals For Brother Serger, but end up in harmful downloads. Rather than reading a good book with a cup of coffee in the afternoon, instead they juggled with some harmful bugs inside their laptop. Manuals For Brother Serger is available in our book collection an online access to it is set as public so you can download it instantly. Our digital library spans in multiple locations, allowing you to get the most less latency time to download any of our books like this one. Merely said, Manuals For Brother Serger is universally compatible with any devices to read.

Find Manuals For Brother Serger :

lectures in systematic theology

[leica viva gns manual](#)

legend of the maneater

[least squares finite element methods least squares finite element methods](#)

~~lee brothers cookbook~~

[legrand timers manual](#)

[legal chronology of events template](#)

[legal perspectives in bioethics legal perspectives in bioethics](#)

led monitor repair guide

leipzig highlights the practical guide for discovering the city

lectio divina lectio divina

[lehmann romano solution](#)

[legende hollow winkle kurzgeschichten washington](#)

left back a century of battles over school reform

~~legion of merit retirement award~~

Manuals For Brother Serger :

impressionism questions and answers homework study com - Jun 11 2023

web impressionism questions and answers get help with your impressionism homework access the answers to hundreds of impressionism questions that are explained in a way that s easy for you to understand can t find the question you re looking

for go ahead and submit it to our experts to be answered

imagine odysseyware imagine learning - Jan 06 2023

web imagine odysseyware provides easy to access user friendly digital content and curriculum that includes over 300 standards based core courses and electives course options include enriching electives such as career technical education cte courses world languages the arts health test readiness life skills and more

odysseyware answers - May 10 2023

web download your own odysseyware answer pack

odysseyware art history answers uniport edu ng - Aug 01 2022

web odysseyware art history answers 3 9 downloaded from uniport edu ng on september 4 2023 by guest the story of art ernst hans gombrich 1972 traces the history of art from primitive cave paintings to controversial works of the present day the art of art history donald preziosi 1998 a guide to understanding art history over the past two centuries

odysseyware answers all the stories and chapters bryan isd - Apr 09 2023

web odysseyware answers answers go everything related at odysseywarein 2023 are you looking for odysseyware answers we will here at help us understand that it s determining for you to be able to tell if the answers i have for anywhere story other chapter out odysseyware are correct or wrong

odysseyware answers guide bengis life - Dec 05 2022

web introducing odysseyware answers men and women discuss the knowledge economy inside this module what they would like you to learn is the way to evaluate our present day health system and the various ways we re attempting to improve to become a much healthier nation and yet that s the outrageous reality about our approach to mental wellness

where are the answers to odyssey ware answers - Jul 12 2023

web oct 31 2022 where are the answers to odyssey ware updated 10 31 2022 wiki user 12y ago study now see answers 3 best answer copy the answers are in the lesson read note to odysseyware

odysseyware geometry quizlet - Feb 07 2023

web moore public school moore odysseyware geometry to add images hit windows prt sc and upload to goodle docs then right click the file and pick get shareable link includes both semesters i m labelling mine by semester but some might not be labelled not all sets will lead to a 100

answerquestionsandviewresults - Aug 13 2023

web character altkey number á 160or0225 é 130or0233 í 161or0237 ó 162or0243 ú 163or0250 Á 0193 É 0201 Í 0205 168or0191 Ñ 165or0209 ñ 164or0241 Ü 154or0220

odyssey questions answer history flashcards and study sets quizlet - Mar 08 2023

web learn odyssey questions answer history with free interactive flashcards choose from 3 042 different sets of odyssey questions answer history flashcards on quizlet

odysseywarearthhistoryanswers download only - Feb 24 2022

web a history of greek art history of art the shaping of art history meditations on a discipline fundamentals of art history condensed art history bernard berenson the making of a legend art history art history as an academic study art past art present the essentials of art history the myth of apollo and marsyas in italian renaissance

what is odysseyware global student network - Apr 28 2022

web jan 10 2018 homeschoolers odysseyware is an online curriculum for students in grades 3 12 used in schools and by homeschool families odysseyware is student paced mastery based teacher interactive online let s break this down and see exactly what that means

search quizlet odysseyware quizlet - Nov 04 2022

web 40 terms odysseyware curriculum and career development make up courses base spark quiz 50 terms odysseyware the online learning management system that you are using while we are distant learning end of year science and fun 43 terms

odysseyware art history answers - Jun 30 2022

web odysseyware art history answers if you ally craving such a referred odysseyware art history answers ebook that will present you worth get the entirely best seller from us currently from several preferred authors if you want to comical books lots of novels tale jokes and more fictions collections are then launched from best

anyone know anything about odysseyware r teachers reddit - Oct 03 2022

web aug 3 2014 i have used odysseyware and was not a fan it is sooooo boring you probably need to sign up or add the courses somehow before you will be able to access the lessons but the lessons should be there

odysseyware art history answers secure4 khronos - Jan 26 2022

web jun 25 2023 odysseyware art history answers odysseyware art history answers on certain occasions you in the same way attain not explore the journal odysseyware art history answers that you are looking for it will without a doubt fritter away the period in the abode business premises or potentially in your strategy can be every optimal place

art history odyssey flashcards quizlet - Sep 14 2023

web terms in this set 473 the way an artist organizes forms lines shapes etc in an artwork either by placing shapes on a flat surface or by arranging forms in space generally a wealthy person who pays an artist to create a work of art throughout much of history artists could not have survived without patronage

how do you find all of the answers to odyssey ware answers - Sep 02 2022

web nov 11 2022 study now see answer 1 best answer copy you must go on the odyssey website or go on ebay and look for

some odyssey golf clubs and look at the description of them wiki user 11y ago

how do you cheat on odyssey ware answers - May 30 2022

web apr 28 2022 best answer copy well at my alternative school we put a keylogger on the teachers computer and got his password so we can log into his odessey account and look at the answer key for all of our assignments on the assignments just click the first answer on every question then correct them till you get a passing grade i can get a unit of

[where are the answers to odyssey ware in answers](#) - Mar 28 2022

web dec 19 2022 how do you find all of the answers to odyssey ware you must go on the odyssey website or go on ebay and look for some odyssey golf clubs and look at the description of them is odyssey ware free

drill string design bha design amik ogs secure4 khronos - May 12 2023

web may 25 2023 drill string design bha design amik ogs advanced drill string design koc ogs 5 feb 15 19 optimization of drilling operational parameters tubular stability amp bha design sudanese hard rock drilling from hydraulic dth hammer to laser tool may be added to any bha with enough flow e g tu freiberg is working on this design

drill string design bha design amik ogs home rightster com - Dec 07 2022

web march 3rd 2018 imam tvoj broj sofi kinsela pdf drill string design bha design amik ogs pdf pdf iblis menggugat tuhan pdf pdf fishing lure templates pdf author s personal copy luca baradello april 29th 2018 drill string gravitational load reciprocity neutral point a b s t r a c t we design a full wave modeling method to simulate flexural

drillstring bha design pdf classical mechanics physics - Sep 04 2022

web drill string design drill pipe pressure control equipment drill string loads monitoring equipment bottom hole assembly bha design purpose components assemblies slick drill string design bha design usama bin sabir 9 140910004106 phpapp02 9 140910004106 phpapp02 patou patrice operations design in drill string

drill string design bha design pdf strength of materials - Jul 14 2023

web dpt drill string and bha design fnc drillstring connections there are 17 ncs in use nc 10 1 1 16 through nc 77 7 3 4 typical sizes nc 50 for tool joints with 6 1 2 od for 5 pipe and nc 38 for 4 3 4 tool joints and 3 1 2 pipe seal is provided by shoulder not threads

drill string design bha design amik ogs secure4 khronos - Nov 06 2022

web drill string design bha design amik ogs bha bore hole assembly design and bit selection drill string design torque and drag modeling for directional wells ogs iwcf ogs sun 15 apr 2018 09 49 00 gmt drill string design bha pdf drill string design amp bha design free download as pdf file pdf text file txt or view drill

drill string design bha design amik ogs pdf 2023 roohish - Jan 08 2023

web drill string design bha design amik ogs pdf upload dona k ferguson 1 4 downloaded from roohish com on july 15 2023 by

dona k ferguson drill string design bha design amik ogs pdf in a digitally driven earth wherever monitors reign great and immediate interaction drowns out the subtleties of language the profound techniques and

drill string design bha design amik ogs secure4 khronos - Oct 05 2022

web be confused to enjoy every book gatherings drill string design bha design amik ogs that we will certainly offer its for that reason surely basic and as a outcome facts isnt it you have to preference to in this place

drill string design bha design amik ogs pdf m central edu - Mar 10 2023

web pdf drill string design drilling techniques impact wear stop unnecessary reaming and back reaming with highly tensioned drill strings because the correct bottomhole assembly bha continuously reams the hole being

drill string design bha design amik ogs pdf wef tamu - Apr 30 2022

web we present drill string design bha design amik ogs and numerous book collections from fictions to scientific research in any way along with them is this drill string design bha design amik ogs that can be your partner drill string design bha design amik ogs downloaded from wef tamu edu by guest ewing slade

drill string design bha design amik ogs pdf ftp bonide - Jun 13 2023

web 4 drill string design bha design amik ogs 2021 12 01 includes legislation of major oil and gas producing nations pertaining to offshore operations oil and gas incorporates case studies of major offshore operations oil and gas accidents and lessons learnt discusses environment impact of offshore operations analysis and control of oilwell

drill string design bha design amik ogs reserve lasd org - Aug 03 2022

web aug 10 2023 pdf drill string design bha design amik ogs pdf pdf iblis menggugat tuhan pdf pdf fishing lure templates pdf aade 01 nc ho 54 april 11th 2018 design criteria for the water based system the bha was changed out laid down string stabilizer power failed several times and the drill string remained

drill string design bha design amik ogs secure4 khronos - Jul 02 2022

web jun 8 2023 the drill string design bha design amik ogs is globally consistent with any devices to browse drill string design bha design amik ogs is reachable in our literature assemblage an online access to it is set as public so you can get it instantaneously

drill string design bha design amik ogs download only - Apr 11 2023

web design and analysis of a test rig for modeling the bit formation interface in petroleum drilling applications modeling and control of drillstring dynamics for vibration suppression technical english for geosciences

drill string design bha design amik ogs secure4 khronos - Mar 30 2022

web drill string design bha design amik ogs drill string design bha design amik ogs when folk should go to the online bookstores look up commencement by store shelf by shelf it is in point of certainly troublesome however when realize you

drill string design bha design academia edu - Aug 15 2023

web protect the drill string from bending and torsion 2 help to control direction and inclination of wells 3 drill straighter holes or vertical holes 4 provide pendulum effect at low wob 5 reduce dog legs key seats and ledges 6 improve

[drill string design bha design amik ogs pdf](#) - Jun 01 2022

web getting this info acquire the drill string design bha design amik ogs join that we provide here and check out the link you could buy lead drill string design bha design amik ogs or get it as soon as feasible you could quickly download this drill string design bha design amik ogs after getting deal so later you require the ebook swiftly

drill string design bha design amik ogs secure4 khronos - Dec 27 2021

web drill string design bha design amik ogs is universally compatible with any devices to read if you associate custom such a referred drill string design bha design amik

[drill string design bha design amik ogs uniport edu](#) - Feb 26 2022

web drill string design bha design amik ogs by online you might not require more time to spend to go to the book launch as without difficulty as search for them in some cases you likewise get not discover the statement drill string design bha design amik ogs that you are looking for it will no question squander the time

[drill string design bha design amik ogs pdf old talentsprint](#) - Feb 09 2023

web drill string design bha design amik ogs downloaded from old talentsprint com by guest hooper jesus proceedings of the ocean drilling program crc press this doe project was undertaken to develop and test an instrumented data acquisition sub that is mounted in a drill string below the top drive and used to detect downhole events data

[drill string design bha design amik ogs](#) - Jan 28 2022

web drill string design bha design amik ogs olympic perspectives jul 15 2020 historical research on the olympic movement is highly valuable as it displays processes of continuity and transformation by which knowledge building processes on the olympic movement its structure and on olympic sport can be expanded

voyager passport research based reading intervention k 5 - Jul 15 2023

web voyager passport is a comprehensive supplemental reading intervention program that provides struggling readers with explicit instruction corrective feedback and more time on task to master critical reading skills voyager passport also meets the highest level of essa criteria strong

[voyager passport](#) - May 01 2022

web link rel stylesheet href styles 08af2148a4bae0cfd159 css

[ebookreader digital](#) - Mar 31 2022

web ebookreader digital

answer key to voyager passport pdf askstage sharkexperience - Jun 02 2022

web key to voyager passport test enableps comanswer key to voyager passportthe program integrates five components of reading phonemic awareness letter sound recognition word

answer key to voyager passport - Feb 10 2023

web answer key to voyager passport answer key to voyager passport chrysler grand voyager s 206 189 156 32 answer key to voyager passport andulo de chrysler grand voyager s 1999 206 189 156 32 answer key to fcat explorer voyager 128 199 87 59 answer key to fcat voyager practice online document download passport reading

answer key to voyager passport pdf full pdf black ortax - Jan 09 2023

web title answer key to voyager passport pdf full pdf black ortax org created date 9 2 2023 9 56 57 am

tip sheet for virtual schooling voyager sopris learning - Feb 27 2022

web purpose a student passport is sent home with passport students at the completion of an adventure students are encouraged to practice the skills taught and re read the passage to family members 1 the student passport is located on page a 27 in the student book 2 instruct the student on how to complete the page and share with family members 3

collection of stuff - Jun 14 2023

web collection of stuff

answer key to voyager passport pdf 2023 media daruma co - Mar 11 2023

web introduction answer key to voyager passport pdf 2023 practice make perfect french vocabulary eliane kurbegov 2011 09 02 master the words and phrases necessary for handling everyday situations practice makes perfect french vocabulary helps you develop your vocabulary by providing practice in word building and

answer key to voyager passport pdf full pdf voto uneal edu - Nov 07 2022

web answer key to voyager passport pdf upload jason k murray 1 2 downloaded from voto uneal edu br on august 16 2023 by jason k murray answer key to voyager passport pdf maybe you have knowledge that people have look numerous times for their chosen books like this answer key to voyager passport pdf but end up in malicious

answer key to voyager passport pdf - Sep 05 2022

web method can be all best area within net connections answer key to voyager passport test enableps comanswer key to voyager passportthe program integrates five components of reading phonemic awareness letter sound recognition word reading sight words and vocabulary into a 30 40 minute instructional routine voyager passport

answer key to voyager passport cyberlab sutd edu sg - Oct 06 2022

web answer key to voyager passport planetary exploration through year 2000 oct 13 2020 exploring space enhanced ebook apr 06 2020 the exciting discoveries of recent space explorations are described in this book which deals with rockets space

probes and space stations the scientific exploration of our solar system and beyond is described

an overview of voyager passport youtube - Jan 29 2022

web a comprehensive blended reading intervention solution voyager passport systematically teaches fluency vocabulary and comprehension while learn how voyager passport has helped over 1 million

e book answer key to voyager passport free reading - Jul 03 2022

web answer key to voyager passport that can be your partner recognizing the way ways to get this books answer key to voyager passport is additionally useful you have remained in right site to start getting this info get the answer key to voyager passport partner that we give here and check out the link you could buy guide answer key to voyager

answer key to voyager passport neurocme med ucla edu - Aug 04 2022

web 2 answer key to voyager passport 2020 11 01 has been tightened to increase ease of use and accuracy in assessment many of the enhancements to the framework are located in the possible examples rather than in the rubric language or critical attributes for each level of performance esl grammar intermediate advanced national geographic books

answer key to voyager passport pdf uniport edu - Dec 08 2022

web jul 4 2023 answer key to voyager passport 2 8 downloaded from uniport edu ng on july 4 2023 by guest only to have his voyage interrupted by the bombing of pearl harbor bane enlists in the navy and soon becomes a pt boat captain with pt boat squadron 10 fighting in the solomon islands while in love with

an analysis of voyager passport reading intervention program - Dec 28 2021

web voyager passport voyager passport is a patented data driven reading intervention program designed to move struggling readers to grade level voyager expanded learning 2005 tier 3 tier 3 refers to any students performing significantly below grade level academically hayward community school districts rti team 2012

download file answer key to voyager passport pdf free copy - Apr 12 2023

web download file answer key to voyager passport pdf free copy passport fluency reader book 1 adventures 1 4 voyager voyager passport reading journeys program has on 9th grade student reading achievement based on the measure of academic progress assessment a northern kentucky high school s response

download sample lessons from passport voyager sopris - Aug 16 2023

web voyager passport is a k 5 supplemental intervention designed to accelerate learning for students needing to master priority reading skills this reading intervention solution includes targeted instruction in word study fluency comprehension vocabulary writing listening and

pasaport kontrolünde sorulan İngilizce sorular ve cevapları - May 13 2023

web where is the passport control pasaportunuz lütfen your passport please İşte pasaportum here is my passport

pasaportunuzun gelecek ay süresi bitiyor your passport expires next month yeşil sigorta kartım var i have the green insurance policy bu pasaport geçerli değildir this passport isn't valid İyi yolculuklar a pleasant