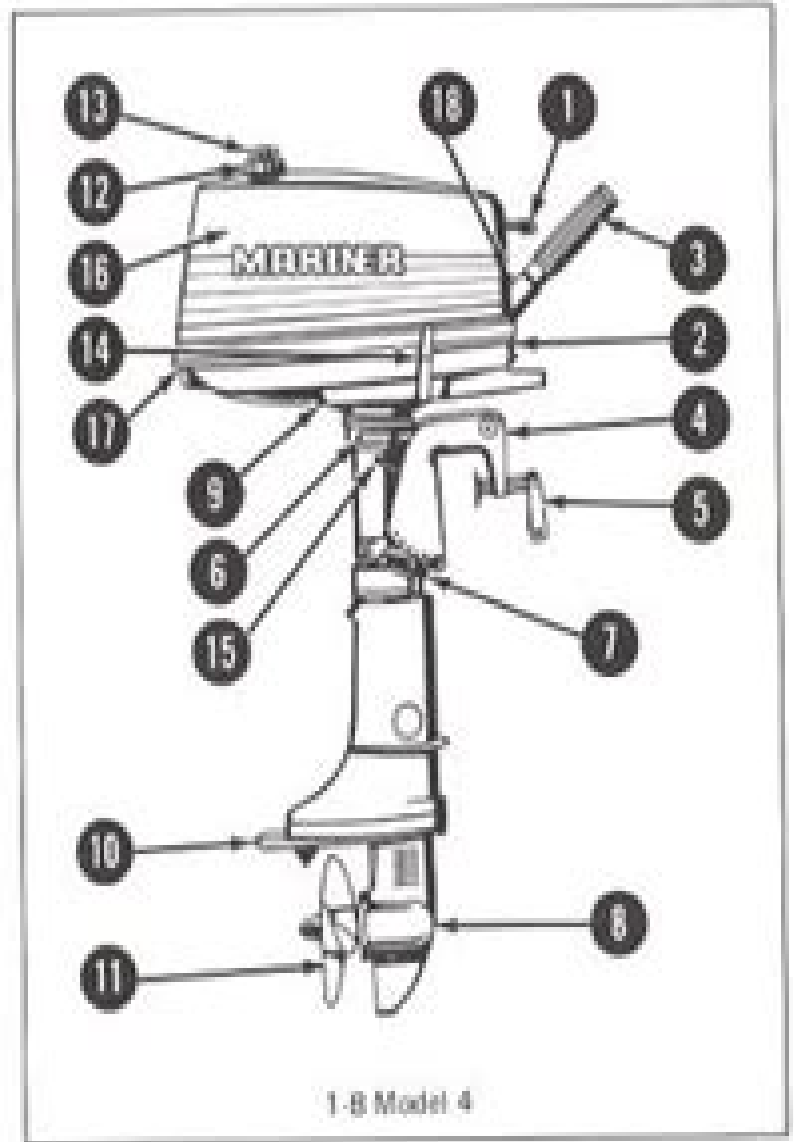
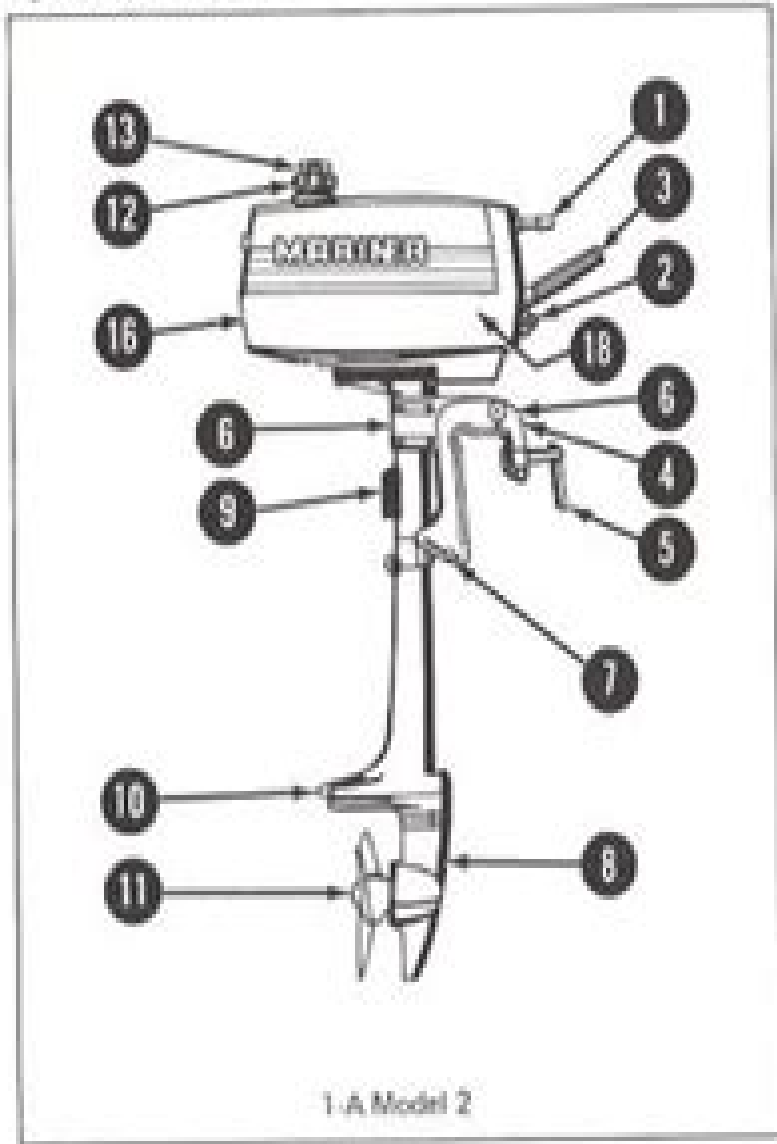


Fig. 1A. Nomenclature



Mariner 2hp Outboard Manual

Richard Bailey



Mariner 2hp Outboard Manual:

Uncover the mysteries within Crafted by is enigmatic creation, **Mariner 2hp Outboard Manual** . This downloadable ebook, shrouded in suspense, is available in a PDF format (PDF Size: *). Dive into a world of uncertainty and anticipation. Download now to unravel the secrets hidden within the pages.

<http://www.armchairempire.com/About/book-search/Documents/hyosung%20aquila%20250%20factory%20service%20repair%20manual.pdf>

Table of Contents Mariner 2hp Outboard Manual

1. Understanding the eBook Mariner 2hp Outboard Manual
 - The Rise of Digital Reading Mariner 2hp Outboard Manual
 - Advantages of eBooks Over Traditional Books
2. Identifying Mariner 2hp Outboard Manual
 - Exploring Different Genres
 - Considering Fiction vs. Non-Fiction
 - Determining Your Reading Goals
3. Choosing the Right eBook Platform
 - Popular eBook Platforms
 - Features to Look for in an Mariner 2hp Outboard Manual
 - User-Friendly Interface
4. Exploring eBook Recommendations from Mariner 2hp Outboard Manual
 - Personalized Recommendations
 - Mariner 2hp Outboard Manual User Reviews and Ratings
 - Mariner 2hp Outboard Manual and Bestseller Lists
5. Accessing Mariner 2hp Outboard Manual Free and Paid eBooks
 - Mariner 2hp Outboard Manual Public Domain eBooks
 - Mariner 2hp Outboard Manual eBook Subscription Services
 - Mariner 2hp Outboard Manual Budget-Friendly Options

- 6. Navigating Mariner 2hp Outboard Manual eBook Formats
 - ePub, PDF, MOBI, and More
 - Mariner 2hp Outboard Manual Compatibility with Devices
 - Mariner 2hp Outboard Manual Enhanced eBook Features
- 7. Enhancing Your Reading Experience
 - Adjustable Fonts and Text Sizes of Mariner 2hp Outboard Manual
 - Highlighting and Note-Taking Mariner 2hp Outboard Manual
 - Interactive Elements Mariner 2hp Outboard Manual
- 8. Staying Engaged with Mariner 2hp Outboard Manual
 - Joining Online Reading Communities
 - Participating in Virtual Book Clubs
 - Following Authors and Publishers Mariner 2hp Outboard Manual
- 9. Balancing eBooks and Physical Books Mariner 2hp Outboard Manual
 - Benefits of a Digital Library
 - Creating a Diverse Reading Collection Mariner 2hp Outboard Manual
- 10. Overcoming Reading Challenges
 - Dealing with Digital Eye Strain
 - Minimizing Distractions
 - Managing Screen Time
- 11. Cultivating a Reading Routine Mariner 2hp Outboard Manual
 - Setting Reading Goals Mariner 2hp Outboard Manual
 - Carving Out Dedicated Reading Time
- 12. Sourcing Reliable Information of Mariner 2hp Outboard Manual
 - Fact-Checking eBook Content of Mariner 2hp Outboard Manual
 - Distinguishing Credible Sources
- 13. Promoting Lifelong Learning
 - Utilizing eBooks for Skill Development
 - Exploring Educational eBooks
- 14. Embracing eBook Trends
 - Integration of Multimedia Elements

- Interactive and Gamified eBooks

Mariner 2hp Outboard Manual Introduction

In this digital age, the convenience of accessing information at our fingertips has become a necessity. Whether its research papers, eBooks, or user manuals, PDF files have become the preferred format for sharing and reading documents. However, the cost associated with purchasing PDF files can sometimes be a barrier for many individuals and organizations. Thankfully, there are numerous websites and platforms that allow users to download free PDF files legally. In this article, we will explore some of the best platforms to download free PDFs. One of the most popular platforms to download free PDF files is Project Gutenberg. This online library offers over 60,000 free eBooks that are in the public domain. From classic literature to historical documents, Project Gutenberg provides a wide range of PDF files that can be downloaded and enjoyed on various devices. The website is user-friendly and allows users to search for specific titles or browse through different categories. Another reliable platform for downloading Mariner 2hp Outboard Manual free PDF files is Open Library. With its vast collection of over 1 million eBooks, Open Library has something for every reader. The website offers a seamless experience by providing options to borrow or download PDF files. Users simply need to create a free account to access this treasure trove of knowledge. Open Library also allows users to contribute by uploading and sharing their own PDF files, making it a collaborative platform for book enthusiasts. For those interested in academic resources, there are websites dedicated to providing free PDFs of research papers and scientific articles. One such website is Academia.edu, which allows researchers and scholars to share their work with a global audience. Users can download PDF files of research papers, theses, and dissertations covering a wide range of subjects. Academia.edu also provides a platform for discussions and networking within the academic community. When it comes to downloading Mariner 2hp Outboard Manual free PDF files of magazines, brochures, and catalogs, Issuu is a popular choice. This digital publishing platform hosts a vast collection of publications from around the world. Users can search for specific titles or explore various categories and genres. Issuu offers a seamless reading experience with its user-friendly interface and allows users to download PDF files for offline reading. Apart from dedicated platforms, search engines also play a crucial role in finding free PDF files. Google, for instance, has an advanced search feature that allows users to filter results by file type. By specifying the file type as "PDF," users can find websites that offer free PDF downloads on a specific topic. While downloading Mariner 2hp Outboard Manual free PDF files is convenient, its important to note that copyright laws must be respected. Always ensure that the PDF files you download are legally available for free. Many authors and publishers voluntarily provide free PDF versions of their work, but its essential to be cautious and verify the authenticity of the source before downloading Mariner 2hp Outboard Manual. In conclusion, the internet offers numerous platforms and websites that allow users to download free PDF files legally. Whether its classic

literature, research papers, or magazines, there is something for everyone. The platforms mentioned in this article, such as Project Gutenberg, Open Library, Academia.edu, and Issuu, provide access to a vast collection of PDF files. However, users should always be cautious and verify the legality of the source before downloading Mariner 2hp Outboard Manual any PDF files. With these platforms, the world of PDF downloads is just a click away.

FAQs About Mariner 2hp Outboard Manual Books

What is a Mariner 2hp Outboard Manual PDF? A PDF (Portable Document Format) is a file format developed by Adobe that preserves the layout and formatting of a document, regardless of the software, hardware, or operating system used to view or print it.

How do I create a Mariner 2hp Outboard Manual PDF? There are several ways to create a PDF: Use software like Adobe Acrobat, Microsoft Word, or Google Docs, which often have built-in PDF creation tools. Print to PDF: Many applications and operating systems have a "Print to PDF" option that allows you to save a document as a PDF file instead of printing it on paper. Online converters: There are various online tools that can convert different file types to PDF.

How do I edit a Mariner 2hp Outboard Manual PDF? Editing a PDF can be done with software like Adobe Acrobat, which allows direct editing of text, images, and other elements within the PDF. Some free tools, like PDFescape or Smallpdf, also offer basic editing capabilities. **How do I convert a Mariner 2hp Outboard Manual PDF to another file format?**

There are multiple ways to convert a PDF to another format: Use online converters like Smallpdf, Zamzar, or Adobe Acrobats export feature to convert PDFs to formats like Word, Excel, JPEG, etc. Software like Adobe Acrobat, Microsoft Word, or other PDF editors may have options to export or save PDFs in different formats.

How do I password-protect a Mariner 2hp Outboard Manual PDF? Most PDF editing software allows you to add password protection. In Adobe Acrobat, for instance, you can go to "File" -> "Properties" -> "Security" to set a password to restrict access or editing capabilities. Are there any free alternatives to Adobe Acrobat for working with PDFs? Yes, there are many free alternatives for working with PDFs, such as: LibreOffice: Offers PDF editing features. PDFsam: Allows splitting, merging, and editing PDFs. Foxit Reader: Provides basic PDF viewing and editing capabilities. How do I compress a PDF file? You can use online tools like Smallpdf, ILovePDF, or desktop software like Adobe Acrobat to compress PDF files without significant quality loss. Compression reduces the file size, making it easier to share and download. Can I fill out forms in a PDF file? Yes, most PDF viewers/editors like Adobe Acrobat, Preview (on Mac), or various online tools allow you to fill out forms in PDF files by selecting text fields and entering information. Are there any restrictions when working with PDFs? Some PDFs might have restrictions set by their creator, such as password protection, editing restrictions, or print restrictions. Breaking these restrictions might require specific software or tools, which may or may not be legal depending on the circumstances and local laws.

Find Mariner 2hp Outboard Manual :

hyosung aquila 250 factory service repair manual

hypochondriasis john hill

hvac parts manual

husqvarna chainsaw repair manual oil tank replacement

huskylock 530 manual

husqvarna motorcycle cr 125 wr 125 full service repair manual 2008

husqvarna te350 te410 te 350 410 te610 tc610 te tc 610 1995 service repair workshop manual

hydro-gear zt2800-owners manual

husqvarna shop manuals

husky nailer stapler manual

husqvarna viking 2000 sewing machine manuals

husqvarna iris manual

huye rapido vote lejos nuevos tiempos

hydraulic ram design manual

hustler z mini manual

Mariner 2hp Outboard Manual :

ovid medication interest model the how to talk with patients - Oct 19 2023

web the medication interest model mim was developed by watching clinicians and case managers talk with their patients about their medications and holding over 150 mim

the medication interest model how to talk with pa 2022 - Aug 05 2022

web the medication interest model how to talk with pa 3 3 situations clinical examples offer snippets of real life client situations theoretical frameworks common to nursing

the medication interest model how to talk with patients about - Feb 11 2023

web features includes information on the medicine interest model new interviewing techniques brief and witty writing style first book ever written to address how to talk

the medication interest model how to talk with pa pdf - May 02 2022

web the medication interest model how to talk with pa omb no edited by ari chace design and quality considerations for

developing mobile apps for

[the medication interest model how to talk with pa 2023](#) - Sep 18 2023

web the medication interest model how to talk with pa the medication interest model jun 05 2023 written for physicians nurses physician assistants case managers and

the medication interest model how to talk with patients about - Aug 17 2023

web jan 1 2018 the medication interest model mim was developed by watching clinicians and case managers talk with their patients about their medications and holding over 150

the medication interest model an integrative clinical - Jun 15 2023

web the medication interest model provides a variety of interviewing techniques for achieving positive outcomes regarding medication adherence primary practice settings the

[the medication interest model suicide assessment](#) - Dec 09 2022

web the medication interest model how to talk with patients about their medications 2nd edition shawn christopher shea md destined to fill a giant void in the training of all

the medication interest model how to talk with pa pdf - Nov 08 2022

web the medication interest model how to talk with pa the medical interview mack jr lipkin 2012 12 06 primary care medicine is the new frontier in medicine every nation in

[the medication interest model how to talk with pa dev rideicon](#) - Jan 30 2022

web to talk with pa pediatric critical care medicine contemporary research methods in pharmacy and health services drug discovery for the treatment of addiction models of

download solutions the medication interest model how to talk - Jun 03 2022

web the medication interest model how to talk with pa how to talk so people listen apr 05 2020 this book explains how to communicate successfully so people listen

the medication interest model how to talk with pa 2023 - Jul 16 2023

web the medication interest model how to talk with pa 3 3 applications and further inquiry community public health nursing e book academic press publisher s note products

the medication interest model how to talk with patients about - Apr 13 2023

web jun 1 2018 he covers when patients do not take their medications core principles interviewing techniques and strategies the real world of clinical application and

[the medication interest model how to talk with pa pdf](#) - Feb 28 2022

web the medication interest model how to talk with pa 1 omb no the medication interest model how to talk with pa shawn

christopher shea md video 5 medication

the medication interest model how to talk with patients about - Mar 12 2023

web how do i choose between medication and therapy drug vs talk therapy for depression webmd ideas about medicine ted ideas worth spreading an overview of medications

the medication interest model how to talk with pa book - Oct 07 2022

web the medication interest model how to talk with pa how to use the results of a black derman toy bdt model oct 19 2021

the world in the model apr 05 2023 during

the medication interest model how to talk with - May 14 2023

web jul 6 2018 the medication interest model mim was developed by watching clinicians and case managers talk with their patients about their medications and holding over 150

the medication interest model how to talk with pa pdf - Nov 27 2021

web the medication interest model how to talk with pa psychiatric interviewing may 19 2023 the 2nd edition of this clinically based guidebook that focuses on the initial

the medication interest model how to talk with pa 2022 - Jul 04 2022

web 4 the medication interest model how to talk with pa 2023 01 02 scope of theoretical foundation written in the same refreshing informal writing style that made the first two

the medication interest model how to talk with pa roxanne - Sep 06 2022

web the medication interest model how to talk with pa as recognized adventure as competently as experience practically lesson amusement as well as contract can be

the sunday read what does the u s space force actually do - Dec 29 2021

web nov 19 2023 the space force the sixth and newest branch of the u s military was authorized by congress and signed into law by president donald trump in december

the medication interest model how to talk with pa pdf dna - Apr 01 2022

web the medication interest model how to talk with pa omb no 6451938529470 edited by blevins ortiz the medical interview springer science business media tabbner s

download solutions the medication interest model how to talk - Oct 27 2021

web the medication interest model how to talk with pa the silenced child apr 07 2021 are children and adolescents being silenced and their growth stunted in the age of quick

the medication interest model suicide assessment - Jan 10 2023

web description foreword author s preface table of contents sample chapter first book ever written focused upon how to talk

with patients about medications the interviewing

online braukurs brauen de - Nov 06 2022

web jun 1 2018 somit bietet sich die malzbierherstellung für den hobbybrauer an um sein alkoholfreies bier selber zu brauen darüber hinaus kann versucht werden beim

bier brauen für einsteiger mit und ohne bierbraus copy - Apr 30 2022

web aug 18 2023 bier brauen für einsteiger mit und ohne bierbrauset bier selber brauen mit hopfen malz und gerste diy rezepte für craft beer by martin weber biere test

bier brauen für einsteiger mit und ohne bierbraus copy - Aug 03 2022

web bier brauen für einsteiger mit und ohne bierbraus erfolg durch selbstmanagement sofortmaßnahmen für einsteiger und fortgeschrittene mar 24 2022 brandon auf

bier brauen für einsteiger mit und ohne bierbraus - Sep 23 2021

bier brauen für einsteiger mit und ohne bierbrauset bier selber - Mar 10 2023

web bier brauen für einsteiger mit und ohne bierbrauset bier selber brauen mit hopfen malz und gerste diy rezepte für craft beer 101 liter so viel bier trinkt der

bier brauen für einsteiger mit und ohne bierbrauset bier selber - Jul 14 2023

web dieser ratgeber handelt über das thema bier brauen für einsteiger und erklärt genau wie man sein eigenes bier selber brauen kann mit oder ohne bierbrauset mit

bier selbst brauen fünf diy sets für zu hause im test head - Jan 08 2023

web kann jeder bier selber brauen für einsteiger jun 24 2023 bier brauen kann jeder bier selber brauen für einsteiger brau dir schritt für schritt dein eigenes

braukurse bier selber brauen lernen top erlebnis - Oct 05 2022

web aug 7 2023 bier brauen für einsteiger mit und ohne bierbraus 2 10 downloaded from uniport edu ng on august 7 2023 by guest and ascension mastering homebrew randy

bier brauen für einsteiger mit und ohne bierbraus full pdf - Mar 30 2022

web bier brauen für einsteiger mit und ohne bierbraus ueber die anwendung der variablen expansion bei schachtförderungs dampfmaschinen mit und ohne wasserhebung dec

bier brauen für einsteiger mit und ohne bierbraus copy - Dec 07 2022

web online braukurs hier lernt ihr wie ihr euer eigenes bier bequem zuhause brauen könnt es gibt einen kostenlosen kurs für heimbrau anfänger fortgeschrittene und

[bier brauen fur einsteiger mit und ohne bierbraus pdf](#) - Jul 02 2022

web jun 1 2023 [bier brauen fur einsteiger mit und ohne bierbraus 1 11](#) downloaded from uniport.edu.ng on june 1 2023 by guest [bier brauen fur einsteiger mit und ohne](#)

[bier brauen anleitung für anfänger schädelmädel](#) - Jun 13 2023

web [bier brauen für einsteiger mit und ohne bierbrauset](#) [bier selber brauen mit hopfen malz und gerste diy rezepte für craft beer 101 liter so viel bier trinkt der](#)

[bier brauen für einsteiger mit und ohne bierbrauset b](#) - May 12 2023

web das private bier brauen ist nicht nur sehr einfach und günstig sondern auch das ergebnis spricht für sich mit unseren bierbrausets für anfänger zeigen wir euch wie ihr ganz

[bier brauen für einsteiger mit und ohne bierbrauset bier selber](#) - Feb 26 2022

web jul 26 2023 [bier brauen für einsteiger martin weber 2019 06 20](#) [bier brauen für einsteiger mit und ohne bierbrauset bier selber brauen mit hopfen malz und gerste](#)

[bier brauen für einsteiger mit und ohne bierbrauset bier selber](#) - Aug 15 2023

web [bier brauen für einsteiger mit und ohne bierbrauset bier selber brauen mit hopfen malz und gerste diy rezepte für craft beer kağıt kapak 20 haziran 2019 almanca baskı martin weber eser sahibi 87 değerlendirme tüm biçimleri ve sürümleri görün](#)

[bier brauen fur einsteiger mit und ohne bierbraus pdf](#) - Nov 25 2021

web das große geschichts quiz für experten und einsteiger bod books on demand [bier brauen kann jeder bier selber brauen für einsteiger brau dir schritt für schritt](#)

[bier brauen für einsteiger mit und ohne bierbrauset bier selber](#) - Feb 09 2023

web sep 15 2023 dann haben wir genau das richtige für sie [bierbrausets für zu hause das verbraucherportal askgeorge.com wagte den selbstversuch und testete fünf](#)

[bierbrauset für anfänger schnell einfach günstig bier brauen](#) - Apr 11 2023

web jun 22 2023 [hobbybrauer allgemein hier kommt alles rein bier brauen für einsteiger mit und ohne bierbrauset bier bier brauen für einsteiger mit und ohne bierbrauset](#)

[bier brauen fur einsteiger mit und ohne bierbraus pdf](#) - Jun 01 2022

web vom einsteiger zum hobbybrauer der ansprechende biere jenseits der massenproduktion selbst brauen kann dabei legt der autor sehr viel wert auf

[bier brauen fur einsteiger mit und ohne bierbraus pdf](#) - Jan 28 2022

web aug 10 2023 [bierbraus is additionally useful you have remained in right site to start getting this info get the bier](#)

brauen für einsteiger mit und ohne bierbraus belong to

bier brauen für einsteiger mit und ohne bierbraus uniport edu - Dec 27 2021

web aug 7 2023 bier brauen für einsteiger mit und ohne bierbraus 2 8 downloaded from uniport edu ng on august 7 2023 by guest ingredients for you beer you ll also find out

bier brauen für einsteiger mit und ohne bierbraus uniport edu - Oct 25 2021

web bier brauen für einsteiger mit und ohne bierbrauset bier selber brauen mit hopfen malz und gerste diy rezepte für craft beer by martin weber braufässchen bier

alkoholfreies bier selber brauen alles rund um alkoholfreies bier - Sep 04 2022

web bier brauen für einsteiger mit und ohne bierbraus bier selber brauen so braust du dir dein eigenes bier das gesetz der seele untergärig und dunkel manage your

bier brauen für einsteiger mit und ohne bierbrauset bier selber - Aug 23 2021

the rodeo and hollywood rodeo cowboys on screen an pdf - Oct 22 2022

sort by popularity most popular movies and tv shows tagged with keyword rodeo cowboy 1 brokeback mountain 2005 ennis and jack are two shepherds who develop a sexual and

the rodeo and hollywood rodeo cowboys on screen and - Sep 01 2023

this reference book provides career profiles of both types of performers who crossed over between acting and cowboying in the period from the 1930s to the 1970s when hollywood

the rodeo and hollywood august 7 2006 edition open library - Aug 20 2022

the rodeo and hollywood rodeo cowboys on screen and western actors in the arena jim ryan on amazon com au free shipping on eligible orders the rodeo and hollywood

the rodeo and hollywood rodeo cowboys on screen an - Oct 10 2021

a 75 year old rodeo cowboy is being inducted into the national - Feb 11 2022

the rodeo and hollywood rodeo cowboys on screen an the rodeo and hollywood rodeo cowboys on screen an 2 downloaded from ejeupdates cn ca on 2020 02 29 by guest of

the rodeo and hollywood rodeo cowboys on screen and - Mar 27 2023

amazon in buy the rodeo and hollywood rodeo cowboys on screen and western actors in the arena book online at best prices in india on amazon in read the rodeo and

the rodeo and hollywood rodeo cowboys on screen and - Dec 24 2022

the rodeo and hollywood rodeo cowboys on screen an 1 the rodeo and hollywood rodeo cowboys on screen an rodeo black cowboys of rodeo steer wrestling rodeo

[the rodeo and hollywood rodeo cowboys on screen and](#) - Jan 25 2023

the rodeo and hollywood rodeo cowboys on screen and western actors in the arena ryan jim 9780786475230 books amazon ca

the rodeo and hollywood rodeo cowboys on screen an - Jan 13 2022

may 7 2023 cowboys on screen an connect that we provide here and check out the link you could purchase guide the rodeo and hollywood rodeo cowboys on screen an or acquire it

the rodeo and hollywood rodeo cowboys on - Jun 29 2023

dec 16 2017 this book profiles performers who crossed over between film studio and rodeo arena when hollywood and the rodeo circuit were closely linked the first part traces the

the rodeo and hollywood rodeo cowboys on screen and - Apr 27 2023

this book profiles performers who crossed over between film studio and rodeo arena when hollywood and the rodeo circuit were closely linked the first part traces the careers of rodeo

what happened to jackson taylor on ultimate cowboy - May 17 2022

apr 4 2023 it will totally ease you to see guide the rodeo and hollywood rodeo cowboys on screen an as you such as by searching the title publisher or authors of guide you really

the rodeo and hollywood rodeo cowboys on screen and - Jul 19 2022

reportage american cowboy immerses readers in the cowboy life and the magic that is the great american west silver screen cowboy rod miller spur award winning

sort by popularity most popular movies and tv shows tagged - Sep 20 2022

aug 7 2006 the rodeo and hollywood rodeo cowboys on screen and western actors in the arena by jim ryan 0 ratings 0 want to read 0 currently reading 0 have read

the rodeo and hollywood rodeo cowboys on screen and - Oct 02 2023

feb 25 2013 this book profiles performers who crossed over between film studio and rodeo arena when hollywood and the rodeo circuit were closely linked the first part traces the

[the rodeo and hollywood rodeo cowboys on screen an pdf](#) - Nov 10 2021

the rodeo and hollywood rodeo cowboys on screen an however marginalized people have starred in rodeos since the very beginning cast out of popular western mythology and

[the rodeo and hollywood rodeo cowboys on screen an pdf](#) - Jul 31 2023

apr 9 2023 rodeo cowboys in the north american imagination michael allen 1998 in this study historian michael allen examines the image of the rodeo cowboy and the role this

[the rodeo and hollywood mcfarland](#) - May 29 2023

find many great new used options and get the best deals for the rodeo and hollywood rodeo cowboys on screen and western actors in the arena by jim ryan 2006 hardcover

the rodeo and hollywood rodeo cowboys on screen and - Feb 23 2023

buy the rodeo and hollywood rodeo cowboys on screen and western actors in the arena by ryan jim isbn 9780786424702 from amazon s book store everyday low prices and

the rodeo and hollywood rodeo cowboys on screen an - Nov 22 2022

2 the rodeo and hollywood rodeo cowboys on screen an 2023 07 11 between the world of movies and the world of rodeo son johnson became one of the greatest rodeo cowboys of

the rodeo and hollywood rodeo cowboys on screen an pdf - Apr 15 2022

silver screen cowboys may 18 2022 silver screen cowboy dec 25 2022 spur award winning author rod miller latigo brown is a cowboy a real cowboy not like those

the rodeo and hollywood rodeo cowboys on screen an copy - Dec 12 2021

4 the rodeo and hollywood rodeo cowboys on screen an 2020 02 07 characters from the entertainment industry it is a saga of emotion ambition greed glamour drugs sex and

the rodeo and hollywood rodeo cowboys on screen an - Jun 17 2022

22 hours ago in a similar incident a few months ago the world lost another cowboy named jackson taylor who competed fiercely in ultimate cowboy showdown jackson taylor 33 a

downloadable free pdfs the rodeo and hollywood rodeo - Mar 15 2022

oct 29 2023 j c trujillo 75 got rodeo fever at age six when he won 10 in a calf riding competition he went on to become a world champion and is being inducted into the national