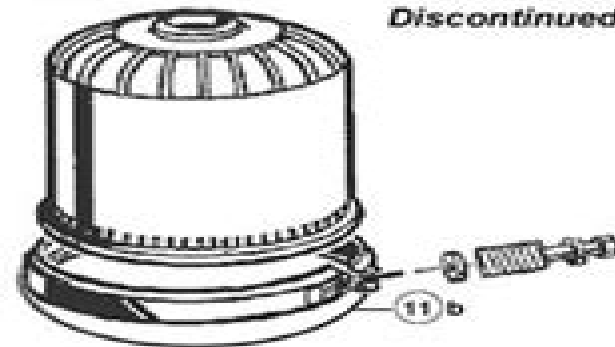


Models Made Before 2008

Discontinued



Hayward has discontinued the top, bottom, clamp and clamp nut on the old style Pro-Grid filters. The new style is not compatible (look closely at the clamp, the new one to the left is much thinner). All other parts are compatible.

Unfortunately if you are in need of one of these parts, replacement of the entire filter is the only option. There are some 3rd party manufacturers making obsolete Hayward parts, as of now none of these parts are in production. We are working closely with these manufacturers, as they become available we will post them here.

Hayward Pool Filter Instruction Manual

Karin Nielsen-Saines



Hayward Pool Filter Instruction Manual:

The Complete Pool Manual for Homeowners & Professionals Dan Hardy, 2007 Described as a lifesaver for pool owners this book reveals how to save money on pool maintenance while handling poisons safely Pool doctor Hardy draws on his 20 years of experience in the industry to reveal everything homeowners and professionals need to know about chemicals mechanics safety repairing filtration and more

A Guide to Swimming Pool Maintenance and Filtration Systems E T Chan, 2022-08-30 Swimming pools offer a controlled environment in which to exercise and they can also provide hours of fun and recreation But installing and maintaining a swimming pool can be a daunting task In A Guide to Swimming Pool Maintenance and Filtration Systems author E T Chan presents fundamental principles in the planning design maintenance and operation of swimming pools including the sizing of the pool filtration system and the filtration plant room Illustrated with stories and anecdotes from Chan s personal experience this guide offers technical know how to correctly design and install proper swimming pool filtration systems He discusses the importance of physics and science in maintaining a healthy pool and provides awareness of general pool health versus swimmer health Filled with a wealth of practical information Chan includes diagrams charts and graphs to help pool professionals apply their skills A Guide to Swimming Pool Maintenance and Filtration Systems serves as a manual for those involved in swimming pool design construction and maintenance It contains details covering the required mechanical and electrical engineering as well as the application of swimming pool filtration system designs and analyses in solving most of the practical and complex problems faced by the professionals in the industry today

Black & Decker The Complete Guide: Maintain Your Pool & Spa Rich Binsacca, 2007-01-01 Better maintenance means more enjoyment of your pool or spa Black Decker The Complete Guide Maintain Your Pool Spa will both inspire and educate readers on the practical points of owning and maintaining a home swimming pool hot tub or recreational whirlpool For those considering a recreational water feature an exciting gallery chapter and a planning design chapter will show the latest trends and products and unique new ways to integrate a pool or spa into the landscape The book also includes an overview of each type of structure including above ground and in ground swimming pools stand alone whirlpools integrated pool spa installations and pool houses and accessories For readers who already own a pool or spa lengthy detailed chapters on basic maintenance water quality seasonal upkeep and routine repairs provide everything needed to keep water features in good operating condition Even the mechanical systems pumps heaters drains and skimmers are covered in depth With this book no pool or spa owner will need to spend money on a professional pool care service and may never need to call a repairman

Public Works Manual ,1998 **Federal Supplement** ,1986 Installation and Operation of a Modular Bivalve Hatchery Samia Sarkis, 2007-01-01 This publication contains guidance on establishing a bivalve hatchery covering both the technicalities of setting up and operating a hatchery as well as some basic scientific background issues Information is given for each stage of rearing broodstock conditioning algal culture hatchery nursery and growout of juveniles including

the physical requirements and culture considerations and procedures for each rearing stage The final chapter on economic considerations provides an insight into the labour involved for each stage of production along with a list of equipment and supplies which may be used as a template for a new installation It includes a CD ROM with the complete text of the complete publication

How to Clean and Service Your HAYWARD Pool Filter Stan BLAKENEY,2020-04-24 This book will show you how to completely disassemble clean inspect reassemble and service your Hayward D E Seris Pool Filter **Public Works Manual and Catalog File** ,1977 Laxton's Building Price Book 2002 V B Johnson,2001-10-10 Laxton s gives you access to the most reliable and current data All 250 000 price elements have been individually checked and updated for the 2002 edition so that your estimates are always accurate and cost competitive Laxton s makes analytical estimating simple and straightforward by displaying a complete breakdown for all measured items under 10 separate headings all on a single page This shows you a complete price build up at a glance and gives you the option to make price adjustments wherever necessary You can find the sections you need quickly and easily via the special marker system on the front cover and page edges The free CD with this price book contains Masterbill s ESTIMATOR software and fully resourced data on all the price elements in Laxtons Not only does the CD offer fast and efficient pricing at the touch of a button it gives details of all the resources required to do the job Laxton s approximate estimating section gives all in pricing for quick reference on the cost of composite items such as floors helping you calculate the cost implications of using plywood sheeting rather than softwood boarding for example Laxton s Basic Price section gives you a quick price on hundreds of items from concrete work to roofing materials to save you going through hundreds of lists from suppliers manufacturers and building merchants Laxton s Brand and Trade Names section lists over 12 000 brands and trade names and company addresses to help you locate specific items Latest wage rates fees and allowances All 250 000 price elements checked and updated **The Builder** ,1910

IAPD/IPRA Membership Directory and Buyers' Guide ,1998 Catalog of Copyright Entries. Third Series Library of Congress. Copyright Office,1968 *Building* ,1910 **Regional Industrial Buying Guide** ,2005 Popular Science ,1980-07 Popular Science gives our readers the information and tools to improve their technology and their world The core belief that Popular Science and our readers share The future is going to be better and science and technology are the driving forces that will help make it better **TV Guide** ,1996 **Catalogue of Title-entries of Books and Other Articles Entered in the Office of the Librarian of Congress, at Washington, Under the Copyright Law ... Wherein the Copyright Has Been Completed by the Deposit of Two Copies in the Office** Library of Congress. Copyright Office,1969 **Books and Pamphlets, Including Serials and Contributions to Periodicals** Library of Congress. Copyright Office,1968 Official Gazette of the United States Patent and Trademark Office ,1975 Scientific American ,1885 Monthly magazine devoted to topics of general scientific interest

Yeah, reviewing a book **Hayward Pool Filter Instruction Manual** could accumulate your close friends listings. This is just one of the solutions for you to be successful. As understood, talent does not recommend that you have astonishing points.

Comprehending as competently as harmony even more than supplementary will have the funds for each success. neighboring to, the pronouncement as without difficulty as acuteness of this Hayward Pool Filter Instruction Manual can be taken as without difficulty as picked to act.

http://www.armchairempire.com/About/publication/Download_PDFS/John_Deere_544j_Wheel Loader_Manual.pdf

Table of Contents Hayward Pool Filter Instruction Manual

1. Understanding the eBook Hayward Pool Filter Instruction Manual
 - The Rise of Digital Reading Hayward Pool Filter Instruction Manual
 - Advantages of eBooks Over Traditional Books
2. Identifying Hayward Pool Filter Instruction Manual
 - Exploring Different Genres
 - Considering Fiction vs. Non-Fiction
 - Determining Your Reading Goals
3. Choosing the Right eBook Platform
 - Popular eBook Platforms
 - Features to Look for in an Hayward Pool Filter Instruction Manual
 - User-Friendly Interface
4. Exploring eBook Recommendations from Hayward Pool Filter Instruction Manual
 - Personalized Recommendations
 - Hayward Pool Filter Instruction Manual User Reviews and Ratings
 - Hayward Pool Filter Instruction Manual and Bestseller Lists
5. Accessing Hayward Pool Filter Instruction Manual Free and Paid eBooks
 - Hayward Pool Filter Instruction Manual Public Domain eBooks

- Hayward Pool Filter Instruction Manual eBook Subscription Services
- Hayward Pool Filter Instruction Manual Budget-Friendly Options
- 6. Navigating Hayward Pool Filter Instruction Manual eBook Formats
 - ePub, PDF, MOBI, and More
 - Hayward Pool Filter Instruction Manual Compatibility with Devices
 - Hayward Pool Filter Instruction Manual Enhanced eBook Features
- 7. Enhancing Your Reading Experience
 - Adjustable Fonts and Text Sizes of Hayward Pool Filter Instruction Manual
 - Highlighting and Note-Taking Hayward Pool Filter Instruction Manual
 - Interactive Elements Hayward Pool Filter Instruction Manual
- 8. Staying Engaged with Hayward Pool Filter Instruction Manual
 - Joining Online Reading Communities
 - Participating in Virtual Book Clubs
 - Following Authors and Publishers Hayward Pool Filter Instruction Manual
- 9. Balancing eBooks and Physical Books Hayward Pool Filter Instruction Manual
 - Benefits of a Digital Library
 - Creating a Diverse Reading Collection Hayward Pool Filter Instruction Manual
- 10. Overcoming Reading Challenges
 - Dealing with Digital Eye Strain
 - Minimizing Distractions
 - Managing Screen Time
- 11. Cultivating a Reading Routine Hayward Pool Filter Instruction Manual
 - Setting Reading Goals Hayward Pool Filter Instruction Manual
 - Carving Out Dedicated Reading Time
- 12. Sourcing Reliable Information of Hayward Pool Filter Instruction Manual
 - Fact-Checking eBook Content of Hayward Pool Filter Instruction Manual
 - Distinguishing Credible Sources
- 13. Promoting Lifelong Learning
 - Utilizing eBooks for Skill Development
 - Exploring Educational eBooks

14. Embracing eBook Trends

- Integration of Multimedia Elements
- Interactive and Gamified eBooks

Hayward Pool Filter Instruction Manual Introduction

In this digital age, the convenience of accessing information at our fingertips has become a necessity. Whether its research papers, eBooks, or user manuals, PDF files have become the preferred format for sharing and reading documents. However, the cost associated with purchasing PDF files can sometimes be a barrier for many individuals and organizations. Thankfully, there are numerous websites and platforms that allow users to download free PDF files legally. In this article, we will explore some of the best platforms to download free PDFs. One of the most popular platforms to download free PDF files is Project Gutenberg. This online library offers over 60,000 free eBooks that are in the public domain. From classic literature to historical documents, Project Gutenberg provides a wide range of PDF files that can be downloaded and enjoyed on various devices. The website is user-friendly and allows users to search for specific titles or browse through different categories. Another reliable platform for downloading Hayward Pool Filter Instruction Manual free PDF files is Open Library. With its vast collection of over 1 million eBooks, Open Library has something for every reader. The website offers a seamless experience by providing options to borrow or download PDF files. Users simply need to create a free account to access this treasure trove of knowledge. Open Library also allows users to contribute by uploading and sharing their own PDF files, making it a collaborative platform for book enthusiasts. For those interested in academic resources, there are websites dedicated to providing free PDFs of research papers and scientific articles. One such website is Academia.edu, which allows researchers and scholars to share their work with a global audience. Users can download PDF files of research papers, theses, and dissertations covering a wide range of subjects. Academia.edu also provides a platform for discussions and networking within the academic community. When it comes to downloading Hayward Pool Filter Instruction Manual free PDF files of magazines, brochures, and catalogs, Issuu is a popular choice. This digital publishing platform hosts a vast collection of publications from around the world. Users can search for specific titles or explore various categories and genres. Issuu offers a seamless reading experience with its user-friendly interface and allows users to download PDF files for offline reading. Apart from dedicated platforms, search engines also play a crucial role in finding free PDF files. Google, for instance, has an advanced search feature that allows users to filter results by file type. By specifying the file type as "PDF," users can find websites that offer free PDF downloads on a specific topic. While downloading Hayward Pool Filter Instruction Manual free PDF files is convenient, its important to note that copyright laws must be respected. Always ensure that the PDF files you download are legally available for free. Many authors and publishers voluntarily provide free PDF versions of their

work, but its essential to be cautious and verify the authenticity of the source before downloading Hayward Pool Filter Instruction Manual. In conclusion, the internet offers numerous platforms and websites that allow users to download free PDF files legally. Whether its classic literature, research papers, or magazines, there is something for everyone. The platforms mentioned in this article, such as Project Gutenberg, Open Library, Academia.edu, and Issuu, provide access to a vast collection of PDF files. However, users should always be cautious and verify the legality of the source before downloading Hayward Pool Filter Instruction Manual any PDF files. With these platforms, the world of PDF downloads is just a click away.

FAQs About Hayward Pool Filter Instruction Manual Books

What is a Hayward Pool Filter Instruction Manual PDF? A PDF (Portable Document Format) is a file format developed by Adobe that preserves the layout and formatting of a document, regardless of the software, hardware, or operating system used to view or print it. **How do I create a Hayward Pool Filter Instruction Manual PDF?** There are several ways to create a PDF: Use software like Adobe Acrobat, Microsoft Word, or Google Docs, which often have built-in PDF creation tools. Print to PDF: Many applications and operating systems have a "Print to PDF" option that allows you to save a document as a PDF file instead of printing it on paper. Online converters: There are various online tools that can convert different file types to PDF. **How do I edit a Hayward Pool Filter Instruction Manual PDF?** Editing a PDF can be done with software like Adobe Acrobat, which allows direct editing of text, images, and other elements within the PDF. Some free tools, like PDFescape or Smallpdf, also offer basic editing capabilities. **How do I convert a Hayward Pool Filter Instruction Manual PDF to another file format?** There are multiple ways to convert a PDF to another format: Use online converters like Smallpdf, Zamzar, or Adobe Acrobats export feature to convert PDFs to formats like Word, Excel, JPEG, etc. Software like Adobe Acrobat, Microsoft Word, or other PDF editors may have options to export or save PDFs in different formats. **How do I password-protect a Hayward Pool Filter Instruction Manual PDF?** Most PDF editing software allows you to add password protection. In Adobe Acrobat, for instance, you can go to "File" -> "Properties" -> "Security" to set a password to restrict access or editing capabilities. Are there any free alternatives to Adobe Acrobat for working with PDFs? Yes, there are many free alternatives for working with PDFs, such as: LibreOffice: Offers PDF editing features. PDFsam: Allows splitting, merging, and editing PDFs. Foxit Reader: Provides basic PDF viewing and editing capabilities. How do I compress a PDF file? You can use online tools like Smallpdf, ILovePDF, or desktop software like Adobe Acrobat to compress PDF files without significant quality loss. Compression reduces the file size, making it easier to share and download. Can I fill out forms in a PDF file? Yes, most PDF viewers/editors like Adobe Acrobat, Preview (on Mac), or various online tools allow you to fill out

forms in PDF files by selecting text fields and entering information. Are there any restrictions when working with PDFs? Some PDFs might have restrictions set by their creator, such as password protection, editing restrictions, or print restrictions. Breaking these restrictions might require specific software or tools, which may or may not be legal depending on the circumstances and local laws.

Find Hayward Pool Filter Instruction Manual :

[john deere 544j wheel loader manual](#)

[john deere 506 repair manuals](#)

john deere 310e backhoe differential manual

john deere 730 for sale

john deere 500 series a loader backhoe oem parts manual

john deere 305 manual

john deere 1026r operators manual

[john deere 750 drill operators manual](#)

[john deere 216 manual free](#)

[john deere 336 manual](#)

john deere 214 riding owners manual

john deere 140 service manual

john deere 5525 manual

john deere 450 crawler loader shop manual

john deere 2600 semi integral moldboard plow part manual

Hayward Pool Filter Instruction Manual :

toys and kids furniture plans wood - Oct 01 2022

web discover woodworking plans for children s toys and furniture including beds cradles and chairs not to mention games puzzles and model planes ships construction equipment and automobiles most recent mil spec m1a1 abrams tank woodworking plan read more 3 in 1 bed for all ages woodworking plan read more

wooden toys free woodworking plans and other childrens and - Feb 05 2023

web wooden toys free woodworking plans and projects instructions to build fun childrens projects also plans for wooden toys

you can buy accesories for kids toys and related information sponsored ad pattern wagon of toys may be suitable for carving woodburning pyrography intarsia or scrollsaw ideas category animals

17 diy wooden toy plans with images diyncrafty - Aug 11 2023

web if you re looking for something to get your kid interested in woodworking these 17 diy wooden toy plans will be your solution this list of plans covers everything from dolls and animals to cars and trucks these are all classic toys that kids love some of the plans include instructions for building the whole toy and others just the wooden

toymakingplans youtube - Apr 07 2023

web visit us at toymakingplans com toymakingplans com creates original high quality wood toy plans and books for hobbyists and woodworkers all toymakingplans com toy plans and books are

wooden toys instructables - May 08 2023

web wooden toys by kreat0r in living toys games 64 227 42 a collection of easy to make wooden toys that your kids will enjoy

26 free diy wooden toy plans with pictures house grail - Jun 09 2023

web may 5 2023 in this guide we ve selected some of our favorite plans that teach you how to build wooden toys there will be great options here both for beginners and people with a more advanced skillset so read on for some wooden toy plans the 26 diy wooden toy plans 1 wooden camera moderate difficulty from lilblueboo image credit lilblueboo

17 diy wooden toy plans for kiddos mint design blog - Mar 26 2022

web diy wooden toy plans this article provides 17 diy wooden toy plans for children of all ages and stages with some basic woodworking skills you can easily build a wooden toy if you re a beginner to diy or just not very confident in your woodworking skills plenty of wooden toy plans are perfect for beginners

toymakingplans com wood toy plans for woodworkers - Sep 12 2023

web we design the highest quality original wood toy plans for amateur and professional woodworkers all of our toy plans are instant digital pdf files you download to your computer and easily print to 8 1 2 x 11 or a4 paper

wood toy plans cherry tree toys - Apr 26 2022

web browse wood toy plans from cherry tree toys today get a head start on all of your wood construction toy plans with high quality tools and supplies today

wooden toys plans print ready pdf download instructions photos - Jul 30 2022

web how to make a hand crafted propeller this wooden toy has three moving parts wooden toy train relive the romance of steam from a bygone era with these wooden toy train plans toys for girls wooden toy plans for making toys for girls doll furniture plans dolls house dolls cradle and a selection of doll rocking horses doll furniure plans

10 modern and classic wood toy plans wood it good - May 28 2022

web dec 10 2022 whether it s for fun a birthday or the holidays these wood toy plans can help you figure out what to make for that special little one in your life it s the perfect handmade and personalized touch for your grandkids or little ones

wooden toy plans etsy - Nov 02 2022

web here is a selection of four star and five star reviews from customers who were delighted with the products they found in this category check out our wooden toy plans selection for the very best in unique or custom handmade pieces from our home hobby shops

15 diy wooden toy plans for all time kid favorites - Jun 28 2022

web use our diy wooden toy plans and blueprints to construct these beautiful and fun wood models for children wheeled vehicles like trucks tractors and trains are all time favorite toys for kids with our detailed schematics you can also build a rocking horse a horse swing a nutcracker and a toy wagon

shop all wood toy plans toymakingplans com - Jan 04 2023

web shop all wood toy plans and patterns all of our wood toy plans and patterns are instant digital pdf downloads

toys and joys wooden toy plans patterns wooden toy plans - Mar 06 2023

web toys and joys is a plan and pattern company that provides full size drawings 18 x 24 for making detailed wood models and toys our plans are excellent woodworking projects for the beginner to the advanced woodworker we also provide wheels pegs dowels and other woodworking items for all of your wood projects

over 100 free wooden toy woodcraft plans at allcrafts net - Aug 31 2022

web over 100 free wooden toy woodcraft plans at allcrafts net wooden toys are a joy to make and to give to the lucky child browse our photo gallery of 100 free wooden toys to find your next woodworking project

wood working lloydswoodtoyplans united kingdom - Jul 10 2023

web wooden toy plans patterns models and woodworking projects from lloydswoodtoyplans our plans are excellent woodworking projects for the beginner to the advanced woodworker

plans toys woodworking plans supply by armor crafts - Jan 24 2022

web full size plans to make wooden toys including simple trucks and cars to detailed antique style auto and trains these plans are full size with instructional text to guide you along projects do vary in scope and individual ability is important when undertaking any project remember always safety is the first rule in the shop

40 easy diy wood toys to make for kids diy crafts - Feb 22 2022

web diy wooden toys are not only fun to make but also provide a durable and practical alternative to plastic toys offering children hours of imaginative play with these diy wood toy ideas you can create a variety of toys ranging from simple shapes to

[wooden toy plan etsy](#) - Dec 03 2022

web wooden toy plan cnc files for wood woodworking plans koala toy pattern pdf instant download koala

capítulo 17 el gobierno de dios sobre el universo teología - Aug 24 2022

web capítulo 17 el gobierno de dios sobre el universo dios no es sólo la fuente de la existencia sino que también es el gobernador del universo todas las cosas creadas

el gobierno de dios restored church of god - Sep 24 2022

web el gobierno de dios entendiendo los oficios y deberes por david c pack la iglesia de dios el cuerpo bíblico de cristo no está dividido y es el único lugar donde el

el gobierno de dios conquista cristiana - Oct 06 2023

web oct 5 2018 el gobierno de dios es más que su bendición es orden y una manifestación de lo que dios desea para el hombre en este mundo hay tres fases del gobierno de dios que están representadas en las escrituras por tres comunidades una comunidad es un

35 versículos bíblicos épicos sobre el gobierno autoridad y - Apr 19 2022

web sep 27 2023 citas cristianas sobre el gobierno dios puede obrar y obra en los corazones y las mentes de los gobernantes y funcionarios del gobierno para cumplir

[gobierno bibleinfo com](#) - Jan 29 2023

web debemos obedecer a las autoridades gubernamentales que dios ha establecido está en la biblia romanos 13 1 4 sométase toda persona a las autoridades superiores porque

el gobierno de cristo en nosotros la biblia app bible com - Oct 26 2022

web el gobierno interno de cristo en nosotros es en nuestro espíritu pues dios no nos ha dado espíritu de cobardía sino de poder de amor y de dominio propio cuando la

los gobiernos terrenales y el reino de dios the church of - Nov 14 2021

web los gobiernos terrenales y el reino de dios el presidente brigham young colonizador estadista y primer gobernador de utah honró y sirvió a su gobierno en julio de 1846

el gobierno de dios empieza a regir biblioteca en línea - Jan 17 2022

web 5 este nuevo gobierno del reino recibe su poder y derecho a gobernar del gran rey jehová dios es su reino vez tras vez la biblia lo llama el reino de dios lucas 9 2

el gobierno de dios página jimdo de iglesiaapostolicaunida - Dec 16 2021

web la monarquía es el gobierno de un hombre en lugar de dios monarquía mono uno arquia gobierno el rey exige como dios lealtad absoluta obediencia y tributo pero

el gobierno de dios que traerá paz jw org - May 21 2022

web con el tiempo este hijo de un rey había de llegar a ser un gran gobernante el príncipe de paz el tendría a su cargo un gobierno verdaderamente maravilloso admirable este

55 bible verses about gobierno online bible - Jun 21 2022

web 55 bible verses about gobierno z 55 versículos de la biblia sobre gobierno versículos más relevantes salmos 22 28 versículos conceptos porque del seÑor es el reino y

el gobierno de maduro va contra la oposición previo a la elección - Jan 05 2021

web oct 31 2023 el gobierno de venezuela avanza contra la oposición previo a las elecciones de 2024 la decisión de anular las primarias en las que se eligió a una candidata

los partidos extremistas desbordan por la derecha al gobierno - Apr 07 2021

web 6 hours ago cuando se cumple el primer mes del mayor conflicto armado en israel desde hace medio siglo las maniobras de algunos ministros extremistas han desbordado por la

stc espera la decisión del gobierno sobre telefónica en 2024 - Mar 07 2021

web nov 3 2023 stc espera la decisión del gobierno sobre telefónica en 2024 tras pedir su pláacet el gobierno extenderá al máximo el plazo previsiblemente para tomar una

el obispo munilla tilda de inmoral a sánchez por la amnistía el - Dec 04 2020

web nov 6 2023 munilla ve en la ley de amnistía una forma de sánchez de aferrarse a el poder el poder se convierte en un dios es adictivo el ansia de poder llega a eliminar

vivir la vida cristiana bajo el gobierno de dios living stream - Jul 03 2023

web gobierno de dios 1 p 2 24 1 el gobierno de dios está establecido sobre la justicia sal 89 14a puesto que somos el pueblo de dios que vive sujeto a su gobierno

tema general llevar la vida cristiana bajo el - Jun 02 2023

web i las epístolas de 1 y 2 pedro tratan sobre el gobierno universal de dios a el tema de 1 pedro es la vida cristiana bajo el gobierno de dios lo cual nos muestra el gobierno de

el sacerdocio el gobierno y el poder de dios the church of - Feb 27 2023

web responderé en forma breve es el gobierno de dios ya sea en la tierra o en los cielos porque mediante ese poder influencia o principio todas las cosas son gobernadas en la

gobierno que es concepto y definicion bibliatodo - Mar 19 2022

web 1 m aquel en que todos los poderes se hallan reunidos en una sola persona o cuerpo sin limitación especialmente en un monarca parlamentario 1 m aquel en que los

la soberanía de dios y los gobiernos humanos coalición por el - Jul 23 2022

web may 14 2012 el dios de las escrituras es soberano Él posee derecho pleno sobre todo lo creado incluyendo los gobiernos humanos su soberanía alcanza también a los reyes

apoyo leal y exclusivo al gobierno de dios reino de dios - Feb 15 2022

web 3 después del nacimiento del reino estalló una guerra en el cielo y luego se arrojó a la tierra a satanás lea revelación 12 7 10 12 también en la tierra se había desatado

un documento israelí filtrado propone deportar a 2 millones de - Sep 12 2021

web 1 day ago la publicación the times of israel también ha preguntado sobre el contenido del documento al gobierno y si bien han reconocido la propuesta la oficina del primer

devoción diaria dios y el gobierno romanos 13 1 5 - Aug 04 2023

web dios lo ha traído a existencia considerando la composición de la gente el grado de verdad y la luz que es diseminada entre ellos dios ha traído a existencia un tipo particular de

el papa el clericalismo es una forma de mundanidad que daña - Dec 28 2022

web oct 25 2023 vatican news la tarde de este miércoles 25 de octubre durante la 18 congregación general de la asamblea sinodal se ha llevado a cabo la votación para la

el gobierno de dios que traerá paz biblioteca en línea - Mar 31 2023

web por eso la biblia habla acerca de un gobierno que estará bajo la dirección de dios de hecho el mensaje sobre este gobierno prometido un gobierno por dios es el

muere el exjefe de gobierno de andorra toni martí a los 60 años - Jun 09 2021

web nov 6 2023 andorra la vella andorra 6 europa press el exjefe de gobierno de andorra toni martí ha muerto este lunes por la tarde en el hospital andorrano nostra senyora de

los sindicatos del sector público y el gobierno vasco escenifican - Jul 11 2021

web 7 hours ago el ejecutivo propone negociar sobre cuestiones como la carrera profesional o el relevo generacional pero las centrales consideran que se trata de generalidades y

el gobierno de dios la única esperanza de la humanidad - Nov 26 2022

web isa 46 10 y el deleite de dios es suministrar a los seres humanos un buen gobierno el tema de la biblia 4 5 a cuál es el tema principal de la biblia b cómo se está

visitar estados unidos como turista usagov - Feb 03 2021

web visitar estados unidos como turista obtenga información oficial del gobierno de ee uu sobre solicitud de visa de turista formulario i 94 extensión de estadía en el país

386 versículos de la biblia sobre gobierno bibleportal - May 01 2023

web 386 versículos de la biblia sobre gobierno want to know what the bible says about government here are 386 bible verses about government from the old and new

eclesiástico 10 tla buenos y malos gobernantes el bible - Sep 05 2023

web buenos y malos gobernantes el gobernante sabio educa a su pueblo y organiza bien su gobierno todo pueblo tiene el gobierno que se merece cuando el rey es ignorante

sergio massa aclaró cuándo se dará el aumento del corte de - Nov 02 2020

web 5 hours ago es importante que el sector se sienta a ordenar el decreto con el gobierno y que el día 20 de noviembre terminada la elección salga publicado agregó según el

jon voight respondió a las críticas de su hija angelina infobae - May 09 2021

web 11 hours ago este choque de puntos de vista ocurrió tras los recientes ataques terroristas de hamas que tuvieron lugar el 7 de octubre y que provocaron la muerte de 1 400

bajo la mirada neutral qué efectos tendrán sobre el gobierno - Aug 12 2021

web 2 hours ago que no le vaya a pasar lo que está en la memoria de los colombianos sobre un personaje muy simpático el doctor guillermo león valencia que era un gran

el reino de dios el nuevo gobierno de la tierra - Oct 14 2021

web la profecía de daniel 2 44 declara en los días de aquellos reyes los que ahora gobiernan en la tierra el dios del cielo establecerá un reino un gobierno celestial

linear control system by b s manke pdf - Jul 11 2022

how to download and read linear control systems by b s manke in pdf and rar formats linear control system pdf by b s manke rar linear control systems are a type of

[linear control systems with matlab applications google books](#) - Jul 23 2023

linear control systems a text book for engineering students b s manke khanna 1988 automatic control 402 pages

linear kopykitab - Dec 16 2022

title linear control systems with matlab applications authors b s manke b s edition 8 publisher khanna 2005 isbn

[linear control system by b s manke pdf download](#) - Sep 13 2022

linear control system by b s manke b s in human computer interaction carnegie mellon university jul 20 2020 web b s in hci graduates will be poised to take on strategic roles at

linear control systems b s manke matlab applications - Feb 06 2022

linear control systems b s manke solutions free ebook download as pdf file pdf text file txt or read book online for free

solution for linear control systems by b s manke

how to download and read linear control systems by b s man - May 09 2022

linear control systems b s manke free ebook download as pdf file pdf text file txt or read book online for free a

control system b s manke pdf pdf scribd - Aug 24 2023

linear control systems with matlab applications linear control systems b s manke khanna pub 2012 control theory 740 pages
2 reviews reviews aren't verified but

linear control systems with matlab applications by b s manke - Feb 18 2023

linear control systems with matlab applications b s manke formerly prof of electrical engineering maulana azad national
institute of technology bhopal m p kp

download linear control systems by b s manke pdf - Apr 08 2022

this book published by khanna publishers on linear control systems learn about control system representation and modelling
of control systems and respective mathematics

linear control systems b s manke pdf scribd - Aug 12 2022

title linear control systems publisher place year edition 9th programmer of the book ashish kumar b tech electronics engg
mnnit allahabad college teacher reviewer

linear control systems a text book for engineering students - Jun 22 2023

nov 20 2017 bibtex endnote refman this book covers the theory and mathematics needed to understand the concepts in
control system design chapter 1 deals with compensation

linear control systems b s manke solutions scribd - Dec 04 2021

control system design b s manke google books - Apr 20 2023

read reviews from the world's largest community for readers undefined home my books linear control systems with matlab
applications b s manke published january 1 2012

linear control systems a textbook for engineering students b s - Mar 19 2023

linear control system by b s manke yeah reviewing a book linear control system by b s manke could mount up your near
connections listings this is just one of the solutions for you

linear control system by b s manke pdf uniport edu - Jan 05 2022

linear control system by b s manke i j nagrath - Jan 17 2023

apr 13 2018 7 26 2019 linear control system by b s manke 2 252 book description title linear control systems author b s

manke publisher khanna publishers edition 9

linear control system by b s manke vdocuments mx - Nov 15 2022

feb 6 2017 hey guys i am uploading here ebook on linear control system by b s manke in pdf format this ebook will guide you completely about os i hope you will learn something

linear control systems by b s manke scilab in - Jun 10 2022

real time control systems with delays view pdf linear control system by bs manke bhavnagar university b e sem iv ic ic â 404 digital circuits

linear control systems b s manke pdf control - May 21 2023

linear control systems a textbook for engineering students b s manke download on z library z library download books for free find books

linear control systems b s manke vdocuments mx - Sep 25 2023

control system b s manke pdf free ebook download as pdf file pdf text file txt or read book online for free

linear control systems b s manke pdf matrix - Mar 07 2022

line revelation linear control system by b s manke as capably as review them wherever you are now linear control system analysis and design with matlab sixth edition

linear control systems with matlab applications b s manke - Oct 14 2022

linear control systems b s manke free ebook download as pdf file pdf text file txt or read book online for free