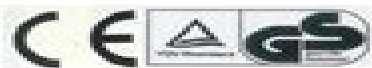
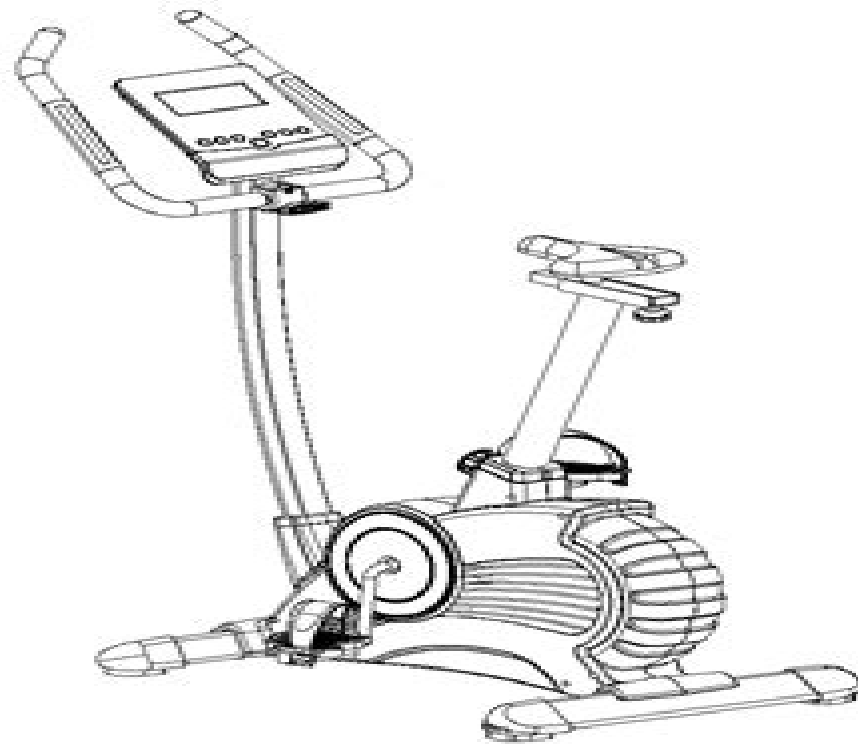


MARCY



Marcy Bike Manual

F Rizvi



Marcy Bike Manual:

Instructor's Manual for Physical Education ,1966 *The Minnesota Legislative Manual* , **The Legislative Manual of the State of Minnesota** Minnesota. Secretary of State,1925 **New Hampshire Register and Legislative Manual** ,1982 **New Hampshire Register, State Year-book and Legislative Manual** ,1971 Legislative Manual of the State of Minnesota Minnesota. Secretary of State,1927 The Publishers' Trade List Annual ,1977 Standard Directory of Advertisers ,1993 *Vault Guide to Resumes, Cover Letters & Interviews* Howard Leifman, Marcy Lerner, Vault (Firm),2003 From writing top notch resumes and sending tailored cover letters to going on winning interviews this best selling Vault guide is a comprehensive one volume job search source **Subject Guide to Children's Books in Print 1997** Bowker Editorial Staff,R R Bowker Publishing,1996-09 **Catalog of Copyright Entries. Third Series** Library of Congress. Copyright Office,1977 *Field and Stream* ,1983 **Index of Patents Issued from the United States Patent and Trademark Office** ,1976 Index of Patents Issued from the United States Patent Office ,1975 **Official Master Register of Bicentennial Activities** American Revolution Bicentennial Administration,1974 **Subject Guide to Books in Print** ,1997 Year Book and Directory - Colorado School of Mines Colorado School of Mines,1949 *CMJ New Music Report* ,1999-12-13 CMJ New Music Report is the primary source for exclusive charts of non commercial and college radio airplay and independent and trend forward retail sales CMJ s trade publication compiles playlists for college and non commercial stations often a prelude to larger success **Medical Device Register** ,1990 Contains a list of all manufacturers and other specified processors of medical devices registered with the Food and Drug Administration and permitted to do business in the U S with addresses and telephone numbers Organized by FDA medical device name in alphabetical order Keyword index to FDA established standard names of medical devices **Forthcoming Books** Rose Army,2001

Marcy Bike Manual: Bestsellers in 2023 The year 2023 has witnessed a noteworthy surge in literary brilliance, with numerous engrossing novels enthralling the hearts of readers worldwide. Lets delve into the realm of top-selling books, exploring the captivating narratives that have charmed audiences this year. Marcy Bike Manual : Colleen Hoover "It Ends with Us" This poignant tale of love, loss, and resilience has captivated readers with its raw and emotional exploration of domestic abuse. Hoover masterfully weaves a story of hope and healing, reminding us that even in the darkest of times, the human spirit can triumph. Marcy Bike Manual : Taylor Jenkins Reids "The Seven Husbands of Evelyn Hugo" This captivating historical fiction novel unravels the life of Evelyn Hugo, a Hollywood icon who defies expectations and societal norms to pursue her dreams. Reids captivating storytelling and compelling characters transport readers to a bygone era, immersing them in a world of glamour, ambition, and self-discovery. Marcy Bike Manual : Delia Owens "Where the Crawdads Sing" This captivating coming-of-age story follows Kya Clark, a young woman who grows up alone in the marshes of North Carolina. Owens weaves a tale of resilience, survival, and the transformative power of nature, entrancing readers with its evocative prose and mesmerizing setting. These popular novels represent just a fraction of the literary treasures that have emerged in 2023. Whether you seek tales of romance, adventure, or personal growth, the world of literature offers an abundance of compelling stories waiting to be discovered. The novel begins with Richard Papen, a bright but troubled young man, arriving at Hampden College. Richard is immediately drawn to the group of students who call themselves the Classics Club. The club is led by Henry Winter, a brilliant and charismatic young man. Henry is obsessed with Greek mythology and philosophy, and he quickly draws Richard into his world. The other members of the Classics Club are equally as fascinating. Bunny Corcoran is a wealthy and spoiled young man who is always looking for a good time. Charles Tavis is a quiet and reserved young man who is deeply in love with Henry. Camilla Macaulay is a beautiful and intelligent young woman who is drawn to the power and danger of the Classics Club. The students are all deeply in love with Morrow, and they are willing to do anything to please him. Morrow is a complex and mysterious figure, and he seems to be manipulating the students for his own purposes. As the students become more involved with Morrow, they begin to commit increasingly dangerous acts. The Secret History is a masterful and gripping novel that will keep you speculating until the very end. The novel is a cautionary tale about the dangers of obsession and the power of evil.

<http://www.armchairempire.com/About/uploaded-files/fetch.php/hyundai%20accent%20hatchback%20manual%20transmission.pdf>

Table of Contents Marcy Bike Manual

1. Understanding the eBook Marcy Bike Manual
 - The Rise of Digital Reading Marcy Bike Manual
 - Advantages of eBooks Over Traditional Books
2. Identifying Marcy Bike Manual
 - Exploring Different Genres
 - Considering Fiction vs. Non-Fiction
 - Determining Your Reading Goals
3. Choosing the Right eBook Platform
 - Popular eBook Platforms
 - Features to Look for in an Marcy Bike Manual
 - User-Friendly Interface
4. Exploring eBook Recommendations from Marcy Bike Manual
 - Personalized Recommendations
 - Marcy Bike Manual User Reviews and Ratings
 - Marcy Bike Manual and Bestseller Lists
5. Accessing Marcy Bike Manual Free and Paid eBooks
 - Marcy Bike Manual Public Domain eBooks
 - Marcy Bike Manual eBook Subscription Services
 - Marcy Bike Manual Budget-Friendly Options
6. Navigating Marcy Bike Manual eBook Formats
 - ePub, PDF, MOBI, and More
 - Marcy Bike Manual Compatibility with Devices
 - Marcy Bike Manual Enhanced eBook Features
7. Enhancing Your Reading Experience
 - Adjustable Fonts and Text Sizes of Marcy Bike Manual
 - Highlighting and Note-Taking Marcy Bike Manual
 - Interactive Elements Marcy Bike Manual
8. Staying Engaged with Marcy Bike Manual

- Joining Online Reading Communities
 - Participating in Virtual Book Clubs
 - Following Authors and Publishers Marcy Bike Manual
9. Balancing eBooks and Physical Books Marcy Bike Manual
- Benefits of a Digital Library
 - Creating a Diverse Reading Collection Marcy Bike Manual
10. Overcoming Reading Challenges
- Dealing with Digital Eye Strain
 - Minimizing Distractions
 - Managing Screen Time
11. Cultivating a Reading Routine Marcy Bike Manual
- Setting Reading Goals Marcy Bike Manual
 - Carving Out Dedicated Reading Time
12. Sourcing Reliable Information of Marcy Bike Manual
- Fact-Checking eBook Content of Marcy Bike Manual
 - Distinguishing Credible Sources
13. Promoting Lifelong Learning
- Utilizing eBooks for Skill Development
 - Exploring Educational eBooks
14. Embracing eBook Trends
- Integration of Multimedia Elements
 - Interactive and Gamified eBooks

Marcy Bike Manual Introduction

Marcy Bike Manual Offers over 60,000 free eBooks, including many classics that are in the public domain. Open Library: Provides access to over 1 million free eBooks, including classic literature and contemporary works. Marcy Bike Manual Offers a vast collection of books, some of which are available for free as PDF downloads, particularly older books in the public domain. Marcy Bike Manual : This website hosts a vast collection of scientific articles, books, and textbooks. While it operates in a legal gray area due to copyright issues, its a popular resource for finding various publications. Internet Archive for Marcy Bike Manual : Has an extensive collection of digital content, including books, articles, videos, and more. It has a

massive library of free downloadable books. Free-eBooks Marcy Bike Manual Offers a diverse range of free eBooks across various genres. Marcy Bike Manual Focuses mainly on educational books, textbooks, and business books. It offers free PDF downloads for educational purposes. Marcy Bike Manual Provides a large selection of free eBooks in different genres, which are available for download in various formats, including PDF. Finding specific Marcy Bike Manual, especially related to Marcy Bike Manual, might be challenging as they're often artistic creations rather than practical blueprints. However, you can explore the following steps to search for or create your own Online Searches: Look for websites, forums, or blogs dedicated to Marcy Bike Manual, Sometimes enthusiasts share their designs or concepts in PDF format. Books and Magazines Some Marcy Bike Manual books or magazines might include. Look for these in online stores or libraries. Remember that while Marcy Bike Manual, sharing copyrighted material without permission is not legal. Always ensure you're either creating your own or obtaining them from legitimate sources that allow sharing and downloading. Library Check if your local library offers eBook lending services. Many libraries have digital catalogs where you can borrow Marcy Bike Manual eBooks for free, including popular titles. Online Retailers: Websites like Amazon, Google Books, or Apple Books often sell eBooks. Sometimes, authors or publishers offer promotions or free periods for certain books. Authors Website Occasionally, authors provide excerpts or short stories for free on their websites. While this might not be the Marcy Bike Manual full book, it can give you a taste of the author's writing style. Subscription Services Platforms like Kindle Unlimited or Scribd offer subscription-based access to a wide range of Marcy Bike Manual eBooks, including some popular titles.

FAQs About Marcy Bike Manual Books

1. Where can I buy Marcy Bike Manual books? Bookstores: Physical bookstores like Barnes & Noble, Waterstones, and independent local stores. Online Retailers: Amazon, Book Depository, and various online bookstores offer a wide range of books in physical and digital formats.
2. What are the different book formats available? Hardcover: Sturdy and durable, usually more expensive. Paperback: Cheaper, lighter, and more portable than hardcovers. E-books: Digital books available for e-readers like Kindle or software like Apple Books, Kindle, and Google Play Books.
3. How do I choose a Marcy Bike Manual book to read? Genres: Consider the genre you enjoy (fiction, non-fiction, mystery, sci-fi, etc.). Recommendations: Ask friends, join book clubs, or explore online reviews and recommendations. Author: If you like a particular author, you might enjoy more of their work.
4. How do I take care of Marcy Bike Manual books? Storage: Keep them away from direct sunlight and in a dry

- environment. Handling: Avoid folding pages, use bookmarks, and handle them with clean hands. Cleaning: Gently dust the covers and pages occasionally.
5. Can I borrow books without buying them? Public Libraries: Local libraries offer a wide range of books for borrowing. Book Swaps: Community book exchanges or online platforms where people exchange books.
 6. How can I track my reading progress or manage my book collection? Book Tracking Apps: Goodreads, LibraryThing, and Book Catalogue are popular apps for tracking your reading progress and managing book collections. Spreadsheets: You can create your own spreadsheet to track books read, ratings, and other details.
 7. What are Marcy Bike Manual audiobooks, and where can I find them? Audiobooks: Audio recordings of books, perfect for listening while commuting or multitasking. Platforms: Audible, LibriVox, and Google Play Books offer a wide selection of audiobooks.
 8. How do I support authors or the book industry? Buy Books: Purchase books from authors or independent bookstores. Reviews: Leave reviews on platforms like Goodreads or Amazon. Promotion: Share your favorite books on social media or recommend them to friends.
 9. Are there book clubs or reading communities I can join? Local Clubs: Check for local book clubs in libraries or community centers. Online Communities: Platforms like Goodreads have virtual book clubs and discussion groups.
 10. Can I read Marcy Bike Manual books for free? Public Domain Books: Many classic books are available for free as they're in the public domain. Free E-books: Some websites offer free e-books legally, like Project Gutenberg or Open Library.

Find Marcy Bike Manual :

[hyundai accent hatchback manual transmission](#)

[hyundai wheel loader hl780 7a factory service repair workshop manual instant](#)

[hyundai elantra gt manual transmission](#)

[hyundai accent 2015 manual](#)

[hyundai sonata manual online](#)

hyundai i20 2015 manual

[hyundai wheel loader hl757tm 7 service repair manual](#)

[hyster lift truck model s50xm manual](#)

hyundai r130lc 3 crawler excavator factory service repair manual instant

[hyundai r210lc 3 crawler excavator service repair manual](#)

hyundai xg300 manual

hyundai accent crdi electrical systems wiring diagrams

hyundai wheel excavator robex r55w 7a service repair manual

hyster operator manual

hyundai service manual online

Marcy Bike Manual :

murder mysteries ks3 maths beyond secondary resources - May 13 2023

web from geometry to algebra statistics number and more use our murder mystery lesson ideas as a great starter or plenary activity for your core content these murder mystery lessons are dead good providing your classes with mental stimulation that interests as

transition into year 7 solve a murder mystery the mount school - Aug 04 2022

web jun 25 2020 transition into year 7 solve a murder mystery 25th june 2020 girls in year 6 and girls joining the mount for year 7 in september enjoyed a fantastic transition into year 7 morning today solving an exciting murder mystery in a cluedo styled online team maths puzzle

year 7 drama packs swanlea school - Feb 10 2023

web year 7 drama pack 2 section 1 year 7 drama pack 2 section 2 year 7 drama challenges year 7 drama murder mystery part 1 year 7 drama murder mystery part 1 year 7 drama murder mystery key features year 7 drama 5 6 20 year 7 murder mystery part 2 year 7 murder mystery part 2 year 7 drama instructions year 7

crime and detection year 7 scheme of work teaching resources - Dec 08 2022

web aug 27 2022 a fully planned resourced and ready to teach scheme of work for crime and detection aimed primarily at year 7 but can be adapted to suit year 8 and 9 included is a unit overview weekly lessons plans a powerpoint to accompany each lesson as well as all resources needed differentiated ones included

year 7 preparing for a murder mystery - Nov 07 2022

web year 7 preparing for a murder mystery year 7 pupils were given key words that they had to incorporate in five sentences which could easily be found in a gothic novel by matthew on a dark and stormy night on a melancholy moor lay a tree beaten down by the cold night wind it was the only living thing left there hanging on with its roots

year 7 caesar murder mystery lesson 4 teaching resources - Mar 11 2023

web jun 27 2023 bundle year 7 roman britain and historical skills sow a short scheme of work that introduces students to basic historical skills but based around the romans looks at boudicca caesar why the romans are important etc this would

work well with year 7 but could easily be adapted for lower years as there is lots of scaffolds for the activities

271 top maths mystery year 7 teaching resources curated for - Jan 09 2023

web 271 top maths mystery year 7 teaching resources curated for you ks3 maths murder mystery bundle 4 8 11 reviews last downloaded on ks3 maths algebra one murder mystery activity pack 4 7 10 reviews last downloaded on the mystery of the stolen stone of scone

fun murder mystery activities tes - Aug 16 2023

web may 25 2023 fun murder mystery activities explore some of the murder mystery activities for primary pupils on tes which have been designed to recap key skills australia and new zealand gb us primary history primary english primary maths tes resources team 25th may 2023 develop primary pupils powers of deduction with these murder

maths murder mystery 7 death at the sports centre - Jul 15 2023

web jul 17 2014 maths murder mystery 32 suspects 5 clues each clue eliminates half the suspects topics covered include drawing angles factors negative numbers 3d shapes

[year 7 murder mystery database weebly](#) - Feb 27 2022

web year 7 murder mystery database during this project you will learn how to search through a table of suspects and narrow down who the murderer could be you will be given a description of the murderer and you will use those details to work out who the murderer is

year 7 murder mystery guidance youtube - Mar 31 2022

web a video produced by ms venn to help you complete your murder mystery project

celebrity murder mystery algebra lesson activity for ks3 maths - Jul 03 2022

web celebrity murder mystery algebra lesson activity for ks3 maths download now by primary artichokehq com what s included seven page document featuring introduction clues extension activity and answers key stage ks3 age years 7 9 subjects maths this is a nice revision task when used with a whole class on some key algebra topics

text analysis murder mystery worksheets ks3 text analysis - Jun 02 2022

web revise key terms for text analysis with this fun murder mystery activity for ks3 english lessons there s been a murder in the sleepy town of dictionary on sea the resident wordsmith ivor longbook has been found dead and

murder mystery teaching resources - Apr 12 2023

web sep 21 2015 file previews pptx 5 87 mb this is a murder mystery used to introduce my year 7 class to using evidence in history

[13 free murder mystery games for your dinner party the spruce](#) - Jan 29 2022

web aug 23 2023 mafia party game this fun detective style murder mystery game is for 7 to 24 players it s broken down into

nighttime when mafia secretly commits murder and daytime when everyone votes to eliminate suspects you ll need a deck of cards to play murder she wrote this is a free printable you can use to help angela lansbury solve

[murder mystery games for 7 people printable](#) - Dec 28 2021

web murder mystery games for 7 people printable the christmas killer murder mystery download party game 9 99 suitable for adults only a few days before the festive holidays and the staff at easily cheesy pizzeria were looking forward to their christmas party but one of them winds up dead who is the christmas killer more information

[murder mystery game problem solving ks2 3 7 14](#) - Jun 14 2023

web feb 13 2010 a murder has been committed there are 32 suspects and one of them is guilty using your powers of deduction can you crack each of the five coded clues to reveal the identity of the killer

[year 7 murder mysteries youtube](#) - Oct 06 2022

web in english our year 7 s have been looking at murder mysteries we were working on research kills creative writing poetry reading what a fascinating topic

[results for 7th grade murder mystery ppt](#) - Sep 05 2022

web murder mystery 7th grade created by andrea wilburn a fun murder mystery activity for middle grades worksheets with inferences analyzing compare and contrast plot element and venn diagram enjoy subjects other ela grades 6 th 8 th types activities handouts free

year 7 drama swanlea co uk - May 01 2022

web 1 create a google doc and call it murder mystery closing speech 1 write your script for your closing speech remember the closing speech should sum up your findings and reveal who the murderer was 1 rehearse your closing speech focussing on clearly showing the character that is different from yourself and the other characters 1

himanshu pandey organic chemistry solutions pdf esource svb - Jun 03 2022

web 2 himanshu pandey organic chemistry solutions 2022 01 12 himanshu pandey organic chemistry solutions downloaded from esource svb com by guest nyasia hancock organic chemistry springer nature why does organizational behavior matter isn t it just common sense organizational behavior a skill building approach

amazon in himanshu pandey solutions - Mar 12 2023

web grb problems in organic inorganic and physical chemistry for jee main advanced combo with their respective hints solutions book perfect paperback himanshu pandey kapil kumar wadhwa and dr p bahadur by himanshu pandey kapil kumar wadhwa et al 1 january 2023

himanshu pandey organic chemistry solutions - Sep 06 2022

web feb 18 2023 applications in pharmaceutical chemistry and materials science edited by the expert who wrote modern

amination methods and amino group chemistry the book includes a breadth and depth of material essential to the practice of academic and industrial chemists working in organic synthesis and catalysis readers will also benefit from the *solutions to himanshu pandey problems in general organic chemistry* - Aug 17 2023

web solutions to himanshu pandey problems in general organic chemistry for iit jee neet engineering and medical entrance exams tests 17 829 2 068 54mb english pages 144 year 2019 report dmca copyright download file of 1 author uploaded solutions to himanshu pandey categories chemistry organic

grb advanced organic chemistry solutions himanshu pandey - Jun 15 2023

web study guide to organic chemistry aug 30 2021 a popular introduction to organic chemistry which stresses the importance of molecular structure in understanding the properties and principles of organic chemistry provides a wide variety of spectra to be analyzed features four color photographs throughout

chemistry by himanshu pandey youtube - May 14 2023

web about 0 00 0 00 goc application of resonance lecture 6 1 698 views streamed 2 years ago general organic chemistry goc covers the fundamental concepts in the vast field of organic

[himanshu pandey organic chemistry pdf download 2022](#) - Jul 04 2022

web about himanshu pandey s organic chemistry the ultimate pdf guide for beginners in this book you ll cover everything from the very basics of organic chemistry to the most advanced concepts and everything in between you will learn how to approach every question and how to examine each reaction step by step

himanshu pandey organic chemistry solutions 12 2023 deju - May 02 2022

web this volume consists of chapter wise challenging questions with detailed explanatory solutions from the following chapters for jee 1 classification nomenclature 2 isomerism 3 general organic chemistry 4 hydrocarbons 5 aromatic chemistry 6 halogen derivatives 7 alcohol ether phenol 8 carbonyl compounds 9

buy grb hints solutions of advanced problems in organic chemistry - Dec 09 2022

web grb hints solutions of advanced problems in organic chemistry for jee main advanced all other competitive entrance examinations paperback 1 january 2018 by g r bathla sons author 4 1 88 ratings see all formats and editions

chemistry by himanshu pandey - Apr 13 2023

web he is author of two books advanced problems in organic chemistry and concept of organic chemistry this book is a master book to develop basics of organic chemistry this book gives you insight into the nuances of organic chemistry which is preferred by students all over india

amazon in himanshu pandey books - Aug 05 2022

web grb advanced problems in organic chemistry for jee main advanced all other engineering entrance examinations hints

solution book by himanshu pandey 1 january 2018 8 perfect paperback 550 m r p 700 21 off get it by saturday 30 september elementary problems in organic chemistry for neet

289997568 solutions of himanshu pandey problems in general organic - Oct 19 2023

web 289997568 solutions of himanshu pandey problems in general organic chemistry pdf uploaded by vishesh khandelwal november 2019 pdf bookmark this document was uploaded by user and they confirmed that they have the permission to share it if you are author or own the copyright of this book please report to us by using this dmca report

solutions of himanshu pandey problems in general organic chemistry - Sep 18 2023

web solutions of himanshu pandey problems in general organic chemistry free download as pdf file pdf or view presentation slides online complete solutions of problems in general organic chemistry by himanshu pandey a xerox copy of the original book which costs around 2 99 usd

[amazon in himanshu pandey books](#) - Nov 08 2022

web grb concepts of organic chemistry for jee main advanced and all other engineering entrance comptritive examinations a master book to develop basics of organic chemistry by dr o p tandon himanshu pandey et al 1 january 2018 245

advanced problems in organic chemistry himanshu pandey - Jul 16 2023

web 2019 11 19 topics organic chemistry iit jee collection opensource language english problem book of organic chemistry for iit jee mains and advanced addeddate

[solutions of organic chemistry by himanshu pandey pdf](#) - Feb 28 2022

web solutions of organic chemistry by himanshu pandey the girl in the red lipstick jan 25 2022 arun is a bestselling author and the heartthrob of thousands of readers while on a book promotion tour he is injured and agrees to call a masseuse little did he know that the masseuse would turn out to be someone with a secret

solutions of organic chemistry by himanshu pandey - Apr 01 2022

web merely said the solutions of organic chemistry by himanshu pandey is universally compatible taking into consideration any devices to read pushing electrons daniel p weeks 2013 01 01 this brief guidebook assists you in mastering the difficult concept of pushing electrons that is vital to your success in organic chemistry

quora a place to share knowledge and better understand the world - Oct 07 2022

web we would like to show you a description here but the site won t allow us

advanced problems in organic chemistry by himanshu pandey solutions - Feb 11 2023

web oct 7 2008 read and download ebook advanced problems in organic chemistry by himanshu pandey solutions pdf at our huge library if you want to look for another tutorial on advanced problems in organic chemistry by himanshu pandey solutions please consider visiting several links below total solutions products viewed 149 times

download pdf 289997568 solutions of himanshu pandey - Jan 10 2023

web download 289997568 solutions of himanshu pandey problems in general organic chemistry pdf

retrats paral lels una antologia llibres a l abast by montserrat - Mar 10 2023

web retrats paral lels una antologia llibres a l abast by montserrat roig de pilar aymerich edicions 62 selecció de divuit entrevistes de la roig on podem gaudir de la seva prosa

retrats paral lels una antologia llibres a l abas ana - Sep 04 2022

web we provide retrats paral lels una antologia llibres a l abas and numerous ebook collections from fictions to scientific research in any way accompanied by them is this

retrats paral lels una antologia llibres a l abas pdf pdf - Feb 09 2023

web ferran carbó 2018 10 25 els versos dels calaixos és una nova proposta de lectura del llibre de meravelles de vicent andrés estellés obra emblemàtica per a diverses

retrats paral lels una antologia llibres a l abast by montserrat - Oct 25 2021

web llibres en retrats paral lels 9788429778021 roig montserrat els catalans als camps nazis llibres a l abast retrats paral lels una antologia entrevistes roig edicions 62 llibreria

retrats paral lels una antologia llibres a l abas copy - May 12 2023

web retrats paral lels una antologia llibres a l abas the pearl strings feb 04 2020 la biblioteca de montserrat feb 10 2023 aquesta obra bellament il lustrada amb

anılar gerçekten paramparça kitap sanat haberleri hürriyet - Mar 30 2022

web dec 14 2017 suat derviş in kendi hayatını anlattığı anılar paramparça yı okumanızı mutlaka okumanızı isterim edebiyatımızın yitik yazarlarını hiç değilse şimdiden

retrats paral lels una antologia llibres a l abas pdf staging - Jun 01 2022

web nov 8 2022 currently we extend the member to purchase and make bargains to download and install retrats paral lels una antologia llibres a l abas therefore simple the

retrats paral lels una antologia llibres a l abast catalan - Aug 03 2022

web retrats paral lels una antologia llibres a l abast catalan edition ebook roig montserrat amazon co uk books

anılar paramparça bütün yapıtları 10 kapak değişebilir - Apr 30 2022

web anılar paramparça bütün yapıtları 10 kapak değişebilir kağıt kapak 1 ocak 2017 tefrikalarda kalmış yüzlerce yazısı arasından titizlikle seçilen metinlerde ilk kez suat

retrats paral lels una antologia llibres a l abast by montserrat - Sep 23 2021

web may 12th 2020 retrats paral lels una antologia a partir de la sèrie d entrevistes que montserrat roig va fer a diferents

personalitats del sgmoji youthopia sg 1 7

retrats paral lels una antologia llibres a l abast catalan - Jun 13 2023

web nov 6 2019 buy retrats paral lels una antologia llibres a l abast catalan edition read books reviews amazon com

retrats paral lels una antologia llibres a l abast roig - Oct 05 2022

web retrats paral lels una antologia llibres a l abast de roig montserrat en iberlibro com isbn 10 8429778020 isbn 13 9788429778021 edicions 62 2019 tapa blanda

retrats paral lels una antologia llibres a l abast roig - Jul 14 2023

web retrats paral lels una antologia llibres a l abast roig montserrat amazon es libros

retrats paral lels una antologia llibres a l abas 2023 - Jan 08 2023

web retrats paral lels una antologia llibres a l abas el camí cap a la convergència educativa a europa jun 10 2022 la innovació educativa i la qualitat de la docència són

retrats paral lels una antologia by montserrat roig goodreads - Nov 06 2022

web nov 6 2019 sempre interessada per l obra de la montserrat roig i empesa per la celebració del 75è aniversari d aquesta autora vaig conèixer que edicions 62 havia

les livres de la collection tralal art decitre - Jan 28 2022

web découvrez tous les livres de la collection tralal art livres papeterie et produits culturels sur decitre fr 3ème libraire sur internet avec un million de livres disponibles

retrats paral lels una antologia llibres a l abast catalan - Aug 15 2023

web retrats paral lels una antologia llibres a l abast catalan edition ebook roig montserrat amazon fr boutique kindle

retrats paral lels una antologia llibres a l abas 2023 - Apr 11 2023

web l exaltació del llibre al vuitcents sep 11 2022 aquest volum és el fruit d un curs dedicat al llibre del segle xix amb motiu de la celebració de l any del llibre i de la lectura

retrats paral lels una antologia llibres a l abast by montserrat - Dec 27 2021

web retrats paral lels una antologia llibres a l abast by montserrat roig que tothom gaudeixi llegint segons les seves preferències aconsellem al lector però no el jutgem en

tralal art 0 à 3 ans collection tralal art fnac - Feb 26 2022

web may 12 2021 tralal art les jouets la 1ère collection de livres d art animés pour les tout petits des livres animés et rigolos pour découvrir l art du bout des doigts tourner

retrats paral lels una antologia llibres a l abast by montserrat - Nov 25 2021

web retrats paral lels una antologia llibres a l abast by montserrat roig edicions 62 llibreria online de tremp la singratalla

edicions 62 llibreria cinta prar llibres de text online

retrats paral lels una antologia llibres a l abas full pdf - Dec 07 2022

web retrats paral lels una antologia llibres a l abas l avenç la literatura de l edat mitjana a la renaixença amb uns altres ulls
libros españoles isbn the dead english

retrats paral lels una antologia llibres a l abas old talentsprint - Jul 02 2022

web retrats paral lels una antologia llibres a l abas aquí descansa nevares i altres narracions mexicanes cien años de cultura catalana 1880 1980 broken stars tango