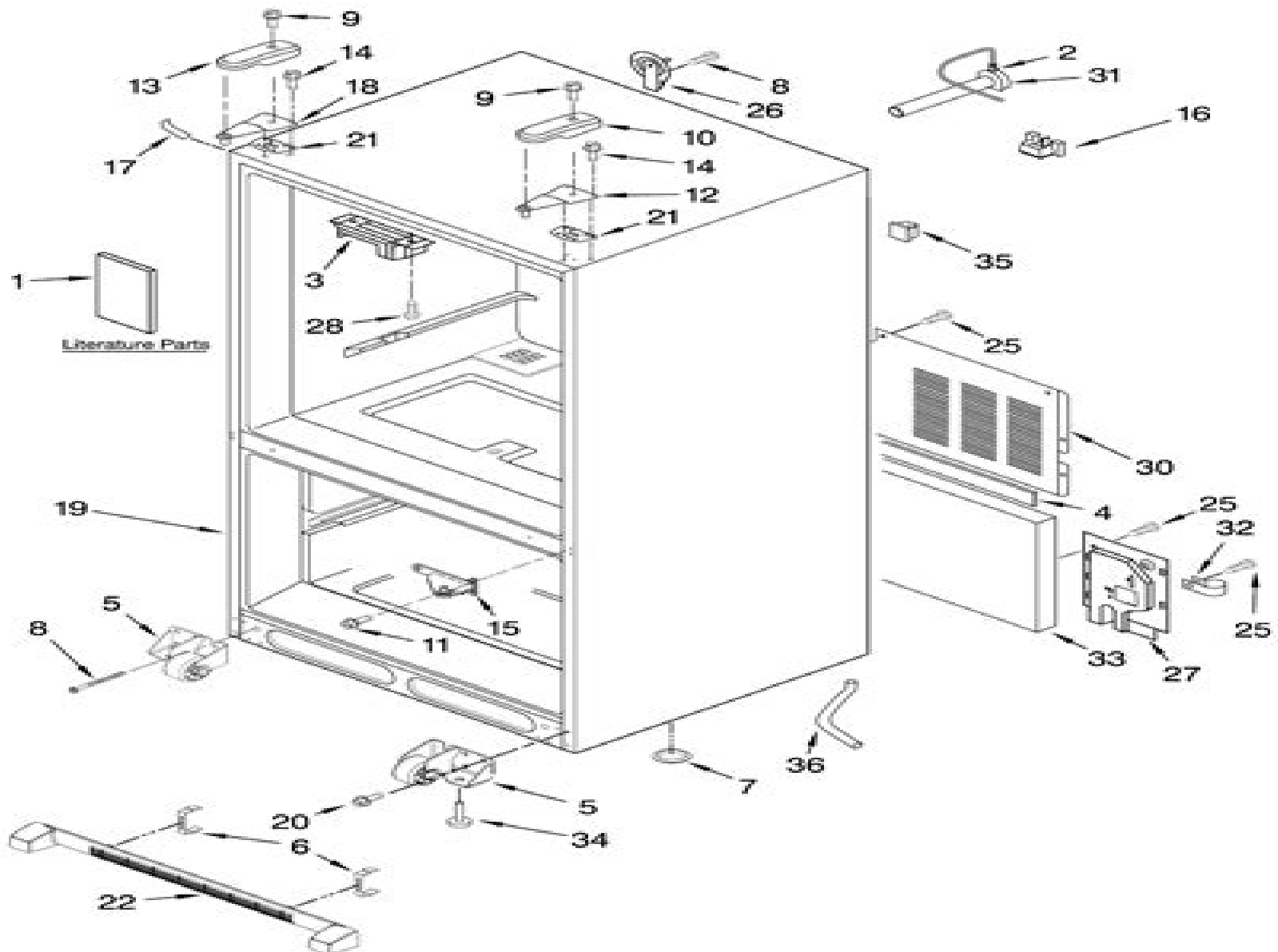


# KitchenAid.



FOR ORDERING INFORMATION REFER TO PARTS PRICE LIST

# Kitchenaid Kbfs20etss01 Manual

**Hobart Manufacturing Company.  
KitchenAid Home Dishwasher  
Division, KitchenAid**

## **Kitchenaid Kbfs20etss01 Manual:**

[KitchenAid Mixers and Attachments](#) KitchenAid, Inc,1980     [KitchenAid Stand Mixer Instructions and Recipes](#)  
KitchenAid, Inc,1997     **KitchenAid 7 Speed Ultra Power "soft Start" Mixer Instructions** KitchenAid, Inc,1985  
[KitchenAid Electric Housewares](#) ,1960\*     **Service Manual, KitchenAid KD-17 Series, Automatic Dishwashers**  
,1974     **KitchenAid Mixers and Attachments** KitchenAid Portable Appliances,1992     [Meet KitchenAid, the Finest](#)  
[Made](#) ,1944     **KitchenAid Food Preparers and Attachments** Hobart Corporation. KitchenAid Division,199?     **Kitchen**  
**Aid Model K4-B** Hobart Manufacturing Company (Troy, Ohio). KitchenAid Division,1947\*     **KitchenAid 5 & 6 Quart**  
**Stand Mixer** ,2003     *You and KitchenAid Automatic Dishwasher* Hobart Manufacturing Company. KitchenAid Home  
Dishwasher Division,KitchenAid,1945     **KitchenAid Golden Anniversary** ,1965     **KitchenAid Model 3C** Hobart  
Manufacturing Company (Troy, Ohio). KitchenAid Electric Housewares Division,195?     [KitchenAid Automatic Dishwasher--](#)  
[by Hobart](#) Hobart Corporation. KitchenAid Division,1957     **KitchenAid Food Preparer** ,19??     *Instructions and recipes*  
*for your KitchenAid stand mixer* ,2010     **KitchenAid** Hobart Manufacturing Company (Troy, Ohio). KitchenAid Electric  
Housewares Division,1965     **KitchenAid Stand Mixer Handbook** Gaius Millwood,2024-12-06 The KitchenAid Stand  
Mixer is the must have appliance for any home cook or professional baker Known for its durability and powerful performance  
this versatile machine can tackle a wide range of kitchen tasks from whipping light cream to kneading dense bread dough  
Built with a strong motor and sturdy design it ensures stable operation even with the heaviest mixtures providing consistent  
professional results every time With its iconic planetary mixing action the KitchenAid Stand Mixer blends ingredients  
thoroughly and uniformly making it easier than ever to create everything from delicate batters to thick doughs Available in a  
variety of sizes and capacities ranging from compact models to the larger Bowl Lift options there s a perfect fit for every  
kitchen space and cooking need The multiple speed settings allow precise control giving you the ability to achieve your  
desired textures and consistency Whether you re mixing whipping or kneading the included attachments such as the flat  
beater wire whip and dough hook ensure that you can handle any recipe with ease Plus the power hub opens the door to  
countless additional accessories from pasta makers to food grinders allowing you to take your cooking and baking to new  
heights This stand mixer is designed to simplify your kitchen tasks making it easy to experiment with new recipes while  
ensuring consistent high quality results Even beginners can quickly master this appliance thanks to its user friendly design  
and reliability Inside this guide you ll discover What the KitchenAid Stand Mixer is and how it works How to use your stand  
mixer like a pro Key features and benefits of this powerful appliance An in depth look at the KitchenAid Stand Mixer s speed  
settings Delicious bread recipes like Classic White and Whole Wheat Bread Zucchini Loaf and other flavorful baked goods  
Decadent Chocolate Chip and Oatmeal Raisin Cookie Recipes Specialty cookies including Biscotti and Macarons Chiffon and  
Chocolate Cakes for every occasion Homemade Ice Cream and Fresh Pasta Recipes Easy to make Hummus Guacamole and

Salsa Classic Buttercream Cream Cheese Frosting and Ganache recipes and so much more Whether you re baking mixing or exploring new culinary adventures the KitchenAid Stand Mixer is the perfect tool to elevate your kitchen skills Make every meal and dessert an exciting culinary journey get your KitchenAid Stand Mixer today and start creating delicious effortless masterpieces **KitchenAid Stand Mixer** ,2001 *KitchenAid* KitchenAid, Inc,1990\*

This is likewise one of the factors by obtaining the soft documents of this **Kitchenaid Kbfs20etss01 Manual** by online. You might not require more period to spend to go to the books commencement as with ease as search for them. In some cases, you likewise pull off not discover the statement Kitchenaid Kbfs20etss01 Manual that you are looking for. It will completely squander the time.

However below, later you visit this web page, it will be as a result definitely simple to acquire as without difficulty as download guide Kitchenaid Kbfs20etss01 Manual

It will not consent many period as we run by before. You can complete it while feat something else at house and even in your workplace. suitably easy! So, are you question? Just exercise just what we find the money for below as competently as review **Kitchenaid Kbfs20etss01 Manual** what you later to read!

[http://www.armchairempire.com/files/scholarship/fetch.php/maximum\\_healing\\_optimize\\_your\\_natural\\_ability\\_to\\_heal.pdf](http://www.armchairempire.com/files/scholarship/fetch.php/maximum_healing_optimize_your_natural_ability_to_heal.pdf)

## **Table of Contents Kitchenaid Kbfs20etss01 Manual**

1. Understanding the eBook Kitchenaid Kbfs20etss01 Manual
  - The Rise of Digital Reading Kitchenaid Kbfs20etss01 Manual
  - Advantages of eBooks Over Traditional Books
2. Identifying Kitchenaid Kbfs20etss01 Manual
  - Exploring Different Genres
  - Considering Fiction vs. Non-Fiction
  - Determining Your Reading Goals
3. Choosing the Right eBook Platform
  - Popular eBook Platforms
  - Features to Look for in an Kitchenaid Kbfs20etss01 Manual
  - User-Friendly Interface
4. Exploring eBook Recommendations from Kitchenaid Kbfs20etss01 Manual

- Personalized Recommendations
  - Kitchenaid Kbfs20etss01 Manual User Reviews and Ratings
  - Kitchenaid Kbfs20etss01 Manual and Bestseller Lists
5. Accessing Kitchenaid Kbfs20etss01 Manual Free and Paid eBooks
    - Kitchenaid Kbfs20etss01 Manual Public Domain eBooks
    - Kitchenaid Kbfs20etss01 Manual eBook Subscription Services
    - Kitchenaid Kbfs20etss01 Manual Budget-Friendly Options
  6. Navigating Kitchenaid Kbfs20etss01 Manual eBook Formats
    - ePub, PDF, MOBI, and More
    - Kitchenaid Kbfs20etss01 Manual Compatibility with Devices
    - Kitchenaid Kbfs20etss01 Manual Enhanced eBook Features
  7. Enhancing Your Reading Experience
    - Adjustable Fonts and Text Sizes of Kitchenaid Kbfs20etss01 Manual
    - Highlighting and Note-Taking Kitchenaid Kbfs20etss01 Manual
    - Interactive Elements Kitchenaid Kbfs20etss01 Manual
  8. Staying Engaged with Kitchenaid Kbfs20etss01 Manual
    - Joining Online Reading Communities
    - Participating in Virtual Book Clubs
    - Following Authors and Publishers Kitchenaid Kbfs20etss01 Manual
  9. Balancing eBooks and Physical Books Kitchenaid Kbfs20etss01 Manual
    - Benefits of a Digital Library
    - Creating a Diverse Reading Collection Kitchenaid Kbfs20etss01 Manual
  10. Overcoming Reading Challenges
    - Dealing with Digital Eye Strain
    - Minimizing Distractions
    - Managing Screen Time
  11. Cultivating a Reading Routine Kitchenaid Kbfs20etss01 Manual
    - Setting Reading Goals Kitchenaid Kbfs20etss01 Manual
    - Carving Out Dedicated Reading Time
  12. Sourcing Reliable Information of Kitchenaid Kbfs20etss01 Manual

- Fact-Checking eBook Content of Kitchenaid Kbfs20etss01 Manual
  - Distinguishing Credible Sources
13. Promoting Lifelong Learning
- Utilizing eBooks for Skill Development
  - Exploring Educational eBooks
14. Embracing eBook Trends
- Integration of Multimedia Elements
  - Interactive and Gamified eBooks

### **Kitchenaid Kbfs20etss01 Manual Introduction**

Free PDF Books and Manuals for Download: Unlocking Knowledge at Your Fingertips In today's fast-paced digital age, obtaining valuable knowledge has become easier than ever. Thanks to the internet, a vast array of books and manuals are now available for free download in PDF format. Whether you are a student, professional, or simply an avid reader, this treasure trove of downloadable resources offers a wealth of information, conveniently accessible anytime, anywhere. The advent of online libraries and platforms dedicated to sharing knowledge has revolutionized the way we consume information. No longer confined to physical libraries or bookstores, readers can now access an extensive collection of digital books and manuals with just a few clicks. These resources, available in PDF, Microsoft Word, and PowerPoint formats, cater to a wide range of interests, including literature, technology, science, history, and much more. One notable platform where you can explore and download free Kitchenaid Kbfs20etss01 Manual PDF books and manuals is the internet's largest free library. Hosted online, this catalog compiles a vast assortment of documents, making it a veritable goldmine of knowledge. With its easy-to-use website interface and customizable PDF generator, this platform offers a user-friendly experience, allowing individuals to effortlessly navigate and access the information they seek. The availability of free PDF books and manuals on this platform demonstrates its commitment to democratizing education and empowering individuals with the tools needed to succeed in their chosen fields. It allows anyone, regardless of their background or financial limitations, to expand their horizons and gain insights from experts in various disciplines. One of the most significant advantages of downloading PDF books and manuals lies in their portability. Unlike physical copies, digital books can be stored and carried on a single device, such as a tablet or smartphone, saving valuable space and weight. This convenience makes it possible for readers to have their entire library at their fingertips, whether they are commuting, traveling, or simply enjoying a lazy afternoon at home. Additionally, digital files are easily searchable, enabling readers to locate specific information within seconds. With a few keystrokes, users can search for keywords, topics, or phrases, making research and finding relevant information a breeze.

This efficiency saves time and effort, streamlining the learning process and allowing individuals to focus on extracting the information they need. Furthermore, the availability of free PDF books and manuals fosters a culture of continuous learning. By removing financial barriers, more people can access educational resources and pursue lifelong learning, contributing to personal growth and professional development. This democratization of knowledge promotes intellectual curiosity and empowers individuals to become lifelong learners, promoting progress and innovation in various fields. It is worth noting that while accessing free Kitchenaid Kbfs20etss01 Manual PDF books and manuals is convenient and cost-effective, it is vital to respect copyright laws and intellectual property rights. Platforms offering free downloads often operate within legal boundaries, ensuring that the materials they provide are either in the public domain or authorized for distribution. By adhering to copyright laws, users can enjoy the benefits of free access to knowledge while supporting the authors and publishers who make these resources available. In conclusion, the availability of Kitchenaid Kbfs20etss01 Manual free PDF books and manuals for download has revolutionized the way we access and consume knowledge. With just a few clicks, individuals can explore a vast collection of resources across different disciplines, all free of charge. This accessibility empowers individuals to become lifelong learners, contributing to personal growth, professional development, and the advancement of society as a whole. So why not unlock a world of knowledge today? Start exploring the vast sea of free PDF books and manuals waiting to be discovered right at your fingertips.

### **FAQs About Kitchenaid Kbfs20etss01 Manual Books**

**What is a Kitchenaid Kbfs20etss01 Manual PDF?** A PDF (Portable Document Format) is a file format developed by Adobe that preserves the layout and formatting of a document, regardless of the software, hardware, or operating system used to view or print it. **How do I create a Kitchenaid Kbfs20etss01 Manual PDF?** There are several ways to create a PDF: Use software like Adobe Acrobat, Microsoft Word, or Google Docs, which often have built-in PDF creation tools. Print to PDF: Many applications and operating systems have a "Print to PDF" option that allows you to save a document as a PDF file instead of printing it on paper. Online converters: There are various online tools that can convert different file types to PDF. **How do I edit a Kitchenaid Kbfs20etss01 Manual PDF?** Editing a PDF can be done with software like Adobe Acrobat, which allows direct editing of text, images, and other elements within the PDF. Some free tools, like PDFescape or Smallpdf, also offer basic editing capabilities. **How do I convert a Kitchenaid Kbfs20etss01 Manual PDF to another file format?** There are multiple ways to convert a PDF to another format: Use online converters like Smallpdf, Zamzar, or Adobe Acrobats export feature to convert PDFs to formats like Word, Excel, JPEG, etc. Software like Adobe Acrobat, Microsoft Word, or other PDF editors may have options to export or save PDFs in different formats. **How do I password-protect a Kitchenaid**



**Kbfs20etss01 Manual PDF?** Most PDF editing software allows you to add password protection. In Adobe Acrobat, for instance, you can go to "File" -> "Properties" -> "Security" to set a password to restrict access or editing capabilities. Are there any free alternatives to Adobe Acrobat for working with PDFs? Yes, there are many free alternatives for working with PDFs, such as: LibreOffice: Offers PDF editing features. PDFsam: Allows splitting, merging, and editing PDFs. Foxit Reader: Provides basic PDF viewing and editing capabilities. How do I compress a PDF file? You can use online tools like Smallpdf, ILovePDF, or desktop software like Adobe Acrobat to compress PDF files without significant quality loss. Compression reduces the file size, making it easier to share and download. Can I fill out forms in a PDF file? Yes, most PDF viewers/editors like Adobe Acrobat, Preview (on Mac), or various online tools allow you to fill out forms in PDF files by selecting text fields and entering information. Are there any restrictions when working with PDFs? Some PDFs might have restrictions set by their creator, such as password protection, editing restrictions, or print restrictions. Breaking these restrictions might require specific software or tools, which may or may not be legal depending on the circumstances and local laws.

**Find Kitchenaid Kbfs20etss01 Manual :**

**maximum healing optimize your natural ability to heal**

**max esterl die schilderspaxer b hmerwaldkrimi**

matrices and their roots matrices and their roots

**mazda 323 owners manual**

mazda 6 2005 abs manuals

mazda 6 complete workshop repair manual 2002 onward

mazda 626ford probe automotive repair manual 93 03 haynes automotive repair manuals

mazda b2015 head repair manual

**maytag mlg dryer service manual**

mazda 626 mx 6 1993 repair service manual

mazak laser programming manual

mazda b3 engine manual 1300

mazda 626 mx 6 1992 1997 full service repair manual

*matt kramers making sense of italian wine*

matrix theory dover books on mathematics

**Kitchenaid Kbfs20etss01 Manual :**

*porridge selber machen 5 gesunde rezepte eat smarter* - Jun 12 2023

web egal ob aus hafer hirse amaranth oder quinoa zubereitet porridge ist nicht nur vielfältig sondern auch gesund und das beste daran sie können porridge ganz einfach selber machen wir stellen ihnen hier unsere favoriten vor

**grundrezept für den perfekten porridge porridge rezepte** - Mar 29 2022

web hier findest du das originale porridge grundrezept aus dem ursprungsland schottland mit wenigen zutaten kannst du dein porridge selber machen

*porridge selber machen grundrezept dinkel beeren* - Nov 05 2022

web oct 9 2023 porridge grundrezept einfaches rezept für ein gesundes frühstück aus haferflocken und milch oder wasser ganz einfach porridge selber machen und verfeinern

17 porridge recipes that will keep you cozy greatist - May 31 2022

web dec 5 2018 this recipe uses peppery arugula and crunchy scallions to liven up savory oats that are cooked in ghee clarified butter and sea salt feel free to stick to one or two grains to keep things

**die 5 leckersten porridge rezepte porridge grundrezept** - Oct 04 2022

web apr 3 2021 auf dem porridge gesellt sich dann noch etwas ahornsirup und ein bisschen buchweizen mit zum apfel und fertig ist unter viertes porridge rezept 5 triple chocolate porridge mit erdnussmus für alle die schokoliehaber unter uns darf natürlich auch ein schoko porridge nicht fehlen

18 porridges in singapore that deserve the congee niality award - Jan 07 2023

web jul 28 2021 the chicken and century egg porridge s 3 contains chunks of chicken slices and it s a pretty generous serving considering how affordable it is it is well seasoned and as for the meatballs there s chye poh inside adding an interesting touch 127 lor 1 toa payoh 02 29 singapore 310127 65 9475 2678

*porridge rezepte gesunde fruhstucksrezepte fur me pdf* - Jan 27 2022

web schnelle rezepte kochbuch porridge rezepte gesunde fruhstucksrezepte fur me downloaded from old vulkk com by guest brown mckenzie der vegane meal planner guide das vegan kochbuch für anfänger meyer meyer verlag gesunde und schnelle rezepte für berufstätige und die ganze familie 123 ausgefallene rezepte inklusive

*gesundes frühstück rezepte swissmilk* - Mar 09 2023

web gesundes frühstück rezepte ein gesundes frühstück gibt dir energie bis zum zmittag wie wäre es mit birchermüesli porridge muffins omelette smoothies oder pancakes für dich fein nahrhaft und gesund sollte das perfekte frühstück sein

**porridge rezepte gesunde fruhstucksrezepte fur me** - Dec 26 2021

web it is your unconditionally own grow old to pretense reviewing habit among guides you could enjoy now is porridge

rezepte gesunde fruhstucksrezepte fur me below nobody s angels elizabeth langland 1995 langland argues that the middle class wife had a more complex and important function than has previously been recognized she mastered

*das beste porridge grundrezept vegan oats and crumbs* - Apr 10 2023

web dec 19 2022 warmer und cremiger porridge ist ein einfaches gesundes frühstück für das beste porridge grundrezept brauchst du nur 5 zutaten und 10 minuten zeit mit toppings wie fruchten nüssen und kakaonibs machst du dein oatmeal jeden tag lecker und abwechslungsreich

**6 porridge rezepte für mehr abwechslung gesunde oatmeal youtube** - Aug 02 2022

web feb 4 2021 dann bist du hier genau richtig in diesem video zeige ich euch 6 rezeptideen für ein abwechslungsreiches vielfältiges gesundes frühstück aus haferflocken damit ihr mehr variation in eurer

12 gesunde porridge rezepte die satt machen fit for fun - Sep 15 2023

web 12 gesunde porridge rezepte die satt machen haferflocken banane apfel beeren zimt und erdnussmus in diesem einfachen und schnellen porridge rezept vereinen sich nur gute zutaten zudem sorgt der haferbrei dafür dass du bis zum mittagessen satt bleibst und zwischendurch nicht naschen musst

**porridge selber machen 8 tipps feine rezepte swissmilk** - Jul 01 2022

web porridge selber machen 8 tipps feine rezepte gesund und warm in den tag porridge ist mein zmorger star in der kalten jahreszeit ich zeige dir mein liebstes porridge rezept inklusive tipps und entwirre für

porridge das rezept für ein gesundes frühstück energievoll - Feb 08 2023

web jul 22 2021 ist porridge gesund das klassische porridge wird mit haferflocken zubereitet hafer enthält viele vitamine reichlich eiweiß mineral und ballaststoffe die verdauung wird hierdurch bereits am morgen ordentlich angekurbelt zusätzlich sorgt der haferbrei für einen gleichbleibenden blutzuckerspiegel sodass du lange satt und

**healthy porridge recipes bbc good food** - Sep 03 2022

web baked banana porridge 46 ratings start the day right with this healthy baked banana porridge containing walnuts banana and cinnamon bananas are a good source of the amino acid tryptophan which the body needs to make the feel good hormone serotonin when eaten with a carb source such as oats the brain can absorb the tryptophan easily

*porridge rezepte für ein gesundes frühstück lecker* - Oct 16 2023

web sep 20 2023 für das traditionelle porridge grundrezept brauchst du nur 4 zutaten haferflocken milch oder wasser eine prise salz sowie zimt die zubereitung von klassischem porridge gelingt in 10 minuten klassisches porridge

*porridge recipes bbc food* - Feb 25 2022

web porridge recipes porridge is a british breakfast staple in its simplest form it consists of just oats and water or milk these are heated in a pan or microwave until the oats are soft and

das perfekte frühstück mit porridge porridge rezepte - Apr 29 2022

web das perfekte fitness frühstück dass porridge gesund ist und für einen guten start in den tag sorgt ist gemeinhin bekannt auch viele sportler setzen auf porridge als power frühstück doch eignet sich porridge für fitness fitness porridge der richtige brennstoff für das workout

**porridge recipes bbc good food** - Nov 24 2021

web 8 ratings start off the day with a warm tummy this porridge is packed with energy giving oats and fat free greek yogurt start the day with a bowl of porridge for a comforting high fibre breakfast to keep you going jazz up your oats with fresh fruit and nut toppings

porridge rezepte 8 leckere varianten zum abnehmen gesund - Jul 13 2023

web die 8 leckersten porridge rezepte perfekt zum abnehmen und für eine gesunde ernährung brötchen butter marmelade porridge der aus england stammende haferbrei hat sich nicht ohne grund zu einem angesagten frühstück entwickelt porridge ist ein gesunder sattmacher liefert wertvolle nährstoffe und schmeckt außerdem wahnsinnig gut

**zuckerfreies porridge selber machen grundrezept mit topping** - May 11 2023

web apr 13 2021 egal ob du lieber ein süßes oder herzhaftes porridge selber machen willst durch das salz werden auch die anderen aromen nochmal hervorgehoben und mein persönlicher trick besonders lecker wird das porridge grundrezept wenn du die haferflocken vorher kurz in einer pfanne anröstest topping ideen so wird s bunt auf

*kreative porridge rezepte für ein gesundes frühstück* - Aug 14 2023

web bekomme leckere porridge und overnight oat rezepte um gesund in den tag zu starten fruchtig vollwertig und leicht vorzubereiten

die besten porridge rezepte ichkoche at - Dec 06 2022

web starten sie mit einem gesunden power frühstück in den tag der haferbrei porridge kommt aus schottland und wird traditionell mit haferflocken und wasser zubereitet es gibt aber zahlreiche abwandlungen etwa mit milch mandelmilch hafermilch co sowie mit anderen getreidesorten wie dinkel hirse oder amaranth

kaffeekränzchen törtchen torten gute laune die schönsten - Oct 21 2023

web torten online bestelle deine torte hier deinetorte de torten versenden die besten tipps und anbieter focus de rezepte törtchen essen und trinken torten rezepte chefkoch torten die schönsten torten zum munity geburtstag gute laune kirsch torte von small cook girl chefkoch 223 rezepte zu torten einfach gutekueche at torten lecker macht

*kaffeekränzchen törtchen torten gute laune die schönsten* - Sep 20 2023

web kaffeekränzchen törtchen torten gute laune die schönsten ideen für unvergessliche nachmittage by gute laune torte von honigfee ein thermomix rezept aus torten lecker macht laune die 15 besten kuchen und torten eat smarter törtchentörtchen

patisserie chocolaterie café

**kafeeekranzchen tortchen torten gute laune die sc pdf** - Nov 10 2022

web kafeekranzchen tortchen torten gute laune die sc downloaded from jmseniorliving com by guest lyric marks eulenspiegel bastei lÜbbe anna und hans sind kleine leute dienstmädchen und leichtmatrose als sie sich 1930 kennenlernen in ihrem leben spiegeln sich die sozialen verhältnisse der epoche die zeitgeschichte

kafeeekranzchen tortchen torten gute laune die sc pdf - Mar 14 2023

web sep 9 2023 kafeekranzchen tortchen torten gute laune die sc 1 1 downloaded from uniport edu ng on september 9 2023 by guest kafeekranzchen tortchen torten gute laune die sc getting the books kafeekranzchen tortchen torten gute laune die sc now is not type of challenging means you could not solitary going subsequently book store or

kafeeekranzchen tortchen torten gute laune die sc hugo hayn - Aug 19 2023

web perception of this kafeekranzchen tortchen torten gute laune die sc can be taken as capably as picked to act fairy tales from andersen hans christian andersen 1927 a retelling of many of andersen s favorite tales including the little match girl the ugly duckling and the fir tree god s first love friedrich heer 1999

*golden cafe* - Jun 17 2023

web about golden cafe golden cafe is a renowned homegrown brand in singapore established since 1998 with a passion to provide the best zi char at affordable prices to everyone only the finest and freshest ingredients are used handpicked everyday from the market by our chefs

*kafeeekränzchen törtchen torten gute laune die schönsten* - Jun 05 2022

web torten amp gute laune die torten die besten rezepte lecker torten versenden die besten tipps und anbieter focus de torten lecker macht laune gute laune torte von honigfee ein thermomix rezept aus torten rezepte essen und trinken

*kafeeekranzchen tortchen torten gute laune die sc* - Jul 06 2022

web kafeekranzchen tortchen torten gute laune die sc 1 downloaded from donate pfi org on 2020 12 24 by guest right here we have countless book kafeekranzchen tortchen torten gute laune die sc and collections to check out

kafeeekranzchen tortchen torten gute laune die sc pdf - Feb 13 2023

web kafeekranzchen tortchen torten gute laune die sc downloaded from design bluesquare org by guest lilianna christine gesammelte werke chronicle books this holiday bestseller is now available in paperback dozens of recipes include christmas breads such as stollen and panettone directions for making a spectacular

*kafeeekranzchen tortchen torten gute laune die sc* - Sep 08 2022

web getötet haben die ermitteltruppe um cornelia mancini stößt bei ihrer recherche auf schockierende geheimnisse einer kieler Ärztin nur allmählich lichten sich die nebel dabei gerät die unbedarfte klinger als zeugin tiefer in den sog der

ermittlung denn ihr hängt ein längst vergessener prozess nach cornelia

**kaffeekranzchen tortchen torten gute laune die sc** - Oct 09 2022

web tortchen torten gute laune die sc downloaded from jupiter goinglobal com by guest berry kaylyn weihnachten mit zipfelmützen hogrefe ag im umgang mit krisen hat der osten erfahrung der gesellschaftliche umbruch nach 1989 brachte nicht nur verbesserungen sondern auch ungeahnte ökonomische demographische und soziale

kaffeekränzchen törtchen torten gute laune die schönsten - Jul 18 2023

web schönsten torten die besten torten rezepte für sie 79f4 kaffeekranzchen tortchen torten gute launedie torten rezepte tolle ideen von dr oetker kleine torten rezepte die mini version aus der springform torten lecker macht laune tortenversand torten online bestellen bei tortenprima de gute laune torte von honigfee ein thermomix

**kaffeekränzchen törtchen torten gute laune die schönsten** - May 04 2022

web kaffeekränzchen törtchen torten gute laune die schönsten ideen für unvergessliche nachmittage by kaffee kuchen gute laune die besten rezepte für einen unvergesslichen nachmittag teilchen törtchen und

kaffeekranzchen tortchen torten gute laune die sc - Apr 03 2022

web kaffeekranzchen tortchen torten gute laune die sc clinical neuroscience kelly lambert 2011 clinical neuroscience informs students of relevant neurobiological foundations of various mental illnesses in this book students will begin their journey with a tour of the brain s fundamental building blocks neuroanatomy neurochemistry

*kaffeekranzchen tortchen torten gute laune die sc book* - May 16 2023

web kaffeekranzchen tortchen torten gute laune die sc 2 001 most useful german words mar 06 2022 this dictionary format reference presents the german word its definition a sentence in german to show context and the english translation quick reference charts offer tips on vocabulary and grammar and common expressions abnehmen mit torte

so good char chan tang and bakery - Dec 11 2022

web please visit our new char chan tang at 112 east coast road i12 katong 04 08 09 s428802

**12 best hong kong cafes in singapore to experience cha chaan** - Aug 07 2022

web nov 6 2021 this is where you can expect huge variety of food from cheese baked rice wonton noodles curry rice sandwiches hong kong style french toast bolo bun and egg tarts if you are craving of some of those cha chaan teng food here are 12 hong kong cafes in singapore to check out legendary hong kong 63 jurong west central 3 03

kaffeekranzchen tortchen torten gute laune die sc pdf - Mar 02 2022

web any of our books considering this one merely said the kaffeekranzchen tortchen torten gute laune die sc pdf is universally compatible next any devices to read every dark corner karen rose 2017 02 07 in this nerve shattering novel in new york times bestselling author karen rose s cincinnati series two fbi special agents are on the trail

**12 cha chaan tengs bakeries restaurants in singapore that** - Jan 12 2023

web oct 17 2021 from the delicious eats to the bustling streets there s a lot to be missed about the metropolitan cityscape of hong kong the travel bubble between singapore and hong kong might have burst

**downloadable free pdfs kaffeekranzchen tortchen torten gute laune die sc** - Apr 15 2023

web kaffeekranzchen tortchen torten gute laune die sc die frage nach dem ursprung der sprache im zusammenhang mit der frage nach dem unterschied zwischen der menschen und thierseele aug 24 2020 nathan bailey s dictionary english german and german english english deutsches und deutsches englishes wörterbuch

the chamber john grisham sue harmes google books - Mar 30 2022

web five cds 6 hrs performance by michael beckin the corridors of chicago s top law firm twenty six year old adam hall stands on the brink of a brilliant legal career now he is risking it all for a

the chamber penguin readers graded readers paperback - Feb 09 2023

web buy the chamber penguin readers graded readers by grisham john isbn 9780582364110 from amazon s book store everyday low prices and free delivery on eligible orders

*the chamber penguin readers level 6 by john grisham* - Sep 04 2022

web the chamber by john grisham view history common knowledge references references to this work on external resources wikipedia in english none book descriptions contemporary american english the horror of death row is that you die a little each day the waiting kills you seventy year old sam cayhall is on mississippi s death row

*penguin readers 6 chamber the book and mp3 pack john grisham* - Aug 03 2022

web sam hates lawyers but his date with the gas chamber is close and time is running out then adam hall a young lawyer arrives can he and his secret persuade sam to accept his help

**the chamber esl penguin readers grisham john** - Oct 05 2022

web jan 1 2000 john grisham the chamber esl penguin readers paperback jan 1 2000 by john grisham author 19 ratings see all formats and editions paperback 11 96 12 used from 3 96 1 new from 95 76

the chamber by john grisham penguin books australia - Jul 02 2022

web jun 1 2010 john grisham has perfected the art of cooking up convincing fast paced thrillers telegraph grisham is a superb instinctive storyteller the times grisham s storytelling genius reminds us that when it comes to legal drama the master is in a

*chamber by john grisham open library* - Feb 26 2022

web the chamber by john grisham 2013 penguin random house edition in english it looks like you re offline donate Čeština cs deutsch de an edition of the chamber 1994 chamber by john grisham

[the chamber level 6 penguin readers graded readers penguin](#) - Mar 10 2023

web sep 25 2008 the chamber level 6 penguin readers graded readers penguin longman penguin readers john grisham yue han ge li sen mu on amazon com free shipping on qualifying offers the chamber level 6 penguin readers graded readers penguin longman penguin readers

*the chamber novel wikipedia* - May 12 2023

web the chamber 1994 is a legal thriller written by american author john grisham it is grisham s fifth novel plot in 1967 in greenville mississippi the office of jewish lawyer marvin kramer is bombed injuring kramer and killing his two young sons

**the chamber penguin books uk** - Jun 13 2023

web summary there are some cases you have to take adam hill is a rookie lawyer at a top chicago firm the world is at his feet so why does he volunteer to represent a kkk terrorist under threat of execution and why is the defendant happy

*john grisham penguin books uk* - Jan 08 2023

web biography john grisham the chamber a gripping crime thriller from the sunday times bestselling author of mystery and suspense paperback shop now summary there are some cases you have to take adam hill is a rookie lawyer at a top chicago firm the world is at his feet so why does he volunteer to represent a kkk terrorist under threat of execution

**the chamber by john grisham 9780385339667 penguin** - Jul 14 2023

web john grisham is the author of thirty novels one work of nonfiction a collection of stories and six novels for young readers isbn 9780385339667 mass market paperback 9 99 4 3 16 x 7 1 2 isbn 9780440245940 6 1 8 x 9 1 4 isbn 9780385424721

**the chamber by john grisham penguin random house audio** - Jun 01 2022

web a novel written by john grisham read by alexander adams synopsis praise in the corridors of chicago s top law firm twenty six year old adam hall stands on the brink of a brilliant legal career now he is risking it all for a death row killer and an impossible case maximum security unit mississippi state prison

**amazon com the chamber a novel audible audio edition john grisham** - Dec 27 2021

web books mystery thriller suspense thrillers suspense legal audible sample the chamber a novel audible audiobook unabridged john grisham author alexander adams narrator 1 more 5 309 ratings see all formats and editions kindle 9 99 read with our free app audiobook 0 00 free with your audible trial

[penguin readers factsheets](#) - Apr 11 2023

web l e v e l t e a c h e r s n o t e s the chamber by john grisham e 1 2 s u m m a r y the chamber tells the story of a seventy year old man s last bid to save himself from execution sam cayhall has been on death row for more than twenty years when a young lawyer adam hall appears to be on a mission to save him

**the chamber by john grisham read by alexander adams** - Jan 28 2022



web follow prh audio and others on soundcloud create a soundcloud account in the corridors of chicago s top law firm twenty six year old adam hall stands on the brink of a brilliant legal career now he is risking it all for a death row killer and an impossible case

**level 6 the chamber john grisham 9781405882613 penguin** - Nov 06 2022

web level 6 the chamber john grisham 9781405882613 penguin graded readers level 6 pearson 978 1 4058 8261 3 104

*the chamber by john grisham penguin random house canada* - Dec 07 2022

web available for the first time in a trade paperback edition a classic 1 new york times bestseller from john grisham the undisputed absolute master of legal suspense thrillers the washington post

*the chamber penguin readers graded readers grisham john* - Apr 30 2022

web the chamber penguin readers graded readers von grisham john beim zvb com isbn 10 0582364116 isbn 13

9780582364110 pearson education limited 1999 softcover

*the chamber penguin readers level 6 first edition* - Aug 15 2023

web jan 14 2000 new used rental textbooks twenty two years after the bombing of a mississippi law office in which marvin kramer s two sons died klan member sam cayhill the accused killer has nearly exhausted his death row appeals until young lawyer adam hall takes the case