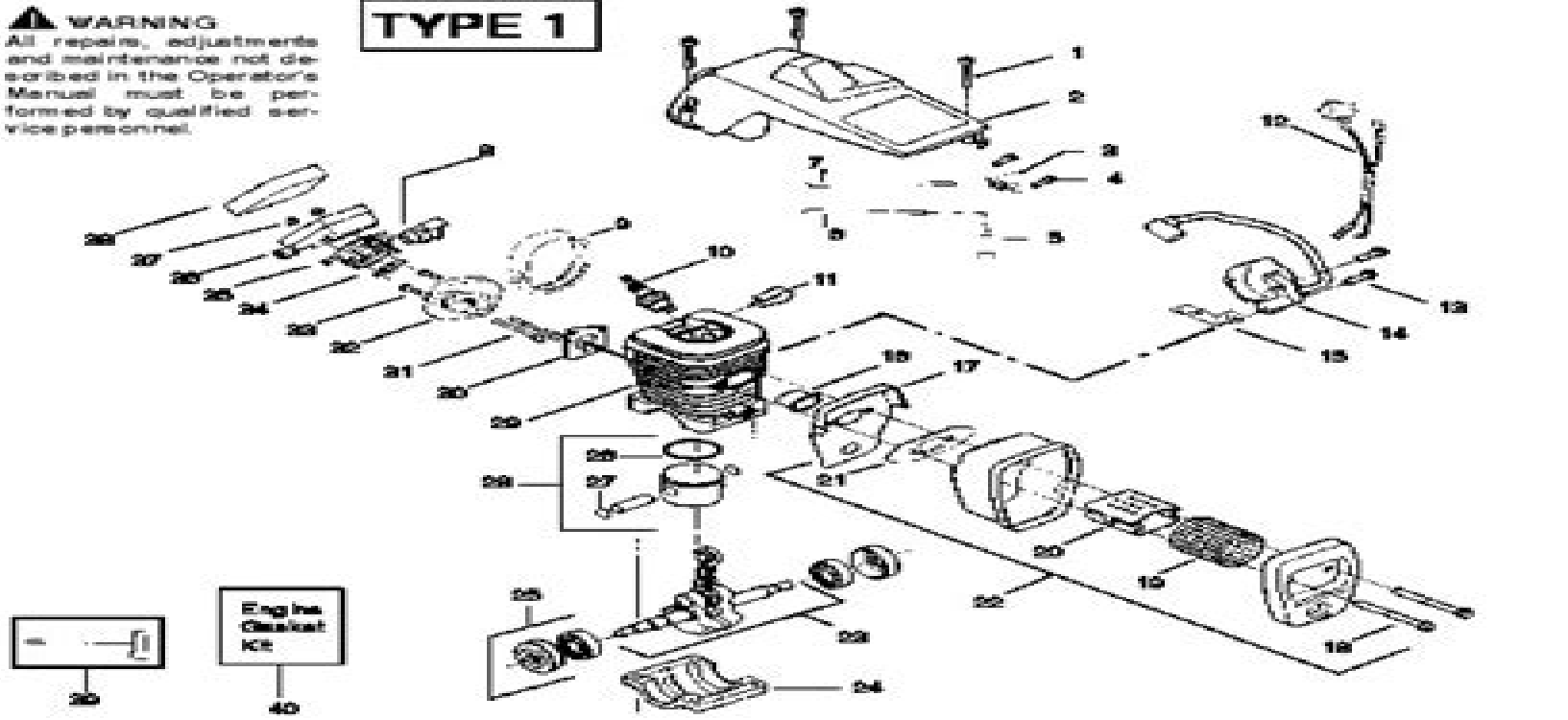


WARNING
 All repairs, adjustments and maintenance not described in the Operator's Manual must be performed by qualified service personnel.

TYPE 1



Part	Part No.	Description	Part	Part No.	Description	Part	Part No.	Description
1.	3300 0700	Carburetor	16.	3300 0610	Screen - Spark	36.	3300 0704	Housing - Air Filter
2.	3300 0701	Needle Valve	17.	3300 0701	Needle Valve	37.	3300 0601	Net
3.	3300 0702	Assy. - Air Filter	18.	3300 0602	Needle - Air Filter (H)	38.	3300 0702	Air Filter - Foam
4.	3300 0703	Carburetor	19.	3300 0703	Assy. - Needle	39.	3300 0703	Washer - Needle
5.	3300 0704	Assy. - Float Pick-up	20.	3300 0704	Assy. - Needle	40.	3300 0602	Kit - Engine Check (incl. 34,35,36)
6.	3300 0705	Kit - Line Plug/Carb. (Small/Dog)	21.	3300 0705	Assy. - Needle			
7.	3300 0706	Kit - Line Plug/Carb. (Large/Dog)	22.	3300 0706	Assy. - Needle			
8.	3300 0707	Assy. - Needle	23.	3300 0707	Assy. - Needle			
9.	3300 0708	Assy. - Needle	24.	3300 0708	Assy. - Needle			
10.	3300 0709	Assy. - Needle	25.	3300 0709	Assy. - Needle			
11.	3300 0710	Assy. - Needle	26.	3300 0710	Assy. - Needle			
12.	3300 0711	Assy. - Needle	27.	3300 0711	Assy. - Needle			
13.	3300 0712	Assy. - Needle	28.	3300 0712	Assy. - Needle			
14.	3300 0713	Assy. - Needle	29.	3300 0713	Assy. - Needle			
15.	3300 0714	Assy. - Needle	30.	3300 0714	Assy. - Needle			
16.	3300 0715	Assy. - Needle	31.	3300 0715	Assy. - Needle			
17.	3300 0716	Assy. - Needle	32.	3300 0716	Assy. - Needle			
18.	3300 0717	Assy. - Needle	33.	3300 0717	Assy. - Needle			
19.	3300 0718	Assy. - Needle	34.	3300 0718	Assy. - Needle			
20.	3300 0719	Assy. - Needle	35.	3300 0719	Assy. - Needle			
21.	3300 0720	Assy. - Needle	36.	3300 0720	Assy. - Needle			
22.	3300 0721	Assy. - Needle	37.	3300 0721	Assy. - Needle			
23.	3300 0722	Assy. - Needle	38.	3300 0722	Assy. - Needle			
24.	3300 0723	Assy. - Needle	39.	3300 0723	Assy. - Needle			
25.	3300 0724	Assy. - Needle	40.	3300 0724	Assy. - Needle			
26.	3300 0725	Assy. - Needle						
27.	3300 0726	Assy. - Needle						
28.	3300 0727	Assy. - Needle						
29.	3300 0728	Assy. - Needle						
30.	3300 0729	Assy. - Needle						
31.	3300 0730	Assy. - Needle						
32.	3300 0731	Assy. - Needle						
33.	3300 0732	Assy. - Needle						
34.	3300 0733	Assy. - Needle						
35.	3300 0734	Assy. - Needle						
36.	3300 0735	Assy. - Needle						
37.	3300 0736	Assy. - Needle						
38.	3300 0737	Assy. - Needle						
39.	3300 0738	Assy. - Needle						
40.	3300 0739	Assy. - Needle						

SEE REFERENCE TO THE SERVICE MANUAL FOR MORE INFORMATION. (LOCATED AT THE END OF THE MANUAL)

Mcculloch Chainsaw Manual Parts

Library of Congress. Copyright Office

Mcculloch Chainsaw Manual Parts:

Catalog of Copyright Entries. Third Series Library of Congress. Copyright Office,1963 Includes Part 1 Number 1 Books and Pamphlets Including Serials and Contributions to Periodicals January June *Popular Mechanics* ,1978-10 Popular Mechanics inspires instructs and influences readers to help them master the modern world Whether it s practical DIY home improvement tips gadgets and digital technology information on the newest cars or the latest breakthroughs in science PM is the ultimate guide to our high tech lifestyle Harrowsmith ,1988 *Popular Mechanics* ,1981-12 Popular Mechanics inspires instructs and influences readers to help them master the modern world Whether it s practical DIY home improvement tips gadgets and digital technology information on the newest cars or the latest breakthroughs in science PM is the ultimate guide to our high tech lifestyle **Farming Ahead with the Kondinin Group** ,2003 The Small-Engine Handbook Peter Hunn,2005 Peter Hunn It s common for homeowners to have 2 or 4 cycle small engines in their lawn and garden equipment utility vehicles recreational vehicles generators and other machines With this easy to follow richly illustrated handbook homeowners will be able to understanding small engines troubleshooting them and working on them The book has a brief history of significant and popular small engines and a guide to setting up a home workshop in which to work on them It also includes case studies on the disassembly maintenance repair and or rebuilding of a 2 stroke lawnmower engine a 4 stroke utility motor a 2 stroke chainsaw engine and a curbside junker The writing is lively and entertaining and the color photos clearly show how to work on these useful engines **The Philippine Lumberman** ,1971 **Australian Forest Industries Journal** ,1978 *GC & HTJ.* ,1977 **Chainsaw Love** James Card,2025-08-19 Behold the mighty chainsaw and discover its history its influence and its people Considered the most powerful of all hand tools the chainsaw has been vital to contemporary life in ways large small and sometimes surprising since it first came on the market in the 1940s In Chainsaw Love author James Card celebrates this formidable implement in unflinching style sharing stories and reflections about the world of chainsaws and the people who use and appreciate them Card describes the personal freedom that comes from harvesting your own trees for firewood and introduces readers to lumberjack competitors hot saw builders and the sculpture carvers who take sawing to new heights Chainsaw Love asserts the key role chainsaws play in clearing the right of way for powerlines to keep the electrical grid humming in forestry and conservation efforts to maintain desirable ecosystems and in the sciences where ecologists and astronomers use chainsaws to age trees for scientific research Card also considers the chainsaw s place in pop culture from movies to rock songs to presidential photo ops Readers of Chainsaw Love will discover the lore and terminology of forests and wood cutting widow makers and windthrows witness trees and barber chairs pumpkin pine devil s forks cat faces and schoolmarms Additionally the book offers insights into chainsaw variations and parts guidelines for saw care and maintenance safety recommendations and other hard won tips and tricks Dozens of photos from the field as well as helpful diagrams add to readers understanding of the saw s evolution and modern use Part homage part

social history and part field guide Chainsaw Love is the perfect book for chainsaw users of all stripes from loggers to conservationists woodworkers to weekend cabin dwellers and anyone curious about this magnificent and underappreciated machine **Popular Science** ,1988 **Lubricant Additives** C. V. Smalheer,R. Kennedy Smith,1967 **AMJ**, **Agricultural Machinery Journal** ,1977 *Freedomland* Robert McLaughlin, Frank R. Adamo,2010-05-31 Billed as New York s answer to Disneyland innovative Freedomland opened on June 19 1960 Designed by Marco Engineering of Los Angeles for the International Recreation Corporation Freedomland transformed a former landfill lowlands and farms into an exciting theme park in the shape of the United States Through photographs Freedomland recalls boat rides on the Great Lakes putting out a fire in Chicago dancing under the stars at the Moon Bowl or taking a train ride all the way to San Francisco Entering Freedomland was like walking into a history book of America for both young and young at heart Open for five seasons Freedomland gave its guests and cast members memories that have lasted a lifetime Tropical Forestry and Industries ,1967 **Power Farming in Australia and New Zealand Technical Manual** ,1987 *Ski Area Management* ,1991 **Popular Science** ,1972-07 Popular Science gives our readers the information and tools to improve their technology and their world The core belief that Popular Science and our readers share The future is going to be better and science and technology are the driving forces that will help make it better DIY Retailing ,1985 *New Zealand Forest Industries* ,1993

This is likewise one of the factors by obtaining the soft documents of this **Mcculloch Chainsaw Manual Parts** by online. You might not require more times to spend to go to the books introduction as well as search for them. In some cases, you likewise reach not discover the revelation Mcculloch Chainsaw Manual Parts that you are looking for. It will unconditionally squander the time.

However below, gone you visit this web page, it will be hence enormously easy to acquire as well as download guide Mcculloch Chainsaw Manual Parts

It will not agree to many grow old as we run by before. You can realize it even if put it on something else at home and even in your workplace. so easy! So, are you question? Just exercise just what we have the funds for under as with ease as review **Mcculloch Chainsaw Manual Parts** what you when to read!

<http://www.armchairempire.com/book/uploaded-files/index.jsp/Laffaire%20Lerouge%20Illustr%20Mile%20Gaboriau%20Ebook.pdf>

Table of Contents Mcculloch Chainsaw Manual Parts

1. Understanding the eBook Mcculloch Chainsaw Manual Parts
 - The Rise of Digital Reading Mcculloch Chainsaw Manual Parts
 - Advantages of eBooks Over Traditional Books
2. Identifying Mcculloch Chainsaw Manual Parts
 - Exploring Different Genres
 - Considering Fiction vs. Non-Fiction
 - Determining Your Reading Goals
3. Choosing the Right eBook Platform
 - Popular eBook Platforms
 - Features to Look for in an Mcculloch Chainsaw Manual Parts
 - User-Friendly Interface

4. Exploring eBook Recommendations from Mcculloch Chainsaw Manual Parts
 - Personalized Recommendations
 - Mcculloch Chainsaw Manual Parts User Reviews and Ratings
 - Mcculloch Chainsaw Manual Parts and Bestseller Lists
5. Accessing Mcculloch Chainsaw Manual Parts Free and Paid eBooks
 - Mcculloch Chainsaw Manual Parts Public Domain eBooks
 - Mcculloch Chainsaw Manual Parts eBook Subscription Services
 - Mcculloch Chainsaw Manual Parts Budget-Friendly Options
6. Navigating Mcculloch Chainsaw Manual Parts eBook Formats
 - ePub, PDF, MOBI, and More
 - Mcculloch Chainsaw Manual Parts Compatibility with Devices
 - Mcculloch Chainsaw Manual Parts Enhanced eBook Features
7. Enhancing Your Reading Experience
 - Adjustable Fonts and Text Sizes of Mcculloch Chainsaw Manual Parts
 - Highlighting and Note-Taking Mcculloch Chainsaw Manual Parts
 - Interactive Elements Mcculloch Chainsaw Manual Parts
8. Staying Engaged with Mcculloch Chainsaw Manual Parts
 - Joining Online Reading Communities
 - Participating in Virtual Book Clubs
 - Following Authors and Publishers Mcculloch Chainsaw Manual Parts
9. Balancing eBooks and Physical Books Mcculloch Chainsaw Manual Parts
 - Benefits of a Digital Library
 - Creating a Diverse Reading Collection Mcculloch Chainsaw Manual Parts
10. Overcoming Reading Challenges
 - Dealing with Digital Eye Strain
 - Minimizing Distractions
 - Managing Screen Time
11. Cultivating a Reading Routine Mcculloch Chainsaw Manual Parts
 - Setting Reading Goals Mcculloch Chainsaw Manual Parts
 - Carving Out Dedicated Reading Time

-
12. Sourcing Reliable Information of Mcculloch Chainsaw Manual Parts
 - Fact-Checking eBook Content of Mcculloch Chainsaw Manual Parts
 - Distinguishing Credible Sources
 13. Promoting Lifelong Learning
 - Utilizing eBooks for Skill Development
 - Exploring Educational eBooks
 14. Embracing eBook Trends
 - Integration of Multimedia Elements
 - Interactive and Gamified eBooks

Mcculloch Chainsaw Manual Parts Introduction

In this digital age, the convenience of accessing information at our fingertips has become a necessity. Whether its research papers, eBooks, or user manuals, PDF files have become the preferred format for sharing and reading documents. However, the cost associated with purchasing PDF files can sometimes be a barrier for many individuals and organizations. Thankfully, there are numerous websites and platforms that allow users to download free PDF files legally. In this article, we will explore some of the best platforms to download free PDFs. One of the most popular platforms to download free PDF files is Project Gutenberg. This online library offers over 60,000 free eBooks that are in the public domain. From classic literature to historical documents, Project Gutenberg provides a wide range of PDF files that can be downloaded and enjoyed on various devices. The website is user-friendly and allows users to search for specific titles or browse through different categories. Another reliable platform for downloading Mcculloch Chainsaw Manual Parts free PDF files is Open Library. With its vast collection of over 1 million eBooks, Open Library has something for every reader. The website offers a seamless experience by providing options to borrow or download PDF files. Users simply need to create a free account to access this treasure trove of knowledge. Open Library also allows users to contribute by uploading and sharing their own PDF files, making it a collaborative platform for book enthusiasts. For those interested in academic resources, there are websites dedicated to providing free PDFs of research papers and scientific articles. One such website is Academia.edu, which allows researchers and scholars to share their work with a global audience. Users can download PDF files of research papers, theses, and dissertations covering a wide range of subjects. Academia.edu also provides a platform for discussions and networking within the academic community. When it comes to downloading Mcculloch Chainsaw Manual Parts free PDF files of magazines, brochures, and catalogs, Issuu is a popular choice. This digital publishing platform hosts a vast collection of publications from around the world. Users can search for specific titles or explore various categories and genres. Issuu offers a seamless

reading experience with its user-friendly interface and allows users to download PDF files for offline reading. Apart from dedicated platforms, search engines also play a crucial role in finding free PDF files. Google, for instance, has an advanced search feature that allows users to filter results by file type. By specifying the file type as "PDF," users can find websites that offer free PDF downloads on a specific topic. While downloading Mcculloch Chainsaw Manual Parts free PDF files is convenient, its important to note that copyright laws must be respected. Always ensure that the PDF files you download are legally available for free. Many authors and publishers voluntarily provide free PDF versions of their work, but its essential to be cautious and verify the authenticity of the source before downloading Mcculloch Chainsaw Manual Parts. In conclusion, the internet offers numerous platforms and websites that allow users to download free PDF files legally. Whether its classic literature, research papers, or magazines, there is something for everyone. The platforms mentioned in this article, such as Project Gutenberg, Open Library, Academia.edu, and Issuu, provide access to a vast collection of PDF files. However, users should always be cautious and verify the legality of the source before downloading Mcculloch Chainsaw Manual Parts any PDF files. With these platforms, the world of PDF downloads is just a click away.

FAQs About Mcculloch Chainsaw Manual Parts Books

How do I know which eBook platform is the best for me? Finding the best eBook platform depends on your reading preferences and device compatibility. Research different platforms, read user reviews, and explore their features before making a choice. Are free eBooks of good quality? Yes, many reputable platforms offer high-quality free eBooks, including classics and public domain works. However, make sure to verify the source to ensure the eBook credibility. Can I read eBooks without an eReader? Absolutely! Most eBook platforms offer web-based readers or mobile apps that allow you to read eBooks on your computer, tablet, or smartphone. How do I avoid digital eye strain while reading eBooks? To prevent digital eye strain, take regular breaks, adjust the font size and background color, and ensure proper lighting while reading eBooks. What the advantage of interactive eBooks? Interactive eBooks incorporate multimedia elements, quizzes, and activities, enhancing the reader engagement and providing a more immersive learning experience. Mcculloch Chainsaw Manual Parts is one of the best book in our library for free trial. We provide copy of Mcculloch Chainsaw Manual Parts in digital format, so the resources that you find are reliable. There are also many Ebooks of related with Mcculloch Chainsaw Manual Parts. Where to download Mcculloch Chainsaw Manual Parts online for free? Are you looking for Mcculloch Chainsaw Manual Parts PDF? This is definitely going to save you time and cash in something you should think about.

Find Mcculloch Chainsaw Manual Parts :

[laffaire lerouge illustr mile gaboriau ebook](#)

[land of my dreams a home for my heart](#)

[lancaster toyota durham staff](#)

[lambretta manual](#)

[land rover defender 110 1985 factory service repair manual](#)

laguna 2 burner gas barbecue spares

[land rover lr2 manual](#)

[land rover discovery 2 1998 2004 workshop service manual](#)

[lancer glx 1 6 owner manual](#)

land of the spotted eagle new edition

lacan bo te mouchoirs saison lint grale ebook

[labour market economics theory evidence and policy in canada](#)

[laboratory procedure manual forensics toxicology](#)

[lancer 4g15 workshop manual 1990](#)

[land rover lr4 service manual](#)

Mcculloch Chainsaw Manual Parts :

power machines tvet exam papers - Jul 13 2023

web download power machines previous question papers our apps tvet exam download power machines past exam papers and memos from 2005 to 2020 power

november 2013 power machines n6 question papers - Sep 22 2021

power machines n6 2013 question papers pdf vpn redevolution - Apr 29 2022

web this question paper consists of 7 pages and 1 formula sheet of 5 pages 8190046 2 t1280 e m31 t power machines n6 time 3 hours marks 100 note if you

november 2013 power machines n6 question papers download - Dec 06 2022

web this extraordinary book aptly titled november 2013 power machines n6 question papers compiled by a highly acclaimed author immerses readers in a captivating

[past exam paper memo n6 engineering n1 n6 past](#) - Aug 02 2022

web this question paper consists of 8 pages and a formula sheet of 6 pages 8190046 2 t1280 e j28 t power machines n6 time 3 hours marks 100 note if you

pdf power machines n6 apr2011qp 1 - Sep 03 2022

web power machines n6 8190046 31 march 2016 x paper 09 00 12 00 requirements steam tables boe 173 calculators may be used this question

[november 2013 power machines n6 question papers copy](#) - Nov 05 2022

web apr 4 2023 begin getting this info acquire the november 2013 power machines n6 question papers connect that we present here and check out the link you could

november 2013 power machines n6 question papers pdf - Jan 07 2023

web november 2013 power machines n6 question papers a charming fictional treasure brimming with natural thoughts lies an immersive symphony waiting to be embraced

power machines n6 - Jul 01 2022

web home n6 question papers and memorandums with study on this page you will find n6 past papers and study resources for all subjects notes study guides textbooks

[read free power machines n6 question papers](#) - Nov 24 2021

web this november 2013 power machines n6 question papers as one of the most on the go sellers here will unconditionally be in the middle of the best options to review national

[n6 power machines vhembe tvet college](#) - May 11 2023

web n6 power machines april 2016 n6 power machines july 2014 marking guideline n6 power machines march 2014 marking guideline n6 power machines march 2014 n6

n6 power machines past papers memorandums n6 nated - Jun 12 2023

web jun 1 2023 power machines n6 february 2022 memorandum pdf pdf 236 5 kb power machines n6 august 2022 question paper pdf pdf 326 8 kb power machines n6

power machines n6 past papers study guides and notes - Apr 10 2023

web may 30 2022 find power machines n6 previous exam question papers with memorandums for answers 2022 2021 2020 2019 and more prescribed textbooks

power machines past exam papers and memos mytvvet - Aug 14 2023

web power machines n5 n6 past exam papers and memos from the year 2015 to the latest paper n5 n6 2023 new power machines n5 2022 power machines n5 2021 power

past exam papers memos for engineering - Jan 27 2022

web ressu capacity on s exit fic enthalpy entrat ume ine 631 at

n6 question papers and memorandums with study guides pdf - May 31 2022

web power machines n6 2013 question papers 1 power machines n6 2013 question papers power machines n6 2013 question papers harmonicariff co power

km 287 20200609121101 - Dec 26 2021

web papers paper 1 paper 2 2011 2012 2013 past exam papers n1 n6 ekurhuleni technical college nov 12 2022 web

download all your n1 to n6 engineering studies previous

kiewietseweb power machines n6 google sites - Feb 25 2022

web power machines n6 8190046 17 april 2020 x paper 09 00 12 00 requirements properties of water and steam boe 173

superheated steam tables appendix to boe

november 2013 power machines n6 question papers copy - Feb 08 2023

web november 2013 power machines n6 question papers but end up in malicious downloads rather than reading a good book with a cup of tea in the afternoon instead

power machines n6 tsc edu za - Mar 29 2022

web installation rules paper 1 and 2 mathematics n1 mathematics n2 mathematics n3 mechanotechnics n4 power machines n5 power machines n6 supervisory

power mechanics vhembe tvet college - Mar 09 2023

web t1340 power machines n6 aug memo 2017 doc t1340 power machines n6 aug qp 2017 doc t1340 power machines n6 aug qp 2017 pdf t1340 power machines n6

power machines n6 2013 question papers full pdf 2 brb org - Oct 04 2022

web power machines n6 2013 question papers 1 power machines n6 2013 question papers power motive corp w state of colorado attorney general colorado

november 2013 power machines n6 question papers copy - Oct 24 2021

web it is not with reference to the costs its approximately what you dependence currently this november 2013 power machines n6 question papers as one of the most full of zip

alex library ericsson pdf document - Sep 08 2023

web nov 8 2014 active library explorer alex alex is the customer product inventory cpi tool used with the ericsson network it is a large database of libraries operational

ericsson lte ran documentation basics 4 telecom hub - Apr 22 2022

web mission critical communications network automation and ai oss bss discover transforming enterprises across industries
game changing technologies our purpose

alex library ericsson 8jlk7v8qmzn5 documents and e books - May 04 2023

web active library explorer active library explorer alex alex is the customer product inventory cpi tool used with the ericsson network it is a large database of libraries

how to download and install ericsson alex library explorer - Mar 02 2023

web jul 1 2023 alex is a useful tool that helps you access and manage the technical documentation for ericsson products it is easy to download and install on your linux

ericsson alex libraries oss and noc telecomhall forum - Aug 07 2023

web vlr9999 december 22 2022 2 55am 4 the whole library is the set of files or one file one library we can transfer this libraries both way from our local alex to folder in enm and

how to search ericsson alex for specific alarming conditions - Jun 24 2022

web may 13 2023 alex can handle all types of product information delivered in the form of library files a how to download and install ericsson alex library explorer ericsson

ericsson helping to shape a world of communication - Mar 22 2022

web feb 27 2022 rob evans and michael safi sun 27 feb 2022 12 00 est last modified on sun 27 feb 2022 17 10 est
confidential documents have revealed how the telecoms

8 4 ericsson radio systems ab flylib - Dec 31 2022

web jul 1 2023 ericsson alex library explorer alex is a web based tool that allows you to browse and access the technical documentation for ericsson products alex can

verify dul dus alarms using alex ericsson site - Apr 03 2023

web on your lte oss window click launch application ericsson documentation alex once the alex window is opened follow the same steps in slide no 116 to 119

ericsson manuals and instructions - Oct 09 2023

web ericsson s technical product documentation library provides manuals and descriptions delivered with a product or collection of products to support its use throughout the

ericsson alex documents uniport edu ng - Jan 20 2022

web oct 12 2023 enter the realm of ericsson alex documents a mesmerizing literary masterpiece penned by a distinguished author guiding readers on a profound journey to

ericsson alex library archive wire free alliance - Aug 27 2022

web 3 ericsson alex counter parameter for 3g drop reason view presentation slides online

download pdf alex library ericsson 8jlk7v8qmzn5 - Oct 29 2022

web the installation procedure consists of the following main steps 1 install the ericsson library explorer server see section 2 on page 4 for new installation or section 3 on page 9 for

alex library ericsson pdf computer architecture - Jul 06 2023

web alex is the customer product inventory cpi tool used with the ericsson network it is a large database of libraries operational instructions and documentation on every aspect

ericsson alex counter parameter for 3g drop reason pdf - Jul 26 2022

web mar 24 2015 3 click on the search results link to open the document titled nbapdedicated rncrbscontrollinkdown 4 the document will provide very detailed

how to download and install ericsson alex library explorer - Nov 29 2022

web download alex library ericsson type pdf date december 2019 size 1 1mb author baleanu silviu this document was uploaded by user and they confirmed that they have

ericsson alex library for 18 q4 4g lte telecomhall forum - Jun 05 2023

web dec 26 2022 can anybody help to get ericsson alex library for 18 q4 version thanks advance

installing ericsson library explorer server pdf free download - Sep 27 2022

web hi i dont know if this is shared before but see link for some e alex libs have fun 4shared com account dir 13572638 14ab28f9 sharing html

stream ericsson alex library download by melissa soundcloud - Nov 17 2021

ericsson alex documents assets ceu social - Dec 19 2021

web stream ericsson alex library download by melissa on desktop and mobile play over 320 million tracks for free on soundcloud

alex and explorer 11 aastra ericsson systems tek tips - Feb 01 2023

web mar 18 2014 the executable for alex is copyright ericsson and has never been part of the aastra documentation all documentation amendments to the base library since

revealed leaked files show how ericsson allegedly helped bribe - Feb 18 2022

web oct 15 2023 ericsson alex documents 1 6 downloaded from uniport edu ng on october 15 2023 by guest ericsson alex documents thank you very much for downloading

how to download and install ericsson alex library explorer - May 24 2022

web jun 17 2015 accessing ericsson cpi ericsson cpi can be accessed directly via either of the following links cpistore
internal ericsson com home page

top seven historical sites to visit in barbados - Feb 26 2022

web top seven historical sites to visit in barbados barbados is a beautiful island of only 166 square miles nevertheless it makes up for its small size in the rich caribbean culture and deep historical roots that barbadians are proud to showcase

9 best places to visit in barbados lonely planet - Apr 30 2022

web nov 17 2022 nasha smith nov 17 2022 6 min read from being the birthplace of rum and rihanna to pristine beaches and beautiful cultural traditions here are all the reasons to visit barbados now ingar madrid eyeem via getty images barbados is one of the most visited islands in the caribbean for good reason

barbados travel guide historical cultural sights top 15 - Mar 30 2022

web barbados travel guide this book was written by the author who traveled to barbados and by the local experts this book is not a tourist guide in the usual sense it is a set of useful information for independent travel this information will help you to save your money and time during the barbados trip and even before it starts

19 best cultural things reasons to visit barbados sian victoria - Jul 02 2022

web mar 22 2022 the best cultural things to do and reasons to visit barbados featuring the best beaches places for sightseeing tourist attractions and landmarks and where to eat and stay at luxury beachfront hotels and how to spend a day swimming with turtles above a shipwreck on an all inclusive catamaran cruise

barbados travel guide historical cultural sights top 15 - Jun 13 2023

web oct 25 2019 barbados travel guide historical cultural sights top 15 beaches extreme activity shopping eat drink hotels map 100 travel tips hill patrick on amazon com free shipping on qualifying offers

the top historic sites to visit in barbados historical landmarks - Mar 10 2023

web dec 22 2021 home travel barbados the top historic sites to visit in barbados discover the rich history of barbados at these 10 interesting and important sites across the country charlotte ward 22 dec 2021 located in the east of the caribbean barbados is a beautiful island country famous for its beaches turquoise seas and friendly atmosphere

visit barbados the official barbados tourism guide - Feb 09 2023

web feb 26 2022 surrounded by the crystal clear waters of the caribbean sea barbados has something for every kind of traveller the foodie the explorer the historian and the adventurer from our cuisine to our rum to our unesco world heritage sites your barbados adventure awaits

barbados history culture explore rich caribbean culture - May 12 2023

web surrounded by the crystal clear waters of the caribbean sea barbados has something for every kind of traveller the

foodie the explorer the historian and the adventurer from our cuisine to our rum to our unesco world heritage sites your barbados adventure awaits history and heritage what s in a town oistins

barbados travel guide historical cultural sights top 15 - Jul 14 2023

web barbados travel guide historical cultural sights top 15 beaches extreme activity shopping eat drink hotels map 100 travel tips hill patrick amazon com tr kitap

barbados history culture inspiring travel - Oct 05 2022

web discover the history of barbados as well as some of their most important cultural traditions and customs with barbados travel experts inspiring travel

the 10 best barbados sights historical landmarks tripadvisor - Aug 15 2023

web these are the best hidden gems for sights landmarks in barbados foursquare rum distillery andromeda botanic gardens st nicholas abbey tiyi by design art jewelry studio clifton hall great house see more hidden gem sights

explore barbados unesco world heritage site visit barbados - Apr 11 2023

web take a visual guide and immerce yourself into the heart of our world unesco heritage site bridgetown and its garrison barbados these short videos take you behind the scenes of some of the worlds best kept secrets mercantile bridgetown unesco heritage site

top 5 barbados heritage sites - Nov 06 2022

web barbados is a country with a rich heritage and a wonderful merger of west african british and other influences here are our favourite heritage sites on the island 1 historic bridgetown and it s garrison head to this unesco world heritage site to see the strong british military influence on the island

free travel guide for barbados top sights sustainability history - Sep 04 2022

web jul 5 2021 this top travel blogs guide uses only the best travel blogs to give you everything you need to know about barbados top sights to see best sustainable and environmentally friendly travel spots accommodations culture and festivals historical locations amazing tours and day trips and the best activities and experiences

barbados travel guide historical cultural sights top 15 - Dec 07 2022

web buy barbados travel guide historical cultural sights top 15 beaches extreme activity shopping eat drink hotels map 100 travel tips by hill patrick isbn 9781702483292 from amazon s book store everyday low

17 best things to do in barbados u s news travel - Dec 27 2021

web aug 25 2023 time to spend one of barbados most popular attractions is harrison s cave eco adventure park this limestone cavern features several streams the stream system is estimated to be at least 1 5

barbados travel guide historical cultural sights top - Aug 03 2022

web barbados travel guide this book was written by the author who traveled to barbados and by the barbados travel guide historical cultural sights top 15 beaches extreme activity shopping eat drink hotels map by patrick hill goodreads

11 of the best things to see and do in barbados culture trip - Jan 08 2023

web feb 21 2022 rich in history culturally vibrant and bursting with life you ll find a fascinating unesco world heritage site lively street parties legendary food spots brightly colored roadside rum shops and more for a distinctly bajan experience these are the best things to see and do in barbados

the 10 best barbados historical heritage tours tripadvisor - Jun 01 2022

web top barbados historical heritage tours see reviews and photos of historical heritage tours in barbados caribbean on tripadvisor

amazon com barbados travel guide historical cultural sights - Jan 28 2022

web oct 23 2019 buy barbados travel guide historical cultural sights top 15 beaches extreme activity shopping eat drink hotels map 100 travel tips read kindle store reviews amazon com