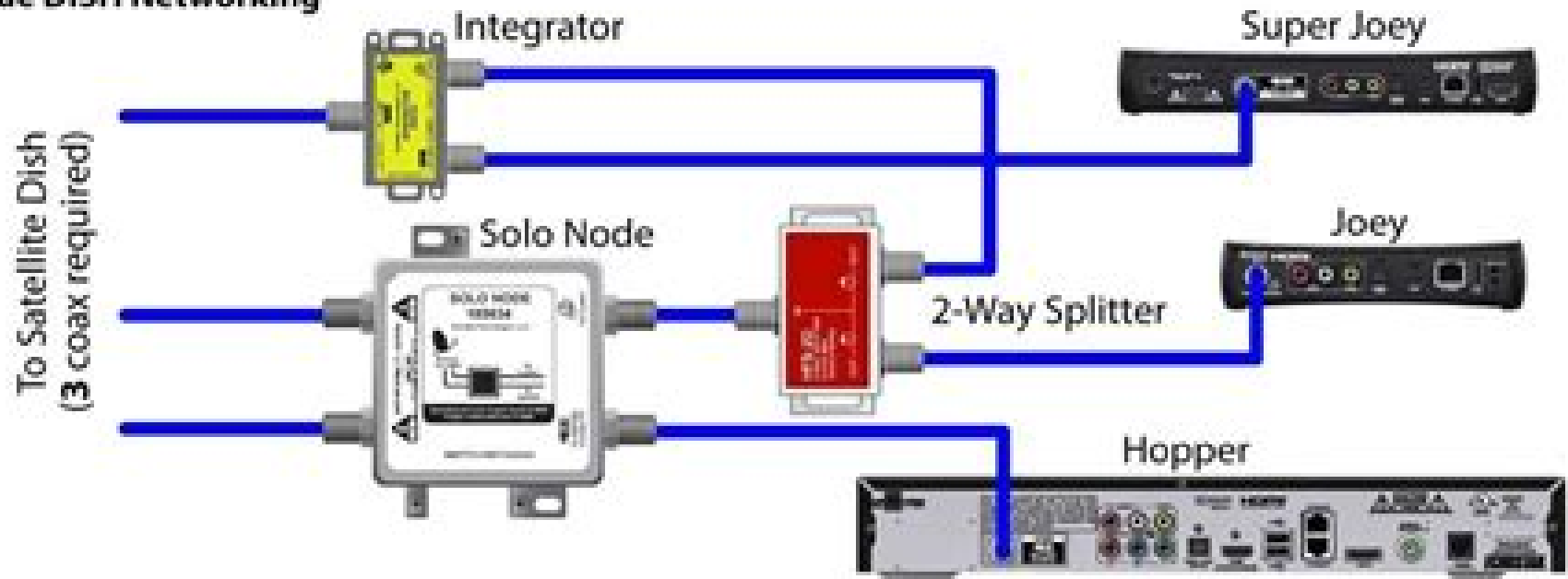
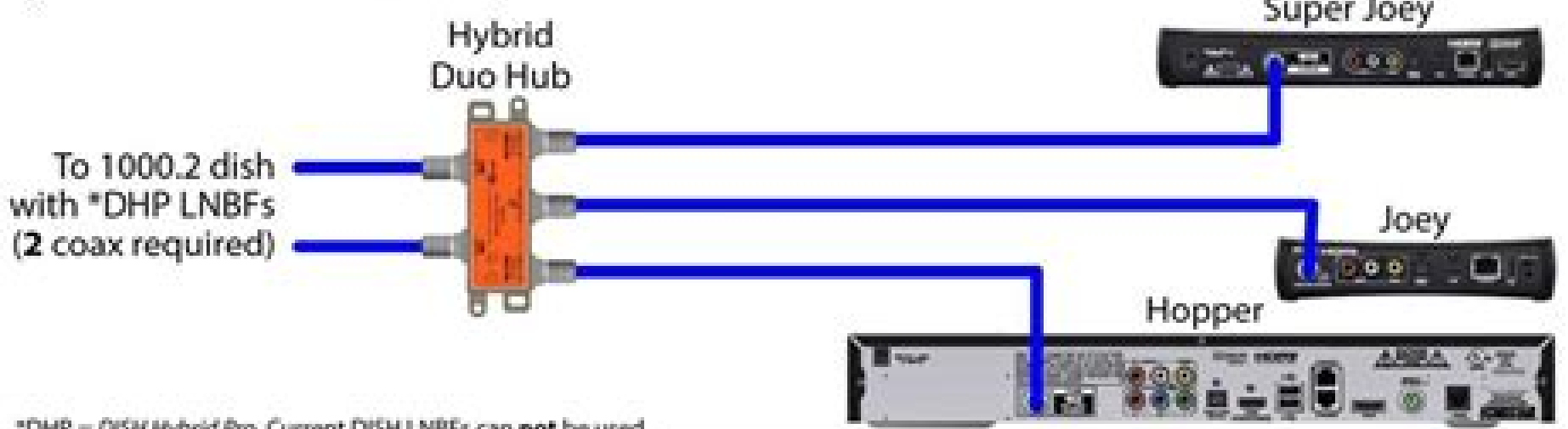


# Hopper & Super Joey DISH Networking – Solo Node (current) vs Hybrid Duo Hub (new)

## Solo Node DISH Networking



## Hybrid Duo Hub DISH Networking



\*DHP = DISH Hybrid Pro. Current DISH LNBFs can **not** be used.

# Hayes Energize Iii Brake Controller Wiring Diagram

**Liyong Dong**



**Hayes Energize Iii Brake Controller Wiring Diagram:**

**Switching Equipment for Power Control** Stephen Quentin Hayes,1927      **Bibliography of Scientific and Industrial Reports** ,1946      **Bibliography of Scientific and Industrial Reports** ,1946

## Decoding **Hayes Energize Iii Brake Controller Wiring Diagram**: Revealing the Captivating Potential of Verbal Expression

In a time characterized by interconnectedness and an insatiable thirst for knowledge, the captivating potential of verbal expression has emerged as a formidable force. Its capability to evoke sentiments, stimulate introspection, and incite profound transformations is genuinely awe-inspiring. Within the pages of "**Hayes Energize Iii Brake Controller Wiring Diagram**," a mesmerizing literary creation penned by way of a celebrated wordsmith, readers attempt an enlightening odyssey, unraveling the intricate significance of language and its enduring effect on our lives. In this appraisal, we shall explore the book's central themes, evaluate its distinctive writing style, and gauge its pervasive influence on the hearts and minds of its readership.

<http://www.armchairempire.com/book/scholarship/Documents/hp%20photosmart%20c6380%20manual.pdf>

### **Table of Contents Hayes Energize Iii Brake Controller Wiring Diagram**

1. Understanding the eBook Hayes Energize Iii Brake Controller Wiring Diagram
  - The Rise of Digital Reading Hayes Energize Iii Brake Controller Wiring Diagram
  - Advantages of eBooks Over Traditional Books
2. Identifying Hayes Energize Iii Brake Controller Wiring Diagram
  - Exploring Different Genres
  - Considering Fiction vs. Non-Fiction
  - Determining Your Reading Goals
3. Choosing the Right eBook Platform
  - Popular eBook Platforms
  - Features to Look for in an Hayes Energize Iii Brake Controller Wiring Diagram
  - User-Friendly Interface
4. Exploring eBook Recommendations from Hayes Energize Iii Brake Controller Wiring Diagram
  - Personalized Recommendations
  - Hayes Energize Iii Brake Controller Wiring Diagram User Reviews and Ratings

- Hayes Energize Iii Brake Controller Wiring Diagram and Bestseller Lists
- 5. Accessing Hayes Energize Iii Brake Controller Wiring Diagram Free and Paid eBooks
  - Hayes Energize Iii Brake Controller Wiring Diagram Public Domain eBooks
  - Hayes Energize Iii Brake Controller Wiring Diagram eBook Subscription Services
  - Hayes Energize Iii Brake Controller Wiring Diagram Budget-Friendly Options
- 6. Navigating Hayes Energize Iii Brake Controller Wiring Diagram eBook Formats
  - ePub, PDF, MOBI, and More
  - Hayes Energize Iii Brake Controller Wiring Diagram Compatibility with Devices
  - Hayes Energize Iii Brake Controller Wiring Diagram Enhanced eBook Features
- 7. Enhancing Your Reading Experience
  - Adjustable Fonts and Text Sizes of Hayes Energize Iii Brake Controller Wiring Diagram
  - Highlighting and Note-Taking Hayes Energize Iii Brake Controller Wiring Diagram
  - Interactive Elements Hayes Energize Iii Brake Controller Wiring Diagram
- 8. Staying Engaged with Hayes Energize Iii Brake Controller Wiring Diagram
  - Joining Online Reading Communities
  - Participating in Virtual Book Clubs
  - Following Authors and Publishers Hayes Energize Iii Brake Controller Wiring Diagram
- 9. Balancing eBooks and Physical Books Hayes Energize Iii Brake Controller Wiring Diagram
  - Benefits of a Digital Library
  - Creating a Diverse Reading Collection Hayes Energize Iii Brake Controller Wiring Diagram
- 10. Overcoming Reading Challenges
  - Dealing with Digital Eye Strain
  - Minimizing Distractions
  - Managing Screen Time
- 11. Cultivating a Reading Routine Hayes Energize Iii Brake Controller Wiring Diagram
  - Setting Reading Goals Hayes Energize Iii Brake Controller Wiring Diagram
  - Carving Out Dedicated Reading Time
- 12. Sourcing Reliable Information of Hayes Energize Iii Brake Controller Wiring Diagram
  - Fact-Checking eBook Content of Hayes Energize Iii Brake Controller Wiring Diagram
  - Distinguishing Credible Sources

13. Promoting Lifelong Learning
  - Utilizing eBooks for Skill Development
  - Exploring Educational eBooks
14. Embracing eBook Trends
  - Integration of Multimedia Elements
  - Interactive and Gamified eBooks

### **Hayes Energize Iii Brake Controller Wiring Diagram Introduction**

In this digital age, the convenience of accessing information at our fingertips has become a necessity. Whether its research papers, eBooks, or user manuals, PDF files have become the preferred format for sharing and reading documents. However, the cost associated with purchasing PDF files can sometimes be a barrier for many individuals and organizations. Thankfully, there are numerous websites and platforms that allow users to download free PDF files legally. In this article, we will explore some of the best platforms to download free PDFs. One of the most popular platforms to download free PDF files is Project Gutenberg. This online library offers over 60,000 free eBooks that are in the public domain. From classic literature to historical documents, Project Gutenberg provides a wide range of PDF files that can be downloaded and enjoyed on various devices. The website is user-friendly and allows users to search for specific titles or browse through different categories. Another reliable platform for downloading Hayes Energize Iii Brake Controller Wiring Diagram free PDF files is Open Library. With its vast collection of over 1 million eBooks, Open Library has something for every reader. The website offers a seamless experience by providing options to borrow or download PDF files. Users simply need to create a free account to access this treasure trove of knowledge. Open Library also allows users to contribute by uploading and sharing their own PDF files, making it a collaborative platform for book enthusiasts. For those interested in academic resources, there are websites dedicated to providing free PDFs of research papers and scientific articles. One such website is Academia.edu, which allows researchers and scholars to share their work with a global audience. Users can download PDF files of research papers, theses, and dissertations covering a wide range of subjects. Academia.edu also provides a platform for discussions and networking within the academic community. When it comes to downloading Hayes Energize Iii Brake Controller Wiring Diagram free PDF files of magazines, brochures, and catalogs, Issuu is a popular choice. This digital publishing platform hosts a vast collection of publications from around the world. Users can search for specific titles or explore various categories and genres. Issuu offers a seamless reading experience with its user-friendly interface and allows users to download PDF files for offline reading. Apart from dedicated platforms, search engines also play a crucial role in finding free PDF files. Google, for instance, has an advanced search feature that allows users to filter results by file type. By specifying

the file type as "PDF," users can find websites that offer free PDF downloads on a specific topic. While downloading Hayes Energize Iii Brake Controller Wiring Diagram free PDF files is convenient, its important to note that copyright laws must be respected. Always ensure that the PDF files you download are legally available for free. Many authors and publishers voluntarily provide free PDF versions of their work, but its essential to be cautious and verify the authenticity of the source before downloading Hayes Energize Iii Brake Controller Wiring Diagram. In conclusion, the internet offers numerous platforms and websites that allow users to download free PDF files legally. Whether its classic literature, research papers, or magazines, there is something for everyone. The platforms mentioned in this article, such as Project Gutenberg, Open Library, Academia.edu, and Issuu, provide access to a vast collection of PDF files. However, users should always be cautious and verify the legality of the source before downloading Hayes Energize Iii Brake Controller Wiring Diagram any PDF files. With these platforms, the world of PDF downloads is just a click away.

### FAQs About Hayes Energize Iii Brake Controller Wiring Diagram Books

**What is a Hayes Energize Iii Brake Controller Wiring Diagram PDF?** A PDF (Portable Document Format) is a file format developed by Adobe that preserves the layout and formatting of a document, regardless of the software, hardware, or operating system used to view or print it. **How do I create a Hayes Energize Iii Brake Controller Wiring Diagram PDF?** There are several ways to create a PDF: Use software like Adobe Acrobat, Microsoft Word, or Google Docs, which often have built-in PDF creation tools. Print to PDF: Many applications and operating systems have a "Print to PDF" option that allows you to save a document as a PDF file instead of printing it on paper. Online converters: There are various online tools that can convert different file types to PDF. **How do I edit a Hayes Energize Iii Brake Controller Wiring Diagram PDF?** Editing a PDF can be done with software like Adobe Acrobat, which allows direct editing of text, images, and other elements within the PDF. Some free tools, like PDFescape or Smallpdf, also offer basic editing capabilities. **How do I convert a Hayes Energize Iii Brake Controller Wiring Diagram PDF to another file format?** There are multiple ways to convert a PDF to another format: Use online converters like Smallpdf, Zamzar, or Adobe Acrobats export feature to convert PDFs to formats like Word, Excel, JPEG, etc. Software like Adobe Acrobat, Microsoft Word, or other PDF editors may have options to export or save PDFs in different formats. **How do I password-protect a Hayes Energize Iii Brake Controller Wiring Diagram PDF?** Most PDF editing software allows you to add password protection. In Adobe Acrobat, for instance, you can go to "File" -> "Properties" -> "Security" to set a password to restrict access or editing capabilities. Are there any free alternatives to Adobe Acrobat for working with PDFs? Yes, there are many free alternatives for working with PDFs, such as: LibreOffice: Offers PDF editing features. PDFsam: Allows splitting, merging, and editing PDFs. Foxit Reader: Provides basic PDF viewing

and editing capabilities. How do I compress a PDF file? You can use online tools like Smallpdf, I LovePDF, or desktop software like Adobe Acrobat to compress PDF files without significant quality loss. Compression reduces the file size, making it easier to share and download. Can I fill out forms in a PDF file? Yes, most PDF viewers/editors like Adobe Acrobat, Preview (on Mac), or various online tools allow you to fill out forms in PDF files by selecting text fields and entering information. Are there any restrictions when working with PDFs? Some PDFs might have restrictions set by their creator, such as password protection, editing restrictions, or print restrictions. Breaking these restrictions might require specific software or tools, which may or may not be legal depending on the circumstances and local laws.

### Find Hayes Energize Iii Brake Controller Wiring Diagram :

[hp photosmart c6380 manual](#)

[hp officejet 6500a user manual](#)

[http free signup book qpol xyz urdu sex stories full book](#)

[hsc question 2014 jessore board](#)

[hp officejet h470 manuals](#)

**hp scanjet 7650 manual**

[hp xw8000 manual](#)

[http new releases book frowq org mtn mb free cheat code](#)

**htc wildfire s user manual**

[hp8500a printer manual](#)

[htc jetstream manual](#)

**hp networking and cisco cli reference guide**

[hsp matemticas below level concept reader collection grade 5 spanish edition](#)

[hr215hxa repair manual](#)

[htc touch manual em portugues](#)

### Hayes Energize Iii Brake Controller Wiring Diagram :

Singer Machine Manuals Find the Manual for your Sewing Machine, Embroidery Machine, Serger/Overlock, Quilting Machine, and More. Singer 2818 Manuals Manuals and User Guides for Singer 2818. We have 4 Singer 2818 manuals available for free PDF download: Service Manual, Manual, Instruction Book · English. 6. Support Printed manuals are no



longer available. For easy access, please enter your model number to view and download your manual. Don't know your model number? Singer 2818 Instruction Manual We've got you covered! This instruction manual is the ultimate guide to unlock the full potential of your Singer 2818. No more confusion or frustration—just ... SINGER® Instruction Manuals for Sewing Machines and ... Find comprehensive instruction manuals for SINGER® range of new & old sewing machines, appliances & accessories. Get the guidance you need for seamless ... Singer Sewing Machine Manuals Singer's Sewing Skills Reference Book (28 MB); Singer's Reference Book for Sewing Skills. Information on your machine, its attachments, and how to use them. Singer 2802 2808 2818 Instruction Manuals or Service & ... Service manual and Parts / Schematics for Singer 2852, 2858, 2868. 2 PDF files: HIGHEST QUALITY CLEAR COPIES of original Singer Service / Repair manual (114 ... Over 350 Free Industrial Sewing Machine Manuals Over 350 Free Industrial Sewing Machine Manuals. Link to Singer domestic machine instruction books - FREE downloads User manual Singer SIMPLE (English - 62 pages) Manual. View the manual for the Singer SIMPLE here, for free. This manual comes under the category sewing machines and has been rated by 30 people with an ... HOW TO DOWNLOAD FREE SINGER SEWING MACHINE ... Teaching Methods: John Fleming - explicit instruction ... John's an advocate for the explicit instruction teaching method and has worked as a consultant in schools across Australia teaching strategies to educators. Teaching Methods Episode 1: Explicit instruction with John ... Jun 6, 2014 — Interviewee biography: John Fleming began his teaching career at Greenbrook Primary in 1977. During his time as Assistant Principal and ... The Fleming Model The Fleming Effective Teaching Model advocates for more explicit, direct teaching as opposed to the dominant, inquiry based teaching methods of today. Direct Instruction, Explicit Teaching, Mastery Learning and ... Jul 23, 2021 — Explicit Direct Instruction (EDI) was developed by John Hollingsworth and Dr Silvia Ybarra in the early 2000s. It is based on educational theory ... Explicit instruction myths and strategies - FUSE Feb 26, 2021 — John is an advocate for explicit teaching. John provides strategies for leaders at a whole school level irrespective of student age or stage ... John Fleming Explicit Teaching Warm Ups Oct 7, 2022 — A proven method for better teaching, better learning, and better test scores! This teacher-friendly book presents a step-by-step approach for. 26 Explicit teaching john fleming ideas - Pinterest The I Do WE Do YOU Do Model Explained - Evidence-Based Teaching · Instructional Strategies · Learning Strategies ; Teaching Methods: John Fleming - explicit ... The Five Secrets to Teaching Great Writing John Fleming (2014, 2015) says that 'for any learning activity to be effective it has to be taught step by step'. Using explicit instruction techniques in the ... "Teaching Methods: John Fleming - explicit instruction myths ... by D Meloney · 2015 · Cited by 2 — Want to use explicit instruction in the classroom but aren't sure how to approach it? Teacher asked John Fleming for some tips. FNQ Explicit Teaching Guidelines The FNQ Regional Explicit Teaching Model provides a common starting point. It is recommended that those new to ... John Fleming, FNQ Educational Consultant. Principles Of Radiographic Imaging 6th Edition Textbook ... Access Principles of Radiographic Imaging 6th Edition solutions now. Our solutions are written by Chegg experts so you can

be assured of the highest ... Chapters 1 Radiographic Principles Workbook Questions What is the image receptor in direct digital radiography? A. Phosphor imaging plate. B. Intensifying screen and film. C. Solid -state detector. D.computer ... Chapter 12 Principles of Radiographic Imaging Review ... Study with Quizlet and memorize flashcards containing terms like For radiographic procedures, scatter radiation is primarily the result of: photoelectric ... Test Bank for Principles of Radiographic Imaging 6th ... Apr 4, 2022 — Test Bank for Principles of Radiographic Imaging 6th Edition by Carlton. Course; NURSING 1210. Institution; University Of California - Los ... Principles Of Radiographic Imaging: An Art And A Science Textbook solutions for Principles Of Radiographic Imaging: An Art And A Science... 6th Edition Richard R. Carlton and others in this series. Student Workbook for Carlton/Adler/Balac's Principles of ... Student Workbook for Carlton/Adler/Balac's Principles of Radiographic Imaging: An Art and A Science | 6th Edition ; Access the eBook \$67.95 ; ISBN · 9780357771525. Chapter 20 Solutions - Principles of Radiographic Imaging Access Principles of Radiographic Imaging 6th Edition Chapter 20 solutions now. Our solutions are written by Chegg experts so you can be assured of the ... Test Bank For Principles of Radiographic Imaging: An Art ... Jul 18, 2023 — Test Bank For Principles of Radiographic Imaging: An Art and a Science - 6th - Test Bank For Principles of Radiographic Imaging 6th ... five. ANSWER: b. POINTS: 1. DIFFICULTY: Medium QUESTION TYPE: Multiple Choice HAS VARIABLES: False DATE CREATED: 2/4 ... Student Workbook for Carlton/Adler/Balac's Principles ... The student workbook is designed to help you retain key chapter content. Chapter objective questions, key terms and definitions, and a variety of question ...