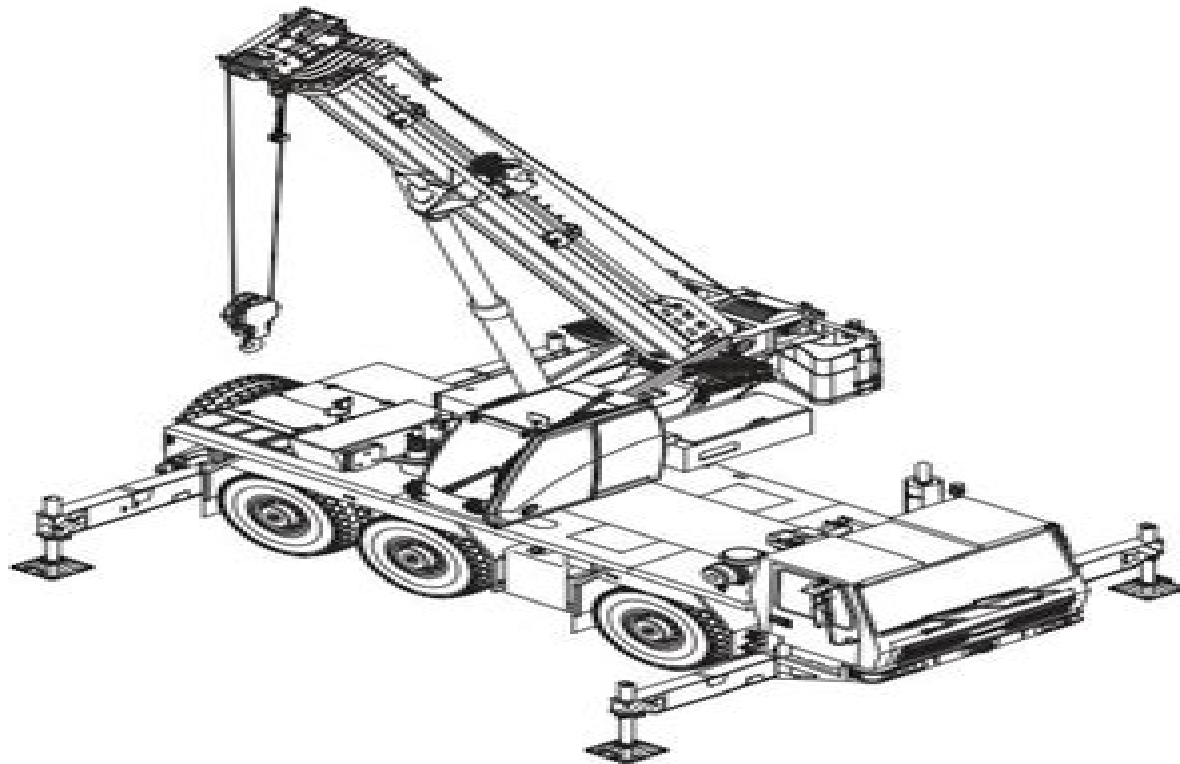


GROVE.

GMK3055



Operating instructions Part 1 Driving

Serial number

2 084 849 en
25.02.2004

Grove Crane Operation Manual 24

Hongru Du



Grove Crane Operation Manual 24:

Delve into the emotional tapestry woven by in Dive into the Emotion of **Grove Crane Operation Manual 24** . This ebook, available for download in a PDF format (*), is more than just words on a page; it's a journey of connection and profound emotion. Immerse yourself in narratives that tug at your heartstrings. Download now to experience the pulse of each page and let your emotions run wild.

<http://www.armchairempire.com/About/virtual-library/fetch.php/Grammatica%20Di%20Giapponese%20Moderno.pdf>

Table of Contents Grove Crane Operation Manual 24

1. Understanding the eBook Grove Crane Operation Manual 24
 - The Rise of Digital Reading Grove Crane Operation Manual 24
 - Advantages of eBooks Over Traditional Books
2. Identifying Grove Crane Operation Manual 24
 - Exploring Different Genres
 - Considering Fiction vs. Non-Fiction
 - Determining Your Reading Goals
3. Choosing the Right eBook Platform
 - Popular eBook Platforms
 - Features to Look for in an Grove Crane Operation Manual 24
 - User-Friendly Interface
4. Exploring eBook Recommendations from Grove Crane Operation Manual 24
 - Personalized Recommendations
 - Grove Crane Operation Manual 24 User Reviews and Ratings
 - Grove Crane Operation Manual 24 and Bestseller Lists
5. Accessing Grove Crane Operation Manual 24 Free and Paid eBooks
 - Grove Crane Operation Manual 24 Public Domain eBooks
 - Grove Crane Operation Manual 24 eBook Subscription Services
 - Grove Crane Operation Manual 24 Budget-Friendly Options

6. Navigating Grove Crane Operation Manual 24 eBook Formats
 - ePub, PDF, MOBI, and More
 - Grove Crane Operation Manual 24 Compatibility with Devices
 - Grove Crane Operation Manual 24 Enhanced eBook Features
7. Enhancing Your Reading Experience
 - Adjustable Fonts and Text Sizes of Grove Crane Operation Manual 24
 - Highlighting and Note-Taking Grove Crane Operation Manual 24
 - Interactive Elements Grove Crane Operation Manual 24
8. Staying Engaged with Grove Crane Operation Manual 24
 - Joining Online Reading Communities
 - Participating in Virtual Book Clubs
 - Following Authors and Publishers Grove Crane Operation Manual 24
9. Balancing eBooks and Physical Books Grove Crane Operation Manual 24
 - Benefits of a Digital Library
 - Creating a Diverse Reading Collection Grove Crane Operation Manual 24
10. Overcoming Reading Challenges
 - Dealing with Digital Eye Strain
 - Minimizing Distractions
 - Managing Screen Time
11. Cultivating a Reading Routine Grove Crane Operation Manual 24
 - Setting Reading Goals Grove Crane Operation Manual 24
 - Carving Out Dedicated Reading Time
12. Sourcing Reliable Information of Grove Crane Operation Manual 24
 - Fact-Checking eBook Content of Grove Crane Operation Manual 24
 - Distinguishing Credible Sources
13. Promoting Lifelong Learning
 - Utilizing eBooks for Skill Development
 - Exploring Educational eBooks
14. Embracing eBook Trends
 - Integration of Multimedia Elements

- Interactive and Gamified eBooks

Grove Crane Operation Manual 24 Introduction

In this digital age, the convenience of accessing information at our fingertips has become a necessity. Whether its research papers, eBooks, or user manuals, PDF files have become the preferred format for sharing and reading documents. However, the cost associated with purchasing PDF files can sometimes be a barrier for many individuals and organizations. Thankfully, there are numerous websites and platforms that allow users to download free PDF files legally. In this article, we will explore some of the best platforms to download free PDFs. One of the most popular platforms to download free PDF files is Project Gutenberg. This online library offers over 60,000 free eBooks that are in the public domain. From classic literature to historical documents, Project Gutenberg provides a wide range of PDF files that can be downloaded and enjoyed on various devices. The website is user-friendly and allows users to search for specific titles or browse through different categories. Another reliable platform for downloading Grove Crane Operation Manual 24 free PDF files is Open Library. With its vast collection of over 1 million eBooks, Open Library has something for every reader. The website offers a seamless experience by providing options to borrow or download PDF files. Users simply need to create a free account to access this treasure trove of knowledge. Open Library also allows users to contribute by uploading and sharing their own PDF files, making it a collaborative platform for book enthusiasts. For those interested in academic resources, there are websites dedicated to providing free PDFs of research papers and scientific articles. One such website is Academia.edu, which allows researchers and scholars to share their work with a global audience. Users can download PDF files of research papers, theses, and dissertations covering a wide range of subjects. Academia.edu also provides a platform for discussions and networking within the academic community. When it comes to downloading Grove Crane Operation Manual 24 free PDF files of magazines, brochures, and catalogs, Issuu is a popular choice. This digital publishing platform hosts a vast collection of publications from around the world. Users can search for specific titles or explore various categories and genres. Issuu offers a seamless reading experience with its user-friendly interface and allows users to download PDF files for offline reading. Apart from dedicated platforms, search engines also play a crucial role in finding free PDF files. Google, for instance, has an advanced search feature that allows users to filter results by file type. By specifying the file type as "PDF," users can find websites that offer free PDF downloads on a specific topic. While downloading Grove Crane Operation Manual 24 free PDF files is convenient, its important to note that copyright laws must be respected. Always ensure that the PDF files you download are legally available for free. Many authors and publishers voluntarily provide free PDF versions of their work, but its essential to be cautious and verify the authenticity of the source before downloading Grove Crane Operation Manual 24. In conclusion, the internet offers numerous platforms and websites that allow users to download free PDF files legally. Whether its classic

literature, research papers, or magazines, there is something for everyone. The platforms mentioned in this article, such as Project Gutenberg, Open Library, Academia.edu, and Issuu, provide access to a vast collection of PDF files. However, users should always be cautious and verify the legality of the source before downloading Grove Crane Operation Manual 24 any PDF files. With these platforms, the world of PDF downloads is just a click away.

FAQs About Grove Crane Operation Manual 24 Books

1. Where can I buy Grove Crane Operation Manual 24 books? Bookstores: Physical bookstores like Barnes & Noble, Waterstones, and independent local stores. Online Retailers: Amazon, Book Depository, and various online bookstores offer a wide range of books in physical and digital formats.
2. What are the different book formats available? Hardcover: Sturdy and durable, usually more expensive. Paperback: Cheaper, lighter, and more portable than hardcovers. E-books: Digital books available for e-readers like Kindle or software like Apple Books, Kindle, and Google Play Books.
3. How do I choose a Grove Crane Operation Manual 24 book to read? Genres: Consider the genre you enjoy (fiction, non-fiction, mystery, sci-fi, etc.). Recommendations: Ask friends, join book clubs, or explore online reviews and recommendations. Author: If you like a particular author, you might enjoy more of their work.
4. How do I take care of Grove Crane Operation Manual 24 books? Storage: Keep them away from direct sunlight and in a dry environment. Handling: Avoid folding pages, use bookmarks, and handle them with clean hands. Cleaning: Gently dust the covers and pages occasionally.
5. Can I borrow books without buying them? Public Libraries: Local libraries offer a wide range of books for borrowing. Book Swaps: Community book exchanges or online platforms where people exchange books.
6. How can I track my reading progress or manage my book collection? Book Tracking Apps: Goodreads, LibraryThing, and Book Catalogue are popular apps for tracking your reading progress and managing book collections. Spreadsheets: You can create your own spreadsheet to track books read, ratings, and other details.
7. What are Grove Crane Operation Manual 24 audiobooks, and where can I find them? Audiobooks: Audio recordings of books, perfect for listening while commuting or multitasking. Platforms: Audible, LibriVox, and Google Play Books offer a wide selection of audiobooks.
8. How do I support authors or the book industry? Buy Books: Purchase books from authors or independent bookstores. Reviews: Leave reviews on platforms like Goodreads or Amazon. Promotion: Share your favorite books on social media

or recommend them to friends.

9. Are there book clubs or reading communities I can join? Local Clubs: Check for local book clubs in libraries or community centers. Online Communities: Platforms like Goodreads have virtual book clubs and discussion groups.
10. Can I read Grove Crane Operation Manual 24 books for free? Public Domain Books: Many classic books are available for free as they're in the public domain. Free E-books: Some websites offer free e-books legally, like Project Gutenberg or Open Library.

Find Grove Crane Operation Manual 24 :

[grammatica di giapponese moderno](#)

grade 5 taks released tests

[grade 12 june geography paper 1](#)

grand atlas merveilles du monde

gradesaver tm classicnotes poes short stories study guide

[grading history essay rubric](#)

grammar usage and mechanics

~~gps drive motionx manual~~

~~grade username password~~

~~gp220 deutz fahr manual~~

gramemo ultra pratiques am liorer imm diatement grammaire ebook

[grade 12 afrikaans study guide](#)

[grade 10 accounting exam papers 2012](#)

[grande catherine potemkine simon montefiore](#)

[grade 12 advance function solution manual](#)

Grove Crane Operation Manual 24 :

The Human Tradition in the New South (The Human ... - Amazon The Human Tradition in the New South (The Human Tradition in America) [Klotter, James C., Anderson, David M., Conkin, Paul K., Cook, Cita, Davis, ... The Human Tradition in the New South - Barnes & Noble In The Human Tradition in the New South, historian James C. Klotter brings together twelve biographical essays that explore the region's political, Amazon.com: The Human Tradition in the New South (The ...

Amazon.com: The Human Tradition in the New South (The Human Tradition in America): 9780742544765: Klotter, James C., Anderson, David L., Conkin, Paul K., ... The Human Tradition in the New South by James C. Klotter In The Human Tradition in the New South, historian James C. Klotter brings together twelve biographical essays that explore the region's political, The Human Tradition in the New South book by James C. Klotter In The Human Tradition in the New South, historian James C. Klotter brings together twelve biographical essays that explore the region's political, ... The Human Tradition in the New South - Books-A-Million The Human Tradition in the New South | In The Human Tradition in the New South, historian James C. Klotter brings together twelve biographical essays that ... The Human Tradition in the New South [Premium Leather The Human Tradition in the New South, historian James C. Klotter brings together twelve biographical essays that explore the region's political, economic ... The Human Tradition in the New South by James C. Klotter Jan 1, 2005 — Read reviews from the world's largest community for readers. In The Human Tradition in the New South, historian James C. Klotter brings ... The Human Tradition in the New South by James C Klotter: New ... The Human Tradition in the New South by James C Klotter: New. Be the first to write a review. alibrisbooks 98.7% Positive feedback. The Human Tradition in the New South eBook by David L ... In The Human Tradition in the New South, historian James C. Klotter brings together twelve biographical essays that explore the region's political, ... Essential Further Mathematics Fourth Edition... by Jones ... The Further Mathematics 3rd Edition Teacher CD-ROM contains a wealth of time-saving assessment and classroom resources including: modifiable chapter tests ... Essential Further Mathematics 4th Edition Enhanced TI-N/ ... New in the Essential Further Mathematics 4th Edition Enhanced TI-N/CP Version: Integrated CAS calculator explanations, examples and problems have been ... Essential Further Mathematics Fourth Edition Enhanced ... Essential Further Mathematics Fourth Edition Enhanced Tin/Cp Version Interactive Textbook. by Peter Jones and Michael Evans and Kay Lipson. 0.0. No Ratings ... Cambridge Essential Further Mathematics 4th Edition PDF Cambridge Essential Further Mathematics 4th Edition.pdf - Free ebook download as PDF File (.pdf), Text File (.txt) or read book online for free. Essential Further Mathematics Fourth Edition Enhanced ... Buy Essential Further Mathematics Fourth Edition Enhanced TIN/CP Version Essential Mathematics , Pre-Owned Paperback 1107655900 9781107655904 Peter Jones, ... Essential Further Mathematics Fourth Edition Enhanced ... Essential Further Mathematics Fourth Edition Enhanced TIN/CP Version (Essential Mathematics) - Softcover. Jones, Peter; Evans, Michael; Lipson, Kay. Engineering Mathematics, 4th ed.pdf bers, statistics, differential calculus, integral calculus and further number and algebra. This new edition will cover the following syllabuses: (i) ... applied-mathematics-by-david-logan-4th-edition.pdf The fourth edition of Applied Mathematics shares the same goals, philosophy, and style as its predecessors—to introduce key ideas about mathematical. Essential Mathematics for the Australian Curriculum Year 9 ... The online version of the student text delivers a host of interactive features to enhance the teaching and learning experience, and when connected to a class ... Een ongewoon gesprek met God, Neale Donald Walsch Een ongewoon gesprek met God

(Paperback). Eén van de allergrootste bestsellers in de geschiedenis. In 1992 schreef Neale Donald Walsch ontevreden en... Ongewoon Gesprek Met God - Boeken Ongewoon Gesprek Met God (Paperback). De auteur beschrijft in dit boek de goede gesprekken die hij rechtstreeks met God gehad heeft. Ze gaan over de... EEN Ongewoon Gesprek Met GOD — Reader Q&A Pooja Any way is God's way. God speaks to human consciousness through ways that are beyond limits. If the presence of Christ is the way for you, so be it, ... Een ongewoon gesprek met God: het boek dat je leven zal ... Een ongewoon gesprek met God: het boek dat je leven zal veranderen [Neale Donald Walsch] on Amazon.com. *FREE* shipping on qualifying offers. een ongewoon gesprek met - god - Het Onpersoonlijke Leven Andere boeken van Neale Donald Walsch, uitgegeven door. Kosmos-Z&K Uitgevers, Utrecht/Antwerpen: Het werkboek bij Een ongewoon gesprek met God. Een Ongewoon Gesprek Met God by Neale Donald Walsch VAN DAG TOT DAG - Meditaties uit Een ongewoon gesprek met God. by Walsch, Neale Donald and a great selection of related books, art and collectibles ... Een ongewoon gesprek met God (Storytel Luisterboek) Conversations With God : An Uncommon Dialogue (Book 2) God and Neale have a conversation about the Catholic Church, about how committing venial sins sent one to Purgatory and how an unbaptized child went to Limbo. Gesprekken met God Het eerste deel van de 'Gesprekken met God'-serie, Een ongewoon gesprek met God, werd in 1995 uitgebracht. Aanleiding bewerken. In een interview met Larry ... Een ongewoon gesprek met God - Neale Donald Walsch Specificaties · Auteur: Neale Donald Walsch · Uitgever: VBK Media · ISBN: 9789021593814 · Bindwijze: Paperback · Aantal Pagina's: 208 · Rubriek: Spiritualiteit ...