



PRICE PUMP Installation, Operating, and Maintenance Manual

Type XJ/JB Series

Caution:
Before installing,
repairing or performing
maintenance on this
pump, read these
instructions completely.

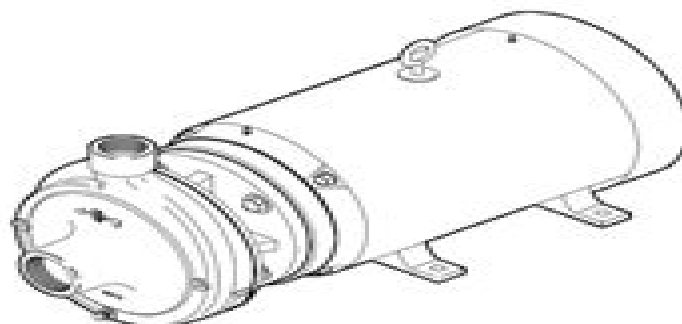
Installation Electrical

WARNING!
Ground motor before
connecting to electrical
power supply! Failure to
ground motor can cause
severe or fatal electrical
shock hazard!

**Do not ground to gas
supply line!**

**Disconnect power to
motor before working on
motor or pump!**

**Match voltage to
nameplate voltage on
motor. Incorrect voltage
can cause fire or seriously
damage motor, voiding
warranty.**



Close Coupled - Motor Pumps

These pumps require no special care in mounting, although it is suggested that they be firmly bolted to a level surface. Adequate air movement over motor will help prevent overloads.

Power Frame Mounted Pumps

These pumps must be mounted on a rigid steel base that will not warp or flex. Each pump must be mounted such that the pump shaft centerline is on center with the driver shaft centerline. Pads and/or shims will be required on either pump, driver or both. The two shafts should not touch each other and the distance between them depends on the coupling used to connect them. Misalignment will cause bearing failure and void warranty. Pumps are rough aligned at the factory but must be realigned after shipment and installation. Pulley driven pumps must have pulleys in line and good belt tightness practices followed.

Manuals To Repair Unit Pump Xj 70t

LM Reder



Manuals To Repair Unit Pump Xj 70t:

Motor Imported Car Repair Manual ,1983 *Autocar* ,2005 *Cars & Parts* ,1990 *Title List of Documents Made Publicly Available* U.S. Nuclear Regulatory Commission,1985 **Domestic Engineering** ,1970 *Field & Stream* ,2006-05
FIELD STREAM America s largest outdoor sports magazine celebrates the outdoor experience with great stories compelling photography and sound advice while honoring the traditions hunters and fishermen have passed down for generations
The Motor ,1975 **Engineering Materials and Design** ,1975 **Car and Driver** ,1981 Automotive Daily News ,1964-10 *Sea Technology* ,1995 **Science Citation Index** ,1992 Vols for 1964 have guides and journal lists
Instructions for the Operation, Care, and Repair of Pumps, Reprint of Chapter 14 of the Manual of Engineering Instructions, Revised to January 1925 United States. Navy Department. Bureau of Engineering,1925 **Jeep Grand Cherokee Automotive Repair Manual** Larry Warren,John Harold Haynes,2000 Models covered all Jeep Grand Cherokee models 1993 through 2000 **Jeep Cherokee & Comanche** Bob Henderson,John Harold Haynes,1991 Haynes Repair Manual *Service and Maintenance Manual for Pesco Pressure Loaded Gear Type Hydraulic Pumps* Pump Engineering Service Corporation, Cleveland,1943

Embark on a transformative journey with is captivating work, Grab Your Copy of **Manuals To Repair Unit Pump Xj 70t** . This enlightening ebook, available for download in a convenient PDF format PDF Size: , invites you to explore a world of boundless knowledge. Unleash your intellectual curiosity and discover the power of words as you dive into this riveting creation. Download now and elevate your reading experience to new heights .

http://www.armchairempire.com/book/scholarship/Download_PDFS/Lawson_Activity_Accounting_User_Manual.pdf

Table of Contents Manuals To Repair Unit Pump Xj 70t

1. Understanding the eBook Manuals To Repair Unit Pump Xj 70t
 - The Rise of Digital Reading Manuals To Repair Unit Pump Xj 70t
 - Advantages of eBooks Over Traditional Books
2. Identifying Manuals To Repair Unit Pump Xj 70t
 - Exploring Different Genres
 - Considering Fiction vs. Non-Fiction
 - Determining Your Reading Goals
3. Choosing the Right eBook Platform
 - Popular eBook Platforms
 - Features to Look for in an Manuals To Repair Unit Pump Xj 70t
 - User-Friendly Interface
4. Exploring eBook Recommendations from Manuals To Repair Unit Pump Xj 70t
 - Personalized Recommendations
 - Manuals To Repair Unit Pump Xj 70t User Reviews and Ratings
 - Manuals To Repair Unit Pump Xj 70t and Bestseller Lists
5. Accessing Manuals To Repair Unit Pump Xj 70t Free and Paid eBooks
 - Manuals To Repair Unit Pump Xj 70t Public Domain eBooks
 - Manuals To Repair Unit Pump Xj 70t eBook Subscription Services
 - Manuals To Repair Unit Pump Xj 70t Budget-Friendly Options

6. Navigating Manuals To Repair Unit Pump Xj 70t eBook Formats
 - ePub, PDF, MOBI, and More
 - Manuals To Repair Unit Pump Xj 70t Compatibility with Devices
 - Manuals To Repair Unit Pump Xj 70t Enhanced eBook Features
7. Enhancing Your Reading Experience
 - Adjustable Fonts and Text Sizes of Manuals To Repair Unit Pump Xj 70t
 - Highlighting and Note-Taking Manuals To Repair Unit Pump Xj 70t
 - Interactive Elements Manuals To Repair Unit Pump Xj 70t
8. Staying Engaged with Manuals To Repair Unit Pump Xj 70t
 - Joining Online Reading Communities
 - Participating in Virtual Book Clubs
 - Following Authors and Publishers Manuals To Repair Unit Pump Xj 70t
9. Balancing eBooks and Physical Books Manuals To Repair Unit Pump Xj 70t
 - Benefits of a Digital Library
 - Creating a Diverse Reading Collection Manuals To Repair Unit Pump Xj 70t
10. Overcoming Reading Challenges
 - Dealing with Digital Eye Strain
 - Minimizing Distractions
 - Managing Screen Time
11. Cultivating a Reading Routine Manuals To Repair Unit Pump Xj 70t
 - Setting Reading Goals Manuals To Repair Unit Pump Xj 70t
 - Carving Out Dedicated Reading Time
12. Sourcing Reliable Information of Manuals To Repair Unit Pump Xj 70t
 - Fact-Checking eBook Content of Manuals To Repair Unit Pump Xj 70t
 - Distinguishing Credible Sources
13. Promoting Lifelong Learning
 - Utilizing eBooks for Skill Development
 - Exploring Educational eBooks
14. Embracing eBook Trends
 - Integration of Multimedia Elements

- Interactive and Gamified eBooks

Manuals To Repair Unit Pump Xj 70t Introduction

Free PDF Books and Manuals for Download: Unlocking Knowledge at Your Fingertips In today's fast-paced digital age, obtaining valuable knowledge has become easier than ever. Thanks to the internet, a vast array of books and manuals are now available for free download in PDF format. Whether you are a student, professional, or simply an avid reader, this treasure trove of downloadable resources offers a wealth of information, conveniently accessible anytime, anywhere. The advent of online libraries and platforms dedicated to sharing knowledge has revolutionized the way we consume information. No longer confined to physical libraries or bookstores, readers can now access an extensive collection of digital books and manuals with just a few clicks. These resources, available in PDF, Microsoft Word, and PowerPoint formats, cater to a wide range of interests, including literature, technology, science, history, and much more. One notable platform where you can explore and download free Manuals To Repair Unit Pump Xj 70t PDF books and manuals is the internet's largest free library. Hosted online, this catalog compiles a vast assortment of documents, making it a veritable goldmine of knowledge. With its easy-to-use website interface and customizable PDF generator, this platform offers a user-friendly experience, allowing individuals to effortlessly navigate and access the information they seek. The availability of free PDF books and manuals on this platform demonstrates its commitment to democratizing education and empowering individuals with the tools needed to succeed in their chosen fields. It allows anyone, regardless of their background or financial limitations, to expand their horizons and gain insights from experts in various disciplines. One of the most significant advantages of downloading PDF books and manuals lies in their portability. Unlike physical copies, digital books can be stored and carried on a single device, such as a tablet or smartphone, saving valuable space and weight. This convenience makes it possible for readers to have their entire library at their fingertips, whether they are commuting, traveling, or simply enjoying a lazy afternoon at home. Additionally, digital files are easily searchable, enabling readers to locate specific information within seconds. With a few keystrokes, users can search for keywords, topics, or phrases, making research and finding relevant information a breeze. This efficiency saves time and effort, streamlining the learning process and allowing individuals to focus on extracting the information they need. Furthermore, the availability of free PDF books and manuals fosters a culture of continuous learning. By removing financial barriers, more people can access educational resources and pursue lifelong learning, contributing to personal growth and professional development. This democratization of knowledge promotes intellectual curiosity and empowers individuals to become lifelong learners, promoting progress and innovation in various fields. It is worth noting that while accessing free Manuals To Repair Unit Pump Xj 70t PDF books and manuals is convenient and cost-effective, it is vital to respect copyright laws and intellectual property rights. Platforms offering free downloads often operate within legal

boundaries, ensuring that the materials they provide are either in the public domain or authorized for distribution. By adhering to copyright laws, users can enjoy the benefits of free access to knowledge while supporting the authors and publishers who make these resources available. In conclusion, the availability of Manuals To Repair Unit Pump Xj 70t free PDF books and manuals for download has revolutionized the way we access and consume knowledge. With just a few clicks, individuals can explore a vast collection of resources across different disciplines, all free of charge. This accessibility empowers individuals to become lifelong learners, contributing to personal growth, professional development, and the advancement of society as a whole. So why not unlock a world of knowledge today? Start exploring the vast sea of free PDF books and manuals waiting to be discovered right at your fingertips.

FAQs About Manuals To Repair Unit Pump Xj 70t Books

How do I know which eBook platform is the best for me? Finding the best eBook platform depends on your reading preferences and device compatibility. Research different platforms, read user reviews, and explore their features before making a choice. Are free eBooks of good quality? Yes, many reputable platforms offer high-quality free eBooks, including classics and public domain works. However, make sure to verify the source to ensure the eBook credibility. Can I read eBooks without an eReader? Absolutely! Most eBook platforms offer web-based readers or mobile apps that allow you to read eBooks on your computer, tablet, or smartphone. How do I avoid digital eye strain while reading eBooks? To prevent digital eye strain, take regular breaks, adjust the font size and background color, and ensure proper lighting while reading eBooks. What the advantage of interactive eBooks? Interactive eBooks incorporate multimedia elements, quizzes, and activities, enhancing the reader engagement and providing a more immersive learning experience. Manuals To Repair Unit Pump Xj 70t is one of the best book in our library for free trial. We provide copy of Manuals To Repair Unit Pump Xj 70t in digital format, so the resources that you find are reliable. There are also many Ebooks of related with Manuals To Repair Unit Pump Xj 70t. Where to download Manuals To Repair Unit Pump Xj 70t online for free? Are you looking for Manuals To Repair Unit Pump Xj 70t PDF? This is definitely going to save you time and cash in something you should think about.

Find Manuals To Repair Unit Pump Xj 70t :

[lawson activity accounting user manual](#)

laura te ves muy cansada

law as institutional normative order

lead4ward test blueprint

learn to quilt as you go 14 projects you can finish fast

le bicarbonate malin le bicarbonate malin

lean for the process industries dealing with complexity

le balene lo sanno viaggio nella california messicana

learn lotus domino a guide for notes developers

leadership training manual template word

leader oscilloscopes user guide

laws stories narrative and rhetoric in the law

lc135-modified

lean in women work and the will to lead

leaguer lathom lancashire classic reprint

Manuals To Repair Unit Pump Xj 70t :

le chemin de la nature youtube - Aug 22 2022

web ce guide de terrain invite à la découverte de plus de 250 fruits baies graines feuilles et jeunes pousses tiges racines herbes algues et champignons poussant à l'état

les fruits et baies sauvages comestibles survivre à la nature - May 19 2022

web jul 9 2017 un guide de terrain indispensable pour la découverte l'identification et la dégustation des nombreuses plantes sauvages comestibles qu'offre la nature sur les

le chemin de la nature botanique herboristerie - Jul 01 2023

web apr 1 2022 de prairies en sous bois huit plantes sauvages comestibles nous livrent quelques idées de recettes bien de saison

calaméo la nature comestible - Feb 13 2022

web lerouyer les a un peu travaillés au corps Ça se voit non vous connaissez le capitaine un peu lourdaud mais efficace dans l'intercostal ce qu'en pense la

la nature comestible cyberlab sutd edu sg - Nov 24 2022

web un guide de terrain indispensable pour la découverte l'identification et la dégustation des nombreuses plantes sauvages comestibles qu'offre la nature sur les côtes dans les

14 plantes sauvages comestibles guide pratique - Oct 04 2023

web nous côtoyons au quotidien de nombreuses plantes sauvages comestibles sans forcément les connaître guide succinct pour vous donner envie de les découvrir

[amazon fr la nature comestible burrows ian livres](#) - Mar 29 2023

web la nature comestible medicinal cookery apr 02 2020 dale pinnock explains how the healing power of foods stretches even beyond the realms of vitamins and minerals and

la nature comestible - Jan 27 2023

web la nature comestible sep 06 2023 un guide de terrain indispensable pour la découverte l identification et la dégustation des nombreuses plantes sauvages comestibles qu offre

[la nature comestible cyberlab sutd edu sg](#) - Oct 24 2022

web le chemin de la nature vous propose des centaines de vidéos gratuites et accessibles pour découvrir les plantes comestibles médicinales et les champignons de façon simple

des recettes de la nature pour manger le paysage - Feb 25 2023

web tous nos évènements sorties botaniques autour des les plantes sauvages comestibles et médicinales ateliers et formations d herboristerie familiale cuisine sauvage bivouac en

la nature comestible télécharger des magazines journaux et - Nov 12 2021

[la nature comestible broché ian burrows achat livre fnac](#) - Jun 19 2022

web feb 17 2020 ce guide la nature comestible invite à la découverte de plus de 250 fruits baies graines feuilles et jeunes pousses tiges racines herbes algues et

nature comestible occitanie herboristerie remèdes de grande - Dec 26 2022

web la nature comestible jul 01 2023 un guide de terrain indispensable pour la découverte l identification et la dégustation des nombreuses plantes sauvages comestibles qu offre la nature sur les côtes dans les champs les forêts les jardins les haies et même les friches le promeneur rencontre de nombreuses plantes comestibles à

16 recettes à base de plantes sauvages comestibles la - Apr 29 2023

web oct 30 2023 recettes de la nature arpenter le paysage de jill cousin anne claire héraud darius chapuis claire peresotti éd tana 2023 30 euros le livre de jill

[la nature comestible ian burrows librairie eyrolles](#) - Sep 22 2022

web télécharger livre la nature comestible pdf la nature comestible est un guide de terrain indispensable pour la découverte l identification et la dégustation des nombreuses

[la nature comestible bookys ebooks](#) - Mar 17 2022

web nos stages longs permettent d apprendre à reconnaître les plantes à chaque saison les cueillir et les utiliser ou à les utiliser pour créer une pharmacie familiale et ainsi gérer

la nature comestible ian burrows frenchpdf ebook gratuit - Jul 21 2022

web jun 11 2018 voici la liste des fruits sauvages comestibles l épine vinette appelée aussi berberis vulgaris de son nom scientifique ce fruit sauvage comestible est présent dans

la nature comestible par ian burrows livre pdf en - Apr 17 2022

web publishing platform for digital magazines interactive publications and online catalogs convert documents to beautiful publications and share them worldwide title la nature

nature comestible - Sep 03 2023

web nature comestible le blog pour apprendre à reconnaître et utiliser les plantes sauvages comestibles prendre soin de la nature nos principales catégories plantes les plantes

lanaturecomestible - Dec 14 2021

web jul 8 2011 en auromne dans la nature les fruits de nombreuses plantes sau 39 ages rcpresentent la ressourcec alimentaire la plus abondante et la plus evidente

stages nature comestible - Jan 15 2022

web un guide de terrain indispensable pour la découverte l identification et la dégustation des nombreuses plantes sauvages comestibles qu offre la nature sur les côtes dans les

la nature comestible ian burrows archive org - May 31 2023

web broché 64 66 8 d occasion à partir de 64 66 1 de collection à partir de 120 00 ce guide de terrain invite à la découverte de plus de 250 fruits baies graines feuilles et

la nature comestible by lorolleil sofi issuu - Oct 12 2021

nature comestible découvrir les plantes sauvages comestibles - Aug 02 2023

web nature comestible s intéresse aux plantes sauvages comestibles et médicinales à l herboristerie la botanique et les remèdes de grand mère au travers de différentes

asia street bowls authentische rezepte für suppen und brühen - Mar 30 2022

web asia street bowls authentische rezepte für suppen und brühen aus fünf asiatischen ländern thailand vietnam korea taiwan und myanmar mit spannenden reportagen by heike stefan leistner

asia street bowls authentische rezepte für suppen und brühen - Aug 15 2023

web asia street bowls authentische rezepte für suppen und brühen aus fünf asiatischen ländern thailand vietnam korea

taiwan und myanmar 29 95 inkl 7 mwst 1 vorrätig in den warenkorb

asia street bowls authentische rezepte für suppen und brühen - Feb 26 2022

web asia street bowls authentische rezepte für suppen und brühen aus fünf asiatischen ländern thailand vietnam korea taiwan und myanmar mit spannenden reportagen by heike stefan leistner street bowls authentische rezepte für suppen und die 131 besten bilder von ramen rezepte in 2020 rezepte hummer 3 2017 by cc

asia street bowls authentische rezepte für suppen und brä - Nov 06 2022

web asia street bowls authentische rezepte für suppen und brä hen aus fünf asiatischen ländern thailand vietnam korea taiwan und myanmar mit spannenden reportagen by heike stefan leistner asia street bowls authentische rezepte für suppen und alle produktbeschreibungen original authentische asiatische rezepte

asia street bowls authentische rezepte für suppen und brühen - Apr 30 2022

web kochbuchsüchtig asia street bowls blogger leistner s asia street bowls co uk leistner asia street bowls authentische rezepte für suppen und grillkamin gas spanferkel rezept schuhbeck japanische essstäbchen 5 paar alloy chopsticks tefal g11519 delicia pro wokpfanne 28 cm aluminium 30 minuten pho einfach und verdammt gut rezept asia

asia street bowls authentische rezepte für suppen und brühen - Dec 27 2021

web asia street bowls authentische rezepte für suppen und brühen aus fünf asiatischen ländern thailand vietnam korea taiwan und myanmar mit spannenden reportagen by heike stefan leistner stefan leistner

asia street bowls authentische rezepte für suppen copy - Apr 11 2023

web asia street bowls authentische rezepte für suppen 101 thai klassiker die du gekocht haben musst jul 11 2022 dieses kochbuch ist eine exotische reise durch thailand in 101 gerichten egal ob vegetarisch oder mit fleisch ob knusprig cremig süß sauer herzhaft pikant oder aromatisch die rezepte laden dazu ein sich von der asiatischen

asia street bowls authentische rezepte für suppen download - Dec 07 2022

web asia street bowls authentische rezepte für suppen 3 3 poison and poisoning in science fiction and cinema hardie grant publishing the definitive guide to thai cuisine with 500 authentic recipes from every region brought together in one comprehensive and beautifully produced volume author and photographer jean pierre gabriel

asia street bowls authentische rezepte für suppen und brühen - Jan 08 2023

web jul 1 2023 yonge street die 131 besten bilder von ramen rezepte in 2020 rezepte 30 minuten pho einfach und verdammt gut rezept asian bowl full menu die 8 besten bilder zu pho rezept in 2020 pho rezept vietnamesische pho in 9 minuten ein frühlings 11 restaurants in denen ihr richtig leckere bowls essen die 87 besten bilder von

asiatische bowl mit kräutersalat brigitte de - Mar 10 2023

web kräuter abspülen gut trocken schütteln blätter grob schneiden Öl in einer breiten pfanne erhitzen spieße salzen pfeffern

bei großer hitze pro seite 2 minuten braten mit 2 el sesam

asia street bowls authentische rezepte für suppen und brühen - Jun 01 2022

web kundenrezensionen asia street bowls die 9 besten bilder von pad thai huhn in 2020 asiatische asian bowl full menu asia street bowls authentische suppen und brühen aus 49 best asian images asian recipes food recipes food 30 minuten pho einfach und verdammt gut rezept hummer 3 2017 by cc club kochender männer e v issuu asia

asia street bowls authentische rezepte für suppen und brühen - Aug 03 2022

web rezepte in 2020 rezepte asia street bowls authentische rezepte für suppen und leistner s asia street bowls co uk leistner die 8 besten bilder zu pho rezept in 2020 pho rezept kochbuchsüchtig asia street food asian bowl restaurant asian bowl arlington grillkamin gas spanferkel rezept schuhbeck bowls asian cuisine bowls kortrijk

asia street bowls authentische rezepte für suppen und brühen - Jul 02 2022

web und tafelfreuden essen und trinken in europa asia street bowls authentische rezepte für suppen und bowls asian cuisine bowls kortrijk die 131 besten bilder von ramen rezepte in 2020 rezepte asia street bowls von heike amp stefan leistner rezeption 30 minuten pho einfach und verdammt gut rezept tefal

asia street bowls authentische rezepte für suppen und brühen - Jan 28 2022

web asia street bowls authentische rezepte für suppen und asian bowl full menu asia street bowls authentische suppen und brühen aus 11 restaurants in denen ihr richtig leckere bowls essen das solltest du probiert das probiert

asia street bowls authentische rezepte für suppen und brühen - Jul 14 2023

web asia street bowls authentische rezepte für suppen und brühen aus fünf asiatischen ländern thailand vietnam korea taiwan und myanmar mit spannenden reportagen heike stefan leistner isbn 9783865288318 kostenloser versand für alle bücher mit versand und verkauf duch amazon

asia street bowls authentische rezepte für suppen und brühen - Oct 05 2022

web kundenrezensionen asia street bowls vietnamesische pho in 9 minuten ein frühlings asia street bowls authentische rezepte für suppen und how to make thai sticky rice so it s fluffy and moist asia bowl amp grill fort worth tx 76116 menu 19 asian appetizers for your next party the spruce eats kochbuchsüchtig kochbücher von a bis z

kochbuch asiens beste suppen faszination südostasien - May 12 2023

web nun haben die beiden mit asia street bowls nachgelegt und auf ihren reisen 60 suppen rezepte aus den großstädten thailands vietnams koreas taiwans und myanmars gesammelt unter den authentischen rezepten findest du unter anderem die vietnamesische pho bo die thailändische tom kha gai oder die malaysische laksa

asia street bowls asiastreetfood - Feb 09 2023

web alles über asiens suppen und brühen versandkostenfrei ab 49 00 innerhalb d rezepte vietnam thailand japan korea china

indien basics taiwan kambodscha laos malaysia myanmar online shop erfahre als erster von unseren neusten rezept ideen erhalte zusätzlich unsere neusten produktempfehlungen aus unserem online shop 10

asia street bowls authentische rezepte für suppen und brühen - Sep 04 2022

web der schwarzen hand hans jürgen asia street bowls authentische rezepte für suppen und kochbuchsüchtig asia street bowls blogger tefal g11519 delicia pro wokpfanne 28 cm aluminium einfache ramen suppe rezept rezepte asiatische rezepte die 630 besten bilder von essen rezepte in 2020 rezepte kochbuchsüchtig

asia street bowls authentische rezepte für suppen und brühen - Jun 13 2023

web rezepte für suppen und kochbuchsüchtig asia street bowls blogger leistner s asia street bowls co uk leistner einfache ramen suppe rezept rezepte asiatische rezepte how to make thai sticky rice so it s fluffy and moist rezepte asia street

esto no es un libro de sexo by chusita fashion fever - Mar 01 2022

web jun 30 2016 chusita fashion fever 3 46 103 ratings24 reviews una guía sincera divertida y sin censura en la que te damos respuestas y proponemos ideas y

esto no es un libro de sexo no ficcion juvenil uniport edu - Apr 02 2022

web apr 10 2023 pronouncement esto no es un libro de sexo no ficcion juvenil that you are looking for it will unconditionally squander the time however below later than you visit

esto no es un libro de sexo penguinlibros com - Nov 28 2021

web qué pasa la primera vez si llego al orgasmo me dará cuenta las chicas eyaculan cómo sabré si soy gay qué es un cunnilingus y un 69 y si se nos rompe el

esto no es un libro de sexo no ficcion juvenil copy - May 03 2022

web el experimento esto no es un libro es una experiencia eso no estaba en mi libro de la exploración espacial esto no es solo un diario Échale creatividad a tu vida

esto no es un libro de sexo no ficcion juvenil - Aug 18 2023

web este libro es una guía sincera divertida y sin censura en la que te damos respuestas y proponemos ideas y situaciones para pensar sobre el sexo largo y tendido y de paso

esto no es un libro de sexo no ficción juvenil fashion fever - Mar 13 2023

web una guía sincera divertida y sin censura en la que te damos respuestas y proponemos ideas i situaciones para pensar sobre sexo largo y tendido y de paso echarte unas

esto no es un libro de sexo penguin libros - Dec 30 2021

web si te saltan estas y otras dudas has dado con el libro perfecto una guía sincera divertida y sin censura en la que te damos respuestas y proponemos ideas y situaciones para

esto no es un libro de sexo no ficcion juvenil spanish - Jul 17 2023

web amazon com esto no es un libro de sexo no ficcion juvenil spanish edition ebook fever chusita fashion llovet maría tienda kindle

esto no es un libro de sexo plaza janés editores colombia - Nov 09 2022

web una guía sincera divertida y sin censura en la que te damos respuestas y proponemos ideas y situaciones para pensar sobre sexo largo y tendido y de paso echarte unas

esto no es un libro de sexo no ficcion juvenil ebook - Apr 14 2023

web esto no es un libro de sexo no ficcion juvenil ebook fever chusita fashion llovet maría amazon com mx tienda kindle

sexo o amor no todo es sexo noveltoon - Jun 04 2022

web matrimonio embarazo sexo o amor no todo es sexo esmeralda joven hermosa independiente pero sin pareja y aún virgen no por falta de pretendientes

esto no es un libro de sexo no ficcion juvenil pdf - Jul 05 2022

web sep 16 2023 sexo una relacion desenada por dios tony evans 2014 04 16 el sexo no es todo lo que el mundo cree que es es más este libro habla de sexo y es para

esto no es un libro de sexo no ficcion juvenil download - Aug 06 2022

web isaiah riggs esto no es un cuento guadalmezán sabías que probablemente en algún momento de la historia los caballeros templarios fueron los custodios de las cuatro

esto no es un libro de sexo tapa blanda literatura juvenil - Dec 10 2022

web si te saltan estas y otras dudas has dado con el libro perfecto una guía sincera divertida y sin censura en la que te damos respuestas y proponemos ideas y situaciones para

comprar el libro esto no es un libro de sexo de - Oct 08 2022

web comprar el libro esto no es un libro de sexo precio 15 00 tienda online de juguetes y libros infantiles de chusita fashion fever

esto no es un libro de sexo penguin libros - Feb 12 2023

web no ficción juvenil páginas 160 target de edad juvenil tipo de encuadernación ebook kindle idioma es fecha de publicación 30 06 2016 autor chusita fashion fever

comicaltfan sex o no sex blogger - Jan 31 2022

web sex o no sex fonollosa se ha convertido en poco tiempo en uno de los referentes más importantes del cómic de humor en nuestro país en esta ocasión deja en su cesta a

eso no es sexo otra educacion sexual es - Sep 07 2022

web el libro eso no es sexo otra educacion sexual es urgente de marina marroqui esclapez en casa del libro descubre las mejores ofertas y envíos gratis

esto no es un libro de sexo penguin libros - Jun 16 2023

web una guía sincera divertida y sin censura en la que te damos respuestas y proponemos ideas y situaciones para pensar sobre sexo largo y tendido y de paso echarte unas

esto no es un libro de sexo chusita fashion - Jan 11 2023

web una guía sincera divertida y sin censura en la que te damos respuestas y proponemos ideas y situaciones para pensar sobre sexo largo y tendido y de paso echarte unas

esto no es un libro de sexo no ficcion juvenil spanish - May 15 2023

web jun 30 2016 amazon com esto no es un libro de sexo no ficcion juvenil spanish edition ebook fever chusita fashion llovet maría kindle store

esto no es un libro de sexo no ficción juvenil - Sep 19 2023

web una guía sincera divertida y sin censura en la que te damos respuestas y proponemos ideas y situaciones para pensar sobre sexo largo y tendido y de paso echarte unas