

**GENERAL DIMENSIONS (Fig. 1)**

- A.** Overall Height (over Steering Wheel): 1485 mm (58-5 in)  
**A<sub>1</sub>.** Overall Height (over Exhaust): 2165 mm (85-2 in)  
**B.** Overall Width: 1651 mm (65 in)  
**C.** Overall Length: 3213 mm (126-5 in)  
**D.** Wheelbase (without Spacer): 1892 mm (74-5 in)

**Ground Clearance:**

- E.** Under Weight Frame (with Weights): 6-305 mm (25 in)  
**F.** Ground Clearance (under Clutch Housing): 6-33 mm (1/2 in)

**Turning Circle:** 5,425 m (21-1 ft) Without Brakes;  
 5,867 m (19-25 ft) With Brakes

**Weight (with fuel, oil and water):** 1652 kg (3642 lb)

**Note:** The above dimensions are for a tractor fitted with 6-00-16 front tyres and 11-28 rear tyres at 1321 mm (52 in) and 1420 mm (56 in) track settings respectively.

**MOUNTING POINTS (Fig. 2)**

1. 101,6 mm (4 in)
2. 184 mm (7 1/4 in)
3. 1018 mm (40 1/4 in)
4. 152,4 mm (6 in)
5. 4 holes top 1/4 in 10 UNC 28 x 28,8 mm (1 1/4 in) deep (blind)
6. 85,7 mm (3 3/4 in)
7. 8 holes top 1/4 in 11 UNC
8. 1829 mm (72 1/4 in)
9. 152,4 mm (6 in)
10. 114,3 mm (4 1/2 in)

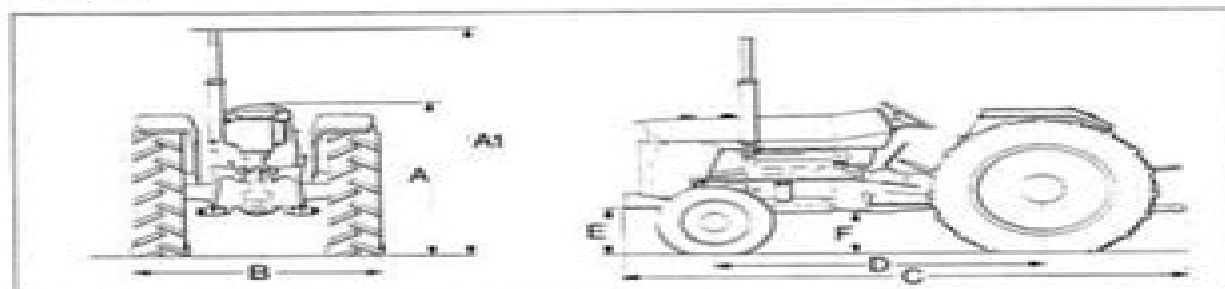


FIG. 1

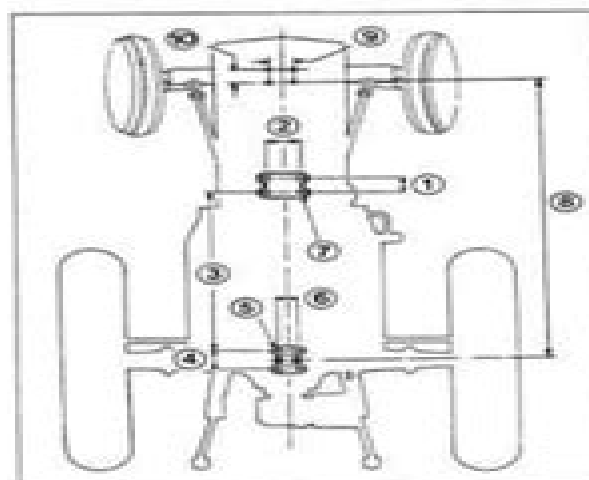


FIG. 2

# Massey Ferguson 253 Manual

**Robert N. Pripps**



## **Massey Ferguson 253 Manual:**

The Big Book of Massey Tractors Robert N. Pripps,2006 This is the first full scale history of one of the largest farm tractor manufacturers of all time peppered with pictures of Massey Harris Ferguson and Massey Ferguson s historic models collectibles sales memorabilia and advertisements from old farm magazines The Big Book of Massey Tractors tells the story of the mergers and machines that formed Massey Ferguson over several decades and because these machines dominated Canadian farms for almost a century in many ways it also tells the story of Canadian agriculture Robert Pripps a longtime tractor aficionado describes Massey Ferguson s battle with Ford over dominance of the farm tractor industry a battle the company eventually won remarkably enough in view of its initial abject market failure with tractors From the company s beginnings in 1891 to its 1953 merger with the Ferguson tractor company to its current ownership by Allis Gleaner Company AGCO Masseys have played a large role in our agricultural history The Big Book of Massey Tractors celebrates that role and showcases the machines that have helped turn the earth for over a hundred years Official Guide, Tractors and Farm Equipment ,1989 **Power Farming in Australia and New Zealand Technical Manual** ,1984 **Progressive Farmer** ,2001 Operator, Organizational, Direct Support, and General Support Maintenance Manual Including Repair Parts List for Grinding Kit, Valve Seat (K O Lee Co, Inc) (4910-00-060-9983) ,1989 **Official Specifications & Data Guide** ,1995 *Manual of the Mercantile Law of Great Britain and Ireland ...* Leone Levi,1854 **Implement & Tractor Red Book** ,1988 *Northwest Medicine* ,1907 **Farmers and Consumers Market Bulletin** ,2011 *Forthcoming Books* Rose Army,2003 *Citrus and Vegetable Magazine* ,1988 **The Earthmover Encyclopedia** Keith Haddock,2007 This colossal reference book documents the timeless urge to reshape the world and the machines used to do so from the 1088 s to today From utility tractors and loaders up to the largest diggers and bulldozers every piece of heavy equipment is listed here by model and manufacturer making this the most exhaustive book on the world s most hard working vehicles and machines Publisher s description Farm Journal ,1989 *The United States Catalog* ,1965 **Catalog of Copyright Entries. Third Series** Library of Congress. Copyright Office,1965 Includes Part 1 Number 2 Books and Pamphlets Including Serials and Contributions to Periodicals July December **Forest Industries** ,1972 **The Spectator life by states manual** ,1920 **Automotive Lubricants Reference Book** Arthur J. Caines,Roger F. Haycock,John E. Hillier,2004 The automotive lubricants arena has undergone significant changes since the first edition of this book was published in 1996 Environmental concerns particularly regrading improvement of ar quality have been important in recent years Reduced emmissions are directly related to changes in lubricant specifications and quality and the second edition of the Automotive Lubricants Reference Book reflects the urgency of such matters by including updated and expanded detail This second edition also considers the recent phenomenon of increased consolidation within the oil and petroleum additive arenas which has resulted in fewer poeple for research devlopment and implementation along with fewer competing companies After reviewing the first

edition the authors have fully reviewed and updated the information to fit in with the changes in technology and markets  
Chapters include Introduction and Fundamentals Constituents of Modern Lubricants Crankcase Oil Testing Crankcase Oil  
Quality Levels and Formulations Practical Experiences with Lubricant Problems Performance Levels Classification  
Specification and Approval of Engine Lubricants Other Lubricants for Road Vehicles Other Specialized Oils of Interest  
Blending Storage Purchase and Use Safety Health and the Environment The Future *Cleveland Medical Journal* ,1905

Embark on a breathtaking journey through nature and adventure with is mesmerizing ebook, Natureis Adventure: **Massey Ferguson 253 Manual** . This immersive experience, available for download in a PDF format ( PDF Size: \*), transports you to the heart of natural marvels and thrilling escapades. Download now and let the adventure begin!

<http://www.armchairempire.com/About/virtual-library/index.jsp/International%20484%20Repair%20Manual.pdf>

## **Table of Contents Massey Ferguson 253 Manual**

1. Understanding the eBook Massey Ferguson 253 Manual
  - The Rise of Digital Reading Massey Ferguson 253 Manual
  - Advantages of eBooks Over Traditional Books
2. Identifying Massey Ferguson 253 Manual
  - Exploring Different Genres
  - Considering Fiction vs. Non-Fiction
  - Determining Your Reading Goals
3. Choosing the Right eBook Platform
  - Popular eBook Platforms
  - Features to Look for in an Massey Ferguson 253 Manual
  - User-Friendly Interface
4. Exploring eBook Recommendations from Massey Ferguson 253 Manual
  - Personalized Recommendations
  - Massey Ferguson 253 Manual User Reviews and Ratings
  - Massey Ferguson 253 Manual and Bestseller Lists
5. Accessing Massey Ferguson 253 Manual Free and Paid eBooks
  - Massey Ferguson 253 Manual Public Domain eBooks
  - Massey Ferguson 253 Manual eBook Subscription Services
  - Massey Ferguson 253 Manual Budget-Friendly Options
6. Navigating Massey Ferguson 253 Manual eBook Formats

- ePub, PDF, MOBI, and More
  - Massey Ferguson 253 Manual Compatibility with Devices
  - Massey Ferguson 253 Manual Enhanced eBook Features
7. Enhancing Your Reading Experience
    - Adjustable Fonts and Text Sizes of Massey Ferguson 253 Manual
    - Highlighting and Note-Taking Massey Ferguson 253 Manual
    - Interactive Elements Massey Ferguson 253 Manual
  8. Staying Engaged with Massey Ferguson 253 Manual
    - Joining Online Reading Communities
    - Participating in Virtual Book Clubs
    - Following Authors and Publishers Massey Ferguson 253 Manual
  9. Balancing eBooks and Physical Books Massey Ferguson 253 Manual
    - Benefits of a Digital Library
    - Creating a Diverse Reading Collection Massey Ferguson 253 Manual
  10. Overcoming Reading Challenges
    - Dealing with Digital Eye Strain
    - Minimizing Distractions
    - Managing Screen Time
  11. Cultivating a Reading Routine Massey Ferguson 253 Manual
    - Setting Reading Goals Massey Ferguson 253 Manual
    - Carving Out Dedicated Reading Time
  12. Sourcing Reliable Information of Massey Ferguson 253 Manual
    - Fact-Checking eBook Content of Massey Ferguson 253 Manual
    - Distinguishing Credible Sources
  13. Promoting Lifelong Learning
    - Utilizing eBooks for Skill Development
    - Exploring Educational eBooks
  14. Embracing eBook Trends
    - Integration of Multimedia Elements
    - Interactive and Gamified eBooks

## Massey Ferguson 253 Manual Introduction

In today's digital age, the availability of Massey Ferguson 253 Manual books and manuals for download has revolutionized the way we access information. Gone are the days of physically flipping through pages and carrying heavy textbooks or manuals. With just a few clicks, we can now access a wealth of knowledge from the comfort of our own homes or on the go. This article will explore the advantages of Massey Ferguson 253 Manual books and manuals for download, along with some popular platforms that offer these resources. One of the significant advantages of Massey Ferguson 253 Manual books and manuals for download is the cost-saving aspect. Traditional books and manuals can be costly, especially if you need to purchase several of them for educational or professional purposes. By accessing Massey Ferguson 253 Manual versions, you eliminate the need to spend money on physical copies. This not only saves you money but also reduces the environmental impact associated with book production and transportation. Furthermore, Massey Ferguson 253 Manual books and manuals for download are incredibly convenient. With just a computer or smartphone and an internet connection, you can access a vast library of resources on any subject imaginable. Whether you're a student looking for textbooks, a professional seeking industry-specific manuals, or someone interested in self-improvement, these digital resources provide an efficient and accessible means of acquiring knowledge. Moreover, PDF books and manuals offer a range of benefits compared to other digital formats. PDF files are designed to retain their formatting regardless of the device used to open them. This ensures that the content appears exactly as intended by the author, with no loss of formatting or missing graphics. Additionally, PDF files can be easily annotated, bookmarked, and searched for specific terms, making them highly practical for studying or referencing. When it comes to accessing Massey Ferguson 253 Manual books and manuals, several platforms offer an extensive collection of resources. One such platform is Project Gutenberg, a nonprofit organization that provides over 60,000 free eBooks. These books are primarily in the public domain, meaning they can be freely distributed and downloaded. Project Gutenberg offers a wide range of classic literature, making it an excellent resource for literature enthusiasts. Another popular platform for Massey Ferguson 253 Manual books and manuals is Open Library. Open Library is an initiative of the Internet Archive, a non-profit organization dedicated to digitizing cultural artifacts and making them accessible to the public. Open Library hosts millions of books, including both public domain works and contemporary titles. It also allows users to borrow digital copies of certain books for a limited period, similar to a library lending system. Additionally, many universities and educational institutions have their own digital libraries that provide free access to PDF books and manuals. These libraries often offer academic texts, research papers, and technical manuals, making them invaluable resources for students and researchers. Some notable examples include MIT OpenCourseWare, which offers free access to course materials from the Massachusetts Institute of Technology, and the Digital Public Library of America, which provides a vast collection of digitized books and historical documents. In conclusion, Massey Ferguson 253 Manual books and manuals for download have

transformed the way we access information. They provide a cost-effective and convenient means of acquiring knowledge, offering the ability to access a vast library of resources at our fingertips. With platforms like Project Gutenberg, Open Library, and various digital libraries offered by educational institutions, we have access to an ever-expanding collection of books and manuals. Whether for educational, professional, or personal purposes, these digital resources serve as valuable tools for continuous learning and self-improvement. So why not take advantage of the vast world of Massey Ferguson 253 Manual books and manuals for download and embark on your journey of knowledge?

## **FAQs About Massey Ferguson 253 Manual Books**

**What is a Massey Ferguson 253 Manual PDF?** A PDF (Portable Document Format) is a file format developed by Adobe that preserves the layout and formatting of a document, regardless of the software, hardware, or operating system used to view or print it. **How do I create a Massey Ferguson 253 Manual PDF?** There are several ways to create a PDF: Use software like Adobe Acrobat, Microsoft Word, or Google Docs, which often have built-in PDF creation tools. Print to PDF: Many applications and operating systems have a "Print to PDF" option that allows you to save a document as a PDF file instead of printing it on paper. Online converters: There are various online tools that can convert different file types to PDF. **How do I edit a Massey Ferguson 253 Manual PDF?** Editing a PDF can be done with software like Adobe Acrobat, which allows direct editing of text, images, and other elements within the PDF. Some free tools, like PDFescape or Smallpdf, also offer basic editing capabilities. **How do I convert a Massey Ferguson 253 Manual PDF to another file format?** There are multiple ways to convert a PDF to another format: Use online converters like Smallpdf, Zamzar, or Adobe Acrobats export feature to convert PDFs to formats like Word, Excel, JPEG, etc. Software like Adobe Acrobat, Microsoft Word, or other PDF editors may have options to export or save PDFs in different formats. **How do I password-protect a Massey Ferguson 253 Manual PDF?** Most PDF editing software allows you to add password protection. In Adobe Acrobat, for instance, you can go to "File" -> "Properties" -> "Security" to set a password to restrict access or editing capabilities. Are there any free alternatives to Adobe Acrobat for working with PDFs? Yes, there are many free alternatives for working with PDFs, such as: LibreOffice: Offers PDF editing features. PDFsam: Allows splitting, merging, and editing PDFs. Foxit Reader: Provides basic PDF viewing and editing capabilities. How do I compress a PDF file? You can use online tools like Smallpdf, ILovePDF, or desktop software like Adobe Acrobat to compress PDF files without significant quality loss. Compression reduces the file size, making it easier to share and download. Can I fill out forms in a PDF file? Yes, most PDF viewers/editors like Adobe Acrobat, Preview (on Mac), or various online tools allow you to fill out forms in PDF files by selecting text fields and entering information. Are there any restrictions when working with PDFs? Some PDFs might have restrictions set by their creator,



such as password protection, editing restrictions, or print restrictions. Breaking these restrictions might require specific software or tools, which may or may not be legal depending on the circumstances and local laws.

### **Find Massey Ferguson 253 Manual :**

#### **international 484 repair manual**

[interesting facts book](#)

[international 500 series c crawler service manual](#)

*interior point algorithms theory and analysis*

[interior design guide](#)

#### **intermediate algebra mckeague 4th guide**

#### **interfacial fluid dynamics and transport processes lecture notes in physics**

#### **interchange level 2 class audio cds 3 interchange fourth edition**

[inter tel pbx manual](#)

~~[international 4900 manual transmission](#)~~

[interaction in cooperative groups interaction in cooperative groups](#)

#### **integrated audit practice case solution manual**

*integrated watershed management principles and practice*

[intec xbox 360 remote manual](#)

*intergraph pds piping user guide*

### **Massey Ferguson 253 Manual :**

*deutz 1011f engine workshop manual pdf sellmanuals com - Feb 08 2023*

web deutz 1011f 1011 f engine service repair workshop manual covers every single detail on your machine provides step by step instructions based on the complete disassembly of the machine this repair manual is an inexpensive way to keep you vehicle working properly models covered f2l 1011f f3l 1011f f4l 1011f bf4l 1011f f3m 1011f f4m 1011f

*deutz 1011f workshop manual comprehensive guide for - Aug 14 2023*

web deutz 1011f workshop manual this invaluable resource provides detailed information and guidance for technicians mechanics and service professionals working with the deutz 1011f engine model gain insights on engine specifications troubleshooting maintenance procedures and more

**deutz service manuals pdf trucksfreemanuals** - Apr 29 2022

web deutz service manuals pdf deutz 2008 2009 service manual deutz 1011f workshop manual deutz 1011f workshop manual deutz 1011f workshop manual compressed p adobe acrobat document 3 6 mb download deutz engine b fl 1011f b fm 1011f operation manual faults causes and remedies

deutz engine 1011f workshop manual procarmanuals com - Jul 13 2023

web the deutz engine 1011f workshop manual is an essential resource for anyone working with this engine model it empowers them with the knowledge and instructions necessary to effectively maintain and repair the deutz 1011f engine enabling optimal performance longevity and customer satisfaction

*deutz service manuals 1011 engines f3l1011fbf4m1011f* - Mar 09 2023

web deutz f4m1011 service manual service manual f4m1011 available in pdf and hard copy format 100 00 qty add to cart in stock manuals for deutz 1011 engines as an authorized deutz service dealer diesel parts direct carries genuine parts

deutz 1011f 1011 f engine service repair manual - Sep 03 2022

web deutz 1011f 1011 f engine service repair manual has easy to read text sections with top quality diagrams and instructions will guide you through fundamentals of maintaining and repairing step by step to teach you what the factory trained technicians already know

**deutz 1011f 1011 bfl bf4l engine workshop service manual** - Aug 02 2022

web deutz 1011f 1011 bfl bf4l engine workshop service manual 1 answered question ask a question what s included lifetime access fast download speeds online offline access access pdf contents bookmarks full search facility print one or all pages of your manual add to cart 32 99 buy now pdf 10 11 mb preview

*deutz 1011f 1011 bfl bf4l engine workshop service manual* - Jun 12 2023

web deutz 1011f 1011 bfl bf4l engine workshop service manual description reliable engine operation is dependent on properly executed repairs as well as adjustment work this workshop manual describes the appropriate operations for any repair and adjustment work on the engine and engine components

deutz bf 4m1011f engine workshop repair service manual - Mar 29 2022

web deutz bf 4m1011f engine workshop repair service manual is a complete manual which can make it easy for repairing by yourselves it contains detail instructions it containsadapter housing alternator bracketcamshaft drive connecting rodcontrol rod control u

*deutz f3m 1011fbf3m 1011ff4m 1011fbf4m 1011f engine workshop service* - Jul 01 2022

web tile deutz f3m 1011fbf3m 1011ff4m 1011fbf4m 1011f engine size 10 4mb format pdf pages 400 language english german russia brand deutz f3m 1011fbf3m 1011ff4m 1011fbf4m 1011f engine workshop service manual 7 50 add to cart

checkout download details published august 10 2016 categories deutz service

[deutz fl 1011f manuals manualslib](#) - May 11 2023

web deutz fl 1011f operation manual 82 pages brand deutz category engine size 3 94 mb table of contents 5 1 general 9 2 engine description 9 cylinder numbering 11 fuel delivery lock 11 engine illustrations 14 oil circuit 20 fuel system 21 3 engine operation 23 adding engine oil 23 adding fuel 24

*deutz 1011f 1011 f engine service repair workshop manual* - Dec 06 2022

web deutz 1011f 1011 f engine service repair workshop manual covers every single detail on your machine provides step by step instructions based on the complete disassembly of the machine this repair manual is an inexpensive way to keep you vehicle working properly models covered f2l 1011f f3l 1011f f4l 1011f bf4l 1011f f3m 1011f f4m 1011f

*deutz f3m 1011f bf3m f4m bf4m service manual* - Sep 15 2023

web engine service parts manual form no 917115 rev b 11 05 introduction this manual covers f3m 1011f and bf3m 1011f engines used in sl4635 and sl4835 skid steer loaders and f4m 1011f and bf4m 1011f engines used in

[deutz 1011f 1011 f engine complete workshop service repair manual](#) - Nov 05 2022

web thanks for taking the time to look at this complete service repair workshop manual this able manual covers every service repair procedure you will need description you can now save yourself big money by doing your own repairs this manual makes any ser deutz 1011f 1011 f engine complete workshop service repair manual

**deutz engine operation service workshop manuals pdf free** - Oct 16 2023

web aug 10 2018 deutz engine 1011f workshop manual pdf 10 6mb download deutz engine b f l 1011f b fm 1011f operation manual engine description pdf 1 1mb download deutz engine b f l 1011f b fm 1011f operation manual engine operation pdf 157 3kb download deutz engine b f l 1011f b fm 1011f operation manual

[deutz 1011 f diesel engines complete workshop service repair manual](#) - May 31 2022

web deutz 1011 f diesel engines complete workshop service repair manual thanks for taking the time to look at this complete service repair workshop manual this able manual covers every service repair procedure you will need description you can now save yourself big money by doing your own repairs

*deutz 1011f workshop manual download manualbuy* - Feb 25 2022

web you can read below deutz 1011f service manual details make deutz pdf genre workshop manual language english deutsch español format pdf file requirements adobe pdf reader winzip compatibility windows mac tablet ios android pdf file size 10 4 mb you will have instant access to your download

**deutz 1011f 1011 bfl bf4l engine workshop service manual** - Oct 04 2022

web description this is the service manual for the deutz 1011 f this manual contains more than 410 pages of information

instructions diagrams for step by step remove and install repair assembly disassembly and servicing your deutz engine models f2l 1011f f3l 1011f f4l 1011f bf4l 1011f f3m 1011f f4m 1011f bf4m 1011f size 11mb

**deutz 1011f engine workshop service manual manuals** - Jan 07 2023

web description reviews 0 deutz 1011f engine workshop service repair manual assembly disassembly specifications deutz reliable engine operation is dependent on properly executed repairs as well as adjustment work this workshop manual deutz 1011f describes the appropriate operations for any repair and adjustment work

*deutz bl 1011f operation manual pdf download manualslib* - Apr 10 2023

web view and download deutz bl 1011f operation manual online bl 1011f engine pdf manual download

*the reproductive system multiple choice flashcards quizlet* - Nov 06 2022

web free multiple choice quizzes on the human reproductive system plus there are links to lots of other great anatomy and physiology quizzes and other resources all free

*reproductive system questions and answers sanfoundry* - May 12 2023

web reproductive system multiple choice questions and answers for competitive exams these short objective type questions with answers are very important for board exams

**reproduction multiple choice questions and answers mcqs** - Oct 25 2021

**free anatomy quiz the reproductive system** - Sep 04 2022

web 1 the male reproductive system is made up of the following structures except a prostate b testicle c spermatic ducts d vestibular bulbs e seminal vesicles 2 testicle

*male reproductive system class 12 biology mcq sanfoundry* - Jan 28 2022

web male reproductive system multiple choice quiz multiple choice quiz of 20 questions try it as often as you like you will get a different set of questions each time you attempt

*reproductive system mcq free pdf objective* - Jan 08 2023

web study with quizlet and memorize flashcards containing terms like the dartos and cremaster muscles are important to the integrity of the male reproductive system which of the

**reproductive system mcq question with answer** - Sep 23 2021

**reproductive system multiple choice questions and answers** - Mar 10 2023

web aug 28 2023 reproductive system question 1 the period of life when the body undergoes changes leading to reproductive maturity is called maturity

**multiple choice questions online resources sage** - Apr 30 2022

web the book reproductive system multiple choice questions mcq quiz reproductive system quiz answers pdf to study online courses college biology tests practice

**reproductive system questions practice khan academy** - Aug 15 2023

web choose 1 answer anaphase i in females a anaphase i in females prophase ii in males b prophase ii in males prophase i in females c prophase i in females metaphase ii in

**mcq of reproductive system geeksforgeeks** - Jun 01 2022

web this usually occurs between days 6 and 12 of the menstrual cycle shedding of the lining of the uterus the lining of the uterus remains in place in preparation for the possible

human reproductive system questions and answers - Apr 11 2023

web human reproductive system multiple choice questions 1 the process which undergoes in the primary oocytes is classified as a meiosis ii b meiosis i c mitosis ii

*human anatomy multiple choice quiz mcgraw hill education* - Jun 13 2023

web next this set of life sciences multiple choice questions answers mcqs focuses on reproductive system 1 the primary sex organ is known as a

**reproductive system quiz 183 plays quizizz** - Aug 03 2022

web nov 28 2022 discuss in this article we have explained some important multiple choice question related to the reproductive system the reproductive system is an

**reproductive system mcqs multiple choice questions pdf** - Oct 05 2022

web 1 multiple choice 30 seconds 1 pt sperm are produced in the bladder testes scrotum ovaries 2 multiple choice 30 seconds 1 pt human eggs are usually fertilized in the

**reproductive system mcqs test 1 remix education** - Dec 27 2021

web jul 15 2020 reproduction multiple choice questions and answers mcqs pdf download a book to practice quiz questions and answers on college biology topics

**reproductive system multiple choice questions studocu** - Jul 02 2022

web test your understanding with these multiple choice questions 1 which of following infections of the female reproductive system are known to cause infertility

*multiple choice questions online resources sage* - Dec 07 2022

web mcqs on anatomy and physiology reproductive system multiple choice questions solved answer trivia test quiz notes pdf mcqtimes com

[300 top human reproductive system mcqs and answers](#) - Feb 09 2023

web 1 the female gonads are the xx chromosomes the external sexual organs i e the vulva the ovaries the vaginal glands 2 males have chromosomes xx xy yy xxx 3 the principal

[the female reproductive system](#) - Mar 30 2022

web this set of class 12 biology chapter 3 multiple choice questions answers mcqs focuses on the male reproductive system 1 where is the male reproductive

[male reproductive system](#) - Nov 25 2021

web explanation are given for understanding download reproductive system mcq question answer pdf try reproductive system mock test question no 1 the testes secrete

[the human reproductive system test questions bbc](#) - Jul 14 2023

web the following statements are comparisons of male and female reproduction choose the statement that is incorrect a the reproductive organs of both sexes are homologous

[reproductive system mcq pdf quiz questions answers](#) - Feb 26 2022

web nov 25 2020 reproductive system mcq multiple choice questions and answers human anatomy and physiology download free study material click here all

[michel vaillant le site officiel](#) - May 06 2022

web voir toutes les actualités l'écurie vaillante fait peau neuve philippe graton décide de confier les dessins à de nouveaux auteurs grâce à cette nouvelle équipe michel vaillant s'engage pour une nouvelle saison qui s'annonce dense étincelante et

**michel vaillant nouvelle saison tome 2 voltage french** - Mar 16 2023

web dec 6 2013 buy michel vaillant nouvelle saison tome 2 voltage french edition read kindle store reviews amazon com

[michel vaillant saison 2 tome 2 voltage nouvelle édition](#) - Sep 22 2023

web nov 24 2021 michel vaillant saison 2 tome 2 voltage nouvelle édition édition définitive lapière denis graton philippe bourgne benéteau on amazon com free shipping on qualifying offers michel vaillant saison 2 tome 2 voltage nouvelle édition édition définitive

**voltage tome 2 de la série de bd michel vaillant saison 2 de** - Nov 12 2022

web dec 1 2021 voltage tome 2 de la série de bd michel vaillant saison 2 de benéteau bourgne graton philippe lapière depuis grand public Éditions dupuis feuillotez gratuitement cette bd en ligne interdit de course jusqu'à la fin de la saison

après les événements de la course de portimão michel vaillant traverse une période de doute

[michel vaillant saison 2 tome 2 voltage amazon fr](#) - Aug 21 2023

web michel vaillant saison 2 tome 2 voltage philippe graton denis lapière marc bourgne benjamin benéteau amazon fr livres

**micHEL vaillant nouvelle saison tome 2 voltage apple books** - Oct 11 2022

web dec 6 2013 interdit de course jusqu'à la fin de la saison après les événements de la course de portimão michel vaillant traverse une période de doute troublé par la détermination de son fils engagé dans une entreprise qu'il juge incompatible avec les valeurs de la famille michel vaillant décide de relever

**voltage micHEL vaillant nouvelle saison 2 goodreads** - Aug 09 2022

web michel vaillant nouvelle saison 2 voltage philippe graton denis lapière marc bourgne more 3 67 54 ratings3 reviews interdit de course jusqu'à la fin de la saison après les événements de la course de portimão michel vaillant traverse une période de doute

*micHEL vaillant nouvelle saison tome 2 voltage lapière* - Jun 19 2023

web michel vaillant nouvelle saison tome 2 voltage lapière graton philippe on amazon com au free shipping on eligible orders michel vaillant nouvelle saison tome 2 voltage

*micHEL vaillant nouvelle saison tome 2 album decitre* - Mar 04 2022

web dec 6 2013 troublé par la détermination de son fils engagé dans une entreprise qu'il juge incompatible avec les valeurs de la famille michel vaillant décide de relever un nouveau défi battre le record de vitesse avec une voiture

micHEL vaillant saison 2 la série de bd Éditions dupuis - Jan 14 2023

web découvrez la série de bd michel vaillant saison 2 de benéteau bourgne dutreuil graton philippe lapière marin dupuis grand public Éditions dupuis et feuilletez gratuitement les bd en ligne c'est le grand retour de michel vaillant le pilote vedette des plus grands circuits internationaux

micHEL vaillant nouvelle saison 2 voltage bedetheque - Jul 20 2023

web oct 18 2013 troublé par la détermination de son fils engagé dans une entreprise qu'il juge incompatible avec les valeurs de la famille michel vaillant décide de relever un nouveau défi battre le record de vitesse avec une voiture

**micHEL vaillant saison 2 tome 2 voltage cultura** - Apr 05 2022

web michel vaillant saison 2 tome 2 voltage aux éditions graton c'est le grand retour de michel vaillant le pilote vedette des plus grands circuits internationaux confronté aux nouveaux enjeux sportifs et technologiques l

**micHEL vaillant nouvelle saison tome 2 voltage by** - Feb 15 2023

web buy michel vaillant nouvelle saison tome 2 voltage by online on amazon ae at best prices fast and free shipping free returns cash on delivery available on eligible purchase

**micHEL vaillant saison 2 tome 2 voltage nouvelle édition** - Apr 17 2023

web michel vaillant saison 2 tome 2 voltage nouvelle édition édition définitive by lapière denis graton philippe isbn 10 2390601294 isbn 13 9782390601296 graton 2021 hardcover

**michel vaillant nouvelle saison tome 2 voltage** - Sep 10 2022

web feuilletez un extrait de michel vaillant nouvelle saison tome 2 voltage de denis lapiere philippe graton benjamin beneteau marc bourgne 1ère librairie en ligne spécialisée bd envois rapides et soignés

[michel vaillant nouvelle saison tome 2 voltage youtube](#) - Jun 07 2022

web oct 23 2013 un nouveau challenge attend michel vaillant pilote père et entrepreneur face aux défis de la modernité michel vaillant nouvelle saison tome 2 voltage

*michel vaillant saison 2 tome 2 voltage babelio* - Oct 23 2023

web dec 6 2013 sur ce second tome de la nouvelle saison des aventures de michel vaillant on a droit à une bonne histoire sur un scénario solide et un dessin des personnages un peu plus soutenu difficile toutefois de reconnaître steve warson sous

[michel vaillant tome 2 michel vaillant saison 2 voltage](#) - May 18 2023

web nov 24 2021 michel vaillant tome 2 michel vaillant saison 2 voltage nouvelle édition édition définitive 5 1 avis résumé voir tout interdit de course jusqu'à la fin de la saison après les événements de la course de portimão michel vaillant traverse une période de doute

**michel vaillant nouvelle saison tome 2 voltage french** - Dec 13 2022

web michel vaillant nouvelle saison tome 2 voltage french edition ebook graton philippe lapière denis beneteau benjamin marc bourgne amazon com au kindle store

[michel vaillant nouvelle saison tome 2 voltage](#) - Jul 08 2022

web le second tome de la nouvelle saison des aventures de michel vaillant se poursuit sur les chapeaux de roue en un habile dialogue entre fiction et réalité afficher en entier mod suppr