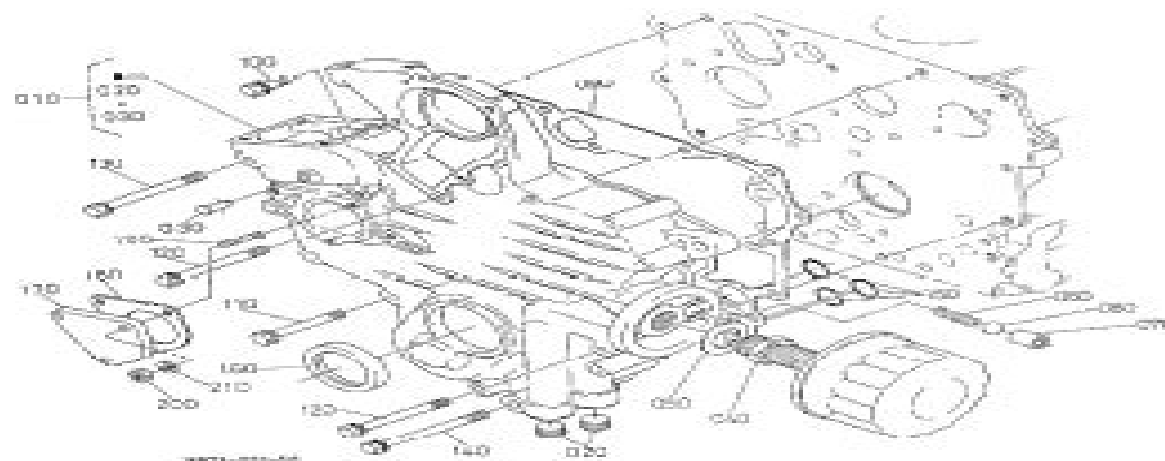


0004

**GEAR CASE
CARTER DE DISTRIBUTION
GETRIEBEGEHAUSE**


A:DT22-ERR-EC-STD-2

ILL. NO. FIG. N°	PART NO. REFERENCE BEZELL-Nr.	PART NAME	DESIGNATION	BEZEICHNUNG	STUDOLC No.		I. C.	SPARTEIL REPARATUR- BEZEICHNUNG
					A	B		
010	16889-0402-0	CRWP. CASE, GEAR	CARTER DISTR. COMP.	KWP. GETRIEBEGEHAUSE	1	-		
020	16851-9601-0	FLIE	BOUCHON	STÖPFEN	2	-		
030	15841-5628-0	PIN, START SPRING	GOURILLE DU RESSORT	STARTFEDERSTIFT	1	-		
040	15241-3229-0	JOINT, PIPE	RACCORD DE TIRAS	VERBINDUNGSSTUECK	1	-		
050	15841-9401-0	WASHER, PLAIN	RONDELLE FREIN	SCHREIBE	1	-		
060	16851-3695-0	SPRING	RESSORT	FEDER	1	-		
070	15841-3693-0	SEAT, VALVE	SIEGE DE SOUPEPE	SITZ, VENTIL	1	-		
080	07715-03211	BALL	BIJULE	KUGEL	1	-		
090	15862-0413-2	GASKET, GEAR CASE NR	JOINT DE CARTER-015.	DICHTUNG, GETR. GET	1	-		
100	01023-60618	BELT	VIT	BOLZEN	1	-		
110	01023-60650	BELT	VIT	BOLZEN	8	-		
120	15841-0101-0	BELT	VIT	BOLZEN	5	-		
130	01023-60670	BELT	VIT	BOLZEN	1	-		
140	01023-60675	BELT	VIT	RAIFEN	1	-		
150	04814-08130	O RING	JOINT TORIQUE	O RING	3	-		
160	15877-0414-0	SEAL, OIL	BASE JOINT	ÖLDICHTUNGSRING	1	-		
170	19461-8334-0	COVER	COUVERCLE	DECKEL	1	-		
180	10461-8813-2	GASKET, H/W GEAR CASE	JOINT	DICHTUNG	1	-		
190	15271-8821-0	STD	GOIJON	STEBBOLZEN	3	-		
200	02056-50060	NUT	ECROU	MUTTER	3	-		
210	04512-60060	WASHER, SPRING	RONDELLE GRWER	FEDERRING	3	-		

↔ Interchangeable; ↗ not interchangeable; 0 - new for old; → old for new

Kubota Service Manual 722

Guillaume Favre



Kubota Service Manual 722:

Betamarine Beta 10, BZ482, Beta 16 (BZ602), BD722 N N, 2012-05 Handbuch f r die kleinen Bootsmotoren von Betamarine nebst Getrieben und K hlern Maintenance Manual for the Betamarine small diesel engine range including gear boxes and heat exchangers **Progressive Farmer** ,2001 **Moody's International Manual** ,1998 Farmers and Consumers Market Bulletin ,2011 **Public Works Manual** ,1983 International California Mining Journal ,1999
Mergent International Manual ,2003 **Power Farming in Australia and New Zealand Technical Manual** ,1982
The Other Canon of Economics, Volume 2 Erik Reinert,2024-02-13 Other Canon Economics Essays in the Theory and History of Uneven Economic Development brings together key essays on development economics from one of the most prolific and important development economists and historians of economic policy today Erik S Reinert argues through essays ranging from 1994 to 2020 that neo classical economics damages developing countries the theory of comparative advantage leaves out a number of factors which make economic activities qualitatively different as carriers of economic growth Based on a long intellectual tradition started by the Italian economists Giovanni Botero 1589 and Antonio Serra 1613 and later used in virtually all presently industrialised countries Reinert shows that the country which exports increasing returns goods e g high end manufacture has advantages over the country which exports diminishing returns goods e g commodities This has important implications for today s development strategies that Reinert argues should be seen as industrial strategies
California Builder & Engineer ,2003 **Cumulated Index Medicus** ,1991 **Focus on Farming** ,1983
Information Industry Directory ,2009 Comprehensive directory of databases as well as services involved in the production and distribution of information in electronic form There is a detailed subject index and function service classification as well as name keyword and geographical location indexes **Thomas Register of American Manufacturers** ,2003 Vols for 1970 71 includes manufacturers catalogs Small Business Sourcebook ,1996 A guide to the information services and sources provided to 100 types of small business by associations consultants educational programs franchisers government agencies reference works statisticians suppliers trade shows and venture capital firms Government Reports Index ,1971
Million Dollar Directory ,1993 **Annual Report of Tokyo University of Agriculture and Technology** Tōkyō Nōkō Daigaku,1993-03 Prairie Farmer ,1984 **The Fookien Times Philippines Yearbook** ,1995

This is likewise one of the factors by obtaining the soft documents of this **Kubota Service Manual 722** by online. You might not require more times to spend to go to the ebook creation as competently as search for them. In some cases, you likewise do not discover the broadcast Kubota Service Manual 722 that you are looking for. It will categorically squander the time.

However below, with you visit this web page, it will be in view of that entirely simple to get as with ease as download guide Kubota Service Manual 722

It will not consent many period as we explain before. You can attain it though do something something else at home and even in your workplace. so easy! So, are you question? Just exercise just what we give under as with ease as evaluation **Kubota Service Manual 722** what you when to read!

<http://www.armchairempire.com/book/Resources/fetch.php/Manual%20Minolta%20Bizhub%20223.pdf>

Table of Contents Kubota Service Manual 722

1. Understanding the eBook Kubota Service Manual 722
 - The Rise of Digital Reading Kubota Service Manual 722
 - Advantages of eBooks Over Traditional Books
2. Identifying Kubota Service Manual 722
 - Exploring Different Genres
 - Considering Fiction vs. Non-Fiction
 - Determining Your Reading Goals
3. Choosing the Right eBook Platform
 - Popular eBook Platforms
 - Features to Look for in an Kubota Service Manual 722
 - User-Friendly Interface
4. Exploring eBook Recommendations from Kubota Service Manual 722
 - Personalized Recommendations

- Kubota Service Manual 722 User Reviews and Ratings
- Kubota Service Manual 722 and Bestseller Lists
- 5. Accessing Kubota Service Manual 722 Free and Paid eBooks
 - Kubota Service Manual 722 Public Domain eBooks
 - Kubota Service Manual 722 eBook Subscription Services
 - Kubota Service Manual 722 Budget-Friendly Options
- 6. Navigating Kubota Service Manual 722 eBook Formats
 - ePub, PDF, MOBI, and More
 - Kubota Service Manual 722 Compatibility with Devices
 - Kubota Service Manual 722 Enhanced eBook Features
- 7. Enhancing Your Reading Experience
 - Adjustable Fonts and Text Sizes of Kubota Service Manual 722
 - Highlighting and Note-Taking Kubota Service Manual 722
 - Interactive Elements Kubota Service Manual 722
- 8. Staying Engaged with Kubota Service Manual 722
 - Joining Online Reading Communities
 - Participating in Virtual Book Clubs
 - Following Authors and Publishers Kubota Service Manual 722
- 9. Balancing eBooks and Physical Books Kubota Service Manual 722
 - Benefits of a Digital Library
 - Creating a Diverse Reading Collection Kubota Service Manual 722
- 10. Overcoming Reading Challenges
 - Dealing with Digital Eye Strain
 - Minimizing Distractions
 - Managing Screen Time
- 11. Cultivating a Reading Routine Kubota Service Manual 722
 - Setting Reading Goals Kubota Service Manual 722
 - Carving Out Dedicated Reading Time
- 12. Sourcing Reliable Information of Kubota Service Manual 722
 - Fact-Checking eBook Content of Kubota Service Manual 722

- Distinguishing Credible Sources
- 13. Promoting Lifelong Learning
 - Utilizing eBooks for Skill Development
 - Exploring Educational eBooks
- 14. Embracing eBook Trends
 - Integration of Multimedia Elements
 - Interactive and Gamified eBooks

Kubota Service Manual 722 Introduction

Kubota Service Manual 722 Offers over 60,000 free eBooks, including many classics that are in the public domain. Open Library: Provides access to over 1 million free eBooks, including classic literature and contemporary works. Kubota Service Manual 722 Offers a vast collection of books, some of which are available for free as PDF downloads, particularly older books in the public domain. Kubota Service Manual 722 : This website hosts a vast collection of scientific articles, books, and textbooks. While it operates in a legal gray area due to copyright issues, its a popular resource for finding various publications. Internet Archive for Kubota Service Manual 722 : Has an extensive collection of digital content, including books, articles, videos, and more. It has a massive library of free downloadable books. Free-eBooks Kubota Service Manual 722 Offers a diverse range of free eBooks across various genres. Kubota Service Manual 722 Focuses mainly on educational books, textbooks, and business books. It offers free PDF downloads for educational purposes. Kubota Service Manual 722 Provides a large selection of free eBooks in different genres, which are available for download in various formats, including PDF. Finding specific Kubota Service Manual 722, especially related to Kubota Service Manual 722, might be challenging as theyre often artistic creations rather than practical blueprints. However, you can explore the following steps to search for or create your own Online Searches: Look for websites, forums, or blogs dedicated to Kubota Service Manual 722, Sometimes enthusiasts share their designs or concepts in PDF format. Books and Magazines Some Kubota Service Manual 722 books or magazines might include. Look for these in online stores or libraries. Remember that while Kubota Service Manual 722, sharing copyrighted material without permission is not legal. Always ensure youre either creating your own or obtaining them from legitimate sources that allow sharing and downloading. Library Check if your local library offers eBook lending services. Many libraries have digital catalogs where you can borrow Kubota Service Manual 722 eBooks for free, including popular titles. Online Retailers: Websites like Amazon, Google Books, or Apple Books often sell eBooks. Sometimes, authors or publishers offer promotions or free periods for certain books. Authors Website Occasionally, authors provide excerpts or short stories for free on their websites. While this might not be the Kubota Service Manual 722 full book , it can give you a taste of

the authors writing style. Subscription Services Platforms like Kindle Unlimited or Scribd offer subscription-based access to a wide range of Kubota Service Manual 722 eBooks, including some popular titles.

FAQs About Kubota Service Manual 722 Books

How do I know which eBook platform is the best for me? Finding the best eBook platform depends on your reading preferences and device compatibility. Research different platforms, read user reviews, and explore their features before making a choice. Are free eBooks of good quality? Yes, many reputable platforms offer high-quality free eBooks, including classics and public domain works. However, make sure to verify the source to ensure the eBook credibility. Can I read eBooks without an eReader? Absolutely! Most eBook platforms offer webbased readers or mobile apps that allow you to read eBooks on your computer, tablet, or smartphone. How do I avoid digital eye strain while reading eBooks? To prevent digital eye strain, take regular breaks, adjust the font size and background color, and ensure proper lighting while reading eBooks. What the advantage of interactive eBooks? Interactive eBooks incorporate multimedia elements, quizzes, and activities, enhancing the reader engagement and providing a more immersive learning experience. Kubota Service Manual 722 is one of the best book in our library for free trial. We provide copy of Kubota Service Manual 722 in digital format, so the resources that you find are reliable. There are also many Ebooks of related with Kubota Service Manual 722. Where to download Kubota Service Manual 722 online for free? Are you looking for Kubota Service Manual 722 PDF? This is definitely going to save you time and cash in something you should think about. If you trying to find then search around for online. Without a doubt there are numerous these available and many of them have the freedom. However without doubt you receive whatever you purchase. An alternate way to get ideas is always to check another Kubota Service Manual 722. This method for see exactly what may be included and adopt these ideas to your book. This site will almost certainly help you save time and effort, money and stress. If you are looking for free books then you really should consider finding to assist you try this. Several of Kubota Service Manual 722 are for sale to free while some are payable. If you arent sure if the books you would like to download works with for usage along with your computer, it is possible to download free trials. The free guides make it easy for someone to free access online library for download books to your device. You can get free download on free trial for lots of books categories. Our library is the biggest of these that have literally hundreds of thousands of different products categories represented. You will also see that there are specific sites catered to different product types or categories, brands or niches related with Kubota Service Manual 722. So depending on what exactly you are searching, you will be able to choose e books to suit your own need. Need to access completely for Campbell Biology Seventh Edition book? Access Ebook without any digging. And by having access to our ebook online or by storing it on your computer, you have convenient

answers with Kubota Service Manual 722 To get started finding Kubota Service Manual 722, you are right to find our website which has a comprehensive collection of books online. Our library is the biggest of these that have literally hundreds of thousands of different products represented. You will also see that there are specific sites catered to different categories or niches related with Kubota Service Manual 722 So depending on what exactly you are searching, you will be able to choose ebook to suit your own need. Thank you for reading Kubota Service Manual 722. Maybe you have knowledge that, people have search numerous times for their favorite readings like this Kubota Service Manual 722, but end up in harmful downloads. Rather than reading a good book with a cup of coffee in the afternoon, instead they juggled with some harmful bugs inside their laptop. Kubota Service Manual 722 is available in our book collection an online access to it is set as public so you can download it instantly. Our digital library spans in multiple locations, allowing you to get the most less latency time to download any of our books like this one. Merely said, Kubota Service Manual 722 is universally compatible with any devices to read.

Find Kubota Service Manual 722 :

[manual minolta bizhub 223](#)

~~manual kymco agility 125~~

manual of wire bending techniques spiral bound 2010 author elichiro nakajima

manual of f7 financial reporting study text bpp 2015

manual kawasaki engine 20 hp

manual nissan d22

[manual lexmark interpret s405](#)

[manual nx 8 version 2](#)

~~manual manual 2002 gmc envoy free~~

[manual nissan patrol 1985](#)

manual leica tcr 703

manual lmi

manual kubota single cylinder air cooled diesel

~~manual of cardiovascular medicine manual of cardiovascular medicine~~

manual of business italian a comprehensive language guide languages for business

Kubota Service Manual 722 :

caterpillar d4d crawler service manual repair manuals online - Oct 03 2023

web this massive 800 page printed caterpillar d4d crawler service manual is a reproduction of the original out of print factory manual

parts manual operation manual service manual for equipment caterpillar - Jan 26 2023

web track type tractor bulldozer caterpillar d3 operation and maintenance manual cat21 003 d3 track type tractor bulldozer caterpillar d3 service manual cat21 004 d3b track type tractor bulldozer caterpillar d3b spare parts catalog cat21 005 d3b

caterpillar d4d crawler manuals service repair owners parts - Sep 02 2023

web parts owners and service manuals are typically available for your caterpillar d4d crawler please see availability below which manual do i need there are 3 main types of caterpillar crawler manuals each with a specific purpose

d4 undercarriage maintenance cat caterpillar - Jul 20 2022

web estimated watch time 3 minutes let s go over a few necessary procedures to maintain your important undercarriage parts and components cleaning 00 17 clean your undercarriage daily to help extend the life of your seals and components use a shovel to remove dirt and debris from your d4 bulldozer s track roller frame

d4 walk around cat caterpillar - Nov 23 2022

web cookie settings estimated watch time 7 minutes this quick and easy video guide can help you get to know your cat d4 dozer here are just a few things you ll see pre shift check procedures 00 19 inspecting your blade checking on your ground engaging tools get inspecting your radiator

caterpillar d4d track type tractor 60j service and repair manual - Sep 21 2022

web caterpillar d4d track type tractor 60j service and repair manual caterpillar service and repair manuals provide you all the detail required to maintain and repair your heavy machinery we earnestly look forward to seeing that this manual is made full use of in order to perform correct service with no wastage contain procedures for safely and

caterpillar d4d track type tractor serial 59j repair service - Mar 16 2022

web mar 10 2023 this caterpillar d4d track type tractor serial 59j repair service workshop manual pdf download provides detailed illustrations step by step instructions and specifications for repair and maintenance it includes testing and adjusting troubleshooting specifications disassembly and assembly instructions it is compatible

for caterpillar d4d crawler service manual new 78a1 - Mar 28 2023

web we take pride in our feedback rating the item for caterpillar d4d crawler service manual new 78a1 is in sale since wednesday march 12 2014 this item is in the category business industrial heavy equipment parts accs manuals books the seller is reliableaftermarketpartsinc and is located in williamston michigan

[parts service manuals cat caterpillar](#) - Feb 24 2023

web cat service parts and operationand maintenance manuals we have everything you need to keep your cat equipment performing whether you need genuine cat parts service and parts manuals or if you would like to contact your local cat dealer for support we make it easy to keep your cat equipment running

caterpillar d4d service manual cyberlab sutd edu sg - Jun 18 2022

web caterpillar d4d service manual isuzu pickups trooper jul 20 2022 2wd 4wd toyota landcruiser repair manual nov 11 2021 series 78 79 100 105 6 8 cylinder engines with 4 5l 4 7l petrol and 4 2l diesel excavating contractor dec 01 2020 land rover series ii iia and iii dec 25 2022

caterpillar service manual d4 tractor 47h 49j 59j 60j 65j - May 30 2023

web caterpillar service manual d4 tractor 47h 49j 59j 60j 65j 69k 74u 82j 83j worldcat org

caterpillar d4 tractor operators manual repair manuals online - Jun 30 2023

web high quality reproduction of the original out of print manual caterpillar d4 tractor operators manual models covered this manual covers caterpillar d4 tractors with the following serial numbers 4g1 4g9999 massey ferguson mf200 mf200b crawler service manual pdf download 56 34 46 95 massey ferguson mf 1010 2 4 wheel

[caterpillar cat d4d track type tractor service repair manual](#) - Oct 23 2022

web this service manual is a guide to servicing and repairing of the caterpillar d4d track type tractor the instructions are grouped by systems to serve the convenience of your ready reference long productive life of your engine depends to a

[service manual caterpillar c4 4 generator set d4d](#) - May 18 2022

web download caterpillar c4 4 generator set service manual d4d it is complete original factory for caterpillar c4 4 generator set covers all the service and repair information about caterpillar c4 4 generator set the information in this manual covers everything you need to know when you want to service and repair caterpi

caterpiller 3304 3306 service manual caterpilar ltd free - Aug 01 2023

web dec 16 2021 complete digital official shop manual contains service maintenance and troubleshooting information for the caterpillar 3304 3306 engine diagnostic and repair procedures are covered in great detail to repair maintain rebuild refurbish or restore your engine like a professional mechanic in local service repair workshop

caterpillar d4d crawler service manual ct s d4d 7r - Apr 28 2023

web caterpillar service manual ct s d4d 7r volumes 1 2 tractor service manuals tractor shop manual repair manual provide detailed service and repair information for your tractor with step by step instructions on how to repair your farm tractor or other machine d4d crawler 7r 47h 49j 59j 60j 61j 65j 66j 69k 74u 82j 83j

caterpillar d4d track type tractor operation service manual - Aug 21 2022

web this caterpillar d4d track type tractor operation maintenance manual pdf download is a comprehensive document that provides all the details necessary about operating and maintenance procedure it is compatible with all windows and mac version and can be printed unlimited copies you will receive download link after

cat parts lookup by serial number parts manuals diagrams - Apr 16 2022

web enter your cat machine or engine serial number to lookup and buy the parts you need browse caterpillar parts manuals and diagrams

caterpillar d4d crawler service manual sn 78a1 and up sn - Dec 25 2022

web this caterpillar model d4d crawler service manual is a digitally enhanced reproduction of the original manufacturer issued shop manual this manual covers sn 78a1 and up sn 85a1 and up sn 86a1 and up sn 88a1 and up sn 91a1 and up it contains 232 pages of useful technical information and instruction for your crawler

caterpillar d4 d4d crawler service manual repair manuals online - Feb 12 2022

web this caterpillar d4 d4d crawler factory service manual provides detailed service information step by step repair instruction and maintenance specifications for all caterpillar d4 crawler with serial numbers 78a1 up

why timber buildings are catching on jll - Feb 13 2023

web oct 22 2019 there are now nearly 600 built or planned wooden commercial buildings in the contiguous u s according to the wood products council new york city will soon have its first two timber buildings in nearly a century with a pair of midrise developments in south williamsburg swatch group s new headquarters in switzerland is made of local

what is mass timber design construction naturally wood - Jul 18 2023

web what is mass timber construction mass timber construction in contrast to light frame wood construction is built using a category of engineered wood products typically made of large solid wood panels columns or beams often manufactured off site for load bearing wall floor and roof construction

timber supplier timber house singapore - Sep 20 2023

web timber is a highly valued material that has been used directly in construction in the production of paper in the design of furniture and as a significant fuel source timber is frequently utilised for many purposes because of its

mass engineered timber building and construction authority - Oct 21 2023

web mass engineered timber met is a building material comprising engineered wood products with improved structural integrity this includes cross laminated timber clt layers of wood are stacked cross wise and bonded with structural adhesives it is predominantly used for walls floors and roofs

why timber buildings are on the rise jll - Apr 15 2023

web nov 26 2021 why timber buildings are on the rise recent projects are laying the foundation for making timber

construction more mainstream november 26 2021 buildings made from timber have long been billed as a route to addressing the real estate industry s net zero carbon emission goals

singapore university unveils asia s largest timber building cnn - Jan 12 2023

web jun 5 2023 singapore university unveils asia s largest timber building cnn set across six stories and 468 000 square feet of floor space nanyang technological university s new campus building was

firms with mass engineered timber met projects in singapore - Aug 19 2023

web mass engineered timber the list of architectural and c s engineering firms main contractors and specialist builders with completed or on going met projects in singapore are shown below architecture firms architects project group llp architects vista pte ltd dp architects pte ltd id architects pte ltd surbana jurong private limited

wood supplier sin joo lee timber pte ltd - Jun 17 2023

web our services your trusted suppliers of quality timber direct from our own sawmill since 1975 for all construction marine wholesale retail markets our products call us at 6363 9266 variety widest range of wood panels

mass timber construction laminated timber think wood - May 16 2023

web create a mass timber piece mass timber inspires innovation valued for its natural beauty strength and versatility wood offers endless possibilities in architecture and design conveying warmth and sophistication it can be used as a load bearing structure and an interior finish material

sanho timber - Mar 14 2023

web we supply wood materials and related services to industrial commercial community and home domestic users for decking furniture making heavy construction marine as well as educational technical craft purposes

modern business statistics with microsoft excel solutions manual - Sep 03 2022

web modern business statistics with microsoft excel 5th edition anderson solutions manual pdf free download as pdf file pdf text file txt or read online for free

modern business statistics with microsoft excel david r - Mar 29 2022

web modern business statistics with microsoft excel 7th edition is written by david r anderson dennis j sweeney thomas a williams jeffrey d camm james j cochran and published by cengage learning

solutions for essentials of modern business statistics 5th - Jul 13 2023

web step by step video answers explanations by expert educators for all essentials of modern business statistics 5th by david r anderson dennis j sweeney thomas a

essentials of modern business statistics with microsoft excel - Dec 26 2021

web mar 13 2023 solution manual for essentials of modern business statistics with microsoft excel 8th edition david r

anderson solution stuvia us solution

[modern business statistics with microsoft excel david r](#) - Jul 01 2022

web jan 1 2014 step by step instructions and screen captures further clarify student learning a wealth of timely business examples proven methods and additional exercises

[test bank and solutions for modern business statistics with](#) - Mar 09 2023

web test bank and solutions for modern business statistics with microsoft excel 7th edition 7e by anderson university new york university course statistics for

modern business statistics with microsoft excel david r - Nov 05 2022

web about this product introduce business statistics using the text that has lead the market for three decades essentials of modern business statistics 7e integrates

modern business statistics with microsoft excel 7th edition - Feb 25 2022

web 2 1 solutions manual to accompany essentials of modern business statistics with microsoft excel second edition david r anderson university of cincinnati dennis j

modern business statistics with microsoft excel 5th edition - Feb 08 2023

web textbook solutions for modern business statistics with microsoft excel 5th edition david r anderson and others in this series view step by step homework solutions for your

[solution manual for essentials of modern business statistics](#) - Nov 24 2021

web description modern business statistics with microsoft excel 6th edition anderson solutions manual this is not the text book you are buying solutions manual for modern business statistics with microsoft excel 6th edition by anderson solutions manual comes in a pdf or word format and available for download only

modern business statistics david anderson dennis sweeney - Apr 29 2022

web jan 1 2020 modern business statistics with microsoft excel david r anderson dennis j sweeney thomas a williams jeffrey d camm james j cochran cengage

modern business statistics with microsoft excel - Jan 07 2023

web textbook solutions for essentials of modern business statistics with microsoft 7th edition david r anderson and others in this series view step by step homework

[modern business statistics with microsoft excel 6th edition](#) - Sep 22 2021

[modern business statistics with microsoft excel 6th edition anderson](#) - Oct 24 2021

web mar 9 2023 modern business statistics with microsoft excel 6th edition anderson solutions manual solutions manual to

accompany modern business statistics 6th

[solutions for essentials of modern business statistics](#) - Dec 06 2022

web jan 1 2020 develop a strong conceptual understanding of statistics and its importance in business today with modern business statistics with microsoft excel

essentials of modern business statistics 5th edition solutions - Aug 14 2023

web find step by step solutions and answers to essentials of modern business statistics 9781133433026 as well as thousands of textbooks so you can move forward with

essentials of modern business statistics with microsoft cengage - Oct 04 2022

web modern business statistics with microsoft excel solutions manual anderson david r david ray 1941 free download borrow and streaming internet archive

essentials of modern business statistics with microsoft quizlet - Apr 10 2023

web our resource for essentials of modern business statistics with microsoft office excel includes answers to chapter exercises as well as detailed information to walk you

modern business statistics with microsoft excel 5th edition - Aug 02 2022

web jan 1 2014 david r anderson dennis j sweeney thomas a williams cengage learning jan 1 2014 education 1056 pages modern business statistics 5e

[modern business statistics with microsoft excel 7th edition](#) - Jun 12 2023

web modern business statistics with microsoft excel 7th edition book edition 7th edition author s anderson sweeney williams camm cochran isbn

[modern business statistics with microsoft excel david r](#) - May 31 2022

web jun 9 2008 a wealth of timely business examples proven methods and application exercises clearly demonstrate how statistical results provide insights into business

modern business statistics with microsoft excel 7th edition chegg - May 11 2023

web step by step solution step 1 of 2 statistics as a numerical fact is a numerical information also known as data used to describe an event occurrence or phenomena such as averages medians percent and index numbers that help us understand a variety of business and economic conditions step 2 of 2 statistics as a discipline uses statistics

essentials of modern business statistics pdf document - Jan 27 2022

web essentials of modern business statistics with microsoft excel 8th edition is written by david anderson and published by cengage learning the digital and etextbook isbns