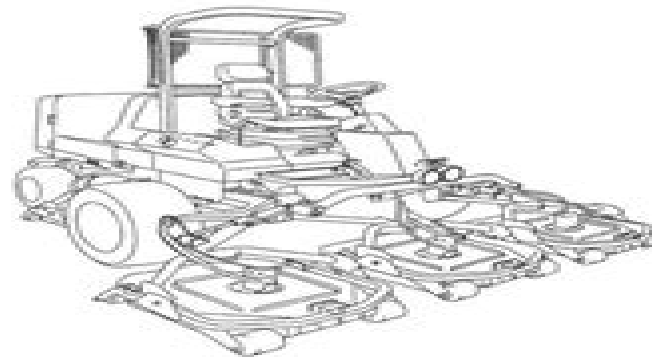


GM2800B

5-Unit Rotary Mower

Owner's Operating Manual



Serial No. GM2800B : 12370-

"Required reading"

Read this manual and the Owner's Manual for the engine before using the machine.

BARONESS
Quality on Demand

Ver.1.4

Kubota 2800 Operators Manual

Puja Mehta



Kubota 2800 Operators Manual:

Fuel your quest for knowledge with Learn from is thought-provoking masterpiece, **Kubota 2800 Operators Manual** . This educational ebook, conveniently sized in PDF (PDF Size: *), is a gateway to personal growth and intellectual stimulation. Immerse yourself in the enriching content curated to cater to every eager mind. Download now and embark on a learning journey that promises to expand your horizons. .

http://www.armchairempire.com/book/Resources/HomePages/kawasaki_vulcan_800_classic_95_05_clymer_motorcycle_repair_by_penton_staff_2000_paperback.pdf

Table of Contents Kubota 2800 Operators Manual

1. Understanding the eBook Kubota 2800 Operators Manual
 - The Rise of Digital Reading Kubota 2800 Operators Manual
 - Advantages of eBooks Over Traditional Books
2. Identifying Kubota 2800 Operators Manual
 - Exploring Different Genres
 - Considering Fiction vs. Non-Fiction
 - Determining Your Reading Goals
3. Choosing the Right eBook Platform
 - Popular eBook Platforms
 - Features to Look for in an Kubota 2800 Operators Manual
 - User-Friendly Interface
4. Exploring eBook Recommendations from Kubota 2800 Operators Manual
 - Personalized Recommendations
 - Kubota 2800 Operators Manual User Reviews and Ratings
 - Kubota 2800 Operators Manual and Bestseller Lists
5. Accessing Kubota 2800 Operators Manual Free and Paid eBooks
 - Kubota 2800 Operators Manual Public Domain eBooks
 - Kubota 2800 Operators Manual eBook Subscription Services

- Kubota 2800 Operators Manual Budget-Friendly Options
- 6. Navigating Kubota 2800 Operators Manual eBook Formats
 - ePub, PDF, MOBI, and More
 - Kubota 2800 Operators Manual Compatibility with Devices
 - Kubota 2800 Operators Manual Enhanced eBook Features
- 7. Enhancing Your Reading Experience
 - Adjustable Fonts and Text Sizes of Kubota 2800 Operators Manual
 - Highlighting and Note-Taking Kubota 2800 Operators Manual
 - Interactive Elements Kubota 2800 Operators Manual
- 8. Staying Engaged with Kubota 2800 Operators Manual
 - Joining Online Reading Communities
 - Participating in Virtual Book Clubs
 - Following Authors and Publishers Kubota 2800 Operators Manual
- 9. Balancing eBooks and Physical Books Kubota 2800 Operators Manual
 - Benefits of a Digital Library
 - Creating a Diverse Reading Collection Kubota 2800 Operators Manual
- 10. Overcoming Reading Challenges
 - Dealing with Digital Eye Strain
 - Minimizing Distractions
 - Managing Screen Time
- 11. Cultivating a Reading Routine Kubota 2800 Operators Manual
 - Setting Reading Goals Kubota 2800 Operators Manual
 - Carving Out Dedicated Reading Time
- 12. Sourcing Reliable Information of Kubota 2800 Operators Manual
 - Fact-Checking eBook Content of Kubota 2800 Operators Manual
 - Distinguishing Credible Sources
- 13. Promoting Lifelong Learning
 - Utilizing eBooks for Skill Development
 - Exploring Educational eBooks
- 14. Embracing eBook Trends

- Integration of Multimedia Elements
- Interactive and Gamified eBooks

Kubota 2800 Operators Manual Introduction

In today's digital age, the availability of Kubota 2800 Operators Manual books and manuals for download has revolutionized the way we access information. Gone are the days of physically flipping through pages and carrying heavy textbooks or manuals. With just a few clicks, we can now access a wealth of knowledge from the comfort of our own homes or on the go. This article will explore the advantages of Kubota 2800 Operators Manual books and manuals for download, along with some popular platforms that offer these resources. One of the significant advantages of Kubota 2800 Operators Manual books and manuals for download is the cost-saving aspect. Traditional books and manuals can be costly, especially if you need to purchase several of them for educational or professional purposes. By accessing Kubota 2800 Operators Manual versions, you eliminate the need to spend money on physical copies. This not only saves you money but also reduces the environmental impact associated with book production and transportation. Furthermore, Kubota 2800 Operators Manual books and manuals for download are incredibly convenient. With just a computer or smartphone and an internet connection, you can access a vast library of resources on any subject imaginable. Whether you're a student looking for textbooks, a professional seeking industry-specific manuals, or someone interested in self-improvement, these digital resources provide an efficient and accessible means of acquiring knowledge. Moreover, PDF books and manuals offer a range of benefits compared to other digital formats. PDF files are designed to retain their formatting regardless of the device used to open them. This ensures that the content appears exactly as intended by the author, with no loss of formatting or missing graphics. Additionally, PDF files can be easily annotated, bookmarked, and searched for specific terms, making them highly practical for studying or referencing. When it comes to accessing Kubota 2800 Operators Manual books and manuals, several platforms offer an extensive collection of resources. One such platform is Project Gutenberg, a nonprofit organization that provides over 60,000 free eBooks. These books are primarily in the public domain, meaning they can be freely distributed and downloaded. Project Gutenberg offers a wide range of classic literature, making it an excellent resource for literature enthusiasts. Another popular platform for Kubota 2800 Operators Manual books and manuals is Open Library. Open Library is an initiative of the Internet Archive, a non-profit organization dedicated to digitizing cultural artifacts and making them accessible to the public. Open Library hosts millions of books, including both public domain works and contemporary titles. It also allows users to borrow digital copies of certain books for a limited period, similar to a library lending system. Additionally, many universities and educational institutions have their own digital libraries that provide free access to PDF books and manuals. These libraries often offer academic texts, research papers, and technical manuals, making them invaluable resources for students.

and researchers. Some notable examples include MIT OpenCourseWare, which offers free access to course materials from the Massachusetts Institute of Technology, and the Digital Public Library of America, which provides a vast collection of digitized books and historical documents. In conclusion, Kubota 2800 Operators Manual books and manuals for download have transformed the way we access information. They provide a cost-effective and convenient means of acquiring knowledge, offering the ability to access a vast library of resources at our fingertips. With platforms like Project Gutenberg, Open Library, and various digital libraries offered by educational institutions, we have access to an ever-expanding collection of books and manuals. Whether for educational, professional, or personal purposes, these digital resources serve as valuable tools for continuous learning and self-improvement. So why not take advantage of the vast world of Kubota 2800 Operators Manual books and manuals for download and embark on your journey of knowledge?

FAQs About Kubota 2800 Operators Manual Books

What is a Kubota 2800 Operators Manual PDF? A PDF (Portable Document Format) is a file format developed by Adobe that preserves the layout and formatting of a document, regardless of the software, hardware, or operating system used to view or print it. **How do I create a Kubota 2800 Operators Manual PDF?** There are several ways to create a PDF: Use software like Adobe Acrobat, Microsoft Word, or Google Docs, which often have built-in PDF creation tools. Print to PDF: Many applications and operating systems have a "Print to PDF" option that allows you to save a document as a PDF file instead of printing it on paper. Online converters: There are various online tools that can convert different file types to PDF. **How do I edit a Kubota 2800 Operators Manual PDF?** Editing a PDF can be done with software like Adobe Acrobat, which allows direct editing of text, images, and other elements within the PDF. Some free tools, like PDFescape or Smallpdf, also offer basic editing capabilities. **How do I convert a Kubota 2800 Operators Manual PDF to another file format?** There are multiple ways to convert a PDF to another format: Use online converters like Smallpdf, Zamzar, or Adobe Acrobats export feature to convert PDFs to formats like Word, Excel, JPEG, etc. Software like Adobe Acrobat, Microsoft Word, or other PDF editors may have options to export or save PDFs in different formats. **How do I password-protect a Kubota 2800 Operators Manual PDF?** Most PDF editing software allows you to add password protection. In Adobe Acrobat, for instance, you can go to "File" -> "Properties" -> "Security" to set a password to restrict access or editing capabilities. Are there any free alternatives to Adobe Acrobat for working with PDFs? Yes, there are many free alternatives for working with PDFs, such as: LibreOffice: Offers PDF editing features. PDFsam: Allows splitting, merging, and editing PDFs. Foxit Reader: Provides basic PDF viewing and editing capabilities. How do I compress a PDF file? You can use online tools like Smallpdf, ILovePDF, or desktop software like Adobe Acrobat to compress PDF files without significant quality loss. Compression reduces the file

size, making it easier to share and download. Can I fill out forms in a PDF file? Yes, most PDF viewers/editors like Adobe Acrobat, Preview (on Mac), or various online tools allow you to fill out forms in PDF files by selecting text fields and entering information. Are there any restrictions when working with PDFs? Some PDFs might have restrictions set by their creator, such as password protection, editing restrictions, or print restrictions. Breaking these restrictions might require specific software or tools, which may or may not be legal depending on the circumstances and local laws.

Find Kubota 2800 Operators Manual :

kawasaki vulcan 800 & classic 95 05 clymer motorcycle repair by penton staff 2000 paperback

ken ichi t26 shun matsuen ebook

[kenmore dishwasher model 665 manual](#)

[kenmore lawn mower user manual](#)

keeping the faith guidance for christian women facing abuse

kellenberger grinder manuals

[kawasaki th23 manual](#)

kenmore heavy duty washer model 110 manual

keeway 651 e manual

kenexa proveit quickbooks test answers

[kdl3215000 manual](#)

kawasaki zx6r ninja 1998 2008 service repair manual

kayla intsine discount coupons

~~*kawasaki z250 kz305 1979 1982 service repair manual*~~

keeping mum a comedy romance novel book 1

Kubota 2800 Operators Manual :

[der neue kosmos einführung in die astronomie und astrophysik](#) - Oct 23 2023

web der neue kosmos bietet in überschaubarem umfang eine zusammenhängende einführung in das gesamtgebiet der astronomie und astrophysik aus den bereichen klassische astronomie und planetensystem instrumente und beobachtungsverfahren sonne und sterne milchstraße und galaxien kosmologie entstehung des planetensystems

der neue kosmos book - Jun 19 2023

web der neue kosmos welt almanach atlas 2024 feb 08 2023 aktuell zuverlässig unentbehrlich das nachschlagewerk zum zeitgeschehen der neue kosmos welt almanach atlas 2024 liefert zahlen daten und fakten aus politik wirtschaft umwelt das jahrbuch enthält einen staaten teil in dem alle staaten der welt aufgeführt sind

[der neue kosmos welt almanach atlas 2022 amazon de](#) - Oct 11 2022

web der neue kosmos welt almanach atlas 2022 ell reate engler philip aubel henning isbn 9783440172070 kostenloser versand für alle bücher mit versand und verkauf duch amazon

der neue kosmos von albrecht unsöld buch 978 3 662 - Mar 16 2023

web der neue kosmos bietet in überschaubarem umfang eine zusammenhängende einföhrung in das gesamtgebiet der astronomie und astrophysik der korrigierte und erweiterte nachdruck trägt dem rasanten fortschritt der astronomischen forschung und beobachtungsmöglichkeiten weiterlesen

der neue kosmos einföhrung in die astronomie und astrophysik - Sep 22 2023

web der neue kosmos einföhrung in die astronomie und astrophysik unsöld albrecht baschek bodo isbn 9783540421771 kostenloser versand für alle bücher mit versand und verkauf duch amazon

der neue kosmos springerlink - May 18 2023

web book title der neue kosmos authors albrecht unsöld bodo baschek doi doi org 10 1007 978 3 662 06533 4 publisher springer berlin heidelberg ebook packages springer book archive copyright information springer verlag berlin heidelberg 1981 ebook isbn 978 3 662 06533 4 published 02 july 2013 edition number 3

der neue kosmos sternatlas sanford john amazon de bücher - May 06 2022

web der neue kosmos sternatlas sanford john isbn 9783440060872 kostenloser versand für alle bücher mit versand und verkauf duch amazon

kosmos der neue kinder kosmos tiere in afrika amazon de - Mar 04 2022

web kosmos der neue kinder kosmos tiere in afrika hensel wolfgang thiemeyer hildburg isbn 9783440065822 kostenloser versand für alle bücher mit versand und verkauf duch amazon kosmos der neue kinder kosmos tiere in afrika hensel wolfgang thiemeyer hildburg amazon de bücher

[der neue kosmos von bodo baschek albrecht unsöld bücher de](#) - Dec 13 2022

web der neue kosmos bietet in überschaubarem umfang eine zusammenhängende einföhrung in das gesamtgebiet der astronomie und astrophysik der korrigierte und erweiterte nachdruck trägt dem rasanten fortschritt der astronomischen forschung und beobachtungsmöglichkeiten in den zwei jahren seit dem ersten erscheinen der 7

[der neue kosmos welt almanach atlas 2023](#) - Jun 07 2022

web der neue kosmos welt almanach atlas 2023 1 0 spiegel bestseller das universelle nachschlagewerk zum zeitgeschehen

umfassende informationen zu allen staaten und den aktuellen themen der welt kompletter weltatlas mit hochwertiger kosmos kartografie tophema 2023 klima printausgabe ebook version anzahl das produkt ist nicht verfügbar

der neue kosmos springerlink - Jan 14 2023

web der neue kosmos home book authors albrecht unsöld part of the book series heidelberger taschenbücher htb volume 16 17 1242 accesses 11 citations sections table of contents keywords authors and affiliations bibliographic information table of contents 31 chapters search within book page of 2 front matter pages n1 x pdf

der neue kosmos unsöld albrecht 1905 1995 archive org - Nov 12 2022

web der neue kosmos by unso ld albrecht 1905 1995 publication date 1967 topics astronomy astronomie astronomy 39 00 astronomy general astrophysik kosmologie weltall sterrenkunde publisher berlin new york springer verlag

der neue kosmos springerlink - Aug 21 2023

web die neuen beobachtungsmöglichkeiten durch die raumfahrt die entwicklung hochempfindlicher lichtdetektoren und der einsatz leistungsstarker computer haben uns neuartige aspekten in der faszinierenden welt der galaxien und quasare der sterne und planeten erschlossen

der neue kosmos einführung in die astronomie und - Apr 17 2023

web der neue kosmos einführung in die astronomie und astrophysik unsöld albrecht baschek bodo amazon sg books

der neue kosmos by albrecht unsöld open library - Aug 09 2022

web oct 4 2020 der neue kosmos by albrecht unsöld 1967 springer verlag edition in german deutsch

der neue kosmos von albrecht unsöld isbn 978 3 662 45992 8 lehmanns de - Sep 10 2022

web der neue kosmos von albrecht unsöld bodo baschek isbn 978 3 662 45992 8 bestellen schnelle lieferung auch auf rechnung lehmanns de

der neue kosmos einführung in die astronomie und astrophysik - Jul 20 2023

web der neue kosmos bietet in überschaubarem umfang eine zusammenhängende einführung in das gesamtgebiet der astronomie und astrophysik der korrigierte und erweiterte nachdruck trägt dem rasanten fortschritt der astronomischen forschung und beobachtungsmöglichkeiten in den zwei jahren seit dem ersten erscheinen der 7

neos kosmos greek news culture entertainment lifestyle - Apr 05 2022

web the latest greek australian news opinion features culture food entertainment and sport from neos kosmos in melbourne australia

der neue kosmos springerlink - Feb 15 2023

web book title der neue kosmos authors albrecht unsöld doi doi org 10 1007 978 3 662 06534 1 publisher springer berlin heidelberg ebook packages springer book archive copyright information springer verlag berlin heidelberg 1974 ebook isbn

978 3 662 06534 1 published 02 july 2013 edition number 2 number of pages xii 440

der neue kosmos worldcat org - Jul 08 2022

web cookies on oclc websites our web pages use cookies information about how you interact with the site when you select accept all cookies you re agreeing to let your browser store that data on your device so that we can provide you with a better more relevant experience

the black dahlia novel wikipedia - May 16 2023

web the black dahlia 1987 is a crime fiction novel by american author james ellroy its subject is the 1947 murder of elizabeth short in los angeles california which received wide attention because her corpse was horrifically mutilated and discarded in an empty residential lot the investigation ultimately led to a broad police corruption scandal

10 shocking facts about the black dahlia hollywood s most - Feb 13 2023

web jan 30 2019 1 a mother and her toddler found elizabeth short s body on the morning of january 15 1947 betty bersinger was pushing her 3 year old daughter anne in a stroller down the sidewalk heading to a

the black dahlia rotten tomatoes - Dec 11 2022

web based on a novel the story follows a pair of police detectives that are assigned to one of the notorious black dahlia murders of the 1940s but the investigation uncovers their own dark secrets

the black dahlia 2006 imdb - Aug 19 2023

web sep 15 2006 the black dahlia directed by brian de palma with josh hartnett scarlett johansson aaron eckhart hilary swank two policemen see their personal and professional lives fall apart in the wake of the black

i know who killed the black dahlia my own father - Jan 12 2023

web may 26 2016 george was a grandiose doctor with a distant personality who abandoned the family shortly after steve s ninth birthday eventually moving far away to the philippines as he went through his

black dahlia murder movie case biography - Apr 15 2023

web apr 2 2014 1924 1947 who was elizabeth short nicknamed the black dahlia elizabeth short an aspiring actress was brutally murdered in los angeles california her body cut in half and severely

black dahlia fbi - Jul 18 2023

web on the morning of january 15 1947 a mother taking her child for a walk in a los angeles neighborhood stumbled upon a gruesome sight the body of a young naked woman sliced clean in half at the

the black dahlia los angeles most famous unsolved murder - Mar 14 2023

web jan 8 2017 as the 70th anniversary of the black dahlia murder approaches the public fascination with elizabeth short and her grisly unsolved death hasn t dimmed james bartlett takes a look at how los

[black dahlia wikipedia](#) - Sep 20 2023

web elizabeth short july 29 1924 c january 14 15 1947 known posthumously as the black dahlia was an american woman found murdered in the leimert park neighborhood of los angeles california on january 15 1947 her case became highly publicized owing to the gruesome nature of the crime which included the mutilation of her corpse

the black dahlia film wikipedia - Jun 17 2023

web the black dahlia is a 2006 neo noir crime thriller film directed by brian de palma and written by josh friedman based on the 1987 novel of the same name by james ellroy in turn inspired by the widely sensationalized murder of elizabeth short

[adac reiseführer plus leipzig travel guides freytag berndt](#) - Oct 30 2022

web der praktische adac reiseführer plus leipzig begleitet sie in die sächsische kulturstadt und bietet übersichtliche ab 24 gratis versand nach at de online bestellen adac reiseführer plus leipzig travel guides freytag berndt

[deutsche führerscheine im ausland adac](#) - Mar 23 2022

web wo sie den internationalen führerschein brauchen in einigen ländern benötigen sie zusätzlich zum nationalen führerschein einen internationalen führerschein um autofahren zu dürfen adac juristen erklären die wichtigsten punkte mehr in vielen staaten außerhalb der eu benötigen deutsche den internationalen führerschein

[adac reiseführer leipzig by jens van rooij overdrive](#) - Feb 02 2023

web jun 4 2020 clevere elemente für noch bessere orientierung und leichtere urlaubsplanung Übersichts und detailkarten adac quickfinder ihr persönlicher erlebnis wegweiser Übersichtsseiten mit hotels am ende jedes kapitels für eilige vorschläge für einen spannenden tag in leipzig mit klaren icons alles auf einen blick

adac reiseführer leipzig 9783899054712 zvb - Apr 23 2022

web adac reiseführer leipzig 0 durchschnittliche bewertung 0 bewertungen bei goodreads softcover isbn 10 3899054717 isbn 13 9783899054712 zu dieser isbn ist aktuell kein angebot verfügbar alle exemplare der ausgabe mit dieser isbn anzeigen gebraucht kaufen befriedigend good durchschnittlich

adac reiseführer plus leipzig german kağıt kapak - Sep 28 2022

web adac reiseführer plus leipzig german tzschaschel sabine rooij jens van lopez guerrero gabriel calvo amazon com tr kitap

[adac reiseführer leipzig der kompakte mit den adac top](#) - Apr 04 2023

web adac reiseführer leipzig der kompakte mit den adac top tipps und cleveren klappenkarten kindle ausgabe von jens van rooij autor format kindle ausgabe 4 7 25 sternebewertungen teil von adac reiseführer 108 bücher alle

ihr adac in sachsen - Nov 30 2022

web oct 5 2011 clubservice in der adac geschäftsstelle petersstraße 48 04109 leipzig barrierefreier zugang Öffnungszeiten mo fr 9 18 uhr sa 9 13 uhr kontakt t 0341 70 23 40 adac service leipzig sas adac de beratungstermin vereinbaren

adac reiseführer plus leipzig thalia - May 05 2023

web der praktische adac reiseführer plus leipzig begleitet sie in die sächsische kulturstadt und bietet übersichtliche informationen zu allen sehenswürdigkeiten spannende hintergründe zu geschichte kunst und kultur sowie umfangreiches kartenmaterial in bester qualität leipzig bietet geschichte und geschichten kultur und natur und ist wohl

adac reiseführer leipzig 9783956892080 zvab - May 25 2022

web adac reiseführer leipzig lopez guerrero gabriel calvo tzschaschel sabine isbn 10 3956892089 isbn 13 9783956892080 gebraucht softcover anzahl 1 anbieter medimops berlin deutschland bewertung buchbeschreibung befriedigend good durchschnittlich erhaltenes buch bzw schutzumschlag mit gebrauchsspuren aber

reisebüro leipzig adac - Sep 09 2023

web oct 19 2023 petersstraße 48 04109 leipzig Öffnungszeiten mo fr 9 18 uhr sa 9 13 uhr kontakt adac reise leipzig sas adac de t 0341 702 34 21 achtung am 15 november bleibt unser reisebüro aufgrund einer schulungsmaßnahme geschlossen am donnerstag 16 11 öffnen wir erst 13 00 uhr

adac reiseführer leipzig gma digital - Jun 06 2023

web adac reiseführer leipzig der kompakte mit den adac top tipps und cleveren klappkarten adac reiseführer deutsch leipzig bietet geschichte und geschichten kultur und natur und ist wohl die schönste kleine großstadt sachsens

adac reiseführer leipzig reiseführer adac online shop - Oct 10 2023

web adac reiseführer leipzig 9 99 inkl mwst zzgl mögl versandkosten art nr 9783956897726 der kompakte mit den adac top tipps und cleveren klappenkarten in den warenkorb lieferbar in 5 7 werktagen leipzig bietet geschichte und geschichten kultur und natur und ist wohl die schönste kleine großstadt sachsens

adac reiseführer leipzig der kompakte mit den adac top - Jan 01 2023

web adac reiseführer leipzig der kompakte mit den adac top tipps und cleveren klappenkarten van rooij jens amazon de bücher bücher reise abenteuer sonderreisen neu 9 99 weitere informationen kostenfreie retouren samstag 29 april lieferadresse wählen auf lager menge in den einkaufswagen jetzt kaufen

adac reiseführer leipzig adac buchverlag freytag berndt - Mar 03 2023

web die adac reiseführer bieten schnelle orientierung übersichtliche informationen zu allen wichtigen sehenswürdigkeiten ab 24 gratis versand nach at de online bestellen adac reiseführer leipzig adac buchverlag freytag berndt

besten reiseführer leipzig 2023 nov empfehlungen - Jun 25 2022

web bes ter rei se füh rer für leipzig wel cher rei se füh rer für leip zig ist der beste reiseführer für leipzig in tagesaktuellen bestenlisten vom sonntag 5 november 2023 die beliebtesten die hochwertigsten die bestbewerteten und die

führerscheinübersetzung adac - Feb 19 2022

web apr 3 2023 wo kann ich meinen führerschein übersetzen bzw klassifizieren lassen in allen adac geschäftsstellen des adac hansa können sie ihren führerschein übersetzen lassen suchen sie einfach die passende stelle in ihrer nähe und kommen sie vorbei hamburg city hamburg harburg lüneburg schwerin rostock neubrandenburg

reiseführer für leipzig online kaufen thalia - Jul 27 2022

web dumont direkt reiseführer leipzig buch taschenbuch weitere 13 95 sofort lieferbar lieferung bitte wählen sie ihre buchhandlung click collect auf meinen merkzettel priska lachmann leipzig unterwegs mit deinen lieblingsemenschen buch kunststoff einband 16 00 sofort lieferbar lieferung

adac reiseführer leipzig holiday books - Aug 28 2022

web die adac reiseführer bieten schnelle orientierung übersichtliche informationen zu allen wichtigen sehenswürdigkeiten und viel extra service für entspanntes reisen in puncto Überblick info qualität und einfachem handling nicht zu toppen für perfekte orientierung vor ort sorgen zahlreiche pläne im innenteil sowie die

reiseführer adac - Aug 08 2023

web die adac reiseführer informieren kompetent über land leute gastronomie und touristische glanzpunkte Über 60 titel bieten dazu exakte karten und clevere pläne

adac reiseführer leipzig lebendige kulturstadt mit 10 adac - Jul 07 2023

web adac reiseführer leipzig lebendige kulturstadt mit 10 adac top tipps und 25 adac empfehlungen lopez guerrero gabriel calvo rooij jens van tzschaschel sabine amazon com tr kitap