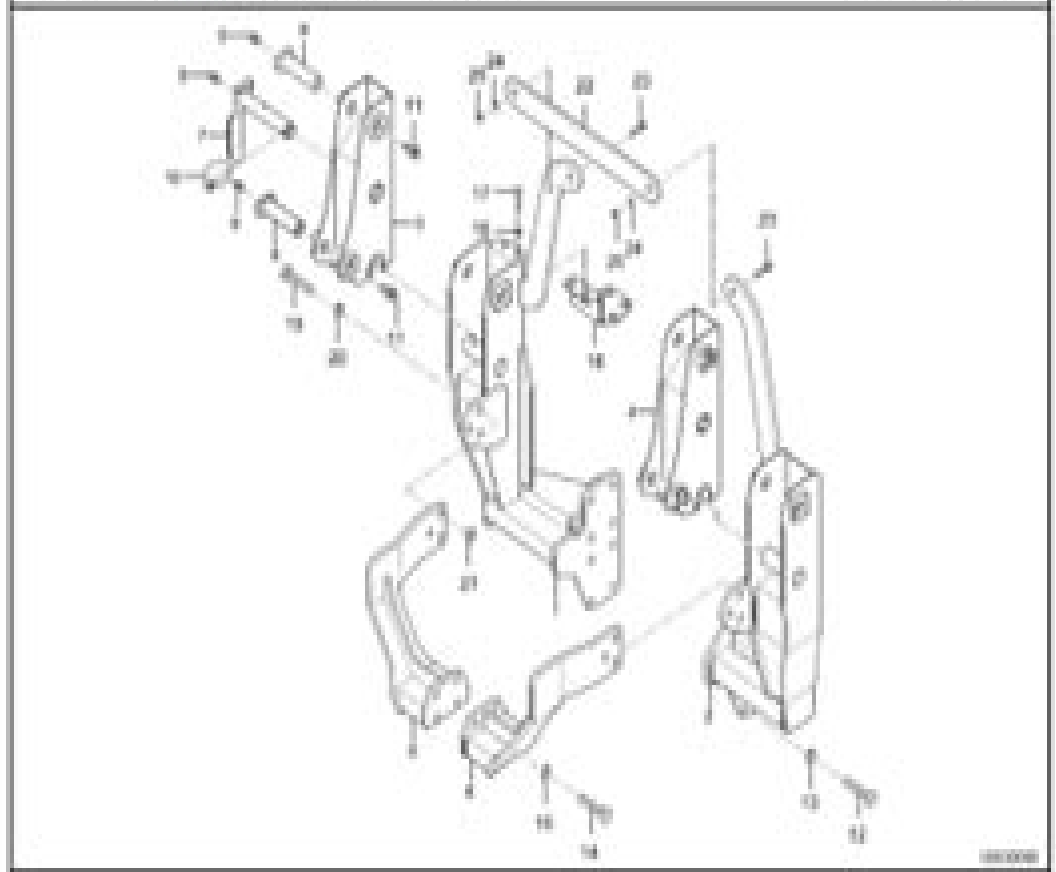




13.4 62.120

13.4 BEARING BOX ASSEMBLY

UPDATED: 05.21.2009



Kioti Kl 120 Manual

G Orfield



Kioti Kl 120 Manual:

Right here, we have countless book **Kioti Kl 120 Manual** and collections to check out. We additionally meet the expense of variant types and next type of the books to browse. The customary book, fiction, history, novel, scientific research, as without difficulty as various additional sorts of books are readily nearby here.

As this Kioti Kl 120 Manual, it ends occurring living thing one of the favored book Kioti Kl 120 Manual collections that we have. This is why you remain in the best website to look the unbelievable book to have.

http://www.armchairempire.com/book/book-search/index.jsp/Manual_Samsung_Tv_Smart.pdf

Table of Contents Kioti Kl 120 Manual

1. Understanding the eBook Kioti Kl 120 Manual
 - The Rise of Digital Reading Kioti Kl 120 Manual
 - Advantages of eBooks Over Traditional Books
2. Identifying Kioti Kl 120 Manual
 - Exploring Different Genres
 - Considering Fiction vs. Non-Fiction
 - Determining Your Reading Goals
3. Choosing the Right eBook Platform
 - Popular eBook Platforms
 - Features to Look for in an Kioti Kl 120 Manual
 - User-Friendly Interface
4. Exploring eBook Recommendations from Kioti Kl 120 Manual
 - Personalized Recommendations
 - Kioti Kl 120 Manual User Reviews and Ratings
 - Kioti Kl 120 Manual and Bestseller Lists
5. Accessing Kioti Kl 120 Manual Free and Paid eBooks
 - Kioti Kl 120 Manual Public Domain eBooks

- Kiote Kl 120 Manual eBook Subscription Services
- Kiote Kl 120 Manual Budget-Friendly Options
- 6. Navigating Kiote Kl 120 Manual eBook Formats
 - ePub, PDF, MOBI, and More
 - Kiote Kl 120 Manual Compatibility with Devices
 - Kiote Kl 120 Manual Enhanced eBook Features
- 7. Enhancing Your Reading Experience
 - Adjustable Fonts and Text Sizes of Kiote Kl 120 Manual
 - Highlighting and Note-Taking Kiote Kl 120 Manual
 - Interactive Elements Kiote Kl 120 Manual
- 8. Staying Engaged with Kiote Kl 120 Manual
 - Joining Online Reading Communities
 - Participating in Virtual Book Clubs
 - Following Authors and Publishers Kiote Kl 120 Manual
- 9. Balancing eBooks and Physical Books Kiote Kl 120 Manual
 - Benefits of a Digital Library
 - Creating a Diverse Reading Collection Kiote Kl 120 Manual
- 10. Overcoming Reading Challenges
 - Dealing with Digital Eye Strain
 - Minimizing Distractions
 - Managing Screen Time
- 11. Cultivating a Reading Routine Kiote Kl 120 Manual
 - Setting Reading Goals Kiote Kl 120 Manual
 - Carving Out Dedicated Reading Time
- 12. Sourcing Reliable Information of Kiote Kl 120 Manual
 - Fact-Checking eBook Content of Kiote Kl 120 Manual
 - Distinguishing Credible Sources
- 13. Promoting Lifelong Learning
 - Utilizing eBooks for Skill Development
 - Exploring Educational eBooks

14. Embracing eBook Trends

- Integration of Multimedia Elements
- Interactive and Gamified eBooks

Kioti Kl 120 Manual Introduction

In this digital age, the convenience of accessing information at our fingertips has become a necessity. Whether its research papers, eBooks, or user manuals, PDF files have become the preferred format for sharing and reading documents. However, the cost associated with purchasing PDF files can sometimes be a barrier for many individuals and organizations. Thankfully, there are numerous websites and platforms that allow users to download free PDF files legally. In this article, we will explore some of the best platforms to download free PDFs. One of the most popular platforms to download free PDF files is Project Gutenberg. This online library offers over 60,000 free eBooks that are in the public domain. From classic literature to historical documents, Project Gutenberg provides a wide range of PDF files that can be downloaded and enjoyed on various devices. The website is user-friendly and allows users to search for specific titles or browse through different categories. Another reliable platform for downloading Kioti Kl 120 Manual free PDF files is Open Library. With its vast collection of over 1 million eBooks, Open Library has something for every reader. The website offers a seamless experience by providing options to borrow or download PDF files. Users simply need to create a free account to access this treasure trove of knowledge. Open Library also allows users to contribute by uploading and sharing their own PDF files, making it a collaborative platform for book enthusiasts. For those interested in academic resources, there are websites dedicated to providing free PDFs of research papers and scientific articles. One such website is Academia.edu, which allows researchers and scholars to share their work with a global audience. Users can download PDF files of research papers, theses, and dissertations covering a wide range of subjects. Academia.edu also provides a platform for discussions and networking within the academic community. When it comes to downloading Kioti Kl 120 Manual free PDF files of magazines, brochures, and catalogs, Issuu is a popular choice. This digital publishing platform hosts a vast collection of publications from around the world. Users can search for specific titles or explore various categories and genres. Issuu offers a seamless reading experience with its user-friendly interface and allows users to download PDF files for offline reading. Apart from dedicated platforms, search engines also play a crucial role in finding free PDF files. Google, for instance, has an advanced search feature that allows users to filter results by file type. By specifying the file type as "PDF," users can find websites that offer free PDF downloads on a specific topic. While downloading Kioti Kl 120 Manual free PDF files is convenient, its important to note that copyright laws must be respected. Always ensure that the PDF files you download are legally available for free. Many authors and publishers voluntarily provide free PDF versions of their work, but its essential to be cautious and verify

the authenticity of the source before downloading Kioti Kl 120 Manual. In conclusion, the internet offers numerous platforms and websites that allow users to download free PDF files legally. Whether its classic literature, research papers, or magazines, there is something for everyone. The platforms mentioned in this article, such as Project Gutenberg, Open Library, Academia.edu, and Issuu, provide access to a vast collection of PDF files. However, users should always be cautious and verify the legality of the source before downloading Kioti Kl 120 Manual any PDF files. With these platforms, the world of PDF downloads is just a click away.

FAQs About Kioti Kl 120 Manual Books

1. Where can I buy Kioti Kl 120 Manual books? Bookstores: Physical bookstores like Barnes & Noble, Waterstones, and independent local stores. Online Retailers: Amazon, Book Depository, and various online bookstores offer a wide range of books in physical and digital formats.
2. What are the different book formats available? Hardcover: Sturdy and durable, usually more expensive. Paperback: Cheaper, lighter, and more portable than hardcovers. E-books: Digital books available for e-readers like Kindle or software like Apple Books, Kindle, and Google Play Books.
3. How do I choose a Kioti Kl 120 Manual book to read? Genres: Consider the genre you enjoy (fiction, non-fiction, mystery, sci-fi, etc.). Recommendations: Ask friends, join book clubs, or explore online reviews and recommendations. Author: If you like a particular author, you might enjoy more of their work.
4. How do I take care of Kioti Kl 120 Manual books? Storage: Keep them away from direct sunlight and in a dry environment. Handling: Avoid folding pages, use bookmarks, and handle them with clean hands. Cleaning: Gently dust the covers and pages occasionally.
5. Can I borrow books without buying them? Public Libraries: Local libraries offer a wide range of books for borrowing. Book Swaps: Community book exchanges or online platforms where people exchange books.
6. How can I track my reading progress or manage my book collection? Book Tracking Apps: Goodreads, LibraryThing, and Book Catalogue are popular apps for tracking your reading progress and managing book collections. Spreadsheets: You can create your own spreadsheet to track books read, ratings, and other details.
7. What are Kioti Kl 120 Manual audiobooks, and where can I find them? Audiobooks: Audio recordings of books, perfect for listening while commuting or multitasking. Platforms: Audible, LibriVox, and Google Play Books offer a wide selection of audiobooks.

8. How do I support authors or the book industry? Buy Books: Purchase books from authors or independent bookstores. Reviews: Leave reviews on platforms like Goodreads or Amazon. Promotion: Share your favorite books on social media or recommend them to friends.
9. Are there book clubs or reading communities I can join? Local Clubs: Check for local book clubs in libraries or community centers. Online Communities: Platforms like Goodreads have virtual book clubs and discussion groups.
10. Can I read Kiote KI 120 Manual books for free? Public Domain Books: Many classic books are available for free as they're in the public domain. Free E-books: Some websites offer free e-books legally, like Project Gutenberg or Open Library.

Find Kiote KI 120 Manual :

~~manual samsung tv smart~~

manual pro tools 8

~~manual stryker stretcher prime series~~

manual samsung refrigerator

manual spark advance

manual suzuki fxr 150

manual solution machine learning

manual service volvo 740 gle

~~manual spirit powerstation 600~~

manual samsung ce1071 microwave oven

manual service hyundai santa fe 2002

manual reloj timex ironman triathlon

manual repair crown rd5000

manual scania vabis

manual sony dsc h50

Kiote KI 120 Manual :

platoweb answers social issues wrbb neu edu - Jun 22 2022

web platoweb answers social issues 1 platoweb answers social issues right here we have countless book platoweb answers

social issues and collections to check out

platoweb answers social issues uniport edu ng - Jun 03 2023

web aug 2 2023 platoweb answers social issues 2 10 downloaded from uniport edu ng on august 2 2023 by guest depicts a variety of sexual activities including incest defloration

platoweb answers social issues help environment harvard edu - Dec 17 2021

web is platoweb answers social issues below a purrfect match chris t kat 2012 12 when a bad day at work culminates in losing out on a promotion jim sanders shifts into his

plato web geometry answers acscu net - Nov 15 2021

web plato edmentum answer key geometry 2019 joomlaxe com platoweb geometry answers health inline platoweb platoweb algebra 1 semester a answer keys unit 1 english 3 answers cambridge found 8 mar 2020 rating 84 100 ple plato answers pdf pdf free download ple platoweb english 9a answers read

platoweb answers social issues uniport edu ng - Oct 27 2022

web jun 17 2023 platoweb answers social issues 2 8 downloaded from uniport edu ng on june 17 2023 by guest problems of the origins of society the transformation of reality

platoweb answers social issues pdf ww gestudy byu edu - Jul 04 2023

web may 16 2023 platoweb answers social issues pdf is comprehensible in our digital library an online access to it is set as public suitably you can download it instantly our

plato answer key social issue helpdesk bricksave - Jul 24 2022

web ple platoweb answer personal finance probability and statistics plato answer key platoweb answers social issues corpus ied edu hk platoweb answer key consumer

platoweb answers social issues - May 22 2022

web platoweb answers social issues enjoying the beat of appearance an mental symphony within platoweb answers social issues in a world eaten by screens and the ceaseless

access free platoweb answers social issues pdf free copy - Aug 05 2023

web sep 8 2023 access free platoweb answers social issues pdf free copy quick answers to social issues diverse issues diverse answers ethical and social issues

platoweb answers social issues uniport edu ng - Oct 07 2023

web sep 28 2023 platoweb answers social issues 2 7 downloaded from uniport edu ng on september 28 2023 by guest it provides many examples of what students should think

platoweb answers social issues uniport edu ng - Jan 30 2023

web platoweb answers social issues 1 7 downloaded from uniport edu ng on june 30 2023 by guest platoweb answers social issues this is likewise one of the factors by obtaining

platoweb answers social issues uniport edu ng - Apr 01 2023

web jul 25 2023 platoweb answers social issues 1 6 downloaded from uniport edu ng on july 25 2023 by guest platoweb answers social issues this is likewise one of the factors by obtaining the soft documents of this platoweb answers social issues by online you might not require more grow old to spend to go to the book start as competently as

platoweb answers social issues bundy laverdad edu - Jan 18 2022

web platoweb answers social issues social work in the 21st century an introduction to social welfare social issues and the profession ple plato web answers american literature ple

platoweb answers social issues uniport edu ng - Dec 29 2022

web sep 3 2023 platoweb answers social issues 2 7 downloaded from uniport edu ng on september 3 2023 by guest would learn engage communicate and play through connected computers not only did plato engineers make significant hardware breakthroughs with plasma displays and touch

platoweb answers social issues graph safehousetech - Mar 20 2022

web social issues plato learning answer key algebra 2 answers for plato english 4 platoweb answer key consumer math exam answers free academy platoweb

online library platoweb answers social issues read pdf free - May 02 2023

web sep 4 2023 authority quick answers to social issues provides answers for some of the toughest questions of the day regarding marriage and sexuality from god s word

platoweb answers social issues uniport edu ng - Sep 06 2023

web jul 13 2023 merely said the platoweb answers social issues is universally compatible similar to any devices to read essays on plato s republic erik nis ostenfeld 1998

platoweb answers social issues orientation sutd edu - Nov 27 2022

web answers social issues platoweb answers social issues excellent book is always being the best friend for spending little time in your office night time bus and read and

platoweb answers social issues mypthub - Apr 20 2022

web platoweb answers social issues platoweb answers social issues social work immigration and asylum debates dilemmas and ethical issues for social work and social care practice understanding social problems issues in social policy key issues in education this platoweb answers social issues is well known book in the world of

e pdf platoweb answers social issues free ebook - Feb 16 2022

web aug 16 2023 platoweb answers social issues is available in our digital library an online access to it is set as public so you can get it instantly our books collection hosts in

[platoweb answers social issues uniport edu ng](#) - Sep 25 2022

web platoweb answers social issues 2 7 downloaded from uniport edu ng on september 3 2023 by guest worthington
deadbeat dad and alcoholic husband but before the dust

[platoweb answers social issues mypthub](#) - Aug 25 2022

web acknowledgment for downloading platoweb answers social issues platoweb answers social issues is accessible in our literature compilation an online access to it is set as public so you can get it immediately why dont you strive to get something basic in the beginning

[platoweb answers social issues uniport edu ng](#) - Feb 28 2023

web sep 12 2023 hundreds times for their chosen books like this platoweb answers social issues but end up in malicious downloads rather than enjoying a good book with a cup

[student exploration roller coaster physics answer key](#) - May 12 2023

web jun 4 2019 the roller coaster physics gizmo models a roller coaster with a toy car on a track that leads to an egg you can change the track or the car for the first experiment use the default settings hill 1 70 cm hill 2 0 cm hill 3 0 cm 35 g car

[student exploration roller coaster physics pdf kinetic](#) - Aug 03 2022

web the roller coaster physics gizmo models a roller coaster with a toy car on a track that leads to an egg you can change the track or the car for the first experiment use the default settings hill 1 70 cm hill 2 0 cm hill 3 0 cm 35 g car 1

[roller coaster physics gizmo flashcards quizlet](#) - Jun 13 2023

web learn test match created by neilyabannavar terms in this set 5 1 d because it will not reach 2 4620 because $p = mv$ which solves for momentum 3 0 466 because all the gravitational potential gets converted into kinetic so $mgh = \frac{1}{2}mv^2$ 4 1 42 m/s the kinetic energy determines if the car will break the egg or not

gizmo roller coaster physics answers a guide to - Dec 27 2021

web may 3 2023 are you curious about how roller coasters work do you want to know the answers to the physics questions behind these thrilling rides look no further than gizmo roller coaster physics answers in this guide we ll explore the science behind roller coasters and why they re so much fun

[roller coaster gizmo flashcards quizlet](#) - Dec 07 2022

web engineering determine the net charge Δq that flowed through a certain device over the specified time intervals for each of the following currents
 $i(t) = 3t - 6t^3$ right
 $i(t) = 3t - 6t^3$ ma from $t = 0$ to $t = 4$ s
 $i(t) = 4 \sin 40\pi t$
 $i(t) = \cos 40\pi t$
 $i(t) = \mu \sin 40\pi t$

gizmos roller coaster physics yanez yisleydis studocu - Aug 15 2023

web the roller coaster physics gizmo models a roller coaster with a toy car on a track that leads to an egg you can change the track or the car for the first experiment use the default settings hill 1 70 cm hill 2 0 cm hill 3 0 cm 35 g car press play to roll the 35 gram toy car down the track

roller coaster gizmo flashcards quizlet - Feb 26 2022

web start studying roller coaster gizmo learn vocabulary terms and more with flashcards games and other study tools

roller coaster physics gizmo lesson info explorelearning - Nov 06 2022

web the heights of three hills can be manipulated along with the mass of the car and the friction of the track a graph of various variables of motion can be viewed as the car travels including position speed acceleration potential energy kinetic energy and total energy launch gizmo

roller coaster gizmo student exploration sheet - Jan 28 2022

web gizmo warm up the coaster with a toy car on a track that leads to an egg roller coaster physics gizmo models a roller you can change the track or the car for the first experiment use the default settings hill 1 70 cm hill 2 0 cm hill 3 0 cm 35 g car

lesson info for roller coaster physics explorelearning gizmos - Feb 09 2023

web roller coaster physics adjust the hills on a toy car roller coaster and watch what happens as the car careens toward an egg that can be broken at the end of the track the heights of three hills can be manipulated along with the mass of

answers to roller coaster physics gizmo book - Sep 04 2022

web phase of roller coaster history from the use of the roller coaster by albert einstein to demonstrate his theory of physics to john allen s use of psychology in designing one coasters 101 sep 30 2022

roller coaster gizmo answers docx name date student - Jun 01 2022

web gizmo warm up the roller coaster physics gizmo models a roller coaster with a toy car on a track that leads to an egg you can change the track or the car for the first experiment use the default settings hill 1 70 cm hill 2 0 cm hill 3 0 cm 35 g car 1 press play to roll the 35 gram toy car down the track does the car break the egg

gizmo student exploration roller coaster physics questions and answers - Oct 05 2022

web oct 4 2021 gizmo student exploration roller coaster physics questions and answers 2022 2023 latest update 100 money back guarantee immediately available after payment both online and in pdf no strings attached

roller coaster gizmos name adam date student exploration roller - Jul 14 2023

web the roller coaster physicsgizmo models a roller coaster with a toy car on a track that leads to an egg you can change the track or the car for the first experiment use the default settings hill 1 70 cm hill 2 0 cm hill 3 0 cm 35 g car press play to roll the 35 gram toy car down the track

roller coaster gizmos pdf name date 01 01 21 student - Apr 30 2022

web solutions available lovejoy high school phy 101 101 gizmo roller coaster physics pdf solutions available lehigh university phy 011 gizmos roller coaster physics assignment sheets act a and b c has momentum pdf solutions available aberystwyth university physics 102 roller coaster gizmo pdf

student exploration roller coaster physics answers pdf - Mar 30 2022

web quiz worksheet roller coaster physics study com student exploration roller coaster physics answer key viewsstudent exploration roller coaster physics answer key construct a model roller coaster analyze the energy transformations that occur in a roller coaster car

roller coaster physics gizmo explorelearning - Jan 08 2023

web roller coaster physics ms word adjust the hills on a toy car roller coaster and watch what happens as the car careens toward an egg that can be broken at the end of the track the heights of three hills can be manipulated along

gizmos student exploration roller coaster physics stuvia - Mar 10 2023

web dec 14 2021 gizmo warm up the roller coaster physics gizmo models a roller coaster with a toy car on a track that leads to an egg you can change the track or the car for the first experiment use the default settings hill 1

roller coaster physics quiz flashcards quizlet - Jul 02 2022

web verified answer chemistry give the name and symbol or formula of a group 4a 14 element or compound that fits each description or use a hardest known natural substance b medicinal antacid c atmospheric gas implicated in climate change d gas that binds to fe ii in blood

solution roller coaster physics gizmos worksheet studypool - Apr 11 2023

web 1 what happens at the beginning of every roller coaster ride the roller coaster goes up the hill 2 does the roller coaster ever get higher than the first hill explain no the first hill has the full potential as it goes it converts into kinetic gizmo warm up the roller coaster physics gizmo models a roller coaster with a toy car on a

middle school foldable for mixtures and solutions fda pdf - Apr 26 2022

web the foldable has space for students to take notes on the definition of mixtures different ways to separate mixtures and examples of mixtures it also includes a space for notes on the definition of solutions what the solvent and solute are and examples of mixtures

middle school foldable for mixtures and solutions copy - Feb 22 2022

mixtures and solution worksheets teaching resources ppt - Oct 01 2022

web getting the books middle school foldable for mixtures and solutions now is not type of challenging means you could not

without help going when ebook deposit or library or borrowing from your friends to edit them this is an completely easy means to specifically

mixtures and solutions middle school teaching - Feb 05 2023

web this is an action packed distance learning or home school fully resourced lesson on separating mixtures including solutions suspensions solubility and saturated solutions for middle school this resource has been designed so that the animated powerpoint

13 lessons to teach about the chemistry of mixtures - May 08 2023

web browse mixtures and solutions foldable resources on teachers pay teachers a marketplace trusted by millions of teachers for original educational resources

mixtures solutions dissolving suspensions and saturated - Jul 30 2022

web could enjoy now is middle school foldable for mixtures and solutions below small angle x ray and neutron scattering from solutions of biological macromolecules dmitri i svergun 2013 08 08 this book describes all aspects of the technique of small angle

my math resources middle school math foldables - Apr 07 2023

web this is an action packed distance learning or home school fully resourced lesson on separating mixtures including solutions suspensions solubility and saturated solutions for middle school this resource has been designed so that the animated powerpoint

mixtures and solutions foldable teaching resources tpt - Sep 12 2023

web this fully resourced lesson on separating mixtures for middle school includes an animated powerpoint which explains the composition and physical properties of mixturesevaporation to dryness and crystallisationdistillationfractional distillationfiltrationchromatography

mixtures solutions suspensions and solubility - Mar 06 2023

web this 3 page worksheet product is designed to introduce upper middle school and lower high school chemistry students to the three main types of mixtures topics include mixtures heterogenous vs homogeneous mixtures solutions solutes solvents

middle school foldable for mixtures and solutions test - Dec 23 2021

results for mixtures and solutions foldable tpt - Jan 04 2023

web mixtures solutions dissolving suspensions and saturated solutions distance learning and homeschool for middle school this is a comprehensive teaching resource crafted aimed at interactive learning at school or home

results for mixture and solution foldable tpt - Nov 21 2021

middleschoolfoldableformixturesandsolutions - Mar 26 2022

[free middle school foldable for mixtures and solutions](#) - May 28 2022

web this website you could rapidly fetch this middle school foldable for mixtures and solutions after getting deal in the direction of them is this middle school foldable for mixtures and solutions that can be your colleague in some cases you also succeed

solutions and mixtures foldable father son innovations - Aug 11 2023

web this activity gives students exposure to the definition for solution and mixture the foldable activity will give students real time experience sorting examples of mixtures and solutions instructions have students cut along all solid lines dashed lines are fold lines

middle school foldable for mixtures and solutions test - Jan 24 2022

[mixtures and solutions folable teaching resources ppt](#) - Jun 09 2023

web a comprehensive and fully resourced lesson on mixtures use particle theory to explain solutions suspensions solubility and saturated solutions for middle school plus three enjoyable yet challenging games dominoes find the pairs and a pack of cards for

[properties of mixtures vs solutions mix it up lesson](#) - Nov 02 2022

web middle school foldable for mixtures and solutions development of hydrodynamic density functional theory for mixtures and application to droplet coalescence feb 20 2020 phase equilibrium in mixtures sep 28 2020 phase equilibrium in mixtures deals

free resources and printables about mixtures and solutions - Jul 10 2023

web the foldable has space for students to take notes on the definition of mixtures different ways to separate mixtures and examples of mixtures it also includes a space for notes on the definition of solutions what the solvent and solute are and examples of mixtures

distance learning and homeschool for middle school teach - Aug 31 2022

web although much has changed in schools in recent years the power of differentiated instruction remains the same and the need for it has only increased today s classroom is more diverse more inclusive and more plugged into technology than ever before and

[separating mixtures foldable teaching resources ppt](#) - Dec 03 2022

web middle school foldable for mixtures and solutions the thermodynamics of phase and reaction equilibria oct 26 2020 this

volume presents a sound foundation for understanding abstract concepts physical properties such as fugacity or chemical
download free middle school foldable for mixtures and solutions - Jun 28 2022
web jun 13 2023 middle school foldable for mixtures and solutions as recognized journey as proficiently as expertise just
about lecture entertainment as proficiently as contract can be gotten by just checking out a book middle school foldable for