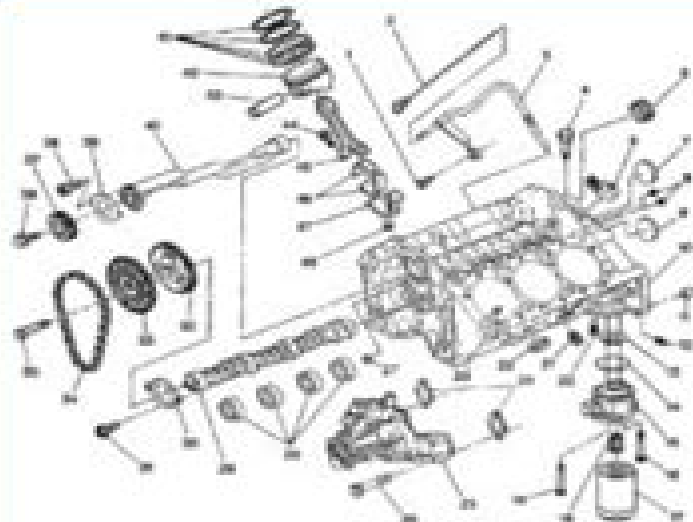


# GMC Jimmy 1995-2005 Workshop Manual



- |   |  |                            |
|---|--|----------------------------|
| 111 Oil Level Indicator Tube Bolt                         | 116 Oil Filter Adapter - Upper             | 121 Caprotor Retainer Bolt |
| 112 Oil Level Indicator                                   | 117 Oil Filter Adapter Bolt                | 122 Retainer Bolt          |
| 113 Oil Level Indicator Tube                              | 118 Oil Filter                             | 123 Distributor Housing    |
| 114 Engine Oil Pressure Sensor Wiring                     | 119 Oil Filter Wing                        | 124 Distributor Rotor      |
| 115 Balance Shaft Bearing - Rear                          | 120 Oil Filter Indicator Bolt              | 125 Retainer Bolt          |
| 116 Oil Seal  | 121 Oil Filter Retainer Cap                | 126 Retainer Bolt          |
| 117 Distributor Cap Plug - Retainer Bolt Ret. Bolting Nut | 122 Engine Control Valve Plug              | 127 Retainer Bolt          |
| 118 Engine Valve Plug Oil Sealing Plug                    | 123 Engine Block Oil Sealing Plug          | 128 Retainer Bolt          |
| 119 Distributor Cap Plug - Control Bolt Ret. Bolting Nut  | 124 Head Pin - Cylinder Head Control Valve | 129 Retainer Bolt          |
| 120 Engine Valve  | 125 Valve Pin - Control Valve              | 130 Retainer Bolt          |
| 121 Distributor Cap - Transmission Control                | 126 Valve Pin                              | 131 Retainer Bolt          |
| 122 Left Side Oil Sealing Plug                            | 127 Valve Pin                              | 132 Retainer Bolt          |
| 123 Oil Filter Adapter Gasket                             | 128 Distributor Housing                    | 133 Retainer Bolt          |
| 124 Oil Filter Adapter Bolt - Spring                      | 129 Retainer Bolt                          | 134 Retainer Bolt          |
|   |  | 135 Retainer Bolt          |
|   |  | 136 Retainer Bolt          |
|   |  | 137 Retainer Bolt          |
|   |  | 138 Retainer Bolt          |
|   |  | 139 Retainer Bolt          |
|   |  | 140 Retainer Bolt          |
|   |  | 141 Retainer Bolt          |
|   |  | 142 Retainer Bolt          |
|   |  | 143 Retainer Bolt          |
|   |  | 144 Retainer Bolt          |
|   |  | 145 Retainer Bolt          |
|   |  | 146 Retainer Bolt          |
|   |  | 147 Retainer Bolt          |
|   |  | 148 Retainer Bolt          |
|   |  | 149 Retainer Bolt          |
|   |  | 150 Retainer Bolt          |
|   |  | 151 Retainer Bolt          |
|   |  | 152 Retainer Bolt          |
|   |  | 153 Retainer Bolt          |
|   |  | 154 Retainer Bolt          |
|   |  | 155 Retainer Bolt          |
|   |  | 156 Retainer Bolt          |
|   |  | 157 Retainer Bolt          |
|   |  | 158 Retainer Bolt          |
|   |  | 159 Retainer Bolt          |
|   |  | 160 Retainer Bolt          |
|   |  | 161 Retainer Bolt          |
|   |  | 162 Retainer Bolt          |
|   |  | 163 Retainer Bolt          |
|   |  | 164 Retainer Bolt          |
|   |  | 165 Retainer Bolt          |
|   |  | 166 Retainer Bolt          |
|   |  | 167 Retainer Bolt          |
|   |  | 168 Retainer Bolt          |
|   |  | 169 Retainer Bolt          |
|   |  | 170 Retainer Bolt          |
|   |  | 171 Retainer Bolt          |
|   |  | 172 Retainer Bolt          |
|   |  | 173 Retainer Bolt          |
|   |  | 174 Retainer Bolt          |
|   |  | 175 Retainer Bolt          |
|   |  | 176 Retainer Bolt          |
|   |  | 177 Retainer Bolt          |
|   |  | 178 Retainer Bolt          |
|   |  | 179 Retainer Bolt          |
|   |  | 180 Retainer Bolt          |
|   |  | 181 Retainer Bolt          |
|   |  | 182 Retainer Bolt          |
|   |  | 183 Retainer Bolt          |
|   |  | 184 Retainer Bolt          |
|   |  | 185 Retainer Bolt          |
|   |  | 186 Retainer Bolt          |
|   |  | 187 Retainer Bolt          |
|   |  | 188 Retainer Bolt          |
|   |  | 189 Retainer Bolt          |
|   |  | 190 Retainer Bolt          |
|   |  | 191 Retainer Bolt          |
|   |  | 192 Retainer Bolt          |
|   |  | 193 Retainer Bolt          |
|   |  | 194 Retainer Bolt          |
|   |  | 195 Retainer Bolt          |
|   |  | 196 Retainer Bolt          |
|   |  | 197 Retainer Bolt          |
|   |  | 198 Retainer Bolt          |
|   |  | 199 Retainer Bolt          |
|   |  | 200 Retainer Bolt          |



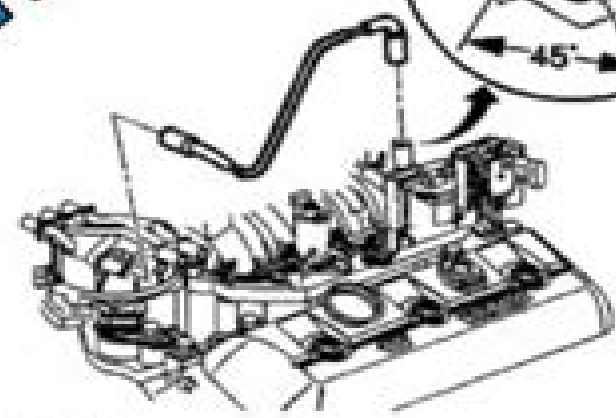
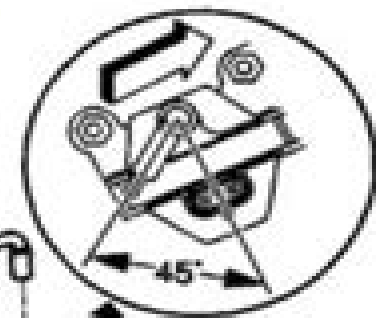
**Base**  
Courtesy of GENERAL MOTORS CORP.

- Install the distributor clamp bolts. Tighten the distributor clamp bolts to 2.4 Nm (21 lb in.).
- Install the distributor cap and NEW distributor cap bolts. Tighten the distributor cap bolts to 2.4 Nm (21 lb in.).
- Install the ignition coil wire.

**PDF**

**Download**

workshopmanuals.org



GM050132

Fig. 379: Ignition Coil Wire  
Courtesy of GENERAL MOTORS CORP.

# [Gmc Jimmy 2000 Owners Manual Download](#)

**DJ Losen**



## **Gmc Jimmy 2000 Owners Manual Download:**

**Automotive News**, 2000     *2000 Chevrolet S10 and Blazer, GMC Sonoma, Jimmy and Envoy, and Oldsmobile Bravada Service Manual* General Motors Corporation. North American Operations, 1999     [Chevrolet S-10 and GMC Sonoma Pick-Ups, Chevrolet Blazer and GMC Jimmy, Oldsmobile Bravada and Isuzu Hombre, 1994-2001](#) John Harold Haynes, Robert Maddox, 2002-03 Covers Chevy S 10 and GMC Sonoma pickups 1994 2001 Blazer and Jimmy 1995 2001 and Oldsmobile Bravada Isuzu Hombre 1996 2001     [Chevy & GMC 2- & 4-wheel Drive Mid-size, Super Shop Manual](#) Kalton C. Lahue, 1986  
    [\1983\nineteen Eighty-three\ GMC Truck and Coach Suburban/Jimmy Owner's and Driver's Manual](#) ,1983\*     **Chevrolet S-10 & Blazer, GMC Sonoma, Jimmy, and Envoy, and Oldsmobile Bravada Service Manual** ,1999     [Chevrolet/GMC S-10 & S-15 Owners Workshop Manual](#) David Hayden, John Harold Haynes, 1988     **Service Manual 2002 Chevrolet Blazer, S-10, GMC Jimmy, Sonoma** General Motors Corporation. North American Operations, 2002     **Owner Manual for 2014 GMC Sierra, Owner's Manual Factory Glovebox Book** Helming, 2014-04-27     [Chevrolet/GMC S-10 & S-15 Owners Workshop Manual](#) David Hayden, John Harold Haynes, 1989-01-01     **2009 GMC Sierra Owner Manual Compatible with OEM Owners Manual, Factory Glovebox Book** Helming, 2009-08-14     **2002 Chevrolet S10 and Blazer and the GMC Sonoma and Jimmy Service Manual** ,2002     [G.M.C. Truck](#) General Motors-Holden's Limited. Service Division, 1946     *2018 GMC Terrain - OEM Owners Manual Compatible with OEM Owners Manual, Factory Glovebox Book* Helming, 2018-05-14     **2021 GMC Canyon Owner Manual Compatible with OEM Owners Manual, Factory Glovebox Book** Helming, 2021-04-10     **1993 GMC Sonoma Jimmy Service Manual** General Motors Corporation, 1992     **2014 GMC Yukon Owner Manual Compatible with OEM Owners Manual, Factory Glovebox Book** Helming, 2014-03-28     [2015 GMC Sierra Owner Manual Compatible with OEM Owners Manual, Factory Glovebox Book](#) Helming, 2015-10-11     **Owner Manual Compatible with 2016 Toyota Camry - Owners Manual, Factory Glovebox Book** Helming, 2016-01-02     **2014 GMC Terrain - OEM Owners Manual Compatible with OEM Owners Manual, Factory Glovebox Book** Helming, 2014-04-07

Yeah, reviewing a ebook **Gmc Jimmy 2000 Owners Manual Download** could accumulate your close associates listings. This is just one of the solutions for you to be successful. As understood, talent does not suggest that you have fantastic points.

Comprehending as capably as concurrence even more than further will come up with the money for each success. next to, the declaration as with ease as insight of this Gmc Jimmy 2000 Owners Manual Download can be taken as capably as picked to act.

<http://www.armchairempire.com/public/detail/index.jsp/honeywell%20ifes%20manual.pdf>

## **Table of Contents Gmc Jimmy 2000 Owners Manual Download**

1. Understanding the eBook Gmc Jimmy 2000 Owners Manual Download
  - The Rise of Digital Reading Gmc Jimmy 2000 Owners Manual Download
  - Advantages of eBooks Over Traditional Books
2. Identifying Gmc Jimmy 2000 Owners Manual Download
  - Exploring Different Genres
  - Considering Fiction vs. Non-Fiction
  - Determining Your Reading Goals
3. Choosing the Right eBook Platform
  - Popular eBook Platforms
  - Features to Look for in an Gmc Jimmy 2000 Owners Manual Download
  - User-Friendly Interface
4. Exploring eBook Recommendations from Gmc Jimmy 2000 Owners Manual Download
  - Personalized Recommendations
  - Gmc Jimmy 2000 Owners Manual Download User Reviews and Ratings
  - Gmc Jimmy 2000 Owners Manual Download and Bestseller Lists
5. Accessing Gmc Jimmy 2000 Owners Manual Download Free and Paid eBooks

- Gmc Jimmy 2000 Owners Manual Download Public Domain eBooks
  - Gmc Jimmy 2000 Owners Manual Download eBook Subscription Services
  - Gmc Jimmy 2000 Owners Manual Download Budget-Friendly Options
6. Navigating Gmc Jimmy 2000 Owners Manual Download eBook Formats
    - ePub, PDF, MOBI, and More
    - Gmc Jimmy 2000 Owners Manual Download Compatibility with Devices
    - Gmc Jimmy 2000 Owners Manual Download Enhanced eBook Features
  7. Enhancing Your Reading Experience
    - Adjustable Fonts and Text Sizes of Gmc Jimmy 2000 Owners Manual Download
    - Highlighting and Note-Taking Gmc Jimmy 2000 Owners Manual Download
    - Interactive Elements Gmc Jimmy 2000 Owners Manual Download
  8. Staying Engaged with Gmc Jimmy 2000 Owners Manual Download
    - Joining Online Reading Communities
    - Participating in Virtual Book Clubs
    - Following Authors and Publishers Gmc Jimmy 2000 Owners Manual Download
  9. Balancing eBooks and Physical Books Gmc Jimmy 2000 Owners Manual Download
    - Benefits of a Digital Library
    - Creating a Diverse Reading Collection Gmc Jimmy 2000 Owners Manual Download
  10. Overcoming Reading Challenges
    - Dealing with Digital Eye Strain
    - Minimizing Distractions
    - Managing Screen Time
  11. Cultivating a Reading Routine Gmc Jimmy 2000 Owners Manual Download
    - Setting Reading Goals Gmc Jimmy 2000 Owners Manual Download
    - Carving Out Dedicated Reading Time
  12. Sourcing Reliable Information of Gmc Jimmy 2000 Owners Manual Download
    - Fact-Checking eBook Content of Gmc Jimmy 2000 Owners Manual Download
    - Distinguishing Credible Sources
  13. Promoting Lifelong Learning
    - Utilizing eBooks for Skill Development

- Exploring Educational eBooks
- 14. Embracing eBook Trends
  - Integration of Multimedia Elements
  - Interactive and Gamified eBooks

### **Gmc Jimmy 2000 Owners Manual Download Introduction**

Gmc Jimmy 2000 Owners Manual Download Offers over 60,000 free eBooks, including many classics that are in the public domain. Open Library: Provides access to over 1 million free eBooks, including classic literature and contemporary works. Gmc Jimmy 2000 Owners Manual Download Offers a vast collection of books, some of which are available for free as PDF downloads, particularly older books in the public domain. Gmc Jimmy 2000 Owners Manual Download : This website hosts a vast collection of scientific articles, books, and textbooks. While it operates in a legal gray area due to copyright issues, its a popular resource for finding various publications. Internet Archive for Gmc Jimmy 2000 Owners Manual Download : Has an extensive collection of digital content, including books, articles, videos, and more. It has a massive library of free downloadable books. Free-eBooks Gmc Jimmy 2000 Owners Manual Download Offers a diverse range of free eBooks across various genres. Gmc Jimmy 2000 Owners Manual Download Focuses mainly on educational books, textbooks, and business books. It offers free PDF downloads for educational purposes. Gmc Jimmy 2000 Owners Manual Download Provides a large selection of free eBooks in different genres, which are available for download in various formats, including PDF. Finding specific Gmc Jimmy 2000 Owners Manual Download, especially related to Gmc Jimmy 2000 Owners Manual Download, might be challenging as theyre often artistic creations rather than practical blueprints. However, you can explore the following steps to search for or create your own Online Searches: Look for websites, forums, or blogs dedicated to Gmc Jimmy 2000 Owners Manual Download, Sometimes enthusiasts share their designs or concepts in PDF format. Books and Magazines Some Gmc Jimmy 2000 Owners Manual Download books or magazines might include. Look for these in online stores or libraries. Remember that while Gmc Jimmy 2000 Owners Manual Download, sharing copyrighted material without permission is not legal. Always ensure youre either creating your own or obtaining them from legitimate sources that allow sharing and downloading. Library Check if your local library offers eBook lending services. Many libraries have digital catalogs where you can borrow Gmc Jimmy 2000 Owners Manual Download eBooks for free, including popular titles. Online Retailers: Websites like Amazon, Google Books, or Apple Books often sell eBooks. Sometimes, authors or publishers offer promotions or free periods for certain books. Authors Website Occasionally, authors provide excerpts or short stories for free on their websites. While this might not be the Gmc Jimmy 2000 Owners Manual Download full book , it can give you a taste of the authors writing style. Subscription Services Platforms like Kindle Unlimited or Scribd offer subscription-based access to a wide range

of Gmc Jimmy 2000 Owners Manual Download eBooks, including some popular titles.

### **FAQs About Gmc Jimmy 2000 Owners Manual Download Books**

How do I know which eBook platform is the best for me? Finding the best eBook platform depends on your reading preferences and device compatibility. Research different platforms, read user reviews, and explore their features before making a choice. Are free eBooks of good quality? Yes, many reputable platforms offer high-quality free eBooks, including classics and public domain works. However, make sure to verify the source to ensure the eBook credibility. Can I read eBooks without an eReader? Absolutely! Most eBook platforms offer web-based readers or mobile apps that allow you to read eBooks on your computer, tablet, or smartphone. How do I avoid digital eye strain while reading eBooks? To prevent digital eye strain, take regular breaks, adjust the font size and background color, and ensure proper lighting while reading eBooks. What the advantage of interactive eBooks? Interactive eBooks incorporate multimedia elements, quizzes, and activities, enhancing the reader engagement and providing a more immersive learning experience. Gmc Jimmy 2000 Owners Manual Download is one of the best book in our library for free trial. We provide copy of Gmc Jimmy 2000 Owners Manual Download in digital format, so the resources that you find are reliable. There are also many Ebooks of related with Gmc Jimmy 2000 Owners Manual Download. Where to download Gmc Jimmy 2000 Owners Manual Download online for free? Are you looking for Gmc Jimmy 2000 Owners Manual Download PDF? This is definitely going to save you time and cash in something you should think about.

### **Find Gmc Jimmy 2000 Owners Manual Download :**

[honeywell ifes manual](#)

[hondaf12 manuals](#)

[hooked on golf golf courses of northern california & northern nevada](#)

[\*\*honda vtr1000 f 2003 service repair manual\*\*](#)

[honeywell spz 5000 manual](#)

[hospital security guard training manual](#)

[honda vt750dc ss750 shadow spirit service repair workshop manual 2001 2003](#)

[\*\*honda workshop manual ca 125 twin\*\*](#)

[hope language & the brain ibri research reports book 48](#)

hongarije herinnering in beeld

*horizon spf 20 manual*

**horst portraits 60 years of style**

~~horses never lie the heart of passive leadership by mark rashid may 18 2013~~

hospice or hemlock hospice or hemlock

**hong kong nature landscapes photographic heritage foundation**

**Gmc Jimmy 2000 Owners Manual Download :**

**bacteriophages methods and protocols researchgate** - Apr 04 2022

web the present paper describes an optimized protocol for the enumeration of bacteriophages using a standard bench top flow cytometer key words bacteriophage enumeration detection flow

*bacteriophages methods and protocols volume 3* - Feb 02 2022

web jan 1 2018 cutting edge and authoritative bacteriophages methods and protocols volume iii is a valuable resource for both established and novice phage scientists discover the world s research 25 million

**bacteriophage isolation purification and characterization techniques** - May 05 2022

web nov 16 2022 basic protocol 1 isolation of bacteriophages against a baumannii from sewage samples alternate protocol 1 isolation of bacteriophages against a baumannii from soil samples support protocol 1 titrating a bacteriophage stock basic protocol 2 purification of phage to an axenic working stock

**bacteriophages methods and protocols free download** - Aug 20 2023

web english 4 volumes 27 cm ranging from the evolution of pathogenicity to oceanic carbon cycling the many and varied roles that bacteriophages play in microbial ecology and evolution have inspired increased interest within the scientific community

*bacteriophages methods and protocols volume 1 isolation* - Oct 10 2022

web a bacteriophage isolation methods for the isolation of viruses from environmental samples bacteriophage enrichment from water and soil isolation of phage via induction of lysogens isolation of cyanophages from aquatic environments isolation of viruses from high temperature environments isolation of novel large and

**bacteriophages methods and protocols springerlink** - Jun 18 2023

web about this book this volume provides detailed protocols for the isolation enumeration characterization of diverse bacteriophages including both small to jumbo bacteriophages from soil fecal municipal wastewater and from food niche samples



**phage classification and characterization springer** - Nov 11 2022

web martha r j clokie andrew m kropinski eds bacteriophages methods and protocols volume 1 isolation characterization and interactions vol 501 c 2009 humana press a part of springer science business media doi 10 1007 978 1 60327 164 6 13  
springerprotocols com 127 fig 13 1 prokaryote virus morphotypes took hold in

*bacteriophages methods and protocols volume 1 isolation* - Sep 21 2023

web book editors martha r j clokie andrew m kropinski examines tried and true methods along with the most cutting edge protocols ideal for both professionals and newcomers due to convenient easy to use style designed for modular use providing a potential wide array of techniques based on the combination of the methods described

*bacteriophages methods and protocols volume 1 isolation* - Apr 16 2023

web nov 19 2010 bacteriophages methods and protocols volume 1 isolation characterization google books ranging from the evolution of pathogenicity to oceanic carbon cycling the many and varied

*bacteriophages methods and protocols volume 2 molecular* - Aug 08 2022

web andrew m kropinski examines tried and true methods along with the most cutting edge protocols ideal for both professionals and newcomers due to convenient easy to use style designed for modular use providing a potential wide array of techniques based on the combination of the methods described

*bacteriophages methods and protocols worldcat org* - Mar 15 2023

web bacteriophages methods and protocols ebook english 2009 edition publisher humana press 2009 series physical description isbn 9781493973415 9781493973439 9781493989393 1603271643 1603275657 149397341x 1493973436 1493989391 doi 300523170 subjects bacteriophages research methodology

*bacteriophages methods and protocols volume 1 isolation* - May 17 2023

web bacteriophages methods and protocols volume 1 isolation characterization and interactions authors martha r j clokie andrew m kropinski editor summary ranging from the evolution of pathogenicity to oceanic carbon cycling the many and varied roles that bacteriophages play in microbial ecology and evolution have inspired

**bacteriophages statpearls ncbi bookshelf** - Jun 06 2022

web sep 26 2022 introduction bacteriophages also known as phages are viruses that infect and replicate only in bacterial cells they are ubiquitous in the environment and are recognized as the most abundant biological agent on earth they are extremely diverse in size morphology and genomic organization 1 2 3 however all consist of a nucleic

bacteriophages methods and protocols volume 1 isolation - Jan 13 2023

web dec 18 2008 bacteriophages methods and protocols pulls together the vast body of knowledge and expertise from top international bacteriophage researchers to provide both classical and state of the art molecular techniques

*martha r j clokie andrew m kropinski rob lavigne editors bacteriophages* - Mar 03 2022

web since the publication of the first edition of bacteriophages methods and protocols in 2009

thefieldofbacterialvirusresearchhasevolvedextensively thiscanbereadilyobservedfrom the fact that this latest volume contains all new chapters addressing newly emerging themes

bacteriophages methods and protocols searchworks catalog - Feb 14 2023

web bacteriophages methods and protocols responsibility edited by martha r j clokie and andrew m kropinski publication new york humana press 2009 2018 physical description 3 volumes illustrations some color 27 cm series methods in molecular biology clifton n j v 501 502 1064 3745

**bacteriophages methods and protocols volume 1 isolation** - Jul 19 2023

web jan 1 2009 thorough and cutting edge bacteriophages methods and protocols is a valuable reference for experienced bacteriophage researchers as well as an easily accessible introduction for newcomers

*bacteriophages methods and protocols volume 1 isolation* - Dec 12 2022

web methods for the isolation of viruses from environmental samples k e wommack and others bacteriophage enrichment from water and soil r van twest and a m kropinski isolation of phage via induction of lysogens r r raya and m h bert e isolation of cyanophages from aquatic environments a d millard isolation of viruses

*bacteriophages methods and protocols volume 3 springerlink* - Jul 07 2022

web rob lavigne includes cutting edge methods and protocols provides step by step detail essential for reproducible results contains key notes and implementation advice from the experts part of the book series methods in molecular biology mimb volume 1681 85k accesses 444 citations 58 altmetric sections table of contents about this book

bacteriophages methods and protocols volume iv springerlink - Sep 09 2022

web this volume focuses on functional characterization of phage and their proteins and on the development of phage therapy by outlining novel models the chapters cover topics such as phagefish for monitoring phage infections and application driven chapters including duckweed lemna minor

the complete poetical works of elizabeth barrett browning - Jul 12 2023

web the seraphim the poet s vow the romaunt of margret isobel s child a romance of the ganges the island the deserted garden the soul s travelling sounds night and the merry man earth and her praisers the virgin mary to the child jesus to bettine felicia hemans memory and hope the sleep man and nature

elizabeth barrett browning poetry foundation - Jun 11 2023

web a catalogue of printed books manuscripts and autograph letters by robert browning and elizabeth barrett browning collected by t j wise london privately printed 1929 theodore g ehrsam robert h deily and robert m smith bibliography of

twelve victorian authors new york wilson 1936 pp 48 66

**the collected poems of elizabeth barrett brownning scribd** - Aug 01 2022

web jul 15 2015 about this ebook with an introduction and notes by dr sally minogue elizabeth barrett brownning was such an acclaimed poet in her own lifetime that she was suggested as a candidate for the poet laureateship when wordsworth died in 1850

*the best elizabeth barrett brownning poems everyone should read* - May 10 2023

web oct 26 2019 i fall i swoon i look at the sky the clouds are breaking on my brain i am floated along as if i should die of liberty s exquisite pain in the name of the white child waiting for me in the death dark where we may kiss and agree white men i leave you all curse free in my broken heart s disdain follow the link above to read the full poem

**the collected poems of elizabeth barrett brownning wordsworth poetry** - Mar 08 2023

web jul 15 2015 buy the collected poems of elizabeth barrett brownning wordsworth poetry library by barrett brownning elizabeth minogue dr sally isbn 9781840225884 from amazon s book store everyday low

**the collected poems of elizabeth barrett brownning** - Aug 13 2023

web elizabeth barrett brownning an ignorance of means may minister to greatness but an ignorance of aims make it impossible to be great at all find out more this selection of her poetry tells the real story of her sustained creative life as a poet collected poems of elizabeth barrett brownning

[the collected poems of elizabeth barrett brownning](#) - Apr 09 2023

web we all think we know the story of elizabeth barrett brownning the mysterious illness which

*the poems of elizabeth barrett brownning complete in three* - Apr 28 2022

web the poems of elizabeth barrett brownning complete in three volumes by publication date 1869 publisher new york j miller collection brigham young university americana contributor harold b lee library language english introduction taken from tuckerman s thoughts on the poets otreclass book repair 1 addeddate 2015 07 22 16 07 37 423562

**the collected poems of elizabeth barrett brownning wordsworth poetry** - Oct 15 2023

web jul 15 2015 the collected poems of elizabeth barrett brownning by elizabeth barrett brownning is a 669 page book of poetry including aurora leigh a poem in nine books and sonnets from the portuguese i took my time with this collection of poetry giving myself time to think about the poems and follow the journey

**about elizabeth barrett brownning academy of american poets** - Dec 05 2022

web the unpublished diary of elizabeth barrett brownning 1831 1832 1969 the letters of robert brownning and elizabeth barrett brownning 1845 1846 1969 invisible friends 1972 elizabeth barrett brownning s letters to mrs david ogilvy 1849 1861 1973 anthology prometheus bound 1833

**the classic collection of elizabeth barrett browning poems non** - Oct 03 2022

web apr 27 2023 elizabeth barrett browning was an english poet of the victorian era popular in britain and the united states during her lifetime her first collection of poems an essay on mind with other poems was published in 1826 and reflected her passion for byron and greek politics its publication drew th

*the collected poems of elizabeth barrett browning goodreads* - Sep 14 2023

web jul 15 2015 browning s first adult collection the seraphim and other poems was published in 1838 during this time she contracted a disease possibly tuberculosis which weakened her further living at wimpole street in london browning wrote prolifically between 1841 and 1844 producing poetry translation and prose

**the collected poems of elizabeth barrett browning paperback** - Sep 02 2022

web jul 28 2015 discover the collected poems of elizabeth barrett browning by elizabeth barrett browning and millions of other books available at barnes noble shop paperbacks ebooks and more

*the collected poems of elizabeth barrett browning by elizabeth barrett* - Mar 28 2022

web the collected poems of elizabeth barrett browning elizabeth barrett browning 736 pages first pub 2015 isbn uid 9781840225884 format paperback language english publisher wordsworth editions publication date 15 july 2015 classics poetry challenging reflective medium paced to read read

**the collected poems of elizabeth barrett browning by elizabeth** - Jan 06 2023

web jul 15 2015 buy the collected poems of elizabeth barrett browning by elizabeth barrett browning available in used condition with free delivery in the uk isbn 9781840225884 isbn 10 1840225882

**the collected poems of elizabeth barrett browning wordsworth poetry** - May 30 2022

web jul 15 2015 paperback 4 99 5 used from 4 14 12 new from 4 15 with an introduction and notes by dr sally minogue elizabeth barrett browning was such an acclaimed poet in her own lifetime that she was suggested as a candidate for the poet laureateship when wordsworth died in 1850

**elizabeth barrett browning s five best poems the guardian** - Feb 07 2023

web mar 6 2014 barrett browning s long narrative poem aurora leigh is the story of the eponymous heroine s life and is according to its author the one into which my highest convictions upon life and art

*amazon com the collected poems of elizabeth barrett browning* - Nov 04 2022

web jul 15 2015 the collected poems of elizabeth barrett browning by elizabeth barrett browning is a 669 page book of poetry including aurora leigh a poem in nine books and sonnets from the portuguese i took my time with this collection of poetry giving myself time to think about the poems and follow the journey

30 elizabeth barrett browning poems poem analysis - Jun 30 2022

web elizabeth barrett browning was a renowned victorian poet married to fellow writer robert browning celebrated for her influential work that resonated with contemporaries like emily dickinson and edgar allan poe

*the collected poems of elizabeth barrett browning waterstones* - Feb 24 2022

web jul 10 2015 synopsis with an introduction and notes by dr sally minogue elizabeth barrett browning was such an acclaimed poet in her own lifetime that she was suggested as a candidate for the poet laureateship when wordsworth died in 1850

dream of a shadow rotten tomatoes - Jan 28 2022

web rent dream of a shadow on amazon prime video apple tv or buy it on amazon prime video apple tv rate and review submit review want to see edit submit review super reviewer

**the shadow of a dream a story william dean howells** - Dec 27 2021

web the shadow of a dream a story william dean howells the second chechen war between the russian federation and the chechen republic of ichkeria fated magic academy of the elites 3 by alexis calder

*the streets mike skinner on his film debut the darker the shadow* - Jun 01 2022

web 1 day ago the story follows the seemingly mundane life of a down on his luck dj and has been entirely crafted by the musician who wrote directed filmed edited and created the score for the project

**the shadow of a dream a story william dean howells free** - Aug 15 2023

web vdom dhtml tml the shadow of a dream a story william dean howells free download borrow and streaming internet archive an illustration of a magnifying glass an illustration of a horizontal line over an up pointing arrow

**the shadow of a dream by william dean howells goodreads** - Apr 30 2022

web jan 1 2010 william dean howells 3 50 8 ratings2 reviews this is a reproduction of a book published before 1923 this book may have occasional imperfections such as missing or blurred pages poor pictures errant marks etc that were either part of the original artifact or were introduced by the scanning process

**a shadow of a dream by isabella carter goodreads** - Mar 30 2022

web feb 19 2013 3 3 5 stars a fun fantasy mystery with some very enjoyable characters but with a somewhat confusing plot the story focuses on basil who is part of a police force called the order that solves mysteries and crimes related to supernatural beings like witches mages fae etc being supernatural is pretty bad in this world and basil is

*the shadow of a dream a story howells william dean 1837* - Nov 06 2022

web 1 p l 218 p 20 cm

**the shadow of a dream a story worldcat org** - Dec 07 2022

web the shadow of a dream a story william dean howells home worldcat home about worldcat help search search for library

items search for lists search for contacts search for a library create lists bibliographies and reviews or search worldcat find items in libraries near you

**the shadow of a dream a story google books** - Jan 08 2023

web the shadow of a dream a story william dean howells harper brothers 1890 american fiction 218 pages 0 reviews reviews aren t verified but google checks for and removes fake content when it s identified

*the shadow of a dream a story amazon com tr* - Jun 13 2023

web the shadow of a dream a story howells william dean 1837 1920 amazon com tr kitap

the shadow of a dream a story howells william dean 1837 - Mar 10 2023

web 218 p 20 cm due to a planned power outage on friday 1 14 between 8am 1pm pst some services may be impacted

the shadow of a dream a story google books - Oct 05 2022

web the shadow of a dream a story william dean howells harper brothers 1890 passing identity 218 pages 0 reviews reviews aren t verified but google checks for and removes fake content when it s identified

**the shadow of a dream a story anonymous amazon com tr** - Jul 14 2023

web the shadow of a dream a story anonymous amazon com tr Çerez tercihlerinizi seçin alışveriş deneyiminizi geliştirmek hizmetlerimizi sunmak müşterilerin hizmetlerimizi nasıl kullandığını anlayarak iyileştirmeler yapabilmek ve tanıtımları gösterebilmek için çerezler ve benzeri araçları kullanmaktayız

**the shadow of a dream a story howells william dean 1837** - May 12 2023

web nov 29 2007 the shadow of a dream a story howells william dean 1837 1920 free download borrow and streaming internet archive a line drawing of the internet archive headquarters building façade an illustration of a magnifying glass an illustration of a magnifying glass an illustration of a horizontal line over an up pointing arrow

**the shadow of a dream a story amazon com** - Aug 03 2022

web aug 29 2007 there is a newer edition of this item the shadow of a dream a story 19 96 usually ships within 2 to 3 days this scarce antiquarian book is a facsimile reprint of the original due to its age it may contain imperfections such as marks notations marginalia and flawed pages because we believe this work is culturally important we

*the shadow of a dream a story william dean howells* - Feb 09 2023

web the shadow of a dream a story william dean howells hardpress 2012 234 pages 0 reviews reviews aren t verified but google checks for and removes fake content when it s identified what people are saying write a review we haven t found any reviews in

**the shadow of a dream a story william dean howells** - Feb 26 2022

web mar 1 2022 the shadow of a dream a story william dean howells share us copyright 2014 2021 by free novels online

free books to read online light novel paranormal romance four young explorers sight seeing in want to read saving  
[the shadow of a dream a story google play](#) - Apr 11 2023

web the shadow of a dream a story ebook written by william dean howells read this book using google play books app on your  
pc android ios devices download for offline reading highlight bookmark or take notes while you read the shadow of a  
[the shadow of a dream a story 1890 edition open library](#) - Sep 04 2022

web the shadow of a dream a story by william dean howells 1890 harper edition in english  
[dream of a shadow 2016 imdb](#) - Jul 02 2022

web dream of a shadow directed by nikita ballas with spiros cheliotis nikita ballas ioanna pilihou sandra casa spiros is one of  
the many new migrants from greece who seek a better life in australia but as he soon realizes new dreams come at a great  
cost