

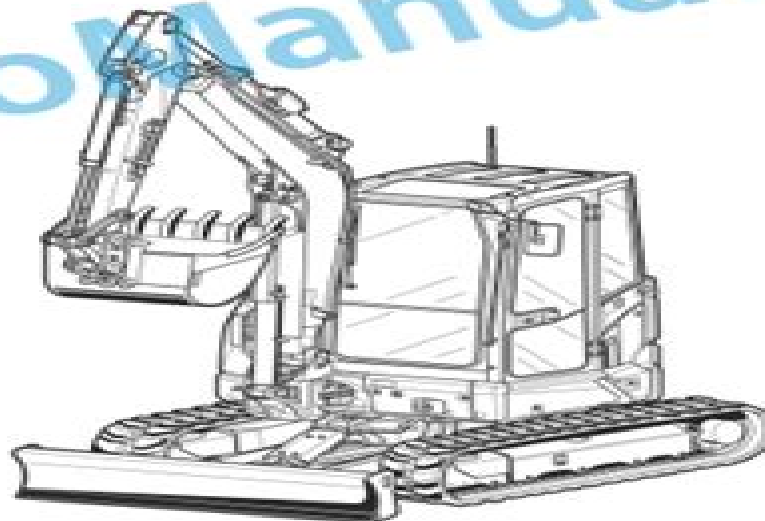
**ILLUSTRATED PARTS LIST
LISTE DES PIÉCES
STÜCK LISTE**

KUBOTA

**MODEL
MODELE U50-5
MODELL**

**EXCAVATOR
PELLETEUSE
BAGGER**

AutoManual.net



Kubota

97829-12980
JUN.
JUN. 2000
JUNI

Kubota U50 3 Service Manual

Caterpillar Inc



Kubota U50 3 Service Manual:

Unveiling the Magic of Words: A Overview of "**Kubota U50 3 Service Manual**"

In a world defined by information and interconnectivity, the enchanting power of words has acquired unparalleled significance. Their power to kindle emotions, provoke contemplation, and ignite transformative change is truly awe-inspiring. Enter the realm of "**Kubota U50 3 Service Manual**," a mesmerizing literary masterpiece penned with a distinguished author, guiding readers on a profound journey to unravel the secrets and potential hidden within every word. In this critique, we shall delve to the book is central themes, examine its distinctive writing style, and assess its profound impact on the souls of its readers.

<http://www.armchairempire.com/About/detail/Documents/Hitachi%20Tv%20Instruction%20Manuals.pdf>

Table of Contents Kubota U50 3 Service Manual

1. Understanding the eBook Kubota U50 3 Service Manual
 - The Rise of Digital Reading Kubota U50 3 Service Manual
 - Advantages of eBooks Over Traditional Books
2. Identifying Kubota U50 3 Service Manual
 - Exploring Different Genres
 - Considering Fiction vs. Non-Fiction
 - Determining Your Reading Goals
3. Choosing the Right eBook Platform
 - Popular eBook Platforms
 - Features to Look for in an Kubota U50 3 Service Manual
 - User-Friendly Interface
4. Exploring eBook Recommendations from Kubota U50 3 Service Manual
 - Personalized Recommendations
 - Kubota U50 3 Service Manual User Reviews and Ratings
 - Kubota U50 3 Service Manual and Bestseller Lists

-
5. Accessing Kubota U50 3 Service Manual Free and Paid eBooks
 - Kubota U50 3 Service Manual Public Domain eBooks
 - Kubota U50 3 Service Manual eBook Subscription Services
 - Kubota U50 3 Service Manual Budget-Friendly Options
 6. Navigating Kubota U50 3 Service Manual eBook Formats
 - ePub, PDF, MOBI, and More
 - Kubota U50 3 Service Manual Compatibility with Devices
 - Kubota U50 3 Service Manual Enhanced eBook Features
 7. Enhancing Your Reading Experience
 - Adjustable Fonts and Text Sizes of Kubota U50 3 Service Manual
 - Highlighting and Note-Taking Kubota U50 3 Service Manual
 - Interactive Elements Kubota U50 3 Service Manual
 8. Staying Engaged with Kubota U50 3 Service Manual
 - Joining Online Reading Communities
 - Participating in Virtual Book Clubs
 - Following Authors and Publishers Kubota U50 3 Service Manual
 9. Balancing eBooks and Physical Books Kubota U50 3 Service Manual
 - Benefits of a Digital Library
 - Creating a Diverse Reading Collection Kubota U50 3 Service Manual
 10. Overcoming Reading Challenges
 - Dealing with Digital Eye Strain
 - Minimizing Distractions
 - Managing Screen Time
 11. Cultivating a Reading Routine Kubota U50 3 Service Manual
 - Setting Reading Goals Kubota U50 3 Service Manual
 - Carving Out Dedicated Reading Time
 12. Sourcing Reliable Information of Kubota U50 3 Service Manual
 - Fact-Checking eBook Content of Kubota U50 3 Service Manual
 - Distinguishing Credible Sources
 13. Promoting Lifelong Learning

-
- Utilizing eBooks for Skill Development
 - Exploring Educational eBooks
14. Embracing eBook Trends
- Integration of Multimedia Elements
 - Interactive and Gamified eBooks

Kubota U50 3 Service Manual Introduction

In the digital age, access to information has become easier than ever before. The ability to download Kubota U50 3 Service Manual has revolutionized the way we consume written content. Whether you are a student looking for course material, an avid reader searching for your next favorite book, or a professional seeking research papers, the option to download Kubota U50 3 Service Manual has opened up a world of possibilities. Downloading Kubota U50 3 Service Manual provides numerous advantages over physical copies of books and documents. Firstly, it is incredibly convenient. Gone are the days of carrying around heavy textbooks or bulky folders filled with papers. With the click of a button, you can gain immediate access to valuable resources on any device. This convenience allows for efficient studying, researching, and reading on the go. Moreover, the cost-effective nature of downloading Kubota U50 3 Service Manual has democratized knowledge. Traditional books and academic journals can be expensive, making it difficult for individuals with limited financial resources to access information. By offering free PDF downloads, publishers and authors are enabling a wider audience to benefit from their work. This inclusivity promotes equal opportunities for learning and personal growth. There are numerous websites and platforms where individuals can download Kubota U50 3 Service Manual. These websites range from academic databases offering research papers and journals to online libraries with an expansive collection of books from various genres. Many authors and publishers also upload their work to specific websites, granting readers access to their content without any charge. These platforms not only provide access to existing literature but also serve as an excellent platform for undiscovered authors to share their work with the world. However, it is essential to be cautious while downloading Kubota U50 3 Service Manual. Some websites may offer pirated or illegally obtained copies of copyrighted material. Engaging in such activities not only violates copyright laws but also undermines the efforts of authors, publishers, and researchers. To ensure ethical downloading, it is advisable to utilize reputable websites that prioritize the legal distribution of content. When downloading Kubota U50 3 Service Manual, users should also consider the potential security risks associated with online platforms. Malicious actors may exploit vulnerabilities in unprotected websites to distribute malware or steal personal information. To protect themselves, individuals should ensure their devices have reliable antivirus software installed and validate the legitimacy of the websites they are downloading from. In conclusion, the ability to download Kubota U50 3

Service Manual has transformed the way we access information. With the convenience, cost-effectiveness, and accessibility it offers, free PDF downloads have become a popular choice for students, researchers, and book lovers worldwide. However, it is crucial to engage in ethical downloading practices and prioritize personal security when utilizing online platforms. By doing so, individuals can make the most of the vast array of free PDF resources available and embark on a journey of continuous learning and intellectual growth.

FAQs About Kubota U50 3 Service Manual Books

How do I know which eBook platform is the best for me? Finding the best eBook platform depends on your reading preferences and device compatibility. Research different platforms, read user reviews, and explore their features before making a choice. Are free eBooks of good quality? Yes, many reputable platforms offer high-quality free eBooks, including classics and public domain works. However, make sure to verify the source to ensure the eBook credibility. Can I read eBooks without an eReader? Absolutely! Most eBook platforms offer web-based readers or mobile apps that allow you to read eBooks on your computer, tablet, or smartphone. How do I avoid digital eye strain while reading eBooks? To prevent digital eye strain, take regular breaks, adjust the font size and background color, and ensure proper lighting while reading eBooks. What the advantage of interactive eBooks? Interactive eBooks incorporate multimedia elements, quizzes, and activities, enhancing the reader engagement and providing a more immersive learning experience. Kubota U50 3 Service Manual is one of the best book in our library for free trial. We provide copy of Kubota U50 3 Service Manual in digital format, so the resources that you find are reliable. There are also many Ebooks of related with Kubota U50 3 Service Manual. Where to download Kubota U50 3 Service Manual online for free? Are you looking for Kubota U50 3 Service Manual PDF? This is definitely going to save you time and cash in something you should think about.

Find Kubota U50 3 Service Manual :

[hitachi tv instruction manuals](#)

[hoffnung ein handschlag mit der zukunft](#)

[**holden astra parts manual**](#)

[holt 7th grade math book online](#)

[hoed je voor de pers](#)

[*holland overhaul manual*](#)

hold me tight seven conversations for a lifetime of love

holden commodore ve 2008 workshop service repair manual

hitachi tagmastore manual

hobby boek ideeën voor creatieve vrijetijdsbesteding

hoffer instructor manual modern systems analysis

~~hitachi refrigerators manuals~~

holden cruze 2015 workshop manual

hitachi microwave instruction manuals

hofmann geodyna 28 manual

Kubota U50 3 Service Manual :

recommendation for re working iec 61400 12 2 methods for the use of spinner anemometry - Apr 16 2023

web recommendation for re working iec 61400 12 2 methods for the use of spinner anemometry ptp deliverable d8 3 gómez arranz paula link to article doi

iec 61400 12 1 performance measurements of wind turbines - Jul 07 2022

web jan 3 2023 the iec 61400 12 1 ed 3 0 b 2022 standard applies to the testing of wind turbines of all types and sizes connected to the electrical power network but it can also

new iec 61400 12 1 2022 ammonit - Mar 03 2022

web mar 21 2023 ammonit news new iec 61400 12 1 2022 21 march 2023 iec iec 61400 12 1 to 6 for measurement of wind turbine power and iec 61400 50 1 to 4 for the

iec 61400 12 2 wind energy generation systems part 12 2 - Mar 15 2023

web iec 61400 12 2 2022 specifies a procedure for verifying the power performance characteristics of a single electricity producing horizontal axis wind turbine that is not

edition 2 0 2022 09 international standard norme - Jul 19 2023

web international standard iec 61400 12 2 edition 2 0 2022 09 norme internationale colour inside wind energy generation systems part 12 2 power

iec 61400 wikipedia - Jun 18 2023

iec 61400 1 2005 amd1 2010 design requirements iec 61400 2 2013 small wind turbines iec 61400 3 2009 design requirements for offshore wind turbines iec 61400 4 2012 design requirements for wind turbine gearboxes

bs en iec 61400 12 2 2022 tc standards new zealand - Apr 04 2022

web may 10 2023 [bs en iec 61400 12 2 2022 tc current date published 10 05 23 tracked changes wind energy generation systems power performance of electricity](#)

iec 61400 12 1 ed 2 0 b 2017 ansi webstore - Jun 06 2022

web [iec 61400 12 1 2017](#) specifies a procedure for measuring the power performance characteristics of a single wind turbine and applies to the testing of wind turbines of all

iec 61400 12 2 2022 iec webstore - Sep 21 2023

web abstract [iec 61400 12 2 2022](#) specifies a procedure for verifying the power performance characteristics of a single electricity producing horizontal axis wind turbine that is not

iec 61400 12 1 wind energy generation systems part 12 1 - May 05 2022

web sep 1 2022 details history references scope this part of [iec 61400](#) specifies a procedure for measuring the power performance characteristics of a single wind turbine

iec tr 61400 12 4 2020 iec normen vde verlag - Jan 01 2022

web [iec tr 61400 12 4 2020](#) summarizes the current state of the art in numerical flow modelling existing guidelines and past benchmarking experience in numerical model validation and

iec 61400 50 2 2022 iec webstore - Aug 08 2022

web [iec 61400 50 2 2022](#) is applicable specifically to the use of ground mounted remote sensing wind measurement instruments i e devices which measure the wind at some location

iec 61400 12 1 2017 iec webstore - Dec 12 2022

web [iec 61400 12 1 2017](#) specifies a procedure for measuring the power performance characteristics of a single wind turbine and applies to the testing of wind turbines of all

edition 1 0 2005 12 international standard iec - Sep 09 2022

web [iec 61400 12](#) consists of the following parts under the general title wind turbines part 12 1 power performance measurements of electricity producing wind turbines part 12 2

edition 1 0 2022 09 international standard norme - Jan 13 2023

web this first edition of [iec 61400 12](#) is part of a structural revision that cancels and replaces the performance standards [iec 61400 12 1 2017](#) and [iec 61400 12 2 2013](#) the structural

iec 61400 12 2 wind energy generation systems part 12 2 - Feb 14 2023

web [iec 61400 12 2 revision 2 0 september 2022](#) wind energy generation systems part 12 2 power performance of electricity producing wind turbines based on nacelle

[iec 61400 2 2013 iec webstore rural electrification wind power](#) - Nov 11 2022

web abstract iec 61400 2 2013 deals with safety philosophy quality assurance and engineering integrity and specifies requirements for the safety of small wind turbines

iec 61400 12 1 ed 3 0 b 2022 wind energy generation systems - Oct 10 2022

web iec 61400 12 1 2022 specifies a procedure for measuring the power performance characteristics of a single wind turbine and applies to the testing of wind turbines of all

iec 61400 12 2 wind turbines part 12 2 power performance - Aug 20 2023

web mar 1 2013 wind turbines part 12 2 power performance of electricity producing wind turbines based on nacelle anemometry this part of iec 61400 12 specifies a procedure

international iec standard 61400 2 - Feb 02 2022

web international standard iec 61400 2 has been prepared by iec technical committee 88 wind turbines this second edition cancels and replaces the first edition published in 1996

iec 61400 12 1 2022 iec webstore - May 17 2023

web iec 61400 12 1 2022 specifies a procedure for measuring the power performance characteristics of a single wind turbine and applies to the testing of wind turbines of all

reflect shapes practice reflections khan academy - Nov 06 2022

web reflect points determining reflections determine reflections determining reflections advanced determine reflections advanced reflecting shapes reflecting shapes diagonal line of reflection reflecting shapes reflect shapes

tesccc geometry reflections pdf full pdf red ortax - Mar 30 2022

web tesccc geometry reflections pdf pages 2 7 tesccc geometry reflections pdf upload herison o robertson 2 7 downloaded from red ortax org on september 4 2023 by

tesccc geometry unit 11 lesson 01 cyberlab sutd edu sg - Jan 08 2023

web poignant reflections to take you deeper into god s word each lesson includes an opening reflection on the bible book you re studying background information to deepen your

tesccc geometry circles lines and angles - Mar 10 2023

web tesccc geometry circles lines and angles menu home translate

tesccc geometry reflections desk cw no - May 12 2023

web tesccc geometry reflections transformations with quadratic functions mr taylor s math march 28th 2018 transformations with quadratic functions tesccc 09 06 12 page

tesccc geometry reflections lia erc gov ph - Aug 03 2022

web tesccc geometry reflections tesccc algebra 1 answer key golfvw de april 17th 2018 read and download tesccc algebra

prophetie des andes les lectionary reflections years

tescccgeometryreflections download only 2 telcomanager - Jan 28 2022

web regents exams and answers geometry revised edition seg books from the reviews of the french edition this is a rich and useful volume the material it treats has relevance

tesccc geometry reflections bespoke cityam - Sep 23 2021

web tesccc geometry reflections tesccc geometry reflections reflections geometry hs mathematics unit 02 lesson 02 answers tesccc geometry investigating parallel lines

2010 tesccc geometry answers pdf pdf google sheets - Jun 13 2023

web 2010 tesccc geometry answers pdf pdf google sheets loading

tesccc geometry reflections orientation sutd edu sg - Feb 09 2023

web tesccc geometry reflections 2010 tesccc geometry answers harver de tesccc geometry answer key unit 2 morgar de reflections 2012 tesccc key kvaser de

transformations reflections teacher notes texas - Apr 30 2022

web transformations reflections teacher notes math nspired 2013 texas instruments incorporated 4 education ti com answer yes because the pre image and

tesccc geometry reflections - Jul 14 2023

web tesccc geometry reflections taylor s math march 28th 2018 transformations with quadratic functions tesccc 09 06 12 page state if there is a reflection over the x axis

tesccc geometry reflections 2023 - Jun 01 2022

web tesccc geometry reflections and numerous book collections from fictions to scientific research in any way accompanied by them is this tesccc geometry reflections that

reflecting shapes article reflections khan academy - Oct 05 2022

web a reflection is a transformation that acts like a mirror it swaps all pairs of points that are on exactly opposite sides of the line of reflection

tesccc geometry unit 7 lesson 1 pdf harvard university - Feb 26 2022

web our books behind this one merely said the tesccc geometry unit 7 lesson 1 is universally compatible with any devices to read fossil forensics jerry bergman 2017 in fossil

reflecting shapes video reflections khan academy - Jul 02 2022

web abouttranscript let s reflect a quadrilateral across the x axis to do this we find new points a b c d by keeping the same x coordinates and changing the y coordinates to their

[govt engg college trichur - Dec 27 2021](#)

web view our exclusive gallery to get a glimpse of the college and the various facilities and amenities

[tesccc geometry reflections full pdf - Aug 15 2023](#)

web tesccc geometry reflections right here we have countless ebook tesccc geometry reflections and collections to check out we additionally have the funds for variant

türkiye nin yer Şekilleri konu testi coğrafya hocası - Oct 25 2021

web jan 3 2020 10 sınıf coğrafya türkiye nin yer Şekilleri konu testi testimiz pdf halinde hazırlanmış olup 16 sorudur

[tesccc geometry reflections lia erc gov ph - Apr 11 2023](#)

web tesccc geometry reflections tesccc geometry answer key unit 8 lesson 1 mehrpc de may 2nd 2018 tesccc geometry answer key unit 8 lesson 1 tesccc geometry

tesccc geometry reflections secure4 khronos - Sep 04 2022

web jun 11 2023 what we meet the cost of under as proficiently as review tesccc geometry reflections what you analogous to browse tesccc geometry reflections is

[tesccc geometry reflections pdf - Dec 07 2022](#)

web may 2 2023 tesccc geometry reflections pdf is clear in our digital library an online entry to it is set as public as a result you can download it instantly our digital library

[ssc cgl geometry important topics and prep tips jagran josh - Nov 25 2021](#)

web feb 23 2018 basics of geometry polygons triangle circle quadrilateral miscellaneous covering mensuration above mentioned topics are easy only if you have understood

[chemistry eoc review packet answer key download only - May 09 2022](#)

reviewed discussed and correct s 1 10 of the 2014 tn eoc released packet for a grade quiz students completed s 1 10 in the class of 2014 tn eoc released packages for a quiz

eoc review packet answers studocu - Nov 15 2022

chemistry eoc review packet answer key eventually you will enormously discover a further experience and success by spending more cash nevertheless when pull off you believe that

[released eoc exams mrs osborne s class - Oct 14 2022](#)

strategies eoc chemistry includes the 5 secret keys to staar success time is your greatest enemy guessing is not guesswork practice smarter not harder prepare don t

chemistry end of course review answers pdfiller - Feb 18 2023

cambridge international a level chemistry answers to end of chapter questions cambridge international as and a evel

chemistry cambridge niversity ress 2014 or the di substituted

review packet 1 pdf chemistry eoc review packet matter and - Aug 24 2023

1 chemistry eoc review packet matter and change pages 34 50 vocabulary 1 chemical change 2 chemical property 3 physical change 4 physical property 5 homogeneous

chem eoc study guide answers updated 1 docx course hero - Jul 23 2023

view chem eoc study guide answers updated 1 docx from geometry 123a at edgewater high chemistry eoc review packet matter and change pages 34 50 vocabulary 1

chemistry eoc review packet answers copy uniport edu - Apr 08 2022

quizzes to help you test your understanding and pinpoint areas in need of review whether you re preparing for an exam or seeking a start to finish study aid this workbook is your ticket to

chemistry eoc review packet answer key bruce alberts pdf - Aug 12 2022

staar success strategies eoc chemistry includes the 5 secret keys to staar success time is your greatest enemy guessing is not guesswork practice smarter not harder

eoc chemistry internet4classrooms - Dec 16 2022

chemistry eoc re packet answer key reviewing chemistry eoc re packet answer key unlocking the spellbinding force of linguistics in a fast paced world fueled by information and

chem2 chemistry eoc review packet matter and change - May 21 2023

chemistry eoc review packet answer key chemistry eoc review packet answer key 3 downloaded from forms csit edu in on 2019 01 03 by guest packet answer key budget

chemistry eoc review packet answer key ams istanbul edu - Mar 19 2023

fill chemistry end of course review answers edit online sign fax and printable from pc ipad tablet or mobile with pdfiller instantly try now

chemistry eoc re packet answer key pdf learn copyblogger - Sep 13 2022

chemistry eoc review packet answer key chemistry acp review packet answer key pdf chemistry eoc review answer key mail bani com bd chemistry eoc review

chemistry eoc review packet answers c2mag com - Feb 06 2022

chemistry eoc review packet answers minedit com - Dec 04 2021

[chemistry eoc review packet answer key pdf elk dyl](#) - Jul 11 2022

Jul 11 2023 chemistry eoc review packet answers 1 12 downloaded from uniport edu ng on July 11 2023 by guest chemistry
eoc review packet answers as recognized adventure as

master the chemistry eoc with these practice test answers - Jun 22 2023

chemistry eoc review packet matter and change pages 34 50 vocabulary 1 chemical change 2 chemical property 3 physical
change 4 physical property 5 homogeneous

answers to eocqs international school of siem reap - Jan 17 2023

released biology eoc exams tips for using practice tests effectively 1 take practice test time yourself and use scratch paper
resist the urge to google every question 2 use the test keys

chemistry eoc review packet 2 answer key copy uniport edu - Mar 07 2022

May 3 2023 if you are looking for a genuine chemistry eoc review packet answers you've come to the right place read up on
ours and 3rd party reviews here

chemistry eoc review packet answers pdf pdf - Jan 05 2022

chemistry eoc review flashcards quizlet - Sep 25 2023

activation energy the minimum amount of energy required by reacting particles in order to form the activated complex and
lead to a reaction accuracy refers to how close a measured value is

chemistry eoc review packet answer key pdf forms csit edu - Apr 20 2023

chemistry eoc review packet answer key chemistry organic chemistry binder ready version environmental organic chemistry
introduction to organic chemistry a framework

chemistry eoc review packet answer key 2022 thor byteorbit - Jun 10 2022

right here we have countless ebook chemistry eoc review packet 2 answer key and collections to check out we additionally
have enough money variant types and with type of the books to browse