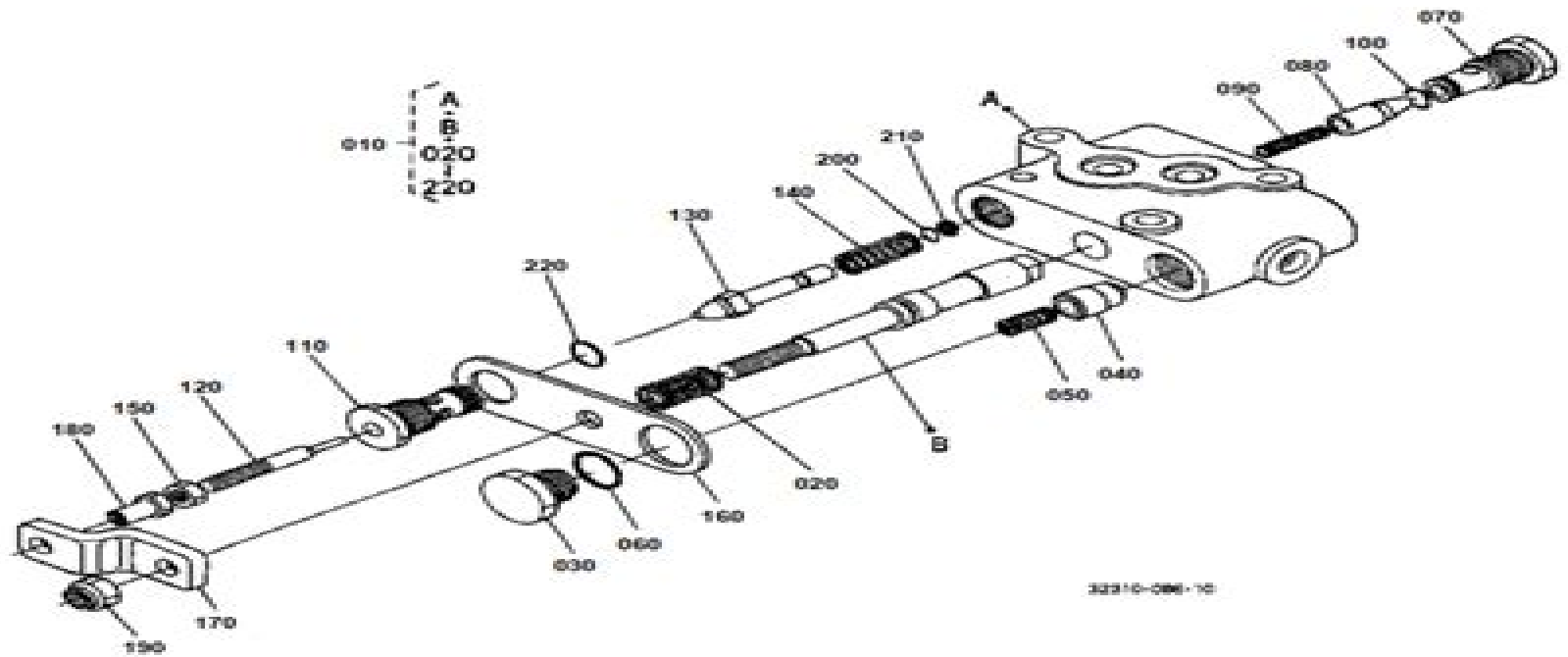


CONTROL VALVE (POSITION CONTROL) [COMPONENT PARTS]



Kubota L 2500 Manual

SJ Ball



Kubota L 2500 Manual:

Power Farming in Australia and New Zealand Technical Manual ,1989 *Public Works Manual* ,2002
Implement & Tractor Red Book ,1988 **State of Colorado Mobile Equipment Manual** ,1998 **Farm Machinery & Tractor Facts** ,1983 **Moody's International Manual** ,1998 *Official Guide* ,2005 **Mergent International Manual** ,2003 *Farmers and Consumers Market Bulletin* ,2008 **Official Guide, Tractors and Farm Equipment** ,1988 *The NYSEM International Bibliography of Electron Microscopy* ,1959 **Science Citation Index** ,1994 Vols for 1964 have guides and journal lists January 2023 - Surplus Record Machinery & Equipment Directory
Thomas C. Scanlan,2023-01-01 SURPLUS RECORD is the leading independent business directory of new and used capital equipment machine tools machinery and industrial equipment listing over 110 000 industrial assets including metalworking and fabricating machine tools chemical and process equipment cranes air compressors pumps motors circuit breakers generators transformers turbines and more Over 1 100 businesses list with the SURPLUS RECORD March 2022 issue Vol 100 No 1 **Farm Equipment Red Book Issue** ,1990 *Diesel & Gas Turbine Worldwide Catalog* ,1983 **Scientific and Technical Aerospace Reports** ,1975 *Blumgart's Surgery of the Liver, Biliary Tract and Pancreas, 2-Volume Set - E-Book* William R. Jarnagin,2022-09-13 Balancing basic science with information on everyday clinical practice Blumgart s Surgery of the Liver Biliary Tract and Pancreas 7th Edition provides you with expert guidance and advances in the field so you can offer patients the most optimal diagnostic and surgical care In two convenient volumes Dr William Jarnagin and his team of internationally recognized surgeons cover exactly what you need to know including advances in diagnostic and surgical techniques minimally invasive surgeries new interventional diagnostic techniques and all relevant diseases This comprehensive practical reference is designed to help you choose and perform the most appropriate procedures that will minimize inpatient hospital time curtail costs and reduce overall recovery time for your patients Presents cutting edge guidance on pathology diagnostics surgery and non operative intervention of the liver biliary tract and pancreas in one highly regarded authoritative reference Covers all surgical approaches both open and minimally invasive Considers all worldwide opinions and approaches to management and includes key data on surgical outcomes to better inform clinical decision making Contains 161 chapters with updated references and additional figures more than 1 500 illustrations in all The imaging section has been reorganized to reflect a disease based approach Includes new and expanded sections on advances in molecular characterization of benign and malignant HPB diseases perioperative management interventional techniques minimally invasive surgery and robotics and therapeutic advances for malignant disease Features a section dedicated entirely to operative technique plus a new historical chapter authored by Professor Jacques Belghitti Hepatobiliary and Pancreatic Surgery Historical Perspective October 2022 - Surplus Record Machinery & Equipment Directory Surplus Record,2022-10-01 SURPLUS RECORD is the leading independent business directory of new and used capital equipment

machine tools machinery and industrial equipment listing over 100 000 industrial assets including metalworking and fabricating machine tools chemical and process equipment cranes air compressors pumps motors circuit breakers generators transformers turbines and more Over 1 100 businesses list with the SURPLUS RECORD October 2022 issue Vol 99 No 10

Research Grants Index National Institutes of Health (U.S.). Division of Research Grants,1969 Membranes Technology ebook Collection Rajindar Singh,E.J. Hoffman,Simon Judd,2008-09-08 Membranes Technology ebook Collection contains 4 of our best selling titles providing the ultimate reference for every filtration and separation engineer s library Get access to over 1500 pages of reference material at a fraction of the price of the hard copy books This CD contains the complete ebooks of the following 4 titles Singh Hybrid Membrane Systems for Water Purification Systems Design and Operations Technology 9781856174428 Judd The MBR Book Principles and Applications of Membrane Bioreactors for Water and Wastewater Treatment 9781856174817 Judd Membranes for Industrial Wastewater Recovery and Re use 9781856173896 Hoffman Membrane Separations Technology 9780750677103 Four fully searchable titles on one CD providing instant access to the ULTIMATE library of engineering materials for filtration and separation professionals 1500 pages of practical and theoretical membranes information in one portable package Incredible value at a fraction of the cost of the print books

This Enthralling Realm of E-book Books: A Detailed Guide Revealing the Advantages of E-book Books: A Realm of Ease and Versatility E-book books, with their inherent mobility and ease of availability, have liberated readers from the constraints of physical books. Gone are the days of lugging bulky novels or meticulously searching for particular titles in shops. Kindle devices, stylish and lightweight, seamlessly store an wide library of books, allowing readers to indulge in their favorite reads anytime, everywhere. Whether traveling on a bustling train, relaxing on a sun-kissed beach, or just cozying up in bed, Kindle books provide an unparalleled level of convenience. A Literary Universe Unfolded: Exploring the Wide Array of E-book Kubota L 2500 Manual Kubota L 2500 Manual The Kindle Shop, a virtual treasure trove of literary gems, boasts an wide collection of books spanning varied genres, catering to every readers preference and choice. From captivating fiction and mind-stimulating non-fiction to classic classics and modern bestsellers, the E-book Shop offers an unparalleled abundance of titles to explore. Whether looking for escape through immersive tales of fantasy and adventure, diving into the depths of past narratives, or broadening ones knowledge with insightful works of science and philosophy, the Kindle Store provides a gateway to a bookish world brimming with limitless possibilities. A Revolutionary Force in the Bookish Landscape: The Enduring Impact of E-book Books Kubota L 2500 Manual The advent of E-book books has undoubtedly reshaped the literary scene, introducing a model shift in the way books are published, distributed, and consumed. Traditional publication houses have embraced the digital revolution, adapting their approaches to accommodate the growing need for e-books. This has led to a surge in the availability of E-book titles, ensuring that readers have entry to a wide array of literary works at their fingertips. Moreover, E-book books have equalized access to literature, breaking down geographical limits and offering readers worldwide with equal opportunities to engage with the written word. Regardless of their place or socioeconomic background, individuals can now immerse themselves in the intriguing world of literature, fostering a global community of readers. Conclusion: Embracing the Kindle Experience Kubota L 2500 Manual E-book books Kubota L 2500 Manual, with their inherent ease, versatility, and wide array of titles, have unquestionably transformed the way we experience literature. They offer readers the liberty to explore the boundless realm of written expression, whenever, everywhere. As we continue to travel the ever-evolving digital landscape, Kindle books stand as testament to the lasting power of storytelling, ensuring that the joy of reading remains accessible to all.

<http://www.armchairempire.com/files/browse/Documents/Mcgraw%20Hill%20Connect%20Plus%20Study%20Guide%20Biology.pdf>

Table of Contents Kubota L 2500 Manual

1. Understanding the eBook Kubota L 2500 Manual
 - The Rise of Digital Reading Kubota L 2500 Manual
 - Advantages of eBooks Over Traditional Books
2. Identifying Kubota L 2500 Manual
 - Exploring Different Genres
 - Considering Fiction vs. Non-Fiction
 - Determining Your Reading Goals
3. Choosing the Right eBook Platform
 - Popular eBook Platforms
 - Features to Look for in an eBook
 - User-Friendly Interface
4. Exploring eBook Recommendations from Kubota L 2500 Manual
 - Personalized Recommendations
 - eBook User Reviews and Ratings
 - eBook and Bestseller Lists
5. Accessing Kubota L 2500 Manual Free and Paid eBooks
 - eBook Public Domain eBooks
 - eBook Subscription Services
 - eBook Budget-Friendly Options
6. Navigating Kubota L 2500 Manual eBook Formats
 - ePub, PDF, MOBI, and More
 - eBook Compatibility with Devices
 - eBook Enhanced eBook Features
7. Enhancing Your Reading Experience
 - Adjustable Fonts and Text Sizes of eBook
 - Highlighting and Note-Taking eBook
 - Interactive Elements eBook
8. Staying Engaged with eBook

- Joining Online Reading Communities
 - Participating in Virtual Book Clubs
 - Following Authors and Publishers Kubota L 2500 Manual
9. Balancing eBooks and Physical Books Kubota L 2500 Manual
- Benefits of a Digital Library
 - Creating a Diverse Reading Collection Kubota L 2500 Manual
10. Overcoming Reading Challenges
- Dealing with Digital Eye Strain
 - Minimizing Distractions
 - Managing Screen Time
11. Cultivating a Reading Routine Kubota L 2500 Manual
- Setting Reading Goals Kubota L 2500 Manual
 - Carving Out Dedicated Reading Time
12. Sourcing Reliable Information of Kubota L 2500 Manual
- Fact-Checking eBook Content of Kubota L 2500 Manual
 - Distinguishing Credible Sources
13. Promoting Lifelong Learning
- Utilizing eBooks for Skill Development
 - Exploring Educational eBooks
14. Embracing eBook Trends
- Integration of Multimedia Elements
 - Interactive and Gamified eBooks

Kubota L 2500 Manual Introduction

Free PDF Books and Manuals for Download: Unlocking Knowledge at Your Fingertips In today's fast-paced digital age, obtaining valuable knowledge has become easier than ever. Thanks to the internet, a vast array of books and manuals are now available for free download in PDF format. Whether you are a student, professional, or simply an avid reader, this treasure trove of downloadable resources offers a wealth of information, conveniently accessible anytime, anywhere. The advent of online libraries and platforms dedicated to sharing knowledge has revolutionized the way we consume information. No longer confined to physical libraries or bookstores, readers can now access an extensive collection of digital books and

manuals with just a few clicks. These resources, available in PDF, Microsoft Word, and PowerPoint formats, cater to a wide range of interests, including literature, technology, science, history, and much more. One notable platform where you can explore and download free Kubota L 2500 Manual PDF books and manuals is the internet's largest free library. Hosted online, this catalog compiles a vast assortment of documents, making it a veritable goldmine of knowledge. With its easy-to-use website interface and customizable PDF generator, this platform offers a user-friendly experience, allowing individuals to effortlessly navigate and access the information they seek. The availability of free PDF books and manuals on this platform demonstrates its commitment to democratizing education and empowering individuals with the tools needed to succeed in their chosen fields. It allows anyone, regardless of their background or financial limitations, to expand their horizons and gain insights from experts in various disciplines. One of the most significant advantages of downloading PDF books and manuals lies in their portability. Unlike physical copies, digital books can be stored and carried on a single device, such as a tablet or smartphone, saving valuable space and weight. This convenience makes it possible for readers to have their entire library at their fingertips, whether they are commuting, traveling, or simply enjoying a lazy afternoon at home. Additionally, digital files are easily searchable, enabling readers to locate specific information within seconds. With a few keystrokes, users can search for keywords, topics, or phrases, making research and finding relevant information a breeze. This efficiency saves time and effort, streamlining the learning process and allowing individuals to focus on extracting the information they need. Furthermore, the availability of free PDF books and manuals fosters a culture of continuous learning. By removing financial barriers, more people can access educational resources and pursue lifelong learning, contributing to personal growth and professional development. This democratization of knowledge promotes intellectual curiosity and empowers individuals to become lifelong learners, promoting progress and innovation in various fields. It is worth noting that while accessing free Kubota L 2500 Manual PDF books and manuals is convenient and cost-effective, it is vital to respect copyright laws and intellectual property rights. Platforms offering free downloads often operate within legal boundaries, ensuring that the materials they provide are either in the public domain or authorized for distribution. By adhering to copyright laws, users can enjoy the benefits of free access to knowledge while supporting the authors and publishers who make these resources available. In conclusion, the availability of Kubota L 2500 Manual free PDF books and manuals for download has revolutionized the way we access and consume knowledge. With just a few clicks, individuals can explore a vast collection of resources across different disciplines, all free of charge. This accessibility empowers individuals to become lifelong learners, contributing to personal growth, professional development, and the advancement of society as a whole. So why not unlock a world of knowledge today? Start exploring the vast sea of free PDF books and manuals waiting to be discovered right at your fingertips.

FAQs About Kubota L 2500 Manual Books

How do I know which eBook platform is the best for me? Finding the best eBook platform depends on your reading preferences and device compatibility. Research different platforms, read user reviews, and explore their features before making a choice. Are free eBooks of good quality? Yes, many reputable platforms offer high-quality free eBooks, including classics and public domain works. However, make sure to verify the source to ensure the eBook credibility. Can I read eBooks without an eReader? Absolutely! Most eBook platforms offer webbased readers or mobile apps that allow you to read eBooks on your computer, tablet, or smartphone. How do I avoid digital eye strain while reading eBooks? To prevent digital eye strain, take regular breaks, adjust the font size and background color, and ensure proper lighting while reading eBooks. What the advantage of interactive eBooks? Interactive eBooks incorporate multimedia elements, quizzes, and activities, enhancing the reader engagement and providing a more immersive learning experience. Kubota L 2500 Manual is one of the best book in our library for free trial. We provide copy of Kubota L 2500 Manual in digital format, so the resources that you find are reliable. There are also many Ebooks of related with Kubota L 2500 Manual. Where to download Kubota L 2500 Manual online for free? Are you looking for Kubota L 2500 Manual PDF? This is definitely going to save you time and cash in something you should think about. If you trying to find then search around for online. Without a doubt there are numerous these available and many of them have the freedom. However without doubt you receive whatever you purchase. An alternate way to get ideas is always to check another Kubota L 2500 Manual. This method for see exactly what may be included and adopt these ideas to your book. This site will almost certainly help you save time and effort, money and stress. If you are looking for free books then you really should consider finding to assist you try this. Several of Kubota L 2500 Manual are for sale to free while some are payable. If you arent sure if the books you would like to download works with for usage along with your computer, it is possible to download free trials. The free guides make it easy for someone to free access online library for download books to your device. You can get free download on free trial for lots of books categories. Our library is the biggest of these that have literally hundreds of thousands of different products categories represented. You will also see that there are specific sites catered to different product types or categories, brands or niches related with Kubota L 2500 Manual. So depending on what exactly you are searching, you will be able to choose e books to suit your own need. Need to access completely for Campbell Biology Seventh Edition book? Access Ebook without any digging. And by having access to our ebook online or by storing it on your computer, you have convenient answers with Kubota L 2500 Manual To get started finding Kubota L 2500 Manual, you are right to find our website which has a comprehensive collection of books online. Our library is the biggest of these that have literally hundreds of thousands of different products represented. You will also see that there are specific sites catered to different categories or niches related with Kubota L 2500 Manual So depending on what exactly you are searching, you will be able to choose ebook to suit your own need. Thank you for reading Kubota L 2500

Manual. Maybe you have knowledge that, people have search numerous times for their favorite readings like this Kubota L 2500 Manual, but end up in harmful downloads. Rather than reading a good book with a cup of coffee in the afternoon, instead they juggled with some harmful bugs inside their laptop. Kubota L 2500 Manual is available in our book collection an online access to it is set as public so you can download it instantly. Our digital library spans in multiple locations, allowing you to get the most less latency time to download any of our books like this one. Merely said, Kubota L 2500 Manual is universally compatible with any devices to read.

Find Kubota L 2500 Manual :

mcgraw hill connect plus study guide biology

mcgraw hill connect math answer key 6th grade texas

~~mcgraw hill connect solutions manual managerial accounting~~

mcgraw hill connect german kapitel 3 answers

mcgraw hill connect quiz answer key biology

mcgraw hill connect solutions manual dynamics

mcgraw hill connect homework answers chemistry

mcgraw hill connect fundamental accounting principles answer key

mcgraw hill connect financial accounting answers chapter 3

mcgraw hill connect music answers

~~mcgraw hill contemporary nutrition test 1 answers~~

mcgraw hill connect managerial accounting test answers

mcgraw hill connect electrical engineering solution manual

mcgraw hill coursesmart

mcgraw hill connect managerial accounting answers key

Kubota L 2500 Manual :

teacher training in taiwan expanding your teaching skillset - Feb 15 2022

web native english teachers istanbul one worldist is a language school offering private and group lessons in 8 languages
english russian french german etc to

teachers college teacher salaries in istanbul glassdoor - Mar 19 2022

web 2 dakawa teachers college 2022 11 23 art centres in the 1960s and 1970s resistance posters and other political art of the 1980s and the wide variety of subjects and

dakawa teachers college facebook - Feb 27 2023

web dakawa teachers college joining instruction 2022 2023 joining instructions for dakawa teachers college 2022 2023 information about joining instruction at dakawa teachers

dakawa teachers college courses details and contact - Jun 21 2022

web average salary for teachers college teacher in istanbul try 187 900 based on 845 salaries posted anonymously by teachers college teacher employees in istanbul

dakawa teachers college joining instructions udahiliportal com - Dec 28 2022

web learn more about dakawa teachers college kilosa admission courses offered placements results fee structure selected students entry requirements get

dakawa teachers college joining instruction 2022 2023 duka - Nov 26 2022

web jul 1 2023 dakawa teachers college joining instruction 2023 2024 requirements for registration certificates and ids you need to bring the following documents to

dakawa teachers college blogger - May 01 2023

web june 7 2022 in teachers college selection 2022 dakawa teachers college is the government owned teachers college in tanzania dakawa teachers college offers

pdf dakawa teachers college joining instruction 2023 2024 - Jul 03 2023

web aug 22 2022 dakawa teachers college is one among of the teachers colleges of which their selection for teacher education results are out name of the college dakawa

education in turkey wikipedia - Jan 17 2022

dakawa teachers college chuo cha ualimu dakawa kilosa - Sep 05 2023

web may 24 2023 joining instructions at dakawa teachers college and joining instruction za chuo cha dakawa teachers college can be found in this article tanzania s government

dakawa teachers college joining instructions 2022 2023 - May 21 2022

web jan 3 2022 the picture isn t related to the article unless you want to get very metaphorical when i first arrived in taiwan opportunities for professional development as an english

dakawa teachers college e588 dsee results 2023 - Oct 26 2022

web may 22 2023 dakawa teachers college diploma in secondary education 2022 2023 the secretary general of the ministry

of education science and technology is announcing
native english teachers istanbul turkey esl - Nov 14 2021

dakawa teachers college joining instruction chuo cha ualimu - Aug 04 2023

web jun 15 2020 dakawa teachers college who we are the national council for technical education nacte is a corporate body established by the national council for

dakawa teachers college diploma in secondary education - Jul 23 2022

web aug 29 2022 dakawa teachers college joining instructions 2022 the ministry of education and vocational training is a government ministry in tanzania the main office

dakawa teachers college 2023 angazetu - Jun 02 2023

web dakawa teachers college 863 likes 2 talking about this education

dakawa teachers college admissions chuo cha - Oct 06 2023

web dakawa teachers college application form online selected candidates chuo cha ualimu dakawa teachers college matokeo courses programmes offered fee structure

dakawa teachers college joining instruction pdf 2023 - Aug 24 2022

web jul 28 2023 dakawa teachers college joining instructions the management of the dakawa teachers college has publicized the joining instructions admission

dakawa teachers college selection and joining instructions - Mar 31 2023

web joining instructions for dakawa teachers college have been successfully uploaded online to download your joining instruction follow links below download dakawa teachers

dakawa teachers college selection for 2022 2023 - Jan 29 2023

web jul 13 2023 if you want to check for dakawa teachers college e588 dsee results for 2023 kindly use the link provided below to get started kindly read the description

dakawa teachers college joining instructions 2022 23 - Apr 19 2022

web beyazit state library was founded in 1884 beyazit state library was founded in 1884 istanbul university is the oldest university in turkey mithatpaşa primary school

dakawa teachers college kilosa guide 2023 mopawa - Sep 24 2022

web dakawa teachers college details find information such as courses offered contact details and admissions

dakawa teachers college data northitalia com - Dec 16 2021

kids natural history book making dinos fossils mammoths - Sep 18 2023

web kids natural history book making dinos fossils mammoths and more press judy amazon com au books

the kids natural history book making dinos fossils - Aug 05 2022

web click to read more about the kids natural history book making dinos fossils mammoths more williamson kids can series by judy press librarything is a cataloging and social networking site for booklovers

the kids natural history book making dinos fossils mummies - Jan 10 2023

web the kids natural history book making dinos fossils mummies zulu huts williamson kids can by judy press 2000 03 01 judy press books amazon ca

the kids natural history book making dinos fossils alibris - Oct 07 2022

web the kids natural history book making dinos fossils mummies zulu huts by judy press write the first customer review filter results shipping eligible for free shipping expedited shipping available item condition seller rating other options add to wishlist

the kids natural history book by judy press open library - Jul 04 2022

web the kids natural history book making dinos fossils mammoths more by judy press 0 ratings 1 want to read 0 currently reading 0 have read

the kids natural history book making dinos fossils - Aug 17 2023

web jun 1 1999 the kids natural history book making dinos fossils mammoths more judy press 2 60 5 ratings1 review arts crafts and nature activities explore various elements of the natural world including ocean life insects dinosaurs amphibians and reptiles birds mammals and early man paperback first published june 1 1999 book

the kids natural history book making dinos fossils - Mar 12 2023

web abebooks com the kids natural history book making dinos fossils mammoths more williamson kids can series 9781885593245 by press judy kline michael p and a great selection of similar new used and collectible books available now

the kids natural history book making book by judy press - Feb 11 2023

web the kids natural history book making book by judy press children s books children s science books 9781885593245 the kids natural history book making dinos fossils mammoths and more by judy press see customer reviews select format paperback 4 19 4 69 select condition like new unavailable very good 4 69 good

kids natural history book making dinos fossils mammoths - Oct 19 2023

web kids natural history book making dinos fossils mammoths and more press judy amazon sg books

kids natural history book making dinos fossils mammoths - Apr 13 2023

web kids natural history book making dinos fossils mammoths and more williamson kids can series paperback 1 jun 1999 by

judy press author

the kids natural history book making dinos fossils alibris - Feb 28 2022

web buy the kids natural history book making dinos fossils mummies zulu huts by judy press online at alibris we have new and used copies available in 0 edition starting at shop now

9781885593245 the kids natural history book making dinos fossils - Apr 01 2022

web mar 1 2000 kids natural history book making dinos fossils mammoths and more williamson kids can series by press judy williamson publishing co paperback used good simply brit shipped with premium postal service within 24 hours from the uk with impressive delivery time we have dispatched from our book depository items of good

the kids natural history book making dinos fossils - Jun 15 2023

web jul 17 2008 the kids natural history book making dinos fossils mammoths more press judy kline michael p 9781885593245 books amazon ca

the kids natural history book making dinos fossils mammoths - May 02 2022

web arts crafts and nature activities explore various elements of the natural world including ocean life insects dinosaurs amphibians and reptiles birds mammals and early man subject headings handicraft juvenile literature

the kids natural history book making dinos fossils - Nov 08 2022

web abebooks com the kids natural history book making dinos fossils mammoths more williamson kids can series new

the kids natural history book making dinos fossils - Sep 06 2022

web isbn 9781885593245 paperback williamson pub 2000 condition new brand new copy the kids natural history book making dinos fossils mammoths more williamson kids can series

9781885593245 the kids natural history book making dinos fossils - Jun 03 2022

web the kids natural history book making dinos fossils mammoths more williamson kids can series isbn 9781885593245 1885593244 by press judy kline michael p buy sell or rent this book for the best price compare prices on bookscouter

the kids natural history book making dinos fossils carnegie - Dec 09 2022

web the kids natural history book making dinos fossils mammoths more childrens book

the kids natural history book making dinos fossils mummies - May 14 2023

web the kids natural history book making dinos fossils mummies zulu huts williamson kids can by judy press 2000 03 01 on amazon com free shipping on qualifying offers the kids natural history book making dinos fossils mummies zulu huts

williamson kids can by judy press 2000 03 01

kids natural history book making dinos fossils mammoths - Jul 16 2023

web kids natural history book making dinos fossils mammoths and more williamson kids can series press judy amazon in

books skip to main content starts at 215 per month starts at 215 no cost emi available special offers and product promotions
5 instant discount up to inr 250 on hsbc cashback card credit card transactions

introductory guide meddra version 22 - Jul 11 2023

web meddra introductory guide version 22 0 1 march 2019 000272 1 introduction the medical dictionary for regulatory activities meddra terminology is the international medical terminology developed under the auspices of the international council for harmonisation of technical requirements for pharmaceuticals for human use ich

proverbs 17 22 amp a happy heart is good medicine and a bible gateway - Oct 02 2022

web a happy heart is good medicine and a joyful mind causes healing but a broken spirit dries up the bones read full chapter
proverbs 17 22 in all english translations proverbs 16

22 5 mg medication singapore shim clinic - Feb 06 2023

web men s std clinic hiv test 168 bedok south avenue 3 01 473 singapore 460168 65 6446 7446 call

gaza hospitals near collapse as fighting rages nearby - Mar 27 2022

web nov 11 2023 5 00 p m et operations at gaza s main hospital were showing signs of collapse on saturday with its director and the gazan health ministry describing power outages shortages of

proverbs 17 22 compare bible verse translations bible study - Jun 29 2022

web 22 a joyful heart is good medicine but a broken spirit dries up the bones read proverbs csb english standard version 22 a joyful heart is good medicine but a crushed spirit dries up the bones read proverbs esv king james version 22 a merry heart doeth good like a medicine but a broken spirit drieth the bones read proverbs kjv

moh news highlights ministry of health - Jan 05 2023

web apr 4 2022 written answer from september 2022 as part of the enhancement to medishield life patients receiving cancer drug treatments can separately claim up to an additional 1 200 per year to cover other outpatient costs such as scans incurred as part of the cancer drug treatment this is above and beyond the claimable limits for cancer drug

22 5 mg 15 ml medication singapore shim clinic - Mar 07 2023

web 22 5 mg 15 ml is a strength of medications in singapore shim clinic shim clinic men s std clinic hiv test 168 bedok south avenue 3 01 473 singapore 460168 map 65 6446 7446 call 65 8668 7446 whatsapp

proverbs 17 22 esv a joyful heart is good medicine but a bible gateway - Nov 03 2022

web proverbs 17 22english standard version 22 a joyful heart is good medicine but a crushed spirit dries up the bones read full chapter proverbs 17 22 in all english translations proverbs 16

update of moh list of subsidised drugs ace - Jun 10 2023

web mg and 22 5 mg injections treatment of locally advanced or metastatic hormonedependent prostate cancer not

recommended for subsidy 200 1 sep 2022 radium 223 solution for injection 1100 kbq ml treatment of patients with castration resistant prostate cancer with symptomatic bone metastases and no known visceral metastatic disease

[what s new meddra version 22](#) - Oct 14 2023

web meddra version 22 1 is a simple change version which means that changes are made only at the pt and llt levels of the meddra hierarchy change requests involve both meddra updates and smq changes

who model lists of essential medicines - Sep 13 2023

web jul 26 2023 the who model lists of essential medicines are updated every two years by the expert committee on selection and use of essential medicines the first essential medicines list was published in 1977 and the first essential medicines list for children was published in 2007 the current versions updated in july 2023 are the 23 rd

who model list of essential medicines 22nd list 2021 - Aug 12 2023

web 30 september 2021 technical document download 1 mb overview essential medicines are those that satisfy the priority health care needs of a population they are selected with due regard to disease prevalence and public health relevance evidence of efficacy and safety and comparative cost effectiveness

proverbs 17 22 a joyful heart is good medicine but a broken spirit - Jul 31 2022

web proverbs 17 22 audio crossref comm hebrew verse click for chapter new international version a cheerful heart is good medicine but a crushed spirit dries up the bones new living translation a cheerful heart is good medicine but a broken spirit saps a person s strength english standard version

proverbs 17 22 esv a joyful heart is good bible - May 29 2022

web 22 a merry heart doeth good like a medicine but a broken spirit drieth the bones 22 a cheerful heart is good medicine but a broken spirit saps a person s strength 22 a merry heart does good like medicine but a broken spirit dries the bones proverbs 17 22 new century version ncv 22 a happy heart is like good medicine

what does proverbs 17 22 mean bibleref com - Apr 27 2022

web proverbs 17 22 28 continues solomon s wise sayings he commends a joyful heart a calm spirit and controlled speech but he points out the bad effects of sins of negativity bribery imposing fines on righteous people and opposing the righteous chapter summary bibleref com is a ministry of a joyful heart is good medicine but a broken

proverbs 17 22 a merry heart does good like medicine but a - Feb 23 2022

web proverbs 17 22 nkjv a merry heart does good like medicine but a broken spirit dries the bones nkjv new king james version read proverbs 17 bible app bible app for kids verse images for proverbs 17 22 compare all versions proverbs 17 22 free reading plans and devotionals related to proverbs 17 22 being filled with god s love healing

drug prices of common chronic diseases pharmaceutical - Apr 08 2023

web following our last update on the drug prices for common chronic diseases like high blood pressure high blood lipids asthma and diabetes see here we have updated the pricelist for your reference do feel free to make comparison and be informed be responsible and take charge of your health matter get to know your medications well and also

meddra - May 09 2023

web nov 10 2023 in the late 1990s the international council for harmonisation of technical requirements for pharmaceuticals for human use ich developed meddra a rich and highly specific standardised medical terminology to facilitate sharing of regulatory information internationally for medical products used by humans more

europa regulator endorses high dose version of bayer eye - Dec 04 2022

web nov 10 2023 frankfurt nov 10 reuters bayer said on friday that the european medicines agency recommended approval of a higher dose version of eye drug eylea for treatment of a leading cause of blindness

[kb5033055 out of box experience update for windows 11 version](#) - Sep 01 2022

web nov 10 2023 vr mixed reality certified refurbished trade in for cash xbox game pass ultimate pc and windows games movies tv microsoft 365 for business microsoft power platform developer it