

NOTE:
Please read all instructions
carefully before using this
product

Table of Contents

Safety Notice

Important Assembly
Information

Care and Maintenance

Parts List

Warranty

Ordering Parts

Model
MWM-989

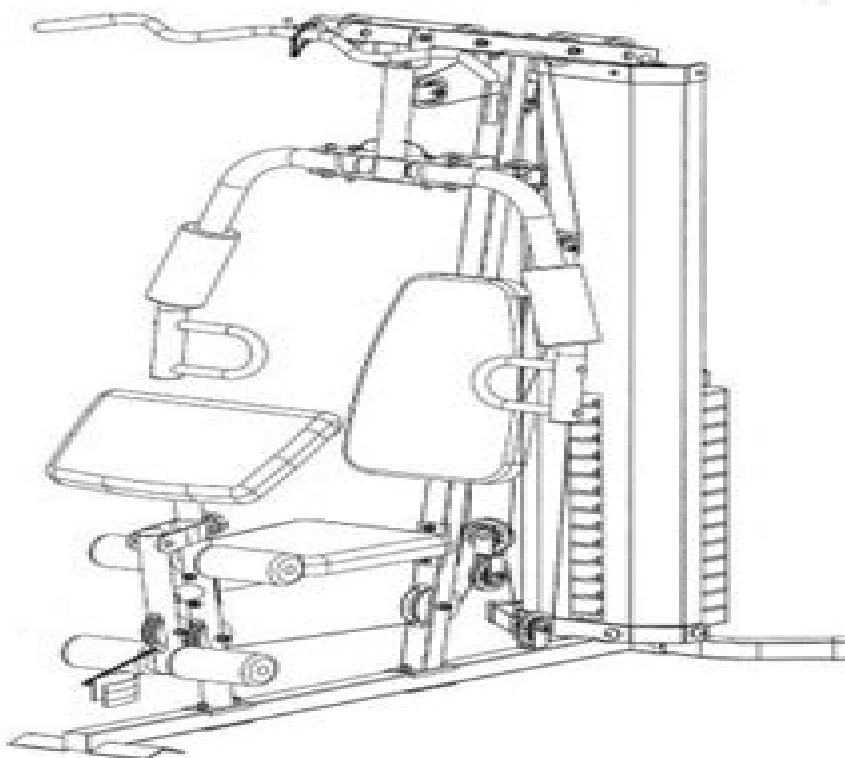
Retain This
Manual for
Reference

OWNER'S
MANUAL

200722

MARCY®

HOME GYM MWM-989



IMPORTANT: Please read this manual before commencing assembly of this product.

IMPEX® INC.

2801 S. Towne Ave, Pomona, CA 91766

Tel: (800) 999-8899

www.marcypro.com

support@impex-fitness.com

Marcy Home Gym Manual 2004 Models

Ed Bowker Staff, Staff Bowker, Ed

Marcy Home Gym Manual 2004 Models:

Books In Print 2004-2005 Ed Bowker Staff, Staff Bowker, Ed, 2004 *Who's Who of American Women 2004-2005* Inc.
Marquis Who's Who, Who's Who Marquis, 2004-06 A biographical dictionary of notable living women in the United States of
America *Forthcoming Books* Rose Arny, 2004 **Best Life** , 2006-07 Best Life magazine empowers men to continually
improve their physical emotional and financial well being to better enjoy the most rewarding years of their life *Willing's*
Press Guide and Advertisers' Directory and Handbook , 2005

This is likewise one of the factors by obtaining the soft documents of this **Marcy Home Gym Manual 2004 Models** by online. You might not require more become old to spend to go to the books commencement as capably as search for them. In some cases, you likewise reach not discover the proclamation Marcy Home Gym Manual 2004 Models that you are looking for. It will definitely squander the time.

However below, afterward you visit this web page, it will be therefore totally easy to get as well as download guide Marcy Home Gym Manual 2004 Models

It will not admit many time as we explain before. You can realize it though affect something else at home and even in your workplace. in view of that easy! So, are you question? Just exercise just what we find the money for under as skillfully as review **Marcy Home Gym Manual 2004 Models** what you in the manner of to read!

<http://www.armchairempire.com/book/book-search/Documents/introducing%20second%20language%20acquisition%20perspectives%20and%20practices.pdf>

Table of Contents Marcy Home Gym Manual 2004 Models

1. Understanding the eBook Marcy Home Gym Manual 2004 Models
 - The Rise of Digital Reading Marcy Home Gym Manual 2004 Models
 - Advantages of eBooks Over Traditional Books
2. Identifying Marcy Home Gym Manual 2004 Models
 - Exploring Different Genres
 - Considering Fiction vs. Non-Fiction
 - Determining Your Reading Goals
3. Choosing the Right eBook Platform
 - Popular eBook Platforms
 - Features to Look for in an Marcy Home Gym Manual 2004 Models
 - User-Friendly Interface

4. Exploring eBook Recommendations from Marcy Home Gym Manual 2004 Models
 - Personalized Recommendations
 - Marcy Home Gym Manual 2004 Models User Reviews and Ratings
 - Marcy Home Gym Manual 2004 Models and Bestseller Lists
5. Accessing Marcy Home Gym Manual 2004 Models Free and Paid eBooks
 - Marcy Home Gym Manual 2004 Models Public Domain eBooks
 - Marcy Home Gym Manual 2004 Models eBook Subscription Services
 - Marcy Home Gym Manual 2004 Models Budget-Friendly Options
6. Navigating Marcy Home Gym Manual 2004 Models eBook Formats
 - ePub, PDF, MOBI, and More
 - Marcy Home Gym Manual 2004 Models Compatibility with Devices
 - Marcy Home Gym Manual 2004 Models Enhanced eBook Features
7. Enhancing Your Reading Experience
 - Adjustable Fonts and Text Sizes of Marcy Home Gym Manual 2004 Models
 - Highlighting and Note-Taking Marcy Home Gym Manual 2004 Models
 - Interactive Elements Marcy Home Gym Manual 2004 Models
8. Staying Engaged with Marcy Home Gym Manual 2004 Models
 - Joining Online Reading Communities
 - Participating in Virtual Book Clubs
 - Following Authors and Publishers Marcy Home Gym Manual 2004 Models
9. Balancing eBooks and Physical Books Marcy Home Gym Manual 2004 Models
 - Benefits of a Digital Library
 - Creating a Diverse Reading Collection Marcy Home Gym Manual 2004 Models
10. Overcoming Reading Challenges
 - Dealing with Digital Eye Strain
 - Minimizing Distractions
 - Managing Screen Time
11. Cultivating a Reading Routine Marcy Home Gym Manual 2004 Models
 - Setting Reading Goals Marcy Home Gym Manual 2004 Models
 - Carving Out Dedicated Reading Time

12. Sourcing Reliable Information of Marcy Home Gym Manual 2004 Models
 - Fact-Checking eBook Content of Marcy Home Gym Manual 2004 Models
 - Distinguishing Credible Sources
13. Promoting Lifelong Learning
 - Utilizing eBooks for Skill Development
 - Exploring Educational eBooks
14. Embracing eBook Trends
 - Integration of Multimedia Elements
 - Interactive and Gamified eBooks

Marcy Home Gym Manual 2004 Models Introduction

In this digital age, the convenience of accessing information at our fingertips has become a necessity. Whether its research papers, eBooks, or user manuals, PDF files have become the preferred format for sharing and reading documents. However, the cost associated with purchasing PDF files can sometimes be a barrier for many individuals and organizations. Thankfully, there are numerous websites and platforms that allow users to download free PDF files legally. In this article, we will explore some of the best platforms to download free PDFs. One of the most popular platforms to download free PDF files is Project Gutenberg. This online library offers over 60,000 free eBooks that are in the public domain. From classic literature to historical documents, Project Gutenberg provides a wide range of PDF files that can be downloaded and enjoyed on various devices. The website is user-friendly and allows users to search for specific titles or browse through different categories. Another reliable platform for downloading Marcy Home Gym Manual 2004 Models free PDF files is Open Library. With its vast collection of over 1 million eBooks, Open Library has something for every reader. The website offers a seamless experience by providing options to borrow or download PDF files. Users simply need to create a free account to access this treasure trove of knowledge. Open Library also allows users to contribute by uploading and sharing their own PDF files, making it a collaborative platform for book enthusiasts. For those interested in academic resources, there are websites dedicated to providing free PDFs of research papers and scientific articles. One such website is Academia.edu, which allows researchers and scholars to share their work with a global audience. Users can download PDF files of research papers, theses, and dissertations covering a wide range of subjects. Academia.edu also provides a platform for discussions and networking within the academic community. When it comes to downloading Marcy Home Gym Manual 2004 Models free PDF files of magazines, brochures, and catalogs, Issuu is a popular choice. This digital publishing platform hosts a vast collection of publications from around the world. Users can search for specific titles or explore various categories and genres. Issuu

offers a seamless reading experience with its user-friendly interface and allows users to download PDF files for offline reading. Apart from dedicated platforms, search engines also play a crucial role in finding free PDF files. Google, for instance, has an advanced search feature that allows users to filter results by file type. By specifying the file type as "PDF," users can find websites that offer free PDF downloads on a specific topic. While downloading Marcy Home Gym Manual 2004 Models free PDF files is convenient, it's important to note that copyright laws must be respected. Always ensure that the PDF files you download are legally available for free. Many authors and publishers voluntarily provide free PDF versions of their work, but it's essential to be cautious and verify the authenticity of the source before downloading Marcy Home Gym Manual 2004 Models. In conclusion, the internet offers numerous platforms and websites that allow users to download free PDF files legally. Whether it's classic literature, research papers, or magazines, there is something for everyone. The platforms mentioned in this article, such as Project Gutenberg, Open Library, Academia.edu, and Issuu, provide access to a vast collection of PDF files. However, users should always be cautious and verify the legality of the source before downloading Marcy Home Gym Manual 2004 Models any PDF files. With these platforms, the world of PDF downloads is just a click away.

FAQs About Marcy Home Gym Manual 2004 Models Books

How do I know which eBook platform is the best for me? Finding the best eBook platform depends on your reading preferences and device compatibility. Research different platforms, read user reviews, and explore their features before making a choice. Are free eBooks of good quality? Yes, many reputable platforms offer high-quality free eBooks, including classics and public domain works. However, make sure to verify the source to ensure the eBook's credibility. Can I read eBooks without an eReader? Absolutely! Most eBook platforms offer web-based readers or mobile apps that allow you to read eBooks on your computer, tablet, or smartphone. How do I avoid digital eye strain while reading eBooks? To prevent digital eye strain, take regular breaks, adjust the font size and background color, and ensure proper lighting while reading eBooks. What's the advantage of interactive eBooks? Interactive eBooks incorporate multimedia elements, quizzes, and activities, enhancing the reader engagement and providing a more immersive learning experience. Marcy Home Gym Manual 2004 Models is one of the best books in our library for free trial. We provide a copy of Marcy Home Gym Manual 2004 Models in digital format, so the resources that you find are reliable. There are also many eBooks related to Marcy Home Gym Manual 2004 Models. Where to download Marcy Home Gym Manual 2004 Models online for free? Are you looking for Marcy Home Gym Manual 2004 Models PDF? This is definitely going to save you time and cash in something you should think about. If you're trying to find them, search around online. Without a doubt, there are numerous of these available, and many of them have the freedom. However, without a doubt, you receive whatever you purchase. An alternate way to get ideas is always to

check another Marcy Home Gym Manual 2004 Models. This method for see exactly what may be included and adopt these ideas to your book. This site will almost certainly help you save time and effort, money and stress. If you are looking for free books then you really should consider finding to assist you try this. Several of Marcy Home Gym Manual 2004 Models are for sale to free while some are payable. If you arent sure if the books you would like to download works with for usage along with your computer, it is possible to download free trials. The free guides make it easy for someone to free access online library for download books to your device. You can get free download on free trial for lots of books categories. Our library is the biggest of these that have literally hundreds of thousands of different products categories represented. You will also see that there are specific sites catered to different product types or categories, brands or niches related with Marcy Home Gym Manual 2004 Models. So depending on what exactly you are searching, you will be able to choose e books to suit your own need. Need to access completely for Campbell Biology Seventh Edition book? Access Ebook without any digging. And by having access to our ebook online or by storing it on your computer, you have convenient answers with Marcy Home Gym Manual 2004 Models To get started finding Marcy Home Gym Manual 2004 Models, you are right to find our website which has a comprehensive collection of books online. Our library is the biggest of these that have literally hundreds of thousands of different products represented. You will also see that there are specific sites catered to different categories or niches related with Marcy Home Gym Manual 2004 Models So depending on what exactly you are searching, you will be able to choose ebook to suit your own need. Thank you for reading Marcy Home Gym Manual 2004 Models. Maybe you have knowledge that, people have search numerous times for their favorite readings like this Marcy Home Gym Manual 2004 Models, but end up in harmful downloads. Rather than reading a good book with a cup of coffee in the afternoon, instead they juggled with some harmful bugs inside their laptop. Marcy Home Gym Manual 2004 Models is available in our book collection an online access to it is set as public so you can download it instantly. Our digital library spans in multiple locations, allowing you to get the most less latency time to download any of our books like this one. Merely said, Marcy Home Gym Manual 2004 Models is universally compatible with any devices to read.

Find Marcy Home Gym Manual 2004 Models :

introducing second language acquisition perspectives and practices

introduction to forensic psychology court law enforcement and correctional practices

introductory chemistry 7th edition zumdahl lab manual

introduction to statistics a calculus based approach

introduction to electron and ion optics poul dahl

introductory circuit analysis 10th edition

introduction to engineering mechanics a continuum approach

introducing visual c 2010 experts voice in net

introducing radical orthodoxy introducing radical orthodoxy

introduction to physics in modern medicine

introduction to educational research with myeducationlab 7th edition

~~introduction to criminal justice~~ ~~introduction to criminal justice~~

introduction to management science instructor manual

introduction to management science 10th edition

introducing windows azure for it professionals introducing windows azure for it professionals

Marcy Home Gym Manual 2004 Models :

I wasn't able to review the wrong answers and Pearson told ... Nov 20, 2023 — As per the Exam Scoring and Score Report FAQs, Microsoft does not share which questions were answered incorrectly. This is to protect the ... Display answers and points on quiz questions Learn how to display answers and points on quiz questions for students using Microsoft Forms. HOW-TO: Reviewing Guide Microsoft's Conference Management Toolkit is a hosted academic conference management system ... Review Questions. The questions in this section could consist of ... Solved Microsoft Specialist Guide to Microsoft Exam MD100 Oct 16, 2022 — Answer to Solved Microsoft Specialist Guide to Microsoft Exam MD100: | Chegg.com. How To Pass the MS-900 Microsoft 365 Fundamentals Exam Study guide for Exam MS-900: Microsoft 365 Fundamentals Sep 18, 2023 — This study guide should help you understand what to expect on the exam and includes a summary of the topics the exam might cover and links ... Video: Add and review comments - Microsoft Support Solved Microsoft Specialist Guide to Microsoft Exam MD100 Oct 16, 2022 — Answer to Solved Microsoft Specialist Guide to Microsoft Exam MD100: Check and share your quiz results Review answers for each question ... Select Review Answers to provide points and feedback. ... On the People tab, you can see individual details for each student, ... Before your first Microsoft Certification Exam ... WATCH THIS Smoldering Ashes: Cuzco and... by Walker, Charles F. Smoldering Ashes: Cuzco and... by Walker, Charles F. Smoldering Ashes by CF Walker · Cited by 26 — In Smoldering Ashes Charles F. Walker interprets the end of Spanish domination in Peru and that country's shaky transition to an autonomous republican state ... Smoldering Ashes: Cuzco and the Creation of Republican ... With its focus on Cuzco, the former capital of the Inca Empire, Smoldering Ashes highlights the promises and frustrations of a critical period whose long shadow ... Cuzco and the Creation of Republican Peru, 1780-1840 Description. In Smoldering Ashes Charles F. Walker interprets the end of Spanish domination in Peru and that country's shaky transition to an autonomous ... Cuzco and the Creation of Republican Peru, 1780-1840 (... by DP Cahill · 2000 — Smoldering Ashes: Cuzco

and the Creation of Republican Peru, 1780-1840. By Charles F. Walker. Latin America Otherwise: Languages, Empires, Nations. Durham ... Cuzco and the Creation of Republican Peru, 1780-1840 ... In Smoldering Ashes Charles F. Walker interprets the end of Spanish domination in Peru and that country's shaky transition to an autonomous republican state ... Cuzco and the Creation of Republican Peru, 1780-1840 Charles F. Walker. Smoldering Ashes: Cuzco and the Creation of Republican Peru, 1780-1840. Durham: Duke University Press, 1999. xiii + 330 pp. Cuzco and the creation of Republican Peru, 1780-1840 With its focus on Cuzco, the former capital of the Inca Empire, this book highlights the promises and frustrations of a critical period whose long shadow ... Cuzco and the creation of Republican Peru, 1780-1840 / ... Smoldering ashes : Cuzco and the creation of Republican Peru, 1780-1840 / Charles F. Walker. Smithsonian Libraries and Archives. Social Media Share Tools. Smoldering Ashes: Cuzco and the Creation of Republican ... Smoldering Ashes: Cuzco and the Creation of Republican Peru, 1780-1840 (Very likely signed by the author). 37 ratings by Goodreads · Charles F. Walker. Fifty Shades (novel series) Fifty Shades is a series of erotic novels by British author E. L. James, initially a trilogy consisting of Fifty Shades of Grey (2011), Fifty Shades Darker ... Fifty Shades (film series) Fifty Shades is a British-American film trilogy series based on the Fifty Shades trilogy by English author E. L. James. It is distributed by Universal ... Fifty Shades Trilogy (Fifty Shades of Grey ... This is a series of 3 books that should be read in order. Fifty shades of gray, fifty shades darker, and fifty shades free. This series is for adults 18 years ... Fifty Shades of Grey Series The original trilogy is told from Ana's point of view and consists of the books Fifty Shades of Grey, Fifty Shades Darker, and Fifty Shades ... Fifty Shades Movies In Order (How to Watch the Film Trilogy) The Fifty Shades trilogy is a British American film series based on English author E.L. James' trilogy of three sexual love dramas, "Fifty Shades of Grey." The ... Fifty Shades Series by E.L. James When literature student Anastasia Steele goes to interview young entrepreneur Christian Grey, she encounters a man who is beautiful, brilliant, and intim... Fifty Shades of Grey Erotic, amusing, and deeply moving, the Fifty Shades Trilogy is a tale that will obsess you, possess you, and stay with you forever. Merchandise. Shop ... Fifty Shades of Grey Series Relive the sensuality, the romance, and the drama of Fifty Shades Freed through the thoughts, reflections, and dreams of Christian Grey. Fifty Shades Trilogy 9780345804044 This boxed set includes the following novels: FIFTY SHADES OF GREY: When college student Anastasia Steele goes to interview young entrepreneur Christian Grey, ... Fifty Shades Of Grey: Book One of the ... Fifty Shades Of Grey: Book One of the Fifty Shades Trilogy (Fifty Shades of Grey Series, 1) [James, E L] on Amazon.com. *FREE* shipping on qualifying offers ...