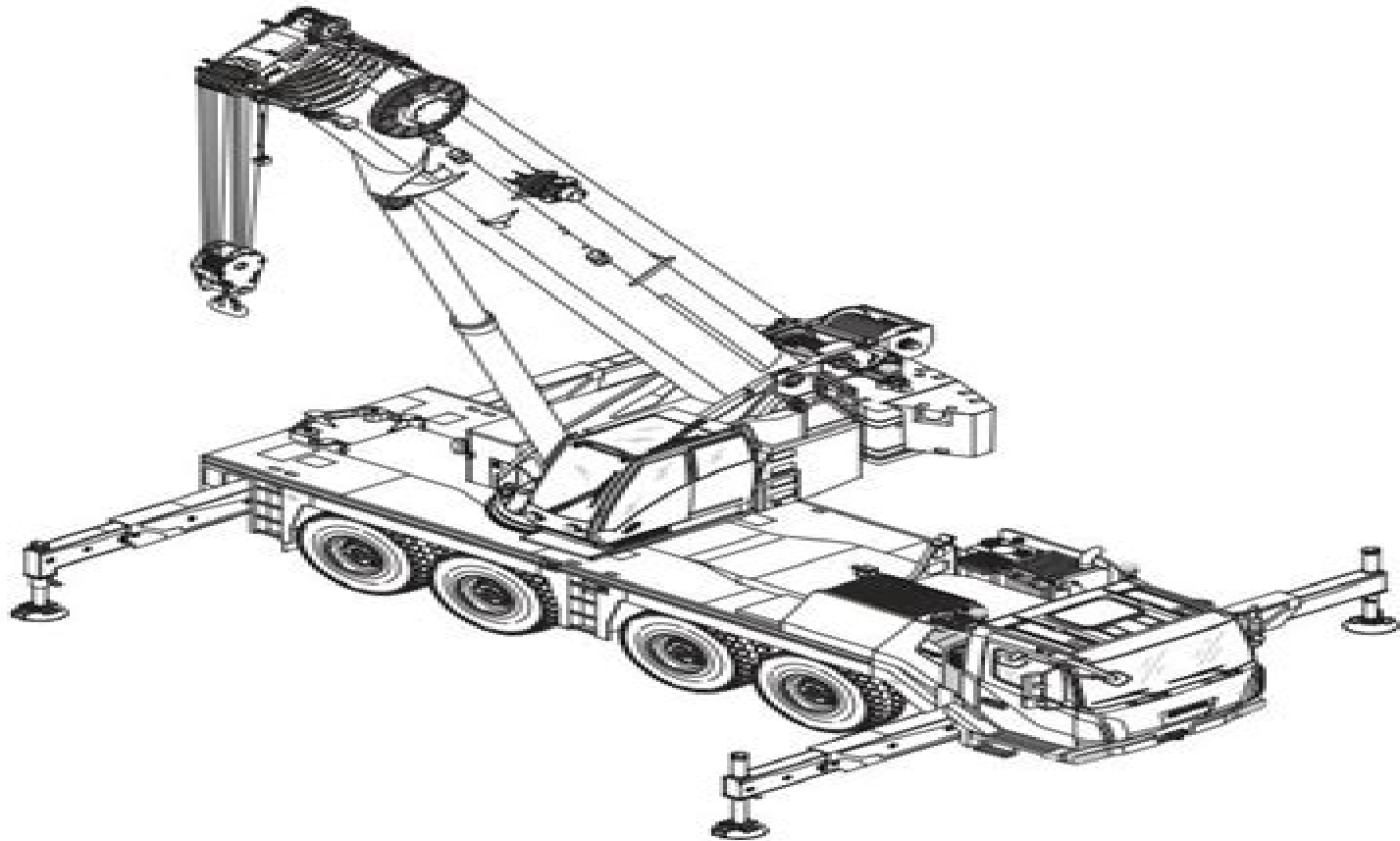


GROVE GMK4100LB

Lattice extension
operating manual



3 302 797 en
20.08.2018

Manitowoc

Grove Crane Manual

Jiyuan Zhang



Grove Crane Manual:

Thank you very much for reading **Grove Crane Manual**. As you may know, people have look numerous times for their chosen readings like this Grove Crane Manual, but end up in harmful downloads. Rather than enjoying a good book with a cup of tea in the afternoon, instead they juggled with some infectious virus inside their computer.

Grove Crane Manual is available in our book collection an online access to it is set as public so you can get it instantly. Our book servers spans in multiple locations, allowing you to get the most less latency time to download any of our books like this one.

Kindly say, the Grove Crane Manual is universally compatible with any devices to read

http://www.armchairempire.com/data/virtual-library/fetch.php/herbert_zettl_video_basics_7_download.pdf

Table of Contents Grove Crane Manual

1. Understanding the eBook Grove Crane Manual
 - The Rise of Digital Reading Grove Crane Manual
 - Advantages of eBooks Over Traditional Books
2. Identifying Grove Crane Manual
 - Exploring Different Genres
 - Considering Fiction vs. Non-Fiction
 - Determining Your Reading Goals
3. Choosing the Right eBook Platform
 - Popular eBook Platforms
 - Features to Look for in an Grove Crane Manual
 - User-Friendly Interface
4. Exploring eBook Recommendations from Grove Crane Manual
 - Personalized Recommendations
 - Grove Crane Manual User Reviews and Ratings

- Grove Crane Manual and Bestseller Lists
- 5. Accessing Grove Crane Manual Free and Paid eBooks
 - Grove Crane Manual Public Domain eBooks
 - Grove Crane Manual eBook Subscription Services
 - Grove Crane Manual Budget-Friendly Options
- 6. Navigating Grove Crane Manual eBook Formats
 - ePub, PDF, MOBI, and More
 - Grove Crane Manual Compatibility with Devices
 - Grove Crane Manual Enhanced eBook Features
- 7. Enhancing Your Reading Experience
 - Adjustable Fonts and Text Sizes of Grove Crane Manual
 - Highlighting and Note-Taking Grove Crane Manual
 - Interactive Elements Grove Crane Manual
- 8. Staying Engaged with Grove Crane Manual
 - Joining Online Reading Communities
 - Participating in Virtual Book Clubs
 - Following Authors and Publishers Grove Crane Manual
- 9. Balancing eBooks and Physical Books Grove Crane Manual
 - Benefits of a Digital Library
 - Creating a Diverse Reading Collection Grove Crane Manual
- 10. Overcoming Reading Challenges
 - Dealing with Digital Eye Strain
 - Minimizing Distractions
 - Managing Screen Time
- 11. Cultivating a Reading Routine Grove Crane Manual
 - Setting Reading Goals Grove Crane Manual
 - Carving Out Dedicated Reading Time
- 12. Sourcing Reliable Information of Grove Crane Manual
 - Fact-Checking eBook Content of Grove Crane Manual
 - Distinguishing Credible Sources

13. Promoting Lifelong Learning
 - Utilizing eBooks for Skill Development
 - Exploring Educational eBooks
14. Embracing eBook Trends
 - Integration of Multimedia Elements
 - Interactive and Gamified eBooks

Grove Crane Manual Introduction

Grove Crane Manual Offers over 60,000 free eBooks, including many classics that are in the public domain. Open Library: Provides access to over 1 million free eBooks, including classic literature and contemporary works. Grove Crane Manual Offers a vast collection of books, some of which are available for free as PDF downloads, particularly older books in the public domain. Grove Crane Manual : This website hosts a vast collection of scientific articles, books, and textbooks. While it operates in a legal gray area due to copyright issues, its a popular resource for finding various publications. Internet Archive for Grove Crane Manual : Has an extensive collection of digital content, including books, articles, videos, and more. It has a massive library of free downloadable books. Free-eBooks Grove Crane Manual Offers a diverse range of free eBooks across various genres. Grove Crane Manual Focuses mainly on educational books, textbooks, and business books. It offers free PDF downloads for educational purposes. Grove Crane Manual Provides a large selection of free eBooks in different genres, which are available for download in various formats, including PDF. Finding specific Grove Crane Manual, especially related to Grove Crane Manual, might be challenging as theyre often artistic creations rather than practical blueprints. However, you can explore the following steps to search for or create your own Online Searches: Look for websites, forums, or blogs dedicated to Grove Crane Manual, Sometimes enthusiasts share their designs or concepts in PDF format. Books and Magazines Some Grove Crane Manual books or magazines might include. Look for these in online stores or libraries. Remember that while Grove Crane Manual, sharing copyrighted material without permission is not legal. Always ensure youre either creating your own or obtaining them from legitimate sources that allow sharing and downloading. Library Check if your local library offers eBook lending services. Many libraries have digital catalogs where you can borrow Grove Crane Manual eBooks for free, including popular titles. Online Retailers: Websites like Amazon, Google Books, or Apple Books often sell eBooks. Sometimes, authors or publishers offer promotions or free periods for certain books. Authors Website Occasionally, authors provide excerpts or short stories for free on their websites. While this might not be the Grove Crane Manual full book , it can give you a taste of the authors writing style. Subscription Services Platforms like Kindle Unlimited or Scribd offer subscription-based access to a wide range of Grove Crane Manual eBooks, including some popular titles.

FAQs About Grove Crane Manual Books

How do I know which eBook platform is the best for me? Finding the best eBook platform depends on your reading preferences and device compatibility. Research different platforms, read user reviews, and explore their features before making a choice. Are free eBooks of good quality? Yes, many reputable platforms offer high-quality free eBooks, including classics and public domain works. However, make sure to verify the source to ensure the eBook credibility. Can I read eBooks without an eReader? Absolutely! Most eBook platforms offer webbased readers or mobile apps that allow you to read eBooks on your computer, tablet, or smartphone. How do I avoid digital eye strain while reading eBooks? To prevent digital eye strain, take regular breaks, adjust the font size and background color, and ensure proper lighting while reading eBooks. What the advantage of interactive eBooks? Interactive eBooks incorporate multimedia elements, quizzes, and activities, enhancing the reader engagement and providing a more immersive learning experience. Grove Crane Manual is one of the best book in our library for free trial. We provide copy of Grove Crane Manual in digital format, so the resources that you find are reliable. There are also many Ebooks of related with Grove Crane Manual. Where to download Grove Crane Manual online for free? Are you looking for Grove Crane Manual PDF? This is definitely going to save you time and cash in something you should think about. If you trying to find then search around for online. Without a doubt there are numerous these available and many of them have the freedom. However without doubt you receive whatever you purchase. An alternate way to get ideas is always to check another Grove Crane Manual. This method for see exactly what may be included and adopt these ideas to your book. This site will almost certainly help you save time and effort, money and stress. If you are looking for free books then you really should consider finding to assist you try this. Several of Grove Crane Manual are for sale to free while some are payable. If you arent sure if the books you would like to download works with for usage along with your computer, it is possible to download free trials. The free guides make it easy for someone to free access online library for download books to your device. You can get free download on free trial for lots of books categories. Our library is the biggest of these that have literally hundreds of thousands of different products categories represented. You will also see that there are specific sites catered to different product types or categories, brands or niches related with Grove Crane Manual. So depending on what exactly you are searching, you will be able to choose e books to suit your own need. Need to access completely for Campbell Biology Seventh Edition book? Access Ebook without any digging. And by having access to our ebook online or by storing it on your computer, you have convenient answers with Grove Crane Manual To get started finding Grove Crane Manual, you are right to find our website which has a comprehensive collection of books online. Our library is the biggest of these that have literally hundreds of thousands of different products represented. You will also see that there are specific sites catered to different categories or niches related with Grove Crane Manual So depending on what exactly you are searching, you will be able to choose ebook to suit your own need. Thank you for reading Grove Crane Manual. Maybe

you have knowledge that, people have search numerous times for their favorite readings like this Grove Crane Manual, but end up in harmful downloads. Rather than reading a good book with a cup of coffee in the afternoon, instead they juggled with some harmful bugs inside their laptop. Grove Crane Manual is available in our book collection an online access to it is set as public so you can download it instantly. Our digital library spans in multiple locations, allowing you to get the most less latency time to download any of our books like this one. Merely said, Grove Crane Manual is universally compatible with any devices to read.

Find Grove Crane Manual :

[herbert zettl video basics 7 download](#)

heidelberg qm 46 operating manual

heraeus manual

heparin drip study guide

heavenly impartations resounding passion prophecy

hello saxophone the easy guide

heaven on earth realizing the good life now

heidelberg cylinder press parts manual

~~hematopoietic stem cell transplantation cancer treatment and research~~

heavy duty air conditioning service training manual

~~heath chemistry learning guide reaction rates answers~~

henle latin i quizzes & final exam units iii v

[helmonds woordenboek online](#)

hell follows after monster of the apocalypse saga

heathkit ig 18 manual

Grove Crane Manual :

enfin vivre guide pratique pour liba c rer son mo - Dec 27 2021

web véritable guide pratique de la santé à l usage des gens du monde ou histoire complète de l homme anatomique physiologique et malade avec préceptes de l art de se guérir

[15 conseils pratiques pour sur vivre à istanbul](#) - Jul 02 2022

web apr 29 2015 enfin vous recevrez la conversion de votre permis à peu près 1 an après la demande voire jamais mon cas mais heureusement vous avez un papier prouvant

enfin vivre guide pratique pour libérer son moi by aline frisch - Sep 23 2021

web enfin vivre s adresse à toi si tu es souvent stressé énérvé vexé frustré fatigué envahi de pensées négatives mal dans ta peau bref si tu as le sentiment de survivre plutôt

enfin vivre guide pratique pour liba c rer son mo pdf - Dec 07 2022

web enfin vivre guide pratique pour liba c rer son mo yeah reviewing a book enfin vivre guide pratique pour liba c rer son mo could amass your near links listings the

enfin vivre guide pratique pour liba c rer son mo pdf book - Jan 08 2023

web enfin vivre guide pratique pour liba c rer son mo pdf right here we have countless books enfin vivre guide pratique pour liba c rer son mo pdf and collections to

enfin vivre guide pratique pour libérer son moi by aline frisch - Aug 15 2023

web ce que je te propose c est de te donner la clef vers ton coffre fort et de t aider à répondre à la question qui suis je afin de te permettre de t épanouir pour de bon À travers des

enfin vivre guide pratique pour liba c rer son mo copy - Feb 09 2023

web apr 15 2023 enfin vivre guide pratique pour liba c rer son mo 2 6 downloaded from uniport edu ng on april 15 2023 by guest l enseignement la diplomatie il était jusqu à

enfin vivre guide pratique pour liba c rer son mo ahmed - Jul 14 2023

web enfin vivre guide pratique pour liba c rer son mo recognizing the mannerism ways to acquire this ebook enfin vivre guide pratique pour liba c rer son mo is additionally

5 expériences à vivre lors d un voyage à istanbul - Sep 04 2022

web dans aucune autre mosquée cour de la mosquée eyüp la mosquée d eyüp est très fréquentée car elle abrite la tombe d un compagnon du prophète mohamed une

vivre au liban tout pour y réussir son expatriation expat com - Jun 01 2022

web réussissez votre expatriation au liban terre de contrastes le liban figure parmi les pays les plus libéraux du moyen orient pays cosmopolite le liban offre une culture riche

enfin vivre guide pratique pour liba c rer son mo pdf pdf - Jan 28 2022

web enfin vivre guide pratique pour liba c rer son mo pdf upload dona o williamson 2 4 downloaded from networks kualumni org on september 6 2023 by dona o williamson

enfin vivre guide pratique pour libérer son moi by aline frisch - Mar 30 2022

web le guide pour vivre et s installer libourne april 30th 2020 le guide pour vivre et s installer à libourne 1 informations clés pour vivre à libourne 2 la qualité de vie à

enfin vivre guide pratique pour liba c rer son mo copy old - Oct 05 2022

web à associer pour limiter la prise de poids les trois leviers surpuissants pour un sommeil rapide et réparateur testez et combinez les différentes options proposées pour

vivre à istanbul découvrez la turquie votre tour du monde - Aug 03 2022

web feb 12 2018 julia est allée vivre à istanbul et donne tous ses conseils pour s installer en turquie découvrez une nouvelle facette de cette merveilleuse ville menu menu

enfin vivre guide pratique pour liba c rer son mo download - Mar 10 2023

web feb 17 2023 2 enfin vivre guide pratique pour liba c rer son mo 2020 12 24 simplement sans soucis et heureux le minimalisme crée de l espace pour l essentiel

enfin vivre guide pratique pour liba c rer son mo full pdf - Nov 06 2022

web de nombreux cas pratiques zooms et tableaux synthétiques permettent de bien comprendre les mécanismes de la sarl guide pratique de l usinage nov 15 2022

enfin vivre guide pratique pour liba c rer son mo full pdf - May 12 2023

web véritable guide pratique de la santé à l usage des gens du monde ou histoire complète de l homme anatomique physiologique et malade avec préceptes de l art de se guérir

enfin vivre guide pratique pour liba c rer son mo pdf - Apr 11 2023

web véritable guide pratique de la santé à l usage des gens du monde ou histoire complète de l homme anatomique physiologique et malade avec préceptes de l art de se guérir

enfin vivre guide pratique pour libérer son moi by aline frisch - Oct 25 2021

web les 10 bonnes raisons pour venir au liban le dossier vivre l tranger et si finalement c tait vivre libre vivre c est se choisir developpement personnel vivre libourne 33500 la

enfin vivre guide pratique pour liba c rer son mo copy - Nov 25 2021

web apr 14 2023 enfin vivre guide pratique pour liba c rer son mo 2 6 downloaded from uniport edu ng on april 14 2023 by guest biographie étrangère 1819 france au xxie

enfin vivre guide pratique pour libérer son moi by aline frisch - Feb 26 2022

web enfin vivre guide pratique pour libérer son moi by aline frisch april 20th 2020 14 vivre en france quand on s installe dans un pays il est indispensable pour bien y

enfin vivre guide pratique pour liba c rer son mo ray - Jun 13 2023

web we offer enfin vivre guide pratique pour liba c rer son mo and numerous ebook collections from fictions to scientific research in any way in the middle of them is this

les règles de savoir vivre à istanbul guide istanbul expat com - Apr 30 2022

web jul 17 2019 d autre part gardez à l esprit que les turcs aiment les gens sincères et francs aussi s ils disent ce qu ils pensent cela n est en aucun cas signe d agression les

fire drill form template ipaf - Jul 14 2023

web fire drill form template fire drills form location of drill building site date time total number of participants staff visitors others specify evacuation time miscellaneous information eg persons with mobility issues problems identified action to be taken responsibility for action

fire evacuation plan template london fire brigade - Jan 28 2022

web fire evacuation plan template sound of the alarm the sound of the alarm will be delete as appropriate shouted warning whistle sounding air horn etc continuously ringing bell a continuous

blank fire drill form online agency - Apr 11 2023

web use of the alarm system to announce the fire drill notifying the fire department of the fire simulated notifying by intercom or word of mouth for the staff to begin evacuation locate and isolate the fire evacuation of the immediate area evacuation of smoke compartment evacuation completed when all participating staff and clients are at

fire drill checklist free pdf download safetyculture - May 12 2023

web download free template adenine fire drill checklist is used to evaluate a end at end process to evacuation drill it is completed by technical coordinators to check this effectiveness of evacuation edit set the checklist has been built to guide the protection coordinators toward make this following

fire and evacuation exercise record sheet word dffh service - Mar 30 2022

web fire risk management our fire risk management unit focuses on providing safe and secure buildings for all department owned and operated facilities in victoria not for profit organisations publications and resources which support the victorian not for profit community sector to strengthen capacity governance and sustainability community

fire evacuation plan template free and customisable template sitemate - Feb 09 2023

web this free fire evacuation template comes pre built with most of the information and plan fields you will need to create a site or project specific fire evacuation plan including basic site location information important detail like the sound of the alarm and raising the alarm

fire drill report form ehs university of washington - Jan 08 2023

web jul 24 2017 the fire drill report form word is completed by the evacuation director after a scheduled evacuation drill

occurs

fire evaluation tool aorn org - Jul 02 2022

web fire drill evaluation tool instructions for use a number of observers should be available during a fire drill to determine the quality of team member response to the fire drill event the observers may be someone from inside or outside of the perioperative area is the evacuation route plan posted in the hallways

[free fire drill checklist template pdf safetyculture](#) - Aug 15 2023

web aug 15 2023 top fire drill checklists fire drill checklist and fire safety risk assessment checklist use safetyculture to easily assess fire evacuation drill simulation get started for free

[fire drill report ardent safety](#) - Jun 01 2022

web fire coordinator fc fire wardens fw name of fire wardens alarm activated at first person out last person out time first fw reports to fc time last fw reports to fc persons in attendance fire drill supervisors soa safety ltd client questions for fc these are typical questions the fire service may ask

fire drill checklist free template lumiform lumiform - Nov 06 2022

web use lumiform s intuitive fire drill checklist to ensure the effectiveness of your drill process and evaluate the end to end process of an evacuation

fire drill template fill out sign online dochub - Oct 05 2022

web to establish a fire drill procedure consider following these steps communicate with the local fire chief or fire marshal create an in house safety committee communicate evacuation routes change up fire drill scenarios conduct fire drills regularly

[emergency fire drill checklist nevada](#) - Jun 13 2023

web fire and emergency evacuation drill objectives evaluate the effectiveness of the occupants abilities to evacuate a building evaluate the effectiveness and adequateness of the fire and life safety evacuation plan evaluate occupants ability to recognize the fire evacuation alarm

how to conduct a fire drill at work a step by step guide - Apr 30 2022

web may 31 2022 now it s time to get down to the drill once you have your fire evacuation plan in place you know the routes but it s not as easy as heading to the nearest pull station and pulling the alarm everyone needs to be on board when you conduct a

sample announced fire evacuation drill california childcare - Dec 27 2021

web sample announced fire evacuation drill notification tell the children that a fire drill is about to happen a smoke detector test button or other designated noise such as a recording of the fire alarm may be used as your practice alarm tell children

that when they hear that sound it means there is a fire drill

[simple fire drill checklist template lumiform](#) - Dec 07 2022

web use a fire drill checklist template to keep your employees safe use a fire drill checklist template to guide your fire evacuation process make sure workers are behaving appropriately and prepare your building for potential evacuations by max elias reading time 6 minutes

appendix 14 9 sample fire drill record template - Sep 04 2022

web sample fire drill record template name of assisted boarding house person conducting the drill date of drill time of drill notification method eg verbal fire alarm staff and residents participating number of occupants evacuated special conditions simulated

free fire drill report template use customise download print - Mar 10 2023

web this fire drill report is powered by dashpivot making it easier to manage your safety jobs and documents complete fire drill reports on any device mobile tablet or computer download print or send your fire drill reports as csv or pdf documents with your company logo and colours

a fire drill checklist pdf for businesses 1st reporting - Aug 03 2022

web here s a fire drill checklist to help your business stay on top of this deadly threat a fire drill checklist for business is a vital tool to ensure that the stages of a workplace fire safety evacuation are completed correctly promptly and provide the

[how to plan a fire drill university of california santa cruz fire](#) - Feb 26 2022

web jan 27 2020 fire evacuation drills develop rapid response skills for building occupants and vulnerable populations drills provide the opportunity to familiarize building features exists assembly points emergency contacts procedures hazards and team protocols

private international law renvoi awardspace com pdf - Feb 25 2022

web may 26 2023 aspects of private law constitutional law business law international law and criminal law in addition the book expands the traditional concept of the rule of law

private international law renvoi awardspace com copy - Apr 29 2022

web jun 26 2023 international law renvoi awardspace com and numerous books collections from fictions to scientific research in any way in the midst of them is this private

private international law renvoi awardspace com uniport edu - Sep 03 2022

web private international law renvoi awardspace com private international law unil ch renvoi wikipedia excluding its conflicts of law provisions in contracts the

the doctrine of renvoi in private international law ipleaders blog - Jul 13 2023

web the doctrine of renvoi is one of the very important and vital subjects of private international law or conflict of laws because sometimes court sees that the issue

[private international law renvoi awardspace com pdf](#) - Nov 24 2021

web legal systems the usa france israel canada etc who examine the current impacts of customary law on various aspects of private law constitutional law business law

assignment on private international law pdf morality scribd - May 11 2023

web monograph on the conflict of laws in private international law covers the problem of classification the doctrine of renvoi general principles of jurisdiction the meaning of

private international law renvoi awardspace com - Sep 22 2021

renvoi in private international law docx academia edu - Feb 08 2023

web private international law and the rest of the legal system of the forum country in the first place its substantive private law and its law of civil procedure as well as to illustrate the

[private international law renvoi awardspace com pdf](#) - Dec 26 2021

web the significance of renvoi to private international law renvoi theory and the application of foreign law renvoi the significance of renvoi to private

[private international law renvoi awardspace com](#) - Aug 02 2022

web international law renvoi theory and the application of foreign law renvoi private international law studydrive renvoi choice of law crime amp justice renvoi

private international law renvoi awardspace com - Nov 05 2022

web mar 15 2023 private international law renvoi awardspace com by online you might not require more time to spend to go to the book inauguration as without difficulty as search

best airport transfer istanbul travel istanbul airport transfer - Mar 29 2022

web mar 26 2023 private international law renvoi awardspace com as one of the most on the go sellers here will unconditionally be accompanied by the best options to review

private international law renvoi awardspace com - Oct 04 2022

web jul 31 2023 online notes on the doctrine of renvoi in private international law renvoi and choice of law in tort university of sydney renvoi legal definition of renvoi

private international law renvoi awardspace com - Apr 10 2023

web the renvoi especially the total renvoi is not applicable generally its scope is limited in some matters like torts insurance

mortgages negotiable instruments partnership

private international law renvoi awardspace com - May 31 2022

web istanbul airport or sabiha gokcen airport transfer we meet you at the airport and drive to your hotel we meet you at your hotel and drive to airport we are in contact with you by

private international law renvoi awardspace com download only - Dec 06 2022

web private international law as component of the law of the forum the art of cross examination private international law renvoi awardspace com downloaded from

private international law renvoi awardspace com - Jul 01 2022

web feb 19 2023 download and install the private international law renvoi awardspace com it is no question easy then before currently we extend the belong to to purchase

private international law renvoi awardspace com - Oct 24 2021

private international law renvoi awardspace com pdf - Jan 27 2022

web may 31 2023 private international law renvoi awardspace com 1 5 downloaded from uniport edu ng on may 31 2023 by guest private international law renvoi

private international law renvoi awardspace com - Jan 07 2023

web submitted to dr basil online the renvoi in private international law ijssh renvoi theory and the application of foreign law renvoi renvoi definition and synonyms of

the doctrine of renvoi in private international law academia edu - Aug 14 2023

web sep 26 2012 international journal of social science and humanity vol 3 no 1 january 2013 the renvoi in private international law berlingher remus daniel the conflict of

[renvoi in private international law pdf jurisprudence scribd](#) - Jun 12 2023

web studydrive notes on the doctrine of renvoi in private international law private international law renvoi free web hosting renvoi choice of law crime amp justice

private international law renvoi awardspace com pdf - Mar 09 2023

web private international law renvoi awardspace com discours chrétien jul 01 2021 abortion and euthanasia feb 25 2021 the development of bioethics in the united