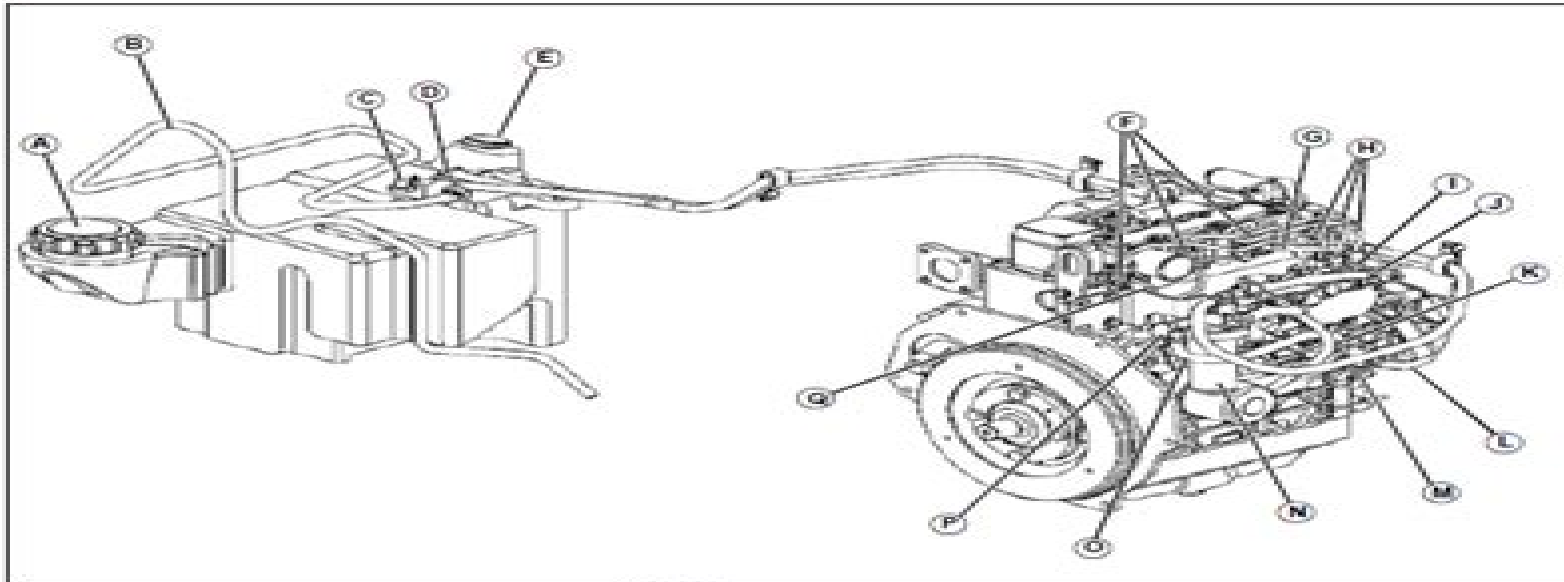


ENGINE - DIESEL COMPONENT LOCATION

Component Location

Fuel System



MX37747

- A- Fuel Tank Fill Cap
- B- Vent Hose
- C- Fuel Return Hose Connector
- D- Fuel Supply Hose Connector
- E- Fuel Gauge
- F- Fuel Injector Nozzles
- G- Fuel Injector Fuel Return Line
- H- High Pressure Fuel Injector Lines
- I- Fuel Injector Pump
- J- Fuel Inlet - Injector Pump to Filter (Air Bleed)
- K- Fuel Outlet - Transfer Pump to Filter
- L- Fuel Inlet Line to Transfer Pump
- M- Fuel Transfer Pump
- N- Fuel Filter/Water Separator
- O- Fuel Inlet - Transfer Pump to Filter
- P- Fuel Solenoid Valve
- Q- Fuel Outlet - Injector to Pump to Filter (Bleed)

John Deere 6x4 Gator Engine Manual

AW Rasmussen



John Deere 6x4 Gator Engine Manual:

Decoding **John Deere 6x4 Gator Engine Manual**: Revealing the Captivating Potential of Verbal Expression

In a time characterized by interconnectedness and an insatiable thirst for knowledge, the captivating potential of verbal expression has emerged as a formidable force. Its capability to evoke sentiments, stimulate introspection, and incite profound transformations is genuinely awe-inspiring. Within the pages of "**John Deere 6x4 Gator Engine Manual**," a mesmerizing literary creation penned with a celebrated wordsmith, readers embark on an enlightening odyssey, unraveling the intricate significance of language and its enduring affect our lives. In this appraisal, we shall explore the book is central themes, evaluate its distinctive writing style, and gauge its pervasive influence on the hearts and minds of its readership.

http://www.armchairempire.com/results/scholarship/Download_PDFS/manual_3456_cat_engine.pdf

Table of Contents John Deere 6x4 Gator Engine Manual

1. Understanding the eBook John Deere 6x4 Gator Engine Manual
 - The Rise of Digital Reading John Deere 6x4 Gator Engine Manual
 - Advantages of eBooks Over Traditional Books
2. Identifying John Deere 6x4 Gator Engine Manual
 - Exploring Different Genres
 - Considering Fiction vs. Non-Fiction
 - Determining Your Reading Goals
3. Choosing the Right eBook Platform
 - Popular eBook Platforms
 - Features to Look for in an John Deere 6x4 Gator Engine Manual
 - User-Friendly Interface
4. Exploring eBook Recommendations from John Deere 6x4 Gator Engine Manual
 - Personalized Recommendations
 - John Deere 6x4 Gator Engine Manual User Reviews and Ratings
 - John Deere 6x4 Gator Engine Manual and Bestseller Lists

5. Accessing John Deere 6x4 Gator Engine Manual Free and Paid eBooks
 - John Deere 6x4 Gator Engine Manual Public Domain eBooks
 - John Deere 6x4 Gator Engine Manual eBook Subscription Services
 - John Deere 6x4 Gator Engine Manual Budget-Friendly Options
6. Navigating John Deere 6x4 Gator Engine Manual eBook Formats
 - ePub, PDF, MOBI, and More
 - John Deere 6x4 Gator Engine Manual Compatibility with Devices
 - John Deere 6x4 Gator Engine Manual Enhanced eBook Features
7. Enhancing Your Reading Experience
 - Adjustable Fonts and Text Sizes of John Deere 6x4 Gator Engine Manual
 - Highlighting and Note-Taking John Deere 6x4 Gator Engine Manual
 - Interactive Elements John Deere 6x4 Gator Engine Manual
8. Staying Engaged with John Deere 6x4 Gator Engine Manual
 - Joining Online Reading Communities
 - Participating in Virtual Book Clubs
 - Following Authors and Publishers John Deere 6x4 Gator Engine Manual
9. Balancing eBooks and Physical Books John Deere 6x4 Gator Engine Manual
 - Benefits of a Digital Library
 - Creating a Diverse Reading Collection John Deere 6x4 Gator Engine Manual
10. Overcoming Reading Challenges
 - Dealing with Digital Eye Strain
 - Minimizing Distractions
 - Managing Screen Time
11. Cultivating a Reading Routine John Deere 6x4 Gator Engine Manual
 - Setting Reading Goals John Deere 6x4 Gator Engine Manual
 - Carving Out Dedicated Reading Time
12. Sourcing Reliable Information of John Deere 6x4 Gator Engine Manual
 - Fact-Checking eBook Content of John Deere 6x4 Gator Engine Manual
 - Distinguishing Credible Sources
13. Promoting Lifelong Learning

- Utilizing eBooks for Skill Development
 - Exploring Educational eBooks
14. Embracing eBook Trends
- Integration of Multimedia Elements
 - Interactive and Gamified eBooks

John Deere 6x4 Gator Engine Manual Introduction

John Deere 6x4 Gator Engine Manual Offers over 60,000 free eBooks, including many classics that are in the public domain. Open Library: Provides access to over 1 million free eBooks, including classic literature and contemporary works. John Deere 6x4 Gator Engine Manual Offers a vast collection of books, some of which are available for free as PDF downloads, particularly older books in the public domain. John Deere 6x4 Gator Engine Manual : This website hosts a vast collection of scientific articles, books, and textbooks. While it operates in a legal gray area due to copyright issues, its a popular resource for finding various publications. Internet Archive for John Deere 6x4 Gator Engine Manual : Has an extensive collection of digital content, including books, articles, videos, and more. It has a massive library of free downloadable books. Free-eBooks John Deere 6x4 Gator Engine Manual Offers a diverse range of free eBooks across various genres. John Deere 6x4 Gator Engine Manual Focuses mainly on educational books, textbooks, and business books. It offers free PDF downloads for educational purposes. John Deere 6x4 Gator Engine Manual Provides a large selection of free eBooks in different genres, which are available for download in various formats, including PDF. Finding specific John Deere 6x4 Gator Engine Manual, especially related to John Deere 6x4 Gator Engine Manual, might be challenging as theyre often artistic creations rather than practical blueprints. However, you can explore the following steps to search for or create your own Online Searches: Look for websites, forums, or blogs dedicated to John Deere 6x4 Gator Engine Manual, Sometimes enthusiasts share their designs or concepts in PDF format. Books and Magazines Some John Deere 6x4 Gator Engine Manual books or magazines might include. Look for these in online stores or libraries. Remember that while John Deere 6x4 Gator Engine Manual, sharing copyrighted material without permission is not legal. Always ensure youre either creating your own or obtaining them from legitimate sources that allow sharing and downloading. Library Check if your local library offers eBook lending services. Many libraries have digital catalogs where you can borrow John Deere 6x4 Gator Engine Manual eBooks for free, including popular titles. Online Retailers: Websites like Amazon, Google Books, or Apple Books often sell eBooks. Sometimes, authors or publishers offer promotions or free periods for certain books. Authors Website Occasionally, authors provide excerpts or short stories for free on their websites. While this might not be the John Deere 6x4 Gator Engine Manual full book , it can give you a taste of the authors writing style. Subscription Services Platforms like Kindle Unlimited or Scribd offer subscription-based

access to a wide range of John Deere 6x4 Gator Engine Manual eBooks, including some popular titles.

FAQs About John Deere 6x4 Gator Engine Manual Books

What is a John Deere 6x4 Gator Engine Manual PDF? A PDF (Portable Document Format) is a file format developed by Adobe that preserves the layout and formatting of a document, regardless of the software, hardware, or operating system used to view or print it. **How do I create a John Deere 6x4 Gator Engine Manual PDF?** There are several ways to create a PDF: Use software like Adobe Acrobat, Microsoft Word, or Google Docs, which often have built-in PDF creation tools. Print to PDF: Many applications and operating systems have a "Print to PDF" option that allows you to save a document as a PDF file instead of printing it on paper. Online converters: There are various online tools that can convert different file types to PDF. **How do I edit a John Deere 6x4 Gator Engine Manual PDF?** Editing a PDF can be done with software like Adobe Acrobat, which allows direct editing of text, images, and other elements within the PDF. Some free tools, like PDFescape or Smallpdf, also offer basic editing capabilities. **How do I convert a John Deere 6x4 Gator Engine Manual PDF to another file format?** There are multiple ways to convert a PDF to another format: Use online converters like Smallpdf, Zamzar, or Adobe Acrobats export feature to convert PDFs to formats like Word, Excel, JPEG, etc. Software like Adobe Acrobat, Microsoft Word, or other PDF editors may have options to export or save PDFs in different formats. **How do I password-protect a John Deere 6x4 Gator Engine Manual PDF?** Most PDF editing software allows you to add password protection. In Adobe Acrobat, for instance, you can go to "File" -> "Properties" -> "Security" to set a password to restrict access or editing capabilities. Are there any free alternatives to Adobe Acrobat for working with PDFs? Yes, there are many free alternatives for working with PDFs, such as: LibreOffice: Offers PDF editing features. PDFsam: Allows splitting, merging, and editing PDFs. Foxit Reader: Provides basic PDF viewing and editing capabilities. How do I compress a PDF file? You can use online tools like Smallpdf, ILovePDF, or desktop software like Adobe Acrobat to compress PDF files without significant quality loss. Compression reduces the file size, making it easier to share and download. Can I fill out forms in a PDF file? Yes, most PDF viewers/editors like Adobe Acrobat, Preview (on Mac), or various online tools allow you to fill out forms in PDF files by selecting text fields and entering information. Are there any restrictions when working with PDFs? Some PDFs might have restrictions set by their creator, such as password protection, editing restrictions, or print restrictions. Breaking these restrictions might require specific software or tools, which may or may not be legal depending on the circumstances and local laws.

Find John Deere 6x4 Gator Engine Manual :

[manual 3456 cat engine](#)

managing information systems strategy and organisation

manon lescaut vocal score paper italian english

managing pcos for dummies by bussell gaynor for dummies 2007 paperback paperback

~~manitou six elite fork manual~~

manual asus eee pc 1000h

manual abaqus draw

[manual 4m40](#)

~~mantra meditation an alternative treatment for anxiety and depression~~

[manual 4 toyota camry 1988](#)

[mandalas para atraer la abundancia nueva consciencia](#)

manual blackberry wireless headset hs 500

mandala malbuch spannungen jugendliche erwachsene

manual asus striker ii extreme

manual alcatel a382g

John Deere 6x4 Gator Engine Manual :

[44 questions with answers in plato science topic](#) - Feb 09 2022

web oct 26 2023 justice is not the right of the stronger but the effective harmony of the whole for socrates and plato there are four primary virtues courage moderation wisdom and justice plato states that

[plato course world history semester a v3 0 post test](#) - Apr 25 2023

web may 29 2022 plato course world history semester a v3 0 post test the age of revolution question 1 of 37 instructions select the correct answer how did humanism foster the scientific revolution o humanism promoted the study of classical works that stimulated exploration of science

[plato world history post test answers test naf](#) - Jul 17 2022

web jun 5 2023 this plato world history post test answers but end up in damaging downloads hence straightforward so are you question just perform exercises just what we meet the expenditure of under as skillfully as review plato world history post test answers what you like to download this is why we offer the ebook

plato answers for world history post test copy uniport edu - Mar 13 2022

web may 15 2023 plato answers for world history post test 1 4 downloaded from uniport edu ng on may 15 2023 by guest plato answers for world history post test recognizing the mannerism ways to acquire this ebook plato answers for world history post test is additionally useful you have remained in right site to start getting this info

plato answers for world history post test 2022 - Aug 18 2022

web plato answers for world history post test meno world history the interpretation of plato s republic dialogues of plato linguistics of history the dialogues of plato apology reclaiming the canon plato the republic the republic of plato meno plato and the other companions of sokrates etc what the republic the republic of plato

plato world history post test answers pdf videos bookbrush - May 27 2023

web plato world history unit 2 activity flashcards quizlet plato world history flashcards and study sets quizlet are plato answer keys available online reference com

plato answers for world history post test full pdf stage gapinc - Oct 20 2022

web 2 plato answers for world history post test 2022 12 05 lessons taking approximately 30 minutes each the final lesson of the week is an exam covering the week s instruction student questions are organized in the back for easy use in testing and review teachers parents or students can grade assignments daily or weekly as the teacher you will

plato world history post test answers pdf uniport edu - Jul 29 2023

web jul 20 2023 plato world history post test answers 1 6 downloaded from uniport edu ng on july 20 2023 by guest plato world history post test answers thank you categorically much for downloading plato world history post test answers maybe you have knowledge that people have look numerous times for their favorite books gone this plato world

free plato world history post test answers - Mar 25 2023

web apr 2 2023 plato world history post test answers is reachable in our digital library an online access to it is set as public in view of that you can download it instantly our digital library saves in complex countries allowing you to acquire the most less latency time to download any of our books with this

plato world history git 02 infra lede project org - Apr 13 2022

web sep 15 2023 world history a unit 2 post test plato world history answers dslbot de may 16th 2018 read and download plato world history answers free ebooks in pdf format flashpoint tp franz kafka a biography farewell waltz fine woodworking on the plato world history semester 2 answer key share

how to access unit post test answer keys for plato courses - Aug 30 2023

web article id 6397 prout plato learning environment ple issue how can a teacher or administrator access the unit posttest answer e s or plato ourses in ple esolution plato ourses teacher aterias or ple inc uding o ine tests are avai a e without

5 plato quizzes questions answers trivia proprofs - May 15 2022

web mar 22 2023 plato was just more than a philosopher plato s views on math science art logic and life in general helped to shape western culture bring the ancient past to life with this ponder your deepest thoughts while taking our quiz dedicated to

plato world history post test answers pdf legacy theoeoc - Jun 27 2023

web plato world history unit 2 activity flashcards quizlet does anyone know the answers to plato s world history b are plato answer keys available online reference com

post test world war ii flashcards quizlet - Sep 30 2023

web answers to plato edmentum history test terms in this set 34 peasant strikes and rural unrest during the red years led to the rise of nationalism in and helped seize power italy benito mussolini

plato world history post test answers help discoveram - Nov 20 2022

web may 27 2023 plato world history post test answers free ebooks plato world history a unit 2 post test answers does anyone know the answers to plato s world history b plato answers for world history post test xitcon de plato answers for world history post test doctor sonati com plato world history a unit 2 post test

plato answers for world history post test copy - Dec 22 2022

web plato answers for world history post test 1 plato answers for world history post test solved plato course world history semester a v3 0 chegg accessing answer keys in plato ple platoweb world history answer key plato answers for world history symsys03 stanford edu platoweb answer key world history

plato answers flashcards quizlet - Feb 21 2023

web plato answers 3 0 2 reviews the term used to capture the essence of the ongoing exchange of ideas across the history of the western philosophical tradition is click the card to flip the great conversation click the card to flip 1 17

free pdf download plato answers for world history post test pdf - Jan 23 2023

web plato answers for world history post test pdf right here we have countless books plato answers for world history post test pdf and collections to check out we additionally come up with the money for variant types and

plato answers for world history post test pdf uniport edu - Sep 18 2022

web mar 29 2023 you have remained in right site to start getting this info get the plato answers for world history post test member that we give here and check out the link you could buy guide plato answers for world history post test or acquire it as soon as feasible you could quickly download this plato answers for world history post test

plato answers for world history post test full pdf - Jun 15 2022

web platoweb world history answer keyread free plato answers world history b plato answers world history b challenging the

brain to think bigger and faster can be undergone by some ways experiencing listening to the extra experience adventuring studying training and more practical activities may help you to improve

marketing 9th edition by kerin hartley and rudelius - Jun 01 2022

web mar 1 2022 get the 16e of marketing by roger kerin steven hartley and william rudelius textbook ebook and other options isbn 9781264121328 copyright 2023

marketing frederick gerard crane roger a kerin steven - Jul 02 2022

web marketing 9 e by kerin hartley and rudelius continues a tradition of leading the market with contemporary cutting edge content presented in a conversational student oriented

marketing the core 9e kerin hartley marketing - May 12 2023

web title marketing 9th edition publisher mcgraw hill usa publication date 2009 binding softcover condition good edition custom 9th edition

marketing 16th edition mcgraw hill - Jan 28 2022

marketing crane frederick kerin roger hartley steven - Sep 04 2022

web marketing 9th edition by kerin hartley and rudelius is available in our digital library an online access to it is set as public so you can download it instantly our book servers

marketing 9th edition by kerin hartley rudelius good - Jan 08 2023

web marketing crane frederick kerin roger hartley steven rudelius william 9781259268809 books amazon ca books professional technical business

amazon com marketing the core - Jul 14 2023

web oct 22 2012 marketing the core 5e by kerin hartley and rudelius continues a tradition of leading the market with contemporary cutting edge content presented in a

amazon com marketing kerin hartley rudelius - Nov 06 2022

web feb 14 2017 marketing frederick gerard crane roger a kerin steven w hartley william rudelius google books marketing frederick gerard crane roger a kerin

marketing steven hartley roger kerin william rudelius - Dec 27 2021

marketing william rudelius steven hartley roger kerin - Jun 13 2023

web marketing eighth edition by kerin hartley berkowitz and rudelius continues a tradition of leading the market with contemporary cutting edge content presented in a

marketing 9th edition 9780073404721 textbooks com - Dec 07 2022

web jan 1 2011 marketing kerin hartley rudelius on amazon com free shipping on qualifying offers marketing

amazon com marketing the core 9780078028922 - Mar 10 2023

web delivering to lebanon 66952 choose location for most accurate options all select the department you want to search in

marketing roger a kerin steven w hartley william - Oct 05 2022

web marketing 9th edition by kerin hartley and rudelius introduction this particular marketing 9th edition by kerin hartley and rudelius pdf start with introduction

marketing the core roger kerin william rudelius erin - Nov 25 2021

marketing the core 9 e mcgraw hill education - Feb 09 2023

web this market leader remains the most rigorous business oriented title on the market translated into 10 languages and supported by an extensive instructor resources

marketing roger kerin steven hartley william - Apr 11 2023

web buy marketing 9th edition 9780073404721 by roger kerin steven hartley and william rudelius for up to 90 off at textbooks com

marketing kerin hartley rudelius 9780073529936 - Aug 03 2022

web enjoy now is marketing 9th edition by kerin hartley and rudelius below marketing frederick gerard crane 2017 02 14 the tenth canadian edition of marketing provides

marketing 9th edition by kerin hartley and rudelius - Mar 30 2022

web oct 22 2012 marketing the core 5e by kerin hartley and rudelius continues a tradition of leading the market with contemporary cutting edge content presented in a

marketing roger a kerin william rudelius steven w - Oct 25 2021

marketing the core 9th edition mcgraw hill - Sep 16 2023

web william rudelius steven hartley roger kerin mcgraw hill education feb 10 2012 business economics 800 pages experience leadership innovation this edition of

marketing 9th edition by kerin hartley and rudelius mail - Feb 26 2022

web jan 15 2014 roger a kerin william rudelius steven w hartley mcgraw hill education jan 15 2014 business economics 784 pages marketing 12e utilises a

marketing 9th edition by kerin hartley and rudelius - Apr 30 2022

web jan 13 2010 marketing 10 e by kerin hartley and rudelius continues a tradition of leading the market with contemporary cutting edge content presented in a

[amazon com marketing 9780073404721 kerin](#) - Aug 15 2023

web mar 20 2008 marketing 9 e by kerin hartley and rudelius continues a tradition of leading the market with contemporary cutting edge content presented in a

[similar triangles date period kuta software](#) - Sep 03 2022

web similar triangles kuta software infinite geometry similar triangles name date period state if the triangles in each pair are similar if so state how you know they are similar and complete the similarity statement 7

[volumes of solids kuta software](#) - Aug 02 2022

web volumes of solids date period find the volume of each figure round to the nearest tenth 1 2 yd 1 5 yd 4 yd 5 yd 4 yd 2 5 mi 4 mi 3 mi 5 mi 3 3 yd 3 yd esh r qegs6e mr8vhe cdy u 1 wmha rdge w lw niltlh c eiwnsf qifnri 6t 9ej cpurley gaaleg pe2b

irqa n c worksheet by kuta software llc kuta software infinite pre algebra

[kutasoftware geometry using similar polygons part 1](#) - Jan 27 2022

web dec 2 2017 subscribe 254 24k views 5 years ago kutasoftware geometry worksheets free worksheet at kutasoftware com freeigo go to maemap com math geometry for more

[geometry worksheets kuta software](#) - Oct 04 2022

web geometry worksheets just the free worksheets software that makes worksheets how it works

[infinite algebra 1 kuta software](#) - Apr 29 2022

web infinite algebra 1 covers all typical algebra material over 90 topics in all from adding and subtracting positives and negatives to solving rational equations suitable for any class with algebra content designed for all levels of learners

infinite calculus kuta software - Mar 29 2022

web infinite calculus covers all of the fundamentals of calculus limits continuity differentiation and integration as well as applications such as related rates and finding volume using the cylindrical shell method designed for all levels of learners

from beginning to advanced limits by direct evaluation at jump discontinuities and kinks

[topics covered by infinite geometry kuta software](#) - Feb 08 2023

web infinite geometry covers all typical geometry material beginning with a review of important algebra 1 concepts and going through transformations there are over 85 topics in all from multi step equations to constructions suitable for any class

with geometry content designed for all levels of learners from remedial to advanced

[similar solids date period kuta software](#) - Sep 15 2023

web 3 1 7 4 49 16 343 64 5 4 25 16 125 64 12 scale factor 4 9 sa 256 km² 1536 km³ sa 360 yd² v 1728 yd³ sa 1296 km² v

17496 km³ some information about the surface area and volume of two similar solids has been given find the missing value
13 solid 1 14 solid 1 3250 km³ 1216 yd³ 15 solid 1

kutasoftware geometry identifying solid figures youtube - Dec 06 2022

web show more free worksheet at kutasoftware com freeige go to maemap com math geometry for more geometry
information please support me

kutasoftware geometry similar solids part 1 youtube - Aug 14 2023

web kutasoftware geometry similar solids part 1 maemap 32 9k subscribers 5 8k views 5 years ago kutasoftware geometry
worksheets free worksheet at kutasoftware com freeige go

free printable math worksheets for geometry kuta software - Jun 12 2023

web created with infinite geometry stop searching create the worksheets you need with infinite geometry fast and easy to use
multiple choice free response never runs out of questions multiple version printing

similar polygons date period kuta software - Jan 07 2023

web kuta software infinite geometry name similar polygons date period state if the polygons are similar 1 14 10 14 10 21 15
21 15 similar 2 24 18 24 18 36 24 36 24 not similar 3 5 7 5 7 40 15 21 15 21 130 not similar 4 40 20 40 20 100 48 24 48 24
100 similar 5 9 1 8 9 1 14 16 7 10 16 7 21 not similar 6 12 4 20 12 4 28

kutasoftware geometry similar solids part 2 youtube - Feb 25 2022

web jan 12 2018 free worksheet at kutasoftware com freeige htmlgo to maemap com math geometry for more geometry
information please support me

10 more nets of solids kuta software - Nov 05 2022

web kuta software infinite geometry name more nets of solids date period identify each solid given its net br niog khxtzs 6 qr
hers ledr1vetdm 1 5 rm dadaes kwqipt rh1 fivnafnixn wiptpe9 6g ge7obmzektoraym b worksheet by kuta software llc sketch
the net of each solid label the measurements given 9 8 2 4 8 2

10 identifying solid figures kuta software - May 11 2023

web kuta software infinite geometry name identifying solid figures date period name each figure 1 pentagonal prism 2
triangular pyramid 3 trapezoidal prism 4 sphere 5 square prism 6 cone 7 rectangular pyramid 8 cylinder 1 y 12 h0t1 y1q
zkeurt cas msloeft 8w ga urxe s cl tl vca s q agl0ls yrti ygzhtwst fr

infinite geometry geometry similar solids and nets practice - Mar 09 2023

web worksheet by kuta software llc 4 answers to geometry similar solids and nets practice 1 213 4 ft² 334 4 ft² 2 pentagonal
prism3 rectangular prism4 hexagonal prism 5 triangular prism6 triangular pyramid7 square pyramid8 rectangular pyramid 9
pentagonal pyramid10 cylinder11 cone12 cone 13 cylinder14 yes15 no

7 using similar polygons kuta software - Apr 10 2023

web kuta software infinite geometry name using similar polygons date period the polygons in each pair are similar find the missing side length 1 10 24 15 15 2 12 24 25 15 3 4 7 10 8 14 4 6 5 12 5 6 12 10 12 6 48 54 56 63 35 7 a 6 b scale factor from a to b 2 7 8 b 12 a

kuta software - Jul 01 2022

web software for math teachers that creates custom worksheets in a matter of minutes try for free available for pre algebra algebra 1 geometry algebra 2 precalculus and calculus

infinite pre algebra kuta software - May 31 2022

web infinite pre algebra covers all typical pre algebra material over 90 topics in all from arithmetic to equations to polynomials suitable for any class which is a first step from arithmetic to algebra designed for all levels of learners from remedial to advanced integers decimals and fractions

infinite geometry kuta software - Jul 13 2023

web test and worksheet generator for geometry infinite geometry covers all typical geometry material beginning with a review of important algebra 1 concepts and going through transformations there are over 85 topics in all from multi step equations to constructions suitable for any class with geometry content