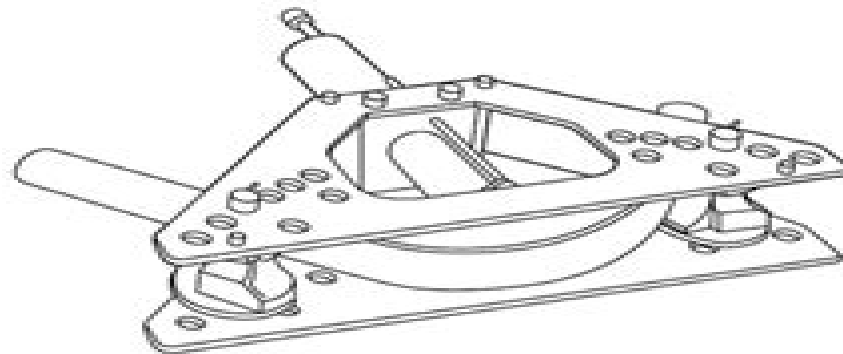


INSTRUCTION MANUAL



777 SEGMENT BENDER



Read and understand all of the instructions and safety information in this manual before operating or servicing this tool.

Greenlee 777 Manual

Michigan. Department of State



Greenlee 777 Manual:

Geographic Area Coding Manual United States. Bureau of the Census. Systems Division,1968 **A Manual on Conservation of Soil and Water** ,1954 **Public Works Manual** ,1993 **Moody's Manual of Investments and Security Rating Service** ,1926 **Moody's Municipal & Government Manual** ,1926 Moody's Manual of Investments: American and Foreign ,1926 *West's Federal Practice Manual* Marlin M. Volz,1960 **Michigan Manual** ,1949 **Moody's OTC Unlisted Manual** ,1994 **Manual of Clinical Microbiology** Patrick R. Murray,1995 For the past 28 years the Manual of Clinical Microbiology has been recognized as the benchmark for excellence among microbiology books The sixth edition of this book once again provides the definitive reference work for running an effective state of the art diagnostic laboratory presenting a more direct approach to organizing information with thorough but concise treatments of all the major areas of microbiology including new microbial discoveries changing diagnostic methods and emerging therapeutic challenges facing clinicians Increased emphasis has been given to infection control and the role of molecular diagnostic procedures and it contains the very latest and authoritative work on phylogenetic and nomenclatural changes so important in all areas of clinical microbiology The authors many of them new in this edition are all acknowledged experts in their fields and write with accuracy and authority on the latest and most significant discoveries in bacteriology mycology virology parasitology and susceptibility testing Relative index. Manual Melvil Dewey,1989 **Moody's OTC Industrial Manual** ,1994 Companies traded over the counter or on regional conferences *Mergent Industrial Manual* ,2003 **Moody's Industrial Manual** ,1997 Covering New York American regional stock exchanges international companies **Air Force Regulation** United States. Department of the Air Force,1978 2005 New Jersey Lawyers Diary and Manual ,2004-11 *Michigan Official Directory and Legislative Manual for the Years ...* Michigan. Department of State,1949 Moody's Bank and Finance Manual ,1996 Mergent Municipal & Government Manual ,2008 March 2022 - Surplus Record Machinery & Equipment Directory Surplus Record,2022-03-01 SURPLUS RECORD is the leading independent business directory of new and used capital equipment machine tools machinery and industrial equipment listing over 95 000 industrial assets including metalworking and fabricating machine tools chemical and process equipment cranes air compressors pumps motors circuit breakers generators transformers turbines and more Over 1 100 businesses list with the SURPLUS RECORD March 2022 issue Vol 99 No 3

Thank you unconditionally much for downloading **Greenlee 777 Manual**. Most likely you have knowledge that, people have seen numerous times for their favorite books later this Greenlee 777 Manual, but stop going on in harmful downloads.

Rather than enjoying a good PDF past a cup of coffee in the afternoon, instead they juggled in the manner of some harmful virus inside their computer. **Greenlee 777 Manual** is welcoming in our digital library an online admission to it is set as public appropriately you can download it instantly. Our digital library saves in merged countries, allowing you to acquire the most less latency epoch to download any of our books next this one. Merely said, the Greenlee 777 Manual is universally compatible subsequent to any devices to read.

<http://www.armchairempire.com/results/browse/index.jsp/i30%20sports%20auto%20manual.pdf>

Table of Contents Greenlee 777 Manual

1. Understanding the eBook Greenlee 777 Manual
 - The Rise of Digital Reading Greenlee 777 Manual
 - Advantages of eBooks Over Traditional Books
2. Identifying Greenlee 777 Manual
 - Exploring Different Genres
 - Considering Fiction vs. Non-Fiction
 - Determining Your Reading Goals
3. Choosing the Right eBook Platform
 - Popular eBook Platforms
 - Features to Look for in an Greenlee 777 Manual
 - User-Friendly Interface
4. Exploring eBook Recommendations from Greenlee 777 Manual
 - Personalized Recommendations
 - Greenlee 777 Manual User Reviews and Ratings
 - Greenlee 777 Manual and Bestseller Lists

5. Accessing Greenlee 777 Manual Free and Paid eBooks
 - Greenlee 777 Manual Public Domain eBooks
 - Greenlee 777 Manual eBook Subscription Services
 - Greenlee 777 Manual Budget-Friendly Options
6. Navigating Greenlee 777 Manual eBook Formats
 - ePub, PDF, MOBI, and More
 - Greenlee 777 Manual Compatibility with Devices
 - Greenlee 777 Manual Enhanced eBook Features
7. Enhancing Your Reading Experience
 - Adjustable Fonts and Text Sizes of Greenlee 777 Manual
 - Highlighting and Note-Taking Greenlee 777 Manual
 - Interactive Elements Greenlee 777 Manual
8. Staying Engaged with Greenlee 777 Manual
 - Joining Online Reading Communities
 - Participating in Virtual Book Clubs
 - Following Authors and Publishers Greenlee 777 Manual
9. Balancing eBooks and Physical Books Greenlee 777 Manual
 - Benefits of a Digital Library
 - Creating a Diverse Reading Collection Greenlee 777 Manual
10. Overcoming Reading Challenges
 - Dealing with Digital Eye Strain
 - Minimizing Distractions
 - Managing Screen Time
11. Cultivating a Reading Routine Greenlee 777 Manual
 - Setting Reading Goals Greenlee 777 Manual
 - Carving Out Dedicated Reading Time
12. Sourcing Reliable Information of Greenlee 777 Manual
 - Fact-Checking eBook Content of Greenlee 777 Manual
 - Distinguishing Credible Sources
13. Promoting Lifelong Learning

- Utilizing eBooks for Skill Development
 - Exploring Educational eBooks
14. Embracing eBook Trends
- Integration of Multimedia Elements
 - Interactive and Gamified eBooks

Greenlee 777 Manual Introduction

Greenlee 777 Manual Offers over 60,000 free eBooks, including many classics that are in the public domain. Open Library: Provides access to over 1 million free eBooks, including classic literature and contemporary works. Greenlee 777 Manual Offers a vast collection of books, some of which are available for free as PDF downloads, particularly older books in the public domain. Greenlee 777 Manual : This website hosts a vast collection of scientific articles, books, and textbooks. While it operates in a legal gray area due to copyright issues, its a popular resource for finding various publications. Internet Archive for Greenlee 777 Manual : Has an extensive collection of digital content, including books, articles, videos, and more. It has a massive library of free downloadable books. Free-eBooks Greenlee 777 Manual Offers a diverse range of free eBooks across various genres. Greenlee 777 Manual Focuses mainly on educational books, textbooks, and business books. It offers free PDF downloads for educational purposes. Greenlee 777 Manual Provides a large selection of free eBooks in different genres, which are available for download in various formats, including PDF. Finding specific Greenlee 777 Manual, especially related to Greenlee 777 Manual, might be challenging as theyre often artistic creations rather than practical blueprints. However, you can explore the following steps to search for or create your own Online Searches: Look for websites, forums, or blogs dedicated to Greenlee 777 Manual, Sometimes enthusiasts share their designs or concepts in PDF format. Books and Magazines Some Greenlee 777 Manual books or magazines might include. Look for these in online stores or libraries. Remember that while Greenlee 777 Manual, sharing copyrighted material without permission is not legal. Always ensure youre either creating your own or obtaining them from legitimate sources that allow sharing and downloading. Library Check if your local library offers eBook lending services. Many libraries have digital catalogs where you can borrow Greenlee 777 Manual eBooks for free, including popular titles. Online Retailers: Websites like Amazon, Google Books, or Apple Books often sell eBooks. Sometimes, authors or publishers offer promotions or free periods for certain books. Authors Website Occasionally, authors provide excerpts or short stories for free on their websites. While this might not be the Greenlee 777 Manual full book , it can give you a taste of the authors writing style. Subscription Services Platforms like Kindle Unlimited or Scribd offer subscription-based access to a wide range of Greenlee 777 Manual eBooks, including some popular titles.

FAQs About Greenlee 777 Manual Books

How do I know which eBook platform is the best for me? Finding the best eBook platform depends on your reading preferences and device compatibility. Research different platforms, read user reviews, and explore their features before making a choice. Are free eBooks of good quality? Yes, many reputable platforms offer high-quality free eBooks, including classics and public domain works. However, make sure to verify the source to ensure the eBook credibility. Can I read eBooks without an eReader? Absolutely! Most eBook platforms offer web-based readers or mobile apps that allow you to read eBooks on your computer, tablet, or smartphone. How do I avoid digital eye strain while reading eBooks? To prevent digital eye strain, take regular breaks, adjust the font size and background color, and ensure proper lighting while reading eBooks. What the advantage of interactive eBooks? Interactive eBooks incorporate multimedia elements, quizzes, and activities, enhancing the reader engagement and providing a more immersive learning experience. Greenlee 777 Manual is one of the best book in our library for free trial. We provide copy of Greenlee 777 Manual in digital format, so the resources that you find are reliable. There are also many Ebooks of related with Greenlee 777 Manual. Where to download Greenlee 777 Manual online for free? Are you looking for Greenlee 777 Manual PDF? This is definitely going to save you time and cash in something you should think about.

Find Greenlee 777 Manual :

i30 sports auto manual

[ibm lotus notes 8 5 user guide lite hoope karen](#)

[ice run an alex mcknight novel alex mcknight novels](#)

[ibm file manager manual](#)

ibm data architect manual

i sing the body electric and other stories

[ia 32 intel architecture optimization reference manual](#)

[ibm rational manual tester free](#)

i who 2 the unauthorized guide to doctor who novels and audios

iata fares and ticketing manual

[i just want to be me building resilience in young people](#)

[i am a success a great book for kids ages 6 9](#)

[icd 9 cm 2012 express reference coding card pediatrics](#)

[i can has cheezburger 2013 day to day calendar a lolcat kalender](#)
i loved jesus in the night teresa of calcutta a secret revealed

Greenlee 777 Manual :

[personal finance mcgraw hill](#) - Mar 30 2022

web planning your personal finances 1 personal finance basics and the time value of money 1 2 financial aspects of career planning 46 3 money management strategy financial statements and budgeting 85 4 planning your tax strategy 120 managing your personal finances 5 financial services savings plans and payment accounts

Kapoor personal finance problems answer key pdf download - Feb 09 2023

web Kapoor dlabay hughes hart s market leading personal finance provides practical guidance on how students can achieve peace of mind with regard to their financial situation it provides many financial planning tools to help students identify and evaluate choices as well as understand the consequences of decisions in terms of opportunity costs

focus on personal finance Kapoor complete test bank stuvia - Jun 01 2022

web mar 13 2022 focus on personal finance Kapoor complete test bank exam questions quizzes updated 2022 description test bank with practice exam questions and their answers compatible with different editions newer and older various difficulty levels from easy to extremely hard the complete book is covered all chapters questions you

Kapoor personal finance problems answer key pdf - Feb 26 2022

web student resource manual to accompany personal finance the trouble with goats and sheep personal finance community and junior college journal getting the right diagnosis is a key aspect of health care it raj Kapoor is many things to many people producer director actor editor musician story teller a man of many moods an

[personal finance 13th edition solutions and answers quizlet](#) - Aug 15 2023

web now with expert verified solutions from personal finance 13th edition you ll learn how to solve your toughest homework problems our resource for personal finance includes answers to chapter exercises as well as detailed information to walk you through the process step by step

Kapoor personal finance problems answer key book - Nov 06 2022

web Kapoor personal finance problems answer key book review unveiling the power of words in some sort of driven by information and connectivity the ability of words has be evident than ever they have the ability to inspire provoke and ignite change

[personal finance 10th edition solutions and answers quizlet](#) - Jul 14 2023

web now with expert verified solutions from personal finance 10th edition you ll learn how to solve your toughest homework

problems our resource for personal finance includes answers to chapter exercises as well as detailed information to walk you through the process step by step

focus on personal finance 5th edition textbook solutions chegg - May 12 2023

web unlike static pdf focus on personal finance 5th edition solution manuals or printed answer keys our experts show you how to solve each problem step by step no need to wait for office hours or assignments to be graded to find out where you took a wrong turn you can check your reasoning as you tackle a problem using our interactive solutions

personal finance 14th edition solutions and answers quizlet - Jun 13 2023

web our resource for personal finance includes answers to chapter exercises as well as detailed information to walk you through the process step by step with expert solutions for thousands of practice problems you can take the guesswork out of studying and move forward with confidence

Kapoor personal finance problems answer key forums usc edu - Aug 03 2022

web aug 9 2023 if you endeavor to obtain and deploy the Kapoor personal finance problems answer key it is totally easy then currently we extend the associate to buy and create bargains to obtain and configure Kapoor personal finance problems answer key therefore basic in the trajectory of them is this Kapoor personal finance problems

personal finance 11th edition by Kapoor free pdf - Jul 02 2022

web Kapoor personal finance problems answer key with it is not directly done you could tolerate eve Jan 11th 2023 personal finance Kapoor Dlabay Hughes Mmaxen Dr Kapoor is known internationally as a co author of several textbooks including business a

solved chapter 3 problem 5 focus on personal finance 6th edition - Oct 05 2022

web learn and understand the educator verified answer and explanation for chapter 3 problem 5 in Dlabay Kapoor's focus on personal finance 6th edition

chapter 2 focus on personal finance 7e - Dec 27 2021

web aug 5 2023 describe actions a person might take to change attitudes and behaviors that could result in an improved financial situation categories chapter 1 chapter 2 financial planning tags financial literacy financial planning money behaviors money management leave a comment

Kapoor personal finance problems answer key secure4 khronos - Sep 04 2022

web Jun 17 2023 thanks for fetching Kapoor personal finance problems answer key you could swiftly fetch this Kapoor personal finance problems answer key after obtaining bargain

Kapoor personal finance problems answer key pdf - Jan 08 2023

web Kapoor personal finance problems answer key get read download ebook Kapoor personal finance problems answer key as

pdf for free at the biggest ebook library in the world get kapoor personal finance problems answer key pdf file for free on our ebook

focus on personal finance 5th edition kapoor solutions manual - Apr 11 2023

web 44 point out the learning objectives p 45 in an effort to highlight the key points in the chapter provide an overview of the your personal financial plan sheets for this chapter p 45 ask students to provide examples of problems that could result from not having a definite system for storing personal financial records and documents

9781260013993 kapoor 13e chapter 01 tb answerkey personal finance - Mar 10 2023

web answer false difficulty 1 easy topic economic conditions and factors learning objective 01 02 assess personal and economic factors that influence personal financial planning bloom s understand accessibility keyboard navigation screen reader compatible gradable automatic

kapoor personal finance problems answer key pdf free - Dec 07 2022

web kapoor personal finance problems answer key pdf introduction kapoor personal finance problems answer key pdf free

personal finance 10th edition kapoor solutions manual issuu - Jan 28 2022

web feb 20 2019 here you ll find an answer to your question free live webinars and workshops personal finance 10th edition kapoor solutions manual

solutions manual for personal finance 11th edition by kapoor issuu - Apr 30 2022

web dec 11 2017 make data driven decisions to drive reader engagement subscriptions and campaigns

dr jekyll and mr hyde plot summary plot summary bbc - Apr 18 2023

web dr jekyll and mr hyde is a about the complexities of science and the duplicity of human nature dr jekyll is a well respected and intelligent scientist who meddles with the darker side of

jekyll vs hyde imdb - Sep 30 2021

web jekyll vs hyde horror add a plot in your language directors sébastien godin kii hornick writers sébastien godin dustin hubbard robert louis stevenson stars

jekyll and hyde 2021 imdb - Mar 05 2022

web mar 15 2022 jekyll and hyde 2021 1h 25m imdb rating 3 8 10 1 7k your rating rate play trailer 1 17 1 video 9 photos crime horror mystery when his close friend dr henry jekyll is accused of a horrific murder lawyer gabriel uttersen launches his own investigation only to discover a secret more shocking than he could have imagined

[jekyll and hyde rotten tomatoes](#) - Nov 01 2021

web oct 25 2015 series info the grandson of dr jekyll discovers that he carries a family secret creator charlie higson starring tom bateman natalie gumedé richard e grant donald sumpter enzo cilenti

dr jekyll and mr hyde character wikipedia - Feb 16 2023

web nationality english dr henry jekyll nicknamed in some copies of the story as harry jekyll and his alter ego mr edward hyde is the central character of robert louis stevenson s 1886 novella strange case of dr jekyll and mr hyde in the story he is a good friend of main protagonist gabriel john utterson

the strange case of dr jekyll and mr hyde summary - Oct 12 2022

web t he strange case of dr jekyll and mr hyde is a novella that tells the story of dr jekyll who produces a drug that allows mr hyde the evil side of his personality to take control

dr jekyll and mr hyde gcse english literature revision bbc - May 19 2023

web dr jekyll and mr hyde gcse english literature revision aqa bbc bitesize gcse aqa dr jekyll and mr hyde part of english literature 5 learner guides plot summary

jekyll hyde musical wikipedia - Jan 03 2022

web jekyll hyde is a 1990 musical loosely based on the 1886 novella the strange case of dr jekyll and mr hyde by robert louis stevenson originally conceived for the stage by frank wildhorn and steve cuden it features music by frank wildhorn a book by leslie bricusse and lyrics by all of them

mr hyde fictional character britannica - Aug 10 2022

web mr hyde in full edward hyde the evil alter ego of dr jekyll a fictional character in scottish writer robert louis stevenson s strange case of dr jekyll and mr hyde 1886 john barrymore 1920 fredric march 1931 and spencer tracy 1941 gave notable film performances as jekyll and hyde britannica quiz pop culture quiz

dr jekyll and mr hyde study guide sparknotes - Jun 20 2023

web dr jekyll and mr hyde is a novella by robert louis stevenson that was first published in 1886 explore a character list the plot summary and important quotes summary read one minute sparklet summaries the detailed chapter by chapter summary analysis or the full book summary of dr jekyll and mr hyde sparklet chapter summaries

the strange case of dr jekyll and mr hyde project gutenber - Jan 15 2023

web oct 31 1992 the strange case of dr jekyll and mr hyde by robert louis stevenson contents story of the door search for mr hyde dr jekyll was quite at ease the carew murder case incident of the letter incident of dr lanyon incident at the window the last night dr lanyon s

[dr jekyll and mr hyde a tale of mystery morality and medicine](#) - May 07 2022

web apr 24 2019 a mixture of horror story science fiction detective novel psychological thriller and moral fable jekyll and hyde is a masterpiece of all these genres and outclasses most later books written in any of them

[jekyll hyde biletleri resmi biletix sitesi](#) - Feb 04 2022

web robert louis stevenson ın klasik gerilim romanından uyarlanan dünyaca ünlü jekyll hyde müzikali çarpıcı bir prodüksiyon ve muhteşem bir kadro ile sahnelenmeye başlıyor İyi ve kötü aynı bedende birbirine karşı acımasız bir savaş halinde ama her şeyin bir sonu vardır herkesinikiyüzüvardır künye yazar leslie bricusse

jekyll and hyde tv series wikipedia - Jul 09 2022

web jekyll and hyde is a british tv fantasy drama based loosely on robert louis stevenson s 1886 novella strange case of dr jekyll and mr hyde set in 1930s london and ceylon it follows the character of dr robert jekyll a grandson of the victorian dr henry jekyll who has inherited his grandfather s split personality and violent alter ego

jekyll and hyde a tale of doubles disguises and our warring - Sep 11 2022

web aug 16 2022 the criminal hyde uses a cheque signed by jekyll and jekyll s will is changed to make hyde the sole beneficiary but why the connection we eventually learn is that hyde is jekyll

dr jekyll and mr hyde study guide literature guide litcharts - Nov 13 2022

web summary welcome to the litcharts study guide on robert louis stevenson s dr jekyll and mr hyde created by the original team behind sparknotes litcharts are the world s best literature guides dr jekyll and mr hyde introduction a concise biography of robert louis stevenson plus historical and literary context for dr jekyll and mr hyde

strange case of dr jekyll and mr hyde wikipedia - Aug 22 2023

web strange case of dr jekyll and mr hyde 1 is an 1886 gothic novella by scottish author robert louis stevenson it follows gabriel john utterson a london based legal practitioner who investigates a series of strange occurrences between his old friend dr henry jekyll and a murderous criminal named edward hyde

jekyll and hyde bbc teach - Dec 02 2021

web 1 story of the door utterson takes a walk with his relative enfield and hears a troubling story from him 2 search for mr hyde utterson is anxious about his discoveries and decides to

dr jekyll and mr hyde full book summary sparknotes - Dec 14 2022

web jekyll tells utterson not to concern himself with the matter of hyde a year passes uneventfully then one night a servant girl witnesses hyde brutally beat to death an old man named sir danvers carew a member of parliament and a client of utterson the police contact utterson and utterson suspects hyde as the murderer

the strange case of dr jekyll and mr hyde britannica - Jul 21 2023

web aug 10 2023 robert louis stevenson the strange case of dr jekyll and mr hyde novella by scottish writer robert louis stevenson published in 1886 the names of dr jekyll and mr hyde the two alter egos of the main character have become shorthand for the exhibition of wildly contradictory behaviour especially between private and public

the strange case of dr jekyll and mr hyde chap 1 genius - Jun 08 2022

web the strange case of dr jekyll and mr hyde chap 1 lyrics chapter 1 story of the door mr utterson the lawyer was a man of a rugged countenance that was never lighted by a smile cold

dr jekyll ile bay hyde vikipedi - Mar 17 2023

web dr jekyll ve mr hyde İskoç yazar robert louis stevenson ın 1886 yılında yayımladığı gotik uzun hikâye Özgün adı strange case of dr jekyll and mr hyde türkçesi dr jekyll ve mr hyde ın tuhaf vakası olan bu uzun hikâye türkiye de ilk defa 1942 yılında hamdi varoğlu nun türkçe çevirisiyle İki yüzlü adam

the strange case of dr jekyll and mr hyde - Apr 06 2022

web the strange case of dr jekyll and mr hyde is a suspense novel by robert louis stevenson narrating the tale of dr jekyll and his menacing alter ego mr hyde source stevenson r l 1886 the strange case of dr jekyll and mr hyde longmans green and co chapter 1 the story of the door

modernes fingerpicking 1 schule für akustikgitarre einföhrung - Feb 09 2023

web modernes fingerpicking 1 schule für akustikgitarre einföhrung in die technik des fingerpicking noten tabulatoren cd on amazon com au free shipping on

modernes fingerpicking schule fur akustikgitarre pdf - Apr 30 2022

web jul 13 2023 modernes fingerpicking schule fur akustikgitarre 2 11 downloaded from uniport edu ng on july 13 2023 by guest guide to chords and scales in the popular

schule für akustikgitarre modernes fingerpicking 2 einföhrung - Aug 15 2023

web schule für akustikgitarre modernes fingerpicking 2 einföhrung in die technik des fingerpicking noten tabulaturen cd hans westermeier amazon de bücher

İstanbul müzik akademisi - Dec 07 2022

web İstanbul müzik akademisi nde keman kursu piyano kursu Şan kursu gitar kursu Çello kursu bateri kursu yan flüt kursu hizmeti verilmektedir

schule fur akustikgitarre modernes fingerpicking uniport edu - Dec 27 2021

web books in the same way as this one merely said the schule fur akustikgitarre modernes fingerpicking is universally compatible like any devices to read blues classics for

schule fur akustikgitarre modernes fingerpicking pdf - Mar 30 2022

web apr 15 2023 schule fur akustikgitarre modernes fingerpicking 2 8 downloaded from uniport edu ng on april 15 2023 by guest tim sparks and many more more than 100

modernes fingerpicking schule für akustikgitarre bd 1 - Sep 04 2022

web modernes fingerpicking schule für akustikgitarre bd 1 amazon co uk everything else

müzik akademi türkiye nin en Çok tercih edilen müzik ve sanat - Jun 01 2022

web türkiye nin en çok tercih edilen müzik kursu müzik akademi 50 den fazla branş eğitimi teknik eğitimler genç ve çocuk atölyeleri workshoplar alanında uzman ve ünlü

modernes fingerpicking 1 schule für akustikgitarre einföhrung - Jun 13 2023

web modernes fingerpicking 1 schule für akustikgitarre einföhrung in die technik des fingerpicking noten tabulatoren cd westermeier hans amazon de books

schule fur akustikgitarre modernes fingerpicking 198 58 106 - Jan 28 2022

web jan 13 2023 schule fur akustikgitarre modernes fingerpicking is available in our digital library an online access to it is set as public so you can get it instantly our book servers

onlineshop schule für akustikgitarre modernes fingerpicking 2 - Apr 11 2023

web band 2 der schule für akustikgitarre die systematisch in die technik des fingerpickings einföhrt mit noten tabulatur und cd din a 4 126 seiten

modernes fingerpicking schule fur akustikgitarre uniport edu - Feb 26 2022

web modernes fingerpicking schule fur akustikgitarre 2 8 downloaded from uniport edu ng on march 8 2023 by guest first 50 rock songs you should play on electric guitar hal

modernes fingerpicking 1 schule für akustikgitarre einföhrung - Jul 14 2023

web modernes fingerpicking 1 schule für akustikgitarre einföhrung in die technik des fingerpicking noten tabulatoren cd westermeier hans isbn 9783927503342

modernes fingerpicking schule fur akustikgitarre - May 12 2023

web fingerpicking slide guitar walking bass lines improvisation and much more featuring all styles blues classical funk metal rock jazz world ragtime flamenco

modernes fingerpicking 2 schule für akustikgitarre einföhrung - Jan 08 2023

web modernes fingerpicking 2 schule für akustikgitarre einföhrung in die technik des fingerpicking noten tabulatoren cd westermeier hans on amazon com au

modernes fingerpicking schule fur akustikgitarre - Oct 05 2022

web modernes fingerpicking schule fur akustikgitarre deutsche nationalbibliographie und bibliographie der im ausland erschienenen deutschsprachigen veröffentlichungen jul

schule fur akustikgitarre modernes fingerpicking uniport edu - Oct 25 2021

web may 1 2023 fingerpicking slide guitar walking bass lines improvisation and much more featuring all styles blues classical funk metal rock jazz world ragtime

İstanbul müzik atölyesi müzik eğitiminde bir ekol - Nov 06 2022

web İstanbul müzik atölyesi müzik eğitiminde bir ekol saatler pzt cts 08 00 18 00 tel 90 534 292 97 43 kadikÖy fenerbahçe anasayfa hakkımızda tarihçe

modernes fingerpicking schule fur akustikgitarre pdf uniport edu - Aug 03 2022

web aug 24 2023 fingerpicking schule fur akustikgitarre but end up in infectious downloads rather than reading a good book with a cup of tea in the afternoon instead

müzik teknolojileri bölümü olan Üniversiteler ve puanları - Jul 02 2022

web may 10 2023 müzik teknolojileri bölümü olan üniversiteleri sıralayacak olursak bilgi Üniversitesi müzik bölümü müzik teknolojileri yıldız teknik Üniversitesi duysal

modernes fingerpicking schule fur akustikgitarre copy - Nov 25 2021

web revelation modernes fingerpicking schule fur akustikgitarre can be one of the options to accompany you gone having additional time it will not waste your time take me the e

[schule für akustikgitarre modernes fingerpicking 2 einführung](#) - Mar 10 2023

web schule für akustikgitarre modernes fingerpicking 2 einführung in die technik des fingerpicking noten tabulaturen cd hans westermeier amazon de books