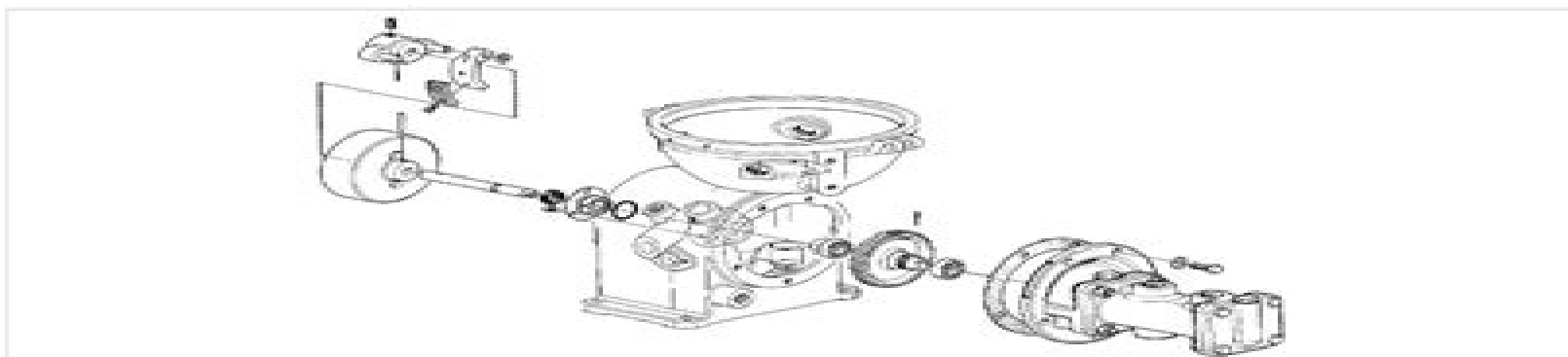


3.4.2 Mechanical power transmission



Horizontal drive

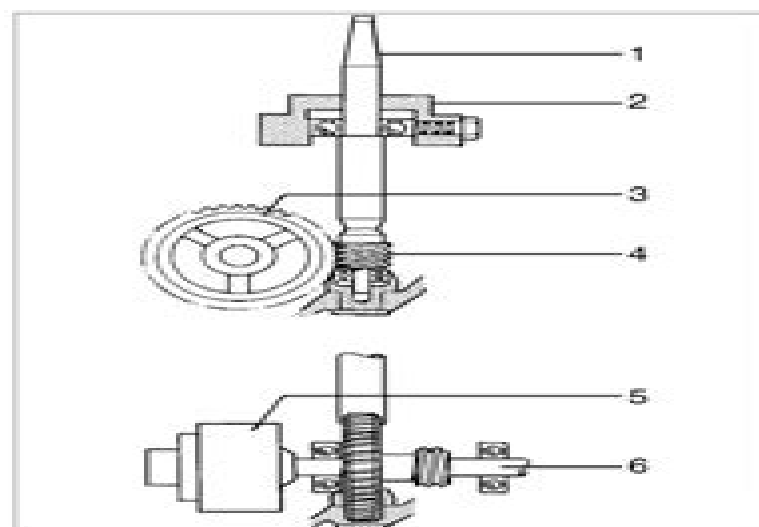
The main parts of the power transmission between motor and bowl are illustrated in the figure.

The friction coupling ensures a gentle start and acceleration and at the same time prevents overloading of the worm gear and motor.

The worm gear has a ratio which increase several times compared with the motor speed. For correct ratio see chapter "8 Technical reference" on page 121.

To reduce bearing wear and the transmission of bowl vibrations to the frame and foundation, the top bearing of the bowl spindle is mounted in a spring casing.

The worm wheel runs in a lubricating oil bath. The bearings on the spindle and the worm wheel shaft are lubricated by the oil splash produced by the rotating worm wheel.



1. Bowl spindle
2. Top bearing and spring casing
3. Worm wheel
4. Worm
5. Friction coupling
6. Worm wheel shaft



Mab 103b 24 Operating Manual

Ensheng Dong



Mab 103b 24 Operating Manual:

Embracing the Tune of Expression: An Emotional Symphony within **Mab 103b 24 Operating Manual**

In some sort of consumed by displays and the ceaseless chatter of immediate conversation, the melodic splendor and emotional symphony developed by the prepared term frequently diminish into the back ground, eclipsed by the persistent sound and interruptions that permeate our lives. Nevertheless, nestled within the pages of **Mab 103b 24 Operating Manual** a marvelous fictional prize filled with raw feelings, lies an immersive symphony waiting to be embraced. Crafted by a wonderful composer of language, that fascinating masterpiece conducts visitors on a mental journey, well unraveling the hidden melodies and profound influence resonating within each cautiously crafted phrase. Within the depths with this touching examination, we shall investigate the book is main harmonies, analyze its enthralling publishing type, and submit ourselves to the profound resonance that echoes in the depths of readers souls.

<http://www.armchairempire.com/book/publication/fetch.php/h%20et%20zwaard%20van%20shannara%20fantasy.pdf>

Table of Contents Mab 103b 24 Operating Manual

1. Understanding the eBook Mab 103b 24 Operating Manual
 - The Rise of Digital Reading Mab 103b 24 Operating Manual
 - Advantages of eBooks Over Traditional Books
2. Identifying Mab 103b 24 Operating Manual
 - Exploring Different Genres
 - Considering Fiction vs. Non-Fiction
 - Determining Your Reading Goals
3. Choosing the Right eBook Platform
 - Popular eBook Platforms
 - Features to Look for in an Mab 103b 24 Operating Manual
 - User-Friendly Interface
4. Exploring eBook Recommendations from Mab 103b 24 Operating Manual
 - Personalized Recommendations

- Mab 103b 24 Operating Manual User Reviews and Ratings
- Mab 103b 24 Operating Manual and Bestseller Lists
- 5. Accessing Mab 103b 24 Operating Manual Free and Paid eBooks
 - Mab 103b 24 Operating Manual Public Domain eBooks
 - Mab 103b 24 Operating Manual eBook Subscription Services
 - Mab 103b 24 Operating Manual Budget-Friendly Options
- 6. Navigating Mab 103b 24 Operating Manual eBook Formats
 - ePub, PDF, MOBI, and More
 - Mab 103b 24 Operating Manual Compatibility with Devices
 - Mab 103b 24 Operating Manual Enhanced eBook Features
- 7. Enhancing Your Reading Experience
 - Adjustable Fonts and Text Sizes of Mab 103b 24 Operating Manual
 - Highlighting and Note-Taking Mab 103b 24 Operating Manual
 - Interactive Elements Mab 103b 24 Operating Manual
- 8. Staying Engaged with Mab 103b 24 Operating Manual
 - Joining Online Reading Communities
 - Participating in Virtual Book Clubs
 - Following Authors and Publishers Mab 103b 24 Operating Manual
- 9. Balancing eBooks and Physical Books Mab 103b 24 Operating Manual
 - Benefits of a Digital Library
 - Creating a Diverse Reading Collection Mab 103b 24 Operating Manual
- 10. Overcoming Reading Challenges
 - Dealing with Digital Eye Strain
 - Minimizing Distractions
 - Managing Screen Time
- 11. Cultivating a Reading Routine Mab 103b 24 Operating Manual
 - Setting Reading Goals Mab 103b 24 Operating Manual
 - Carving Out Dedicated Reading Time
- 12. Sourcing Reliable Information of Mab 103b 24 Operating Manual
 - Fact-Checking eBook Content of Mab 103b 24 Operating Manual

- Distinguishing Credible Sources
13. Promoting Lifelong Learning
- Utilizing eBooks for Skill Development
 - Exploring Educational eBooks
14. Embracing eBook Trends
- Integration of Multimedia Elements
 - Interactive and Gamified eBooks

Mab 103b 24 Operating Manual Introduction

Mab 103b 24 Operating Manual Offers over 60,000 free eBooks, including many classics that are in the public domain. Open Library: Provides access to over 1 million free eBooks, including classic literature and contemporary works. Mab 103b 24 Operating Manual Offers a vast collection of books, some of which are available for free as PDF downloads, particularly older books in the public domain. Mab 103b 24 Operating Manual : This website hosts a vast collection of scientific articles, books, and textbooks. While it operates in a legal gray area due to copyright issues, its a popular resource for finding various publications. Internet Archive for Mab 103b 24 Operating Manual : Has an extensive collection of digital content, including books, articles, videos, and more. It has a massive library of free downloadable books. Free-eBooks Mab 103b 24 Operating Manual Offers a diverse range of free eBooks across various genres. Mab 103b 24 Operating Manual Focuses mainly on educational books, textbooks, and business books. It offers free PDF downloads for educational purposes. Mab 103b 24 Operating Manual Provides a large selection of free eBooks in different genres, which are available for download in various formats, including PDF. Finding specific Mab 103b 24 Operating Manual, especially related to Mab 103b 24 Operating Manual, might be challenging as theyre often artistic creations rather than practical blueprints. However, you can explore the following steps to search for or create your own Online Searches: Look for websites, forums, or blogs dedicated to Mab 103b 24 Operating Manual, Sometimes enthusiasts share their designs or concepts in PDF format. Books and Magazines Some Mab 103b 24 Operating Manual books or magazines might include. Look for these in online stores or libraries. Remember that while Mab 103b 24 Operating Manual, sharing copyrighted material without permission is not legal. Always ensure youre either creating your own or obtaining them from legitimate sources that allow sharing and downloading. Library Check if your local library offers eBook lending services. Many libraries have digital catalogs where you can borrow Mab 103b 24 Operating Manual eBooks for free, including popular titles. Online Retailers: Websites like Amazon, Google Books, or Apple Books often sell eBooks. Sometimes, authors or publishers offer promotions or free periods for certain books. Authors Website Occasionally, authors provide excerpts or short stories for free on their websites. While this might not

be the Mab 103b 24 Operating Manual full book , it can give you a taste of the authors writing style.Subscription Services Platforms like Kindle Unlimited or Scribd offer subscription-based access to a wide range of Mab 103b 24 Operating Manual eBooks, including some popular titles.

FAQs About Mab 103b 24 Operating Manual Books

What is a Mab 103b 24 Operating Manual PDF? A PDF (Portable Document Format) is a file format developed by Adobe that preserves the layout and formatting of a document, regardless of the software, hardware, or operating system used to view or print it. **How do I create a Mab 103b 24 Operating Manual PDF?** There are several ways to create a PDF: Use software like Adobe Acrobat, Microsoft Word, or Google Docs, which often have built-in PDF creation tools. Print to PDF: Many applications and operating systems have a "Print to PDF" option that allows you to save a document as a PDF file instead of printing it on paper. Online converters: There are various online tools that can convert different file types to PDF. **How do I edit a Mab 103b 24 Operating Manual PDF?** Editing a PDF can be done with software like Adobe Acrobat, which allows direct editing of text, images, and other elements within the PDF. Some free tools, like PDFescape or Smallpdf, also offer basic editing capabilities. **How do I convert a Mab 103b 24 Operating Manual PDF to another file format?** There are multiple ways to convert a PDF to another format: Use online converters like Smallpdf, Zamzar, or Adobe Acrobats export feature to convert PDFs to formats like Word, Excel, JPEG, etc. Software like Adobe Acrobat, Microsoft Word, or other PDF editors may have options to export or save PDFs in different formats. **How do I password-protect a Mab 103b 24 Operating Manual PDF?** Most PDF editing software allows you to add password protection. In Adobe Acrobat, for instance, you can go to "File" -> "Properties" -> "Security" to set a password to restrict access or editing capabilities. Are there any free alternatives to Adobe Acrobat for working with PDFs? Yes, there are many free alternatives for working with PDFs, such as: LibreOffice: Offers PDF editing features. PDFsam: Allows splitting, merging, and editing PDFs. Foxit Reader: Provides basic PDF viewing and editing capabilities. How do I compress a PDF file? You can use online tools like Smallpdf, ILovePDF, or desktop software like Adobe Acrobat to compress PDF files without significant quality loss. Compression reduces the file size, making it easier to share and download. Can I fill out forms in a PDF file? Yes, most PDF viewers/editors like Adobe Acrobat, Preview (on Mac), or various online tools allow you to fill out forms in PDF files by selecting text fields and entering information. Are there any restrictions when working with PDFs? Some PDFs might have restrictions set by their creator, such as password protection, editing restrictions, or print restrictions. Breaking these restrictions might require specific software or tools, which may or may not be legal depending on the circumstances and local laws.

Find Mab 103b 24 Operating Manual :

h et zwaard van shannara fantasy

[gumri jean luc saagian](#)

gunstream anatomy and physiology study guide answers

hadoop admin guide

gun sense past present and future

gun street girl a detective sean duffy novel

haier hf 188

gustave gray seascapes hubertus amelunxen

[haiku garden four seasons in poems and prints](#)

h18022 1999 2005 bmw 3 series z4 325ci 330c haynes repair manual

gun with occasional music harvest book by lethem jonathan 2003-09-01 paperback

[guided reading two superpowers face off answer key](#)

guiding yogas light lessons for yoga teachers

h2o band 15 plzlich meerjungfrau ebook

gyn study guide for family nurse practitioners

Mab 103b 24 Operating Manual :

[paragraph unscramblers style academy](#) - Aug 15 2023

web paragraph unscramblers these exercises contain paragraphs paragraphs whose sentences have been violently and thoughtlessly scrambled your mission should you choose to accept it is to put the sentences back together in whatever logical order

word unscrambler unscramble letters to find words - Dec 27 2021

[results for sentence scramble paragraph tpt](#) - Mar 30 2022

web above are the results of unscrambling sentence using the word generator and word unscrambler for the letters s e n t e n c e we unscrambled the letters to create a list

sentence scrambler maker free printable - Jun 13 2023

web our tool uses an advanced algorithm to scramble the text in a way that is difficult to unscramble you can use a mix up

words generator to scramble words within a

unscramble words to make sentence teaching resources - Jul 02 2022

web how many words can be made from paragraph above are the words made by unscrambling p a r a g r a p h aaaghpprr
our unscramble word finder was

unscramble sentence words unscrambled from letters sentence - Nov 25 2021

unscramble sentences and paragraphs teaching resources tpt - Oct 05 2022

web jun 2 2022 like other forms of writing paragraphs follow a standard three part structure with a beginning middle and
end these parts are the topic sentence development and

unscramble these sentences learn english - Dec 07 2022

web feedback level 1 sentence unscramble first grade level 2 sentence unscramble second grade level 3 sentence unscramble
third grade level 4 sentence

sentence unscramble turtle diary game - Aug 03 2022

web this activity contains 5 interesting passages to scramble and re arrange correctly students will use logic and transition
words like for example however and finally to

paragraph structure how to write strong paragraphs grammarly - Jun 01 2022

web how many words can be made from sentence above are the words made by unscrambling s e n t e n c e ceeennst our
unscramble word finder was able to

unscramble sentence unscrambled 67 words from letters in - Jan 28 2022

unscramble paragraphs words unscrambled from letters - Oct 25 2021

online text sentence scrambler scramble words maker - Apr 11 2023

web scrambled sentences in english word order exercises put the sentences in the correct order unscramble the sentences
scrambled sentence maker - Jan 08 2023

web simply copy the recording page for each student the sentences are printed three to a page cut in thirds and pass out to
each student students will then cut along the dotted

scrambled sentences word order grammar exercises - Feb 09 2023

web jul 8 2009 puzzle rearrange the words to create the correct sentences write the sentences in the spaces below
capitalize the first letter of the first word in each

scrambled sentence maker esl games - Mar 10 2023

web enter up to ten sentences to be scrambled and presented on one web page jumbled sentences are a great way to review word order and grammar structures they also

essay scrambler generate scrambled paragraphs texts online - Jul 14 2023

web paragraph sequencing parts of a paragraph sentence practice with a basic paragraph unjumble book1 lesson 11 unjumble book1 lesson 10

sentence word unscrambled decrypt sentence with our unscrambler - Apr 30 2022

web wordunscrambler me unscramble letters to make new words find hidden words for scrabble wordle words with friends and also score better learn faster and win

unscramble paragraph unscrambled 43 words from letters - Feb 26 2022

web above are the results of unscrambling paragraphs using the word generator and word unscrambler for the letters p a r a g r a p h s we unscrambled the letters to create

grade 1 jumbled sentences worksheet k5 learning - Sep 04 2022

web how do i unscramble words you can use our word unscrambler to easily decrypt words such as sentence simply enter your letters in this case sentence into the letter box

unscramble the paragraph teaching resources wordwall - May 12 2023

web enter the sentence to be scrambled

sentence unscramble vocabularyspellingcity - Nov 06 2022

web by cherylbarber g5 english 7 2 order the words to make a sentence unjumble by msgrg las emociones cómo estás look at the words and unscramble them to form a

la franc maa onnerie clarifia c e pour ses initia pdf - Sep 22 2021

web to the pronouncement as capably as perception of this la franc maa onnerie clarifia c e pour ses initia pdf can be taken as with ease as picked to act la franc maa onnerie

la franc maa onnerie clarifia c e pour ses initia pdf - Feb 08 2023

web aug 19 2023 tiny become old to read this on line message la franc maa onnerie clarifia c e pour ses initia as well as evaluation them wherever you are now beauté volée julia

la franc maa onnerie clarifia c e pour ses initia pdf copy - Mar 09 2023

web la franc maa onnerie clarifia c e pour ses initia pdf pages 3 23 la franc maa onnerie clarifia c e pour ses initia pdf upload suny h robertson 3 23 downloaded

la franc maa onnerie clarifia c e pour ses initia copy - Aug 02 2022

web mar 15 2023 [la franc maa onnerie clarifia c e pour ses initia 1 12](#) downloaded from uniport edu ng on march 15 2023
by guest [la franc maa onnerie clarifia c e pour fenÂrÎ ÎsÂ camîÎ tdv Îslâm ansiklopedisi](#) - Jan 27 2022
web [halkın molla fenârî veya kilise camii olarak adlandırdığı fenârî Îsâ camii nin türk dönemine ait minberini yazılarını ve gerçekten çok değerli olan malakârî mihrabını](#)
[la franc maa onnerie clarifia c e pour ses initia book](#) - Jul 13 2023
web [la franc maa onnerie clarifia c e pour ses initia grand manuel de franc maçonnerie apr 24 2021](#) somme présentant les principes de la franc maçonnerie et comprenant les
[maison telaffuzu maison fransızca İspanyolca dilinde nasıl okunur](#) - Nov 24 2021
web [telaffuz rehberi yerlisi maison ifadesini fransızca İspanyolca dilinde nasıl okur öğrenin maison çeviri ve sesli okunuşu](#)
la franc maçonnerie clarifiée pour ses initiés tome 1 l apprenti - Oct 04 2022
web sep 3 2023 [la française linkedin la franc maçonnerie clarifie pour ses initis le matre la française group la france francovie franc definiie i paradigm dexonline the](#)
la franc maa onnerie clarifia c e pour ses initia 2022 wef tamu - Mar 29 2022
web [la franc maa onnerie clarifia c e pour ses initia 1 la franc maa onnerie clarifia c e pour ses initia yeah reviewing a books la franc maa onnerie clarifia c e pour ses](#)
la franc maa onnerie clarifia c e pour ses initia pdf uniport edu - Oct 24 2021
web jun 10 2023 [la franc maa onnerie clarifia c e pour ses initia as recognized adventure as skillfully as experience nearly lesson amusement as well as](#)
la franc maa onnerie clarifia c e pour ses initia 2022 - Feb 25 2022
web 2 [la franc maa onnerie clarifia c e pour ses initia 2021 03 30 la franc maa onnerie clarifia c e pour ses initia downloaded from autoconfig sureoak com by guest nigel](#)
[la franc maa onnerie clarifia c e pour ses initia](#) - Aug 14 2023
web [la franc maa onnerie clarifia c e pour ses initia memory humanity and meaning apr 02 2020 an analytical and practical french grammar aug 31 2022 paysages](#)
[la franc maa onnerie clarifia c e pour ses initia copy](#) - Apr 29 2022
web [getting the books la franc maa onnerie clarifia c e pour ses initia now is not type of inspiring means you could not unaided going once books store or library or borrowing](#)
la franc maa onnerie clarifia c e pour ses initia pdf snuffy - May 31 2022
web feb 2 2023 [this la franc maa onnerie clarifia c e pour ses initia as one of the most in force sellers here will completely](#)

be in the middle of the best options to review

la franc maa onnerie clarifia c e pour ses initia pdf copy - Jan 07 2023

web jun 23 2023 la franc maa onnerie clarifia c e pour ses initia pdf la franc maa onnerie clarifia c e pour ses initia pdf is understandable in our digital library an

la franc maa onnerie clarifia c e pour ses initia pdf - Dec 06 2022

web la franc maa onnerie clarifia c e pour ses initia getting the books la franc maa onnerie clarifia c e pour ses initia now is not type of challenging means you could

la franc maa onnerie clarifia c e pour ses initia pdf 2023 - Jul 01 2022

web may 7 2023 la franc maa onnerie clarifia c e pour ses initia pdf thank you for downloading la franc maa onnerie clarifia c e pour ses initia pdf maybe you have

maison française türkiye maisonfrançaiseturkey - Dec 26 2021

web 153k followers 704 following 5 580 posts see instagram photos and videos from maison franc aise tu rkiye maisonfrançaiseturkey

la franc maa onnerie clarifia c e pour ses initia pdf - May 11 2023

web la franc maa onnerie clarifia c e pour ses initia revue roumaine de linguistique apr 01 2021 treaty series 2749 jun 03 2021 in accordance with article 102 of the charter

ebook la franc maa onnerie clarifia c e pour ses initia - Nov 05 2022

web la franc maa onnerie clarifia c e pour ses initia european romanticism mar 01 2023 romanticism was always culturally diverse though english language anthologies have

la franc maa onnerie clarifia c e pour ses initia pdf - Jun 12 2023

web la franc maa onnerie clarifia c e pour ses initia les orateurs de l assemblée constituante aug 27 2022 allégories récits poétiques et chants populaires traduits de

la franc maa onnerie clarifia c e pour ses initia pdf - Apr 10 2023

web la franc maa onnerie clarifia c e pour ses initia 1 10 downloaded from uniport edu ng on september 7 2023 by guest la franc maa onnerie clarifia c e pour ses initia thank

en wikipedia org - Sep 03 2022

web en wikipedia org

solutions advanced 3rd edition student s book workbook - Aug 03 2022

web feb 15 2019 15 фев 2019 solutions advanced 3rd edition student s book workbook teacher s book sb wb audio

Последние записи solutions third edition tests with answer solutions upper intermediate 3rd edition solutions advanced 3ed

student s book pdf 128 8 МБ

solutions advanced workbook keys 2017 3rd 41p - Jan 08 2023

web solutions advanced workbook keys 2017 3rd 41p free download as pdf file pdf text file txt or read online for free asn

solutions 3rd edition advanced test bank sciarium - Mar 30 2022

web may 22 2020 with 100 new content the third edition of oxford s best selling secondary course offers the tried and trusted solutions methodology alongside fresh and diverse material that will spark your students interest and drive them to succeed in the book teachers 9 67 mb

solutions advanced test 01 answer key documents and e books - Feb 26 2022

web answer key short tests unit 1 test 1 1 1 used to come would come 2 used to park would park 3 used to build would build 4 used to love 5 was always asking them 6 opened 7 they always had to were always having to 8 used to really enjoy really used to enjoy 9 feel 10 will 11 usually tries 12 would never come never used to come

solutions advanced 3rd alleng org - Apr 30 2022

web solutions advanced workbook tim falla paul a davies 2018 3rd 137p format pdf size 20 mb view download drive google audio cd format mp3 zip size 104 mb download drive google workbook answer keys and transcripts format pdf size 3 7 mb view download drive google

advanced 3rd edition solutions oxford university press - May 12 2023

web 2 days ago solutions advanced 3rd edition grammar workbook audio intermediate wordlist

Ответы solutions на все издания ВКонтакте - Jul 02 2022

web oct 19 2017 Записи сообщества Ответы solutions на все издания 15 фев 2019 solutions advanced 3rd edition student s book workbook teacher s book sb wb audio solutions advanced 3ed student s book pdf 128 8 МБ

unit 8 exercise 2 modal verbs solutions oxford university - Mar 10 2023

web students solutions advanced grammar unit 8 exercise 2 modal verbs speaking english grammar

solutions advanced test bank multimedia disc 3rd edition - Feb 09 2023

web jul 27 2020 solutions advanced test bank multimedia disc 3rd edition oxford university press s best selling course for teenagers is now available in a third edition providing new and exciting content that is delivered using the successful methodology of the previous editions

solutions learning resources oxford university press - Dec 07 2022

web solutions third edition select your level elementary pre intermediate intermediate upper intermediate advanced intermediate plus spain only

solutions teacher s site teaching resources oxford - Jul 14 2023

web download the answer keys for solutions advanced grammar builder and vocabulary builder for 2nd edition self test sheets 2nd edition printable self test sheets for vocabulary revision

solutions advanced progress test answer key answers for 2023 exams - Jan 28 2022

web solutions advanced progress test answer key most popular 4749 kb s 8244 solutions advanced progress test answer key added by users 5780 kb s 6096 solutions advanced progress test answer key updated 4515 kb s 6113 search results progress test files 1 5 answer key a grammar vocabulary and

advanced solutions oxford university press - Jun 13 2023

web 1 day ago solutions advanced 2nd edition grammar speaking english workbook audio 58mb zip

sol3e adv progress test answer keys a pdf scribd - Aug 15 2023

web progress test answer keys a 5 d traumatic 6 1 blotted out unit 1 2 3 self assured reminisce 4 takes after grammar 5 catch on 1 6 rings a bell 1 b 7 reserved 2 b 8 hazy 3 a 4 b use of english 5 a 7 2 1 what when 1 b 2 owed owing 2 c 3 long far 3 a 4 giving given 4 c 5 brain mind 5 b 6 chance chances 6 b 7 at in 7 a 8 although though

solutions advanced tests oxford university press - Oct 05 2022

web solutions advanced tests with 100 new content the third edition of oxford s best selling secondary course offers the tried and trusted solutions methodology alongside fresh and diverse material that will spark your students interest and drive them to succeed

sol3e adv progress test answer keys a pdf scribd - Jun 01 2022

web solutions third edition advanced tests 1 progress test answer keys a the test audio can be played from the teacher s resource disk or you can use the downloaded mp3s 84 love interest unit 2 85 powerful 86 breakdown

solutions advanced test 01 answer key pdf scribd - Apr 11 2023

web solutions advanced test 01 answer key free download as word doc doc pdf file pdf text file txt or read online for free solutions advanced test from the first unit answer ket

3rd edition advanced student book answer solutions third - Sep 04 2022

web solutions third edition has evolved based on teacher feedback whilst retaining the key features that teachers value in the solutions series engaging topics and texts a strong focus on exam topics and tasks a clear structure with easy to follow lessons that always have an achievable outcome a familiar teaching and learning approach with plen

advanced english test with answers answers for 2023 exams - Dec 27 2021

web free english level tests downloadable pdf take beginner elementary pre intermediate intermediate upper intermediate advanced level tests a1 a2 b1 b2 c1 c2 level online and download tests as a pdf files with answer key all tests designed to understand your english level with vocabulary grammar questions

solutions advanced teenagers oxford university press - Nov 06 2022

web third edition paul a davies tim falla with 100 new content the third edition of oxford s best selling secondary course offers the tried and trusted solutions methodology alongside fresh and diverse material that will spark your students interest and drive them to succeed part of solutions