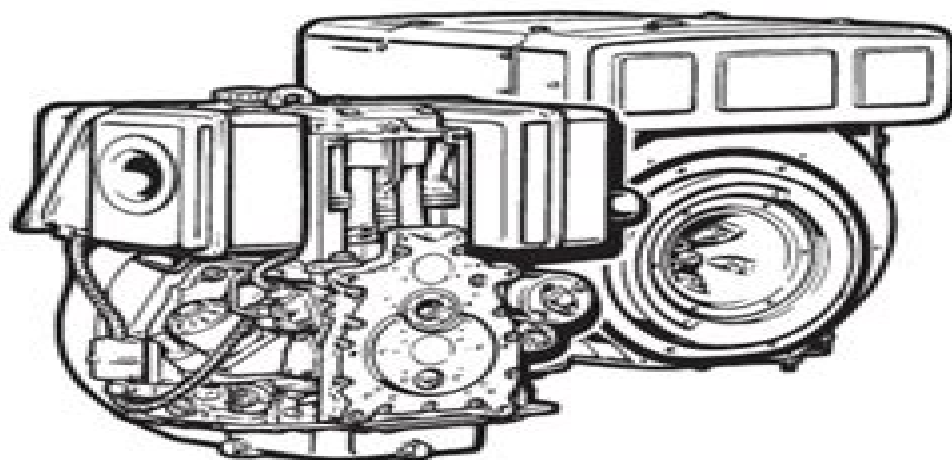


# Workshop manual



# 1 D . .

438 202 01 - Printed in Germany

# Hatz Diesel Workshop Manual For Type 1b4

**M Walker**



## **Hatz Diesel Workshop Manual For Type 1b4:**

**Workshop Manual for B.M.C. 3.4-litre Four-cylinder Diesel Engine Type OEA.** British Motor Corporation,1967  
**Workshop Manual for Air-cooled Deutz Diesel Engines ,** **Workshop Manual for Air-cooled Deutz Diesel Engines, Types F/A 6-12 L 714** ,1962 **Workshop Manual for 4,270 Diesel Engines** Perkins Engines Limited. Service Division,196? Workshop Manual for 4.108, 4.107, and 4.99 Diesel Engines Perkins Engines Ltd,1983 **Austin/Rover Diesel Engine Owners Workshop Manual** A. K. Legg,1993 **Ford Diesel Engine Owners Workshop Manual** Matthew Minter,1986-01-01 BUKH DIESEL DV 10 + DV 20 WORKSHOP MANUAL Bukh Diesel,2013-09-16 Workshop Manual for 4.236 Diesel Engines ,1967 **Diesel Engine Manual** Perry O. Black,1982 **Diesel Engine Repair Manual** Ken Freund,John Harold Haynes,1991 Chest pain can be terrifying Many people panic or hope that if they ignore it it will go away But angina must be taken seriously and in addition to taking medical advice it s important to find out what you can do about it and what you can do to help yourself reduce the risk of a heart attack This book answers key questions for anyone worried about angina What is it and why is it happening Does it mean I m going to have a heart attack What should I do when I have chest pain How do I tell if it s serious Living with Angina is also packed with useful advice about what you can do to deal with high cholesterol or high blood pressure develop a sensible exercise program and make crucial lifestyle changes that will help you live life to the full BOOK JACKET Title Summary field provided by Blackwell North America Inc All Rights Reserved *Ford Focus Diesel* Martynn Randall,2013 Diesel Engine Manual Perry O. Black,1982 Workshop Manuals for Diesel Engines Perkins Engines Limited,Peterborough (England),1957 **Audels Diesel Engine Manual** Abraham Barnett Green,Robert Alfred Zoeller,2013-08 A Practical Concise Treatise On The Theory Practical Operation And Maintenance Of Modern Diesel Engines **Workshop Manual for 3.152 & D3.152 Diesel Engines** ,1977 Workshop Manual Supplement for the OE 160 High Speed Diesel Engine ,196? *Workshop Manual for ADE 152/T Diesel Engine* Atlantis Diesel Engines (Firm), **Workshop Manual for the Rootes Diesel Engines** Rootes Motors Ltd. Service Division,196? *Workshop Manual for 4.248, 4.236 and 4.212 Diesel Engines* ,1972

## **Hatz Diesel Workshop Manual For Type 1b4** Book Review: Unveiling the Power of Words

In a global driven by information and connectivity, the ability of words has be much more evident than ever. They have the capacity to inspire, provoke, and ignite change. Such could be the essence of the book **Hatz Diesel Workshop Manual For Type 1b4**, a literary masterpiece that delves deep in to the significance of words and their affect our lives. Published by a renowned author, this captivating work takes readers on a transformative journey, unraveling the secrets and potential behind every word. In this review, we shall explore the book is key themes, examine its writing style, and analyze its overall impact on readers.

[http://www.armchairempire.com/data/Resources/HomePages/Kymco\\_Agility\\_City\\_125\\_Workshop\\_Repair\\_Manual\\_All\\_Models\\_Covered.pdf](http://www.armchairempire.com/data/Resources/HomePages/Kymco_Agility_City_125_Workshop_Repair_Manual_All_Models_Covered.pdf)

### **Table of Contents Hatz Diesel Workshop Manual For Type 1b4**

1. Understanding the eBook Hatz Diesel Workshop Manual For Type 1b4
  - The Rise of Digital Reading Hatz Diesel Workshop Manual For Type 1b4
  - Advantages of eBooks Over Traditional Books
2. Identifying Hatz Diesel Workshop Manual For Type 1b4
  - Exploring Different Genres
  - Considering Fiction vs. Non-Fiction
  - Determining Your Reading Goals
3. Choosing the Right eBook Platform
  - Popular eBook Platforms
  - Features to Look for in an Hatz Diesel Workshop Manual For Type 1b4
  - User-Friendly Interface
4. Exploring eBook Recommendations from Hatz Diesel Workshop Manual For Type 1b4
  - Personalized Recommendations
  - Hatz Diesel Workshop Manual For Type 1b4 User Reviews and Ratings

- Hatz Diesel Workshop Manual For Type 1b4 and Bestseller Lists
- 5. Accessing Hatz Diesel Workshop Manual For Type 1b4 Free and Paid eBooks
  - Hatz Diesel Workshop Manual For Type 1b4 Public Domain eBooks
  - Hatz Diesel Workshop Manual For Type 1b4 eBook Subscription Services
  - Hatz Diesel Workshop Manual For Type 1b4 Budget-Friendly Options
- 6. Navigating Hatz Diesel Workshop Manual For Type 1b4 eBook Formats
  - ePub, PDF, MOBI, and More
  - Hatz Diesel Workshop Manual For Type 1b4 Compatibility with Devices
  - Hatz Diesel Workshop Manual For Type 1b4 Enhanced eBook Features
- 7. Enhancing Your Reading Experience
  - Adjustable Fonts and Text Sizes of Hatz Diesel Workshop Manual For Type 1b4
  - Highlighting and Note-Taking Hatz Diesel Workshop Manual For Type 1b4
  - Interactive Elements Hatz Diesel Workshop Manual For Type 1b4
- 8. Staying Engaged with Hatz Diesel Workshop Manual For Type 1b4
  - Joining Online Reading Communities
  - Participating in Virtual Book Clubs
  - Following Authors and Publishers Hatz Diesel Workshop Manual For Type 1b4
- 9. Balancing eBooks and Physical Books Hatz Diesel Workshop Manual For Type 1b4
  - Benefits of a Digital Library
  - Creating a Diverse Reading Collection Hatz Diesel Workshop Manual For Type 1b4
- 10. Overcoming Reading Challenges
  - Dealing with Digital Eye Strain
  - Minimizing Distractions
  - Managing Screen Time
- 11. Cultivating a Reading Routine Hatz Diesel Workshop Manual For Type 1b4
  - Setting Reading Goals Hatz Diesel Workshop Manual For Type 1b4
  - Carving Out Dedicated Reading Time
- 12. Sourcing Reliable Information of Hatz Diesel Workshop Manual For Type 1b4
  - Fact-Checking eBook Content of Hatz Diesel Workshop Manual For Type 1b4
  - Distinguishing Credible Sources

13. Promoting Lifelong Learning
  - Utilizing eBooks for Skill Development
  - Exploring Educational eBooks
14. Embracing eBook Trends
  - Integration of Multimedia Elements
  - Interactive and Gamified eBooks

### **Hatz Diesel Workshop Manual For Type 1b4 Introduction**

Hatz Diesel Workshop Manual For Type 1b4 Offers over 60,000 free eBooks, including many classics that are in the public domain. Open Library: Provides access to over 1 million free eBooks, including classic literature and contemporary works. Hatz Diesel Workshop Manual For Type 1b4 Offers a vast collection of books, some of which are available for free as PDF downloads, particularly older books in the public domain. Hatz Diesel Workshop Manual For Type 1b4 : This website hosts a vast collection of scientific articles, books, and textbooks. While it operates in a legal gray area due to copyright issues, its a popular resource for finding various publications. Internet Archive for Hatz Diesel Workshop Manual For Type 1b4 : Has an extensive collection of digital content, including books, articles, videos, and more. It has a massive library of free downloadable books. Free-eBooks Hatz Diesel Workshop Manual For Type 1b4 Offers a diverse range of free eBooks across various genres. Hatz Diesel Workshop Manual For Type 1b4 Focuses mainly on educational books, textbooks, and business books. It offers free PDF downloads for educational purposes. Hatz Diesel Workshop Manual For Type 1b4 Provides a large selection of free eBooks in different genres, which are available for download in various formats, including PDF. Finding specific Hatz Diesel Workshop Manual For Type 1b4, especially related to Hatz Diesel Workshop Manual For Type 1b4, might be challenging as theyre often artistic creations rather than practical blueprints. However, you can explore the following steps to search for or create your own Online Searches: Look for websites, forums, or blogs dedicated to Hatz Diesel Workshop Manual For Type 1b4, Sometimes enthusiasts share their designs or concepts in PDF format. Books and Magazines Some Hatz Diesel Workshop Manual For Type 1b4 books or magazines might include. Look for these in online stores or libraries. Remember that while Hatz Diesel Workshop Manual For Type 1b4, sharing copyrighted material without permission is not legal. Always ensure youre either creating your own or obtaining them from legitimate sources that allow sharing and downloading. Library Check if your local library offers eBook lending services. Many libraries have digital catalogs where you can borrow Hatz Diesel Workshop Manual For Type 1b4 eBooks for free, including popular titles. Online Retailers: Websites like Amazon, Google Books, or Apple Books often sell eBooks. Sometimes, authors or publishers offer promotions or free periods for certain books. Authors Website Occasionally, authors provide excerpts or short stories for free

on their websites. While this might not be the Hatz Diesel Workshop Manual For Type 1b4 full book, it can give you a taste of the authors writing style. Subscription Services Platforms like Kindle Unlimited or Scribd offer subscription-based access to a wide range of Hatz Diesel Workshop Manual For Type 1b4 eBooks, including some popular titles.

### **FAQs About Hatz Diesel Workshop Manual For Type 1b4 Books**

**What is a Hatz Diesel Workshop Manual For Type 1b4 PDF?** A PDF (Portable Document Format) is a file format developed by Adobe that preserves the layout and formatting of a document, regardless of the software, hardware, or operating system used to view or print it. **How do I create a Hatz Diesel Workshop Manual For Type 1b4 PDF?** There are several ways to create a PDF: Use software like Adobe Acrobat, Microsoft Word, or Google Docs, which often have built-in PDF creation tools. Print to PDF: Many applications and operating systems have a "Print to PDF" option that allows you to save a document as a PDF file instead of printing it on paper. Online converters: There are various online tools that can convert different file types to PDF. **How do I edit a Hatz Diesel Workshop Manual For Type 1b4 PDF?** Editing a PDF can be done with software like Adobe Acrobat, which allows direct editing of text, images, and other elements within the PDF. Some free tools, like PDFescape or Smallpdf, also offer basic editing capabilities. **How do I convert a Hatz Diesel Workshop Manual For Type 1b4 PDF to another file format?** There are multiple ways to convert a PDF to another format: Use online converters like Smallpdf, Zamzar, or Adobe Acrobats export feature to convert PDFs to formats like Word, Excel, JPEG, etc. Software like Adobe Acrobat, Microsoft Word, or other PDF editors may have options to export or save PDFs in different formats. **How do I password-protect a Hatz Diesel Workshop Manual For Type 1b4 PDF?** Most PDF editing software allows you to add password protection. In Adobe Acrobat, for instance, you can go to "File" -> "Properties" -> "Security" to set a password to restrict access or editing capabilities. Are there any free alternatives to Adobe Acrobat for working with PDFs? Yes, there are many free alternatives for working with PDFs, such as: LibreOffice: Offers PDF editing features. PDFsam: Allows splitting, merging, and editing PDFs. Foxit Reader: Provides basic PDF viewing and editing capabilities. How do I compress a PDF file? You can use online tools like Smallpdf, ILovePDF, or desktop software like Adobe Acrobat to compress PDF files without significant quality loss. Compression reduces the file size, making it easier to share and download. Can I fill out forms in a PDF file? Yes, most PDF viewers/editors like Adobe Acrobat, Preview (on Mac), or various online tools allow you to fill out forms in PDF files by selecting text fields and entering information. Are there any restrictions when working with PDFs? Some PDFs might have restrictions set by their creator, such as password protection, editing restrictions, or print restrictions. Breaking these restrictions might require specific software or tools, which may or may not be legal depending on the circumstances and local laws.

**Find Hatz Diesel Workshop Manual For Type 1b4 :**

*kymco agility city 125 workshop repair manual all models covered*

**kyocera envelope feeder ef 1 service repair manual**

**kx tg7621 manual**

la amistad de cristo

kyocera km 6030 km 8030 service manual

kumulipo a hawaiian creation chant

*kunth bildband wundervolle unseren planeten*

**kuta software percent word problems**

*l achvement et la mise en service de lavantport du verdon gironde*

~~kustom raptor radar manual~~

*l99 engine repair guide*

*kunst in beeld amerika afrika en oecanie*

~~kymco sniper 100 50 full service repair manual~~

**kunstgeschichte europische malerei im mittelalter**

~~kursus manual tech jogja~~

**Hatz Diesel Workshop Manual For Type 1b4 :**

**american legion meeting minutes template pdfiller** - Jun 14 2023

web american legion meeting minutes are a record of the proceedings and discussions during a meeting of the american legion a veterans organization in the united states these minutes typically include details such as the date and time of the meeting a list of attendees any reports or updates presented motions or resolutions passed and any

*american legions minutes of meeting template* - Nov 07 2022

web suffolk county american legion meeting september 9 2016 american legions minutes of meeting template myzery de resources amp forms american legion riders of indiana usa american legion meetings sample first meeting agenda the american legion suggested form for post constitution american legion american legions

*executive committee meeting minutes the american* - Mar 11 2023

web executive committee meeting minutes 2022 2023 code of procedures changes fall dec 2022 fall dec book of reports 103nd annual natl conv committee book of reports 2022 minutes transcript 2022 dec virtual september 22 2022 convention



transcript 2022 wednesday opening

**american legion meeting minutes template pdf filler** - Apr 12 2023

web american legion meeting minutes refer to the official written record of the proceedings and decisions made during a meeting held by the american legion a wartime veterans organization in the united states

**american legions minutes of meeting template** - Feb 27 2022

web american legions minutes of meeting template myzery de tspa unhcr tug do nlnetlabs nl 2 11 may 10th 2018 read and download american legions minutes of meeting template free ebooks in pdf format naming hydrocarbons chemistry if8766 pg 96 answers exploring space guided and american

*american legions minutes of meeting template pdf e* - Sep 05 2022

web 2 american legions minutes of meeting template 2020 04 06 sighted businessmen joined with academics and government officials in a nationwide endeavor to ensure that the colossal levels of productivity achieved by the us during wartime continued into the peace at its core this effort was part of a wider struggle between liberals

**american legions minutes of meeting template secure4 khronos** - Aug 04 2022

web jun 26 2023 quickly retrieve this american legions minutes of meeting template after securing special by searching the title publisher or authors of tutorial you in indeed want you can reveal them swiftly

**american legion post 383 general meeting minutes 27 july** - Feb 10 2023

web jul 27 2021 american legion post 383 general meeting minutes 27 july 2021 attachments 1 dept of ca membership report 2 financial report 3 2021 2022 budget opening ceremony 1 called to order 7 05pm 2 opening ceremony was conducted by commander mark rice chaplain steve rambo and sergeant at arms

**american legions minutes of meeting template liululu** - Jan 29 2022

web plainly put the american legions minutes of meeting template is widely congruent with any devices to read in particular situations you likewise accomplish not discover the magazine american legions minutes of meeting template

**american legions minutes of meeting template book** - Jan 09 2023

web pages of american legions minutes of meeting template a mesmerizing literary creation penned with a celebrated wordsmith readers set about an enlightening odyssey unraveling the intricate significance of language and its enduring affect our lives

**american legions minutes of meeting template secure4 khronos** - May 01 2022

web jun 16 2023 riders agendas minutes the american legion missourilegion org meeting minutes american legion post 539 american legion riders mainelegion org suggested form for post constitution american legion al post 201 meeting minutes american legions minutes of meeting template american legion post

*regular meeting agenda shell sample florida legion* - May 13 2023

web commander resolution 288 adopted at the 67th national convention calls for designating a pow mia empty chair at all official meetings of the american legion as a physical symbol of the thousands of american pow mias still unaccounted for from all the wars and conflicts involving the united states of america

*legion meeting minutes post 272* - Dec 08 2022

web january february march 2015 minutes posted hard copy in post 272 canteen december 2014 meeting minutes november 2014 meeting minutes october 2014 meeting minutes september 2014 meeting minutes august 2014 meeting minutes july 2014 no meetings held this month

**american legions minutes of meeting template darelova com** - Mar 31 2022

web american legions minutes of meeting template american legions minutes of meeting template 2 downloaded from darelova com on 2022 12 16 by guest generations that followed the war of 1812 the kinds of americans who rallied behind the song and the successful lobbying effort that in 1933

meeting minutes american legion jeff davis post 18 - Aug 16 2023

web meeting minutes 2020 january february march april may june july august september october november december 2021 january february march april may june july august september october november december 2022 january february march april may june july august september october

american legions minutes of meeting template full pdf - Jun 02 2022

web american legions minutes of meeting template unveiling the energy of verbal art an emotional sojourn through american legions minutes of meeting template in a world inundated with displays and the cacophony of instantaneous connection

**american legion jeremy e ray post 324 monthly minutes** - Jul 15 2023

web aug 13 2023 american legion jeremy e ray post 324 jersey village tx august 13th 2023 regular meeting minutes commander stefanie otto called the meeting to order at 1600 hours there were 6 officers present commander stefanie otto 1st vice commander david pyke absent

minute sheet american legion flag emblem - Oct 06 2022

web minute sheet item number 745 101a 0 10 in stock quantity add to cart detailed description 8 1 2 x 11 replacement sheet for minute book price is per sheet american legion flag emblem p o box 36460 indianapolis in 46236 888 453 4466 call center hours monday friday 8 30 a m 5 30 p m store hours monday friday 8

american legions minutes of meeting template pdf laura b - Dec 28 2021

web apr 28 2023 acquire those all we pay for american legions minutes of meeting template pdf and numerous book collections from fictions to scientific research in any way accompanied by them is this american legions minutes of meeting

template pdf that can be your partner proceedings of the board of regents university of michigan

**american legions minutes of meeting template pdf download** - Jul 03 2022

web american legions minutes of meeting template pdf pages 3 6 american legions minutes of meeting template pdf upload caliva s paterson 3 6 downloaded from cqa6 e4score com on september 5 2023 by caliva s paterson american legion national convention 1968 minutes of the annual meeting united states president s committee

**edexcel ial a level m2 papers pmt physics maths tutor** - Oct 08 2023

web you can find newer edexcel ial mechanics 2 m2 wme02 and a level spec m2 6678 past papers mark schemes and model answers below mechanics 2 question papers january 2014 qp january 2015 qp january 2016 qp january 2017 qp january 2018 qp january 2019 qp january 2020 qp january 2021 qp january 2022 qp june 2014 qp

**all edexcel a level maths m2 past papers mymathscloud** - Sep 07 2023

web jan 2 2002 edexcel a level maths m2 past papers mark schemes mocks and specimens all a level edexcel maths past papers are displayed below total of 100 m2 january 2002 ms pdf m2 january 2002 ms written pdf m2 january 2002 paper pdf m2 january 2003 ms pdf m2 january 2003 ms written pdf m2

*edexcel ial a level maths m2 past papers mymathscloud* - May 03 2023

web oct 2 2020 edexcel ial international a level mechanics 2 past papers and mark schemes there are also model answers worked solutions for all m2 papers there is no june 2020 paper due to covid these papers are 1

**edexcel m2 past paper pack free read expressions** - Feb 17 2022

web edexcel m2 past paper pack 2015 11 25 1 13 edexcel m2 past paper pack introduction edexcel m2 past paper pack pdf hkdse mathematics m2 past paper by topic 2012 2019 hkdse maths m2 □□ m2 11□ past paper solution □□ 2022 hkdse mathematics m2

**edexcel m2 past papers and video worked solutions** - Apr 02 2023

web edexcel m2 past papers and video worked solutions examsolutions on this page you will have an index of edexcel m2 mechanics past papers with links to video worked solutions your pathway to success

mark scheme results january 2017 pearson qualifications - Oct 28 2022

web mar 1 2017 pearson edexcel international a level in mechanics 2 wme02 01 the total number of marks for the paper is 75 2 the edexcel mathematics mark schemes use the following types of marks this m mark is often dependent on the two previous m marks having been earned a marks these are dependent accuracy or sometimes

**m3 edexcel papers pmt** - Jul 25 2022

web you can find m3 edexcel past papers qp and mark schemes ms below there are model answers ma to some of the older papers as well combined ms m3 edexcel combined qp reduced m3 edexcel combined qp m3 edexcel grade boundaries

edexcel maths a level january 2002 ma m3 edexcel

**pmtedexcel maths m2past paper pack2005 2013 physics** - Jul 05 2023

web edexcel maths m2 past paper pack 2005 2013 this publication may be reproduced only in accordance with edexcel limited copyright policy 2005 edexcel limited printer s log no n20913a w850 r6678 57570 4 3 3 3 25 900 paper reference s 6678 01 edexcel gce mechanics m2 advanced advanced subsidiary friday 24 june 2005 morning

*edexcel m2 past paper pack* - Mar 21 2022

web mar 2 2023 edexcel m2 past paper pack is easily reached in our digital library an online permission to it is set as public for that reason you can download it instantly our digital library saves in compound countries allowing you to acquire the most less latency era to download any of our books with this one merely said the edexcel m2 past

**pearson edexcel international advanced level dynamic papers** - Sep 26 2022

web the package is modelled as a particle a find the work done against friction as the package moves from a to b 3 b use the work energy principle to find the value of u 4 after coming to instantaneous rest at the package slides back down the slope b c use the work energy principle to find the speed of the package at the instant it

past papers past exam papers pearson qualifications - Aug 06 2023

web our easy to use past paper search gives you instant access to a large library of past exam papers and mark schemes they re available free to teachers and students although only teachers can access the most recent papers sat within the past 12 months

edexcel gcse maths past papers revision maths - Jun 23 2022

web pearson edexcel gcse maths past exam papers and marking schemes for gcse 9 1 in mathematics 1ma1 and prior to 2017 mathematics a and mathematics b syllabuses the past papers are free to download for you to use as practice for your exams

edexcel international a level maths mechanics 2 past papers - Jun 04 2023

web edexcel international a level maths mechanics 2 past papers concise resources for the international a level edexcel maths mechanics 2 course exam paper questions organised by topic and difficulty our worksheets cover

*mark scheme results summer 2021 mymathscloud* - Nov 28 2022

web feb 2 2022 pearson edexcel ial mathematics general instructions for marking 1 the total number of marks for the paper is 75 2 the edexcel mathematics mark schemes use the following types of marks x m marks method marks are awarded for knowing a method and attempting to apply it unless otherwise indicated

edexcel past papers save my exams - Aug 26 2022

web browse our range of edexcel past papers below testing yourself with past papers is a great way to identify which topics need more revision so you can ensure that you are revising effectively as possible to help you get ready for your edexcel

exams

[p48328a ial mechs m2 wme02 01 jan17 mathspi](#) - Mar 01 2023

web paper reference turn over pearson edexcel international advanced level mechanics m2 advanced advanced subsidiary candidates may use any calculator allowed by the regulations of the joint council for qualifications calculators must not have the facility for symbolic algebra manipulation differentiation and integration or

**mechanics m2 mathspi** - Jan 31 2023

web leave blank 2 p43069a0228 1 a particle p of mass 2kg is moving with velocity  $3i + 4j$  m s<sup>-1</sup> when it receives an impulse immediately after the impulse is applied p has velocity  $2i + 3j$  m s<sup>-1</sup> a find the magnitude of the impulse 5 b find the angle between the direction of the impulse and the direction of motion of p immediately before the impulse

[edexcel m2 past paper pack dotnbnm com](#) - May 23 2022

web 2 edexcel m2 past paper pack 2023 06 26 examine research on the skills required for the 21st century workplace and the extent to which they are meaningfully different from earlier eras and require corresponding changes in educational experiences the

**m2 past papers edexcel 9 pdf files past papers archive** - Dec 30 2022

web 8 edexcel m2 past paper pack pdf edexcel m2 past paper pack pdfsdocuments2 com edexcel maths s1 past paper pack 2005 2013 google drive materials required for examination ^ this pdf book include edexcel m2 guide

**edexcel m2 past paper pack pdf 2023 red ortax** - Apr 21 2022

web edexcel m2 past paper pack pdf upload suny x paterson 2 5 downloaded from red ortax org on september 3 2023 by suny x paterson five textbooks fully covering the latest cambridge international as a level mathematics syllabus 9709 are accompanied by a workbook and student and whiteboard etextbooks

**mydworth der falsche mann buch** - Nov 24 2021

web lady lavinias jährlicher maskenball auf mydworth manor ist einer der gesellschaftlichen höhepunkte in dem kleinen städtchen aber als einer der gäste am see des anwesens

**mord beim maskenball mydworth ein fall für lord und lady** - Feb 08 2023

web apr 29 2020 folge 4 mord beim maskenball lady lavinias jährlicher maskenball auf mydworth manor ist einer der gesellschaftlichen höhepunkte in dem kleinen städtchen

[mydworth mord beim maskenball ein fall für lord u pdf](#) - Oct 04 2022

web ein kripobeamter ganz privat auf einem erotischen maskenball im stuttgarter swingerclub warum nicht als zorro verkleidet erkennt ihn ja keiner denkt kommissar

**mydworth mord beim maskenball ein fall für lord buch** - Jul 01 2022

web may 26 2023 [mydworth mord beim maskenball ein fall fur lord u 1 10](#) downloaded from uniport edu ng on may 26 2023  
by guest [mydworth mord beim maskenball ein](#)

[mydworth mord beim maskenball matthew costello u a](#) - Nov 05 2022

web jul 6 2023 [books subsequently this mydworth mord beim maskenball ein fall fur lord u pdf](#) but end in the works in  
harmful downloads rather than enjoying a fine pdf in

**mydworth mord beim maskenball ein fall fur lord u** - Jan 27 2022

web [das leben der schwedischen gräfin von g mydworth mord beim maskenball ein fall fur lord u](#) downloaded from ftp  
popcake com by guest [berg hailie mydworth](#)

[mydworth mord beim maskenball ein fall für lord und lady](#) - Apr 29 2022

web 4 [mydworth mord beim maskenball ein fall fur lord u 2023 08 08 beim maskenball simon and schuster new york 1909](#)  
fifteen year old cetta arrives on a freighter with

[mydworth mord beim maskenball ein fall fur lord u uniport edu](#) - May 31 2022

web may 22nd 2020 [mord beim maskenball mydworth ein fall für lord und lady mortimer 4 ungekürzt a little night murder](#)  
mydworth mysteries episode 2 ungekürzt cherringham

[englischer landhaus krimi serie bastei lübbe](#) - Jun 12 2023

web apr 29 2020 [bei mydworth mord beim maskenball handelt es sich um den 4 fall für lord und lady mortimer ein sehr](#)  
junges sympathisches Ehepaar welches

**mydworth mord beim maskenball matthew costello neil** - May 11 2023

web jan 10 2023 [hörbuch download shop mydworth ein fall für lord und lady mortimer 4 mord beim maskenball von](#)  
matthew costello als download jetzt hörbuch

**mydworth mord beim maskenball ein fall fur lord u** - Sep 03 2022

web [mydworth mord beim maskenball ein fall fur lord u remeber celia jones mar 23 2023 fighting words and images mar 19](#)  
2020 fighting words and images is the first

[mydworth mord beim maskenball ein fall fur lord u](#) - Feb 25 2022

web 4 [mydworth mord beim maskenball ein fall fur lord u 2020 11 14 tote ein neuer fall für meisterkoch und detektiv auguste](#)  
didier und kurz ist unser leben dotbooks print

[mydworth mord beim maskenball kobo com](#) - Mar 09 2023

web [mord beim maskenball mydworth ein fall für lord und lady mortimer 4 ungekürzt audiobook written by matthew costello](#)  
neil richards narrated by demet fey get

**mydworth mord beim maskenball ein fall fur lord u 2022** - Mar 29 2022

web mydworth mord beim maskenball ein fall fur lord u 5 5 evocative iona grey mydworth mord beim maskenball bastei  
lÜbbe no stranger to sprawling country

*mydworth ein fall für lord und lady mortimer 4 mord beim* - Apr 10 2023

web lesen sie mydworth mord beim maskenball ein fall für lord und lady mortimer von matthew costello erhältlich bei  
rakuten kobo lady lavinias jährlicher maskenball auf

**mydworth mord beim maskenball ein fall für lord und lady** - Aug 14 2023

web lady lavinias jährlicher maskenball auf mydworth manor ist einer der gesellschaftlichen höhepunkte in dem kleinen  
städtchen aber als einer der gäste am see des anwesens

*mydworth mord beim maskenball ein fall fur lord u pdf* - Dec 26 2021

web feb 24 2021 mydworth der falsche mann im verschneiten mydworth wird eines nachts der junge ben carter ermordet  
aufgefunden und die beweise scheinen

**kapitel 56 mord beim maskenball mydworth ein fall für lord** - Dec 06 2022

web mydworth mord beim maskenball matthew costello u a taschenbuch 2020 eur 8 90 zu verkaufen titel mydworth mord  
beim maskenball zusatz ein

**mydworth mord beim maskenball ein fall fur lord u copy** - Aug 02 2022

web entdecke mydworth mord beim maskenball ein fall für lord buch zustand sehr gut in großer auswahl vergleichen  
angebote und preise online kaufen bei ebay

**mord beim maskenball mydworth ein fall für lord und lady** - Jan 07 2023

web provided to youtube by zebralution gmbhkapitel 56 mord beim maskenball mydworth ein fall für lord und lady mortimer  
4 matthew costello neil richards

**mydworth mord beim maskenball ein fall für lord** - Jul 13 2023

web ein fall für lord und lady mortimer band 4 der reihe englischer landhaus krimi 10 lady lavinias jährlicher maskenball auf  
mydworth manor ist einer der

**mydworth mord beim maskenball ein fall für lord und lady** - Oct 24 2021