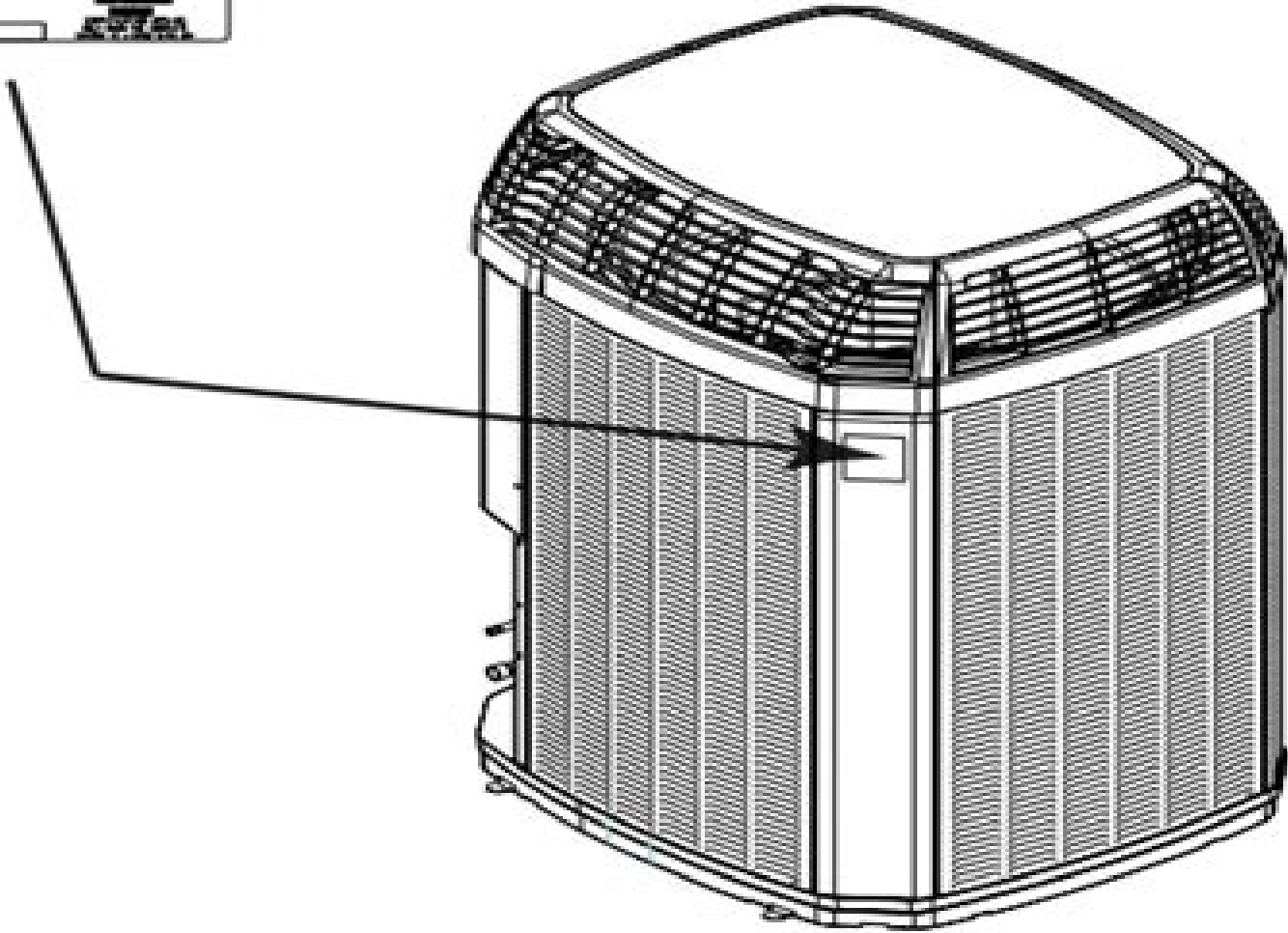


MFG. NO.		MFG. YR.	
SERIAL NO.	PH.	NO.	
BUSHING CIRCUIT AMPLACITY		AMPS	
OVERCURRENT PROTECTIVE DEVICE		USA CANADA	
MFG. TYPE / BREAKER (CHECK)			
	YES	NO	NOT
MFG. P.O. NO.			
MFG. DATE			
MFG. MODEL			
COMP. NO.	SLA	8	1/2
U.S. NO.	U.S.	8	1/2
U.S.A. NO.	U.S.	8	1/2



Guide Installer 4twx5 Trane

Charles J. Paschke



Guide Installer 4twx5 Trane:

Unveiling the Magic of Words: A Overview of "**Guide Installer 4twx5 Trane**"

In some sort of defined by information and interconnectivity, the enchanting power of words has acquired unparalleled significance. Their capability to kindle emotions, provoke contemplation, and ignite transformative change is truly awe-inspiring. Enter the realm of "**Guide Installer 4twx5 Trane**," a mesmerizing literary masterpiece penned with a distinguished author, guiding readers on a profound journey to unravel the secrets and potential hidden within every word. In this critique, we shall delve in to the book is central themes, examine its distinctive writing style, and assess its profound impact on the souls of its readers.

<http://www.armchairempire.com/book/virtual-library/fetch.php/Mathematics%20And%20Logic%20Dover%20Books%20On%20Mathematics.pdf>

Table of Contents Guide Installer 4twx5 Trane

1. Understanding the eBook Guide Installer 4twx5 Trane
 - The Rise of Digital Reading Guide Installer 4twx5 Trane
 - Advantages of eBooks Over Traditional Books
2. Identifying Guide Installer 4twx5 Trane
 - Exploring Different Genres
 - Considering Fiction vs. Non-Fiction
 - Determining Your Reading Goals
3. Choosing the Right eBook Platform
 - Popular eBook Platforms
 - Features to Look for in an Guide Installer 4twx5 Trane
 - User-Friendly Interface
4. Exploring eBook Recommendations from Guide Installer 4twx5 Trane
 - Personalized Recommendations
 - Guide Installer 4twx5 Trane User Reviews and Ratings

-
- Guide Installer 4twx5 Trane and Bestseller Lists
5. Accessing Guide Installer 4twx5 Trane Free and Paid eBooks
 - Guide Installer 4twx5 Trane Public Domain eBooks
 - Guide Installer 4twx5 Trane eBook Subscription Services
 - Guide Installer 4twx5 Trane Budget-Friendly Options
 6. Navigating Guide Installer 4twx5 Trane eBook Formats
 - ePub, PDF, MOBI, and More
 - Guide Installer 4twx5 Trane Compatibility with Devices
 - Guide Installer 4twx5 Trane Enhanced eBook Features
 7. Enhancing Your Reading Experience
 - Adjustable Fonts and Text Sizes of Guide Installer 4twx5 Trane
 - Highlighting and Note-Taking Guide Installer 4twx5 Trane
 - Interactive Elements Guide Installer 4twx5 Trane
 8. Staying Engaged with Guide Installer 4twx5 Trane
 - Joining Online Reading Communities
 - Participating in Virtual Book Clubs
 - Following Authors and Publishers Guide Installer 4twx5 Trane
 9. Balancing eBooks and Physical Books Guide Installer 4twx5 Trane
 - Benefits of a Digital Library
 - Creating a Diverse Reading Collection Guide Installer 4twx5 Trane
 10. Overcoming Reading Challenges
 - Dealing with Digital Eye Strain
 - Minimizing Distractions
 - Managing Screen Time
 11. Cultivating a Reading Routine Guide Installer 4twx5 Trane
 - Setting Reading Goals Guide Installer 4twx5 Trane
 - Carving Out Dedicated Reading Time
 12. Sourcing Reliable Information of Guide Installer 4twx5 Trane
 - Fact-Checking eBook Content of Guide Installer 4twx5 Trane
 - Distinguishing Credible Sources

-
13. Promoting Lifelong Learning
 - Utilizing eBooks for Skill Development
 - Exploring Educational eBooks
 14. Embracing eBook Trends
 - Integration of Multimedia Elements
 - Interactive and Gamified eBooks

Guide Installer 4twx5 Trane Introduction

Free PDF Books and Manuals for Download: Unlocking Knowledge at Your Fingertips In today's fast-paced digital age, obtaining valuable knowledge has become easier than ever. Thanks to the internet, a vast array of books and manuals are now available for free download in PDF format. Whether you are a student, professional, or simply an avid reader, this treasure trove of downloadable resources offers a wealth of information, conveniently accessible anytime, anywhere. The advent of online libraries and platforms dedicated to sharing knowledge has revolutionized the way we consume information. No longer confined to physical libraries or bookstores, readers can now access an extensive collection of digital books and manuals with just a few clicks. These resources, available in PDF, Microsoft Word, and PowerPoint formats, cater to a wide range of interests, including literature, technology, science, history, and much more. One notable platform where you can explore and download free Guide Installer 4twx5 Trane PDF books and manuals is the internet's largest free library. Hosted online, this catalog compiles a vast assortment of documents, making it a veritable goldmine of knowledge. With its easy-to-use website interface and customizable PDF generator, this platform offers a user-friendly experience, allowing individuals to effortlessly navigate and access the information they seek. The availability of free PDF books and manuals on this platform demonstrates its commitment to democratizing education and empowering individuals with the tools needed to succeed in their chosen fields. It allows anyone, regardless of their background or financial limitations, to expand their horizons and gain insights from experts in various disciplines. One of the most significant advantages of downloading PDF books and manuals lies in their portability. Unlike physical copies, digital books can be stored and carried on a single device, such as a tablet or smartphone, saving valuable space and weight. This convenience makes it possible for readers to have their entire library at their fingertips, whether they are commuting, traveling, or simply enjoying a lazy afternoon at home. Additionally, digital files are easily searchable, enabling readers to locate specific information within seconds. With a few keystrokes, users can search for keywords, topics, or phrases, making research and finding relevant information a breeze. This efficiency saves time and effort, streamlining the learning process and allowing individuals to focus on extracting the information they need. Furthermore, the availability of free PDF books and manuals fosters a culture of continuous learning. By removing

financial barriers, more people can access educational resources and pursue lifelong learning, contributing to personal growth and professional development. This democratization of knowledge promotes intellectual curiosity and empowers individuals to become lifelong learners, promoting progress and innovation in various fields. It is worth noting that while accessing free Guide Installer 4twx5 Trane PDF books and manuals is convenient and cost-effective, it is vital to respect copyright laws and intellectual property rights. Platforms offering free downloads often operate within legal boundaries, ensuring that the materials they provide are either in the public domain or authorized for distribution. By adhering to copyright laws, users can enjoy the benefits of free access to knowledge while supporting the authors and publishers who make these resources available. In conclusion, the availability of Guide Installer 4twx5 Trane free PDF books and manuals for download has revolutionized the way we access and consume knowledge. With just a few clicks, individuals can explore a vast collection of resources across different disciplines, all free of charge. This accessibility empowers individuals to become lifelong learners, contributing to personal growth, professional development, and the advancement of society as a whole. So why not unlock a world of knowledge today? Start exploring the vast sea of free PDF books and manuals waiting to be discovered right at your fingertips.

FAQs About Guide Installer 4twx5 Trane Books

What is a Guide Installer 4twx5 Trane PDF? A PDF (Portable Document Format) is a file format developed by Adobe that preserves the layout and formatting of a document, regardless of the software, hardware, or operating system used to view or print it. **How do I create a Guide Installer 4twx5 Trane PDF?** There are several ways to create a PDF: Use software like Adobe Acrobat, Microsoft Word, or Google Docs, which often have built-in PDF creation tools. Print to PDF: Many applications and operating systems have a "Print to PDF" option that allows you to save a document as a PDF file instead of printing it on paper. Online converters: There are various online tools that can convert different file types to PDF. **How do I edit a Guide Installer 4twx5 Trane PDF?** Editing a PDF can be done with software like Adobe Acrobat, which allows direct editing of text, images, and other elements within the PDF. Some free tools, like PDFescape or Smallpdf, also offer basic editing capabilities. **How do I convert a Guide Installer 4twx5 Trane PDF to another file format?** There are multiple ways to convert a PDF to another format: Use online converters like Smallpdf, Zamzar, or Adobe Acrobats export feature to convert PDFs to formats like Word, Excel, JPEG, etc. Software like Adobe Acrobat, Microsoft Word, or other PDF editors may have options to export or save PDFs in different formats. **How do I password-protect a Guide Installer 4twx5 Trane PDF?** Most PDF editing software allows you to add password protection. In Adobe Acrobat, for instance, you can go to "File" -> "Properties" -> "Security" to set a password to restrict access or editing capabilities. Are there any free alternatives to

Adobe Acrobat for working with PDFs? Yes, there are many free alternatives for working with PDFs, such as: LibreOffice: Offers PDF editing features. PDFsam: Allows splitting, merging, and editing PDFs. Foxit Reader: Provides basic PDF viewing and editing capabilities. How do I compress a PDF file? You can use online tools like Smallpdf, ILovePDF, or desktop software like Adobe Acrobat to compress PDF files without significant quality loss. Compression reduces the file size, making it easier to share and download. Can I fill out forms in a PDF file? Yes, most PDF viewers/editors like Adobe Acrobat, Preview (on Mac), or various online tools allow you to fill out forms in PDF files by selecting text fields and entering information. Are there any restrictions when working with PDFs? Some PDFs might have restrictions set by their creator, such as password protection, editing restrictions, or print restrictions. Breaking these restrictions might require specific software or tools, which may or may not be legal depending on the circumstances and local laws.

Find Guide Installer 4twx5 Trane :

[mathematics and logic dover books on mathematics](#)

math rules 3rd 4th grade 25 week enrichment challenge now includes of book

[mathias malzieu libri](#)

[match fixing in international sports match fixing in international sports](#)

math stories high school

[mathematics economics hoy livernois thi](#)

[mathematics explained for primary teachers 5th edition](#)

mathxl answer key statistics

math expressions homework & remembering grade 4 vol 1

[mathgeorgia common core pacing guide first grade](#)

[math in focus teachers edition book b grade 5 2009](#)

math progression chart

[math essentials high school level lessons and activities for test preparation](#)

[masterpieces mystery joseph lewis french](#)

maths intermediate 1 sqa past papers units 1 2 and applications

Guide Installer 4twx5 Trane :

[answer key chapter 7 chemistry 2e openstax - Nov 21 2022](#)

4 1 writing and balancing chemical equations 4 2 classifying chemical reactions 4 3 reaction stoichiometry 4 4 reaction yields
4 5 quantitative chemical analysis key terms key equations summary exercises

section chemical reactions 2 4 reinforcement salem - Dec 23 2022

section 2 4 chemical reactions reinforcement key concept life depends on chemical reactions at the most fundamental level every process that takes place in an organism depends on chemical reactions in a chemical reaction substances are changed into different substances by the breaking and forming of chemical bonds the substances that are

study guide and reinforcement answer key studylib net - Oct 01 2023

study guide and reinforcement 5 answer key section 2 7 by conduction 8 it condenses into water according to the law of conservation of mass matter cannot be created or destroyed therefore in a chemical equation the sum of the reactants must equal the sum of the products chapter 22 section 1 1 solution 2 polar 3 h₂ g cl₂ g

section 2 reinforcement classifying chemical reactions answer - Jun 16 2022

complete section 2 reinforcement classifying chemical reactions answer key online with us legal forms easily fill out pdf blank edit and sign them save or instantly send your ready documents

classifying chemical reactions chapter 19 section2 flashcards - Jul 30 2023

test match q chat created by dylanstolte terms in this set 13 combustion equation dicarbon hexahydride oxygen carbon dioxide water synthesis equation copper sulfur copper i sulfide decomposition equation copper i sulfide copper sulfur single displacement equation iron lead ii nitrate iron iii nitrate lead

section 2 reinforcement classifying chemical reactions answer - Sep 19 2022

section 2 reinforcement classifying requires the following information to be reported the type of reinforcement used the dimensions of the reinforcement the size and spacing of the reinforcement the weight of the reinforcement the type of concrete used and any other relevant details

physical and chemical changes section 2 reinforcement quizlet - Jun 28 2023

physical and chemical changes section 2 reinforcement science chapter 3 5 0 2 reviews flashcards learn test other signs of a chemical change are an odd odor or the formation of a or a solid gas weathering 2 melting ice 3 boiling water answers will vary list three changes that are chemical changes 1 food digesting in

science chapter 7 chemical reactions section 2 types of quizlet - Apr 26 2023

study with quizlet and memorize flashcards containing terms like classifying reactions name five general types of chemical reactions identify types of reactions with a general form synthesis identify types of reactions with a general form decomposition and more

section 1 reinforcement chemical formulas and equations answer - Feb 10 2022

12702 study guide for content mastery study guide for content mastery answer key chemistry matter for each of the following chemical reactions write a word equation a skeleton equation livingston org cms lib4 nj01000562 centricity domain 794 chapter 10 study

[unit 2 reinforcement pdf slideshare](#) - Mar 14 2022

oct 31 2010 unit 2 reinforcement 1 unit 2 reinforcement grammar vocabulary 1 unit 2 reinforcement vocabulary 1 circle the word that doesn't belong 1 sunscreen swimsuit sleeping bag surfboard 2 tent wetsuit backpack hiking boots 3 snorkel skis boots jacket 4 museum restaurant shopping centre pocketknife 2

[classifying chemical reactions mcgraw hill education](#) - Mar 26 2023

section 2 classifying chemical reactions this form changes settings for this website only to make changes to your user profile instead please click here floating navigation log in here to access teaching material for this site

8 chemical equations and reactions sharpschool - Oct 21 2022

a write the balanced chemical equation for the reaction that occurs when solutions of barium chloride and sodium carbonate are mixed refer to table 1 on page 437 in chapter 13 for solubility $\text{BaCl}_2 \text{ aq}$ $\text{Na}_2\text{CO}_3 \text{ aq}$ $\text{BaCO}_3 \text{ s}$ $2\text{NaCl} \text{ aq}$ b to which of the five basic types of reactions does this reaction belong double displacement 10

[answer key chapter 20 chemistry atoms first openstax](#) - Feb 22 2023

7 1 writing and balancing chemical equations 7 2 classifying chemical reactions 7 3 reaction stoichiometry 7 4 reaction yields 7 5 quantitative chemical analysis key terms key equations summary exercises

[section 2 reinforcement chemical equations answers pdf](#) - May 16 2022

section 2 reinforcement chemical equations answers 1 9 downloaded from uniport edu ng on september 9 2023 by guest

section 2 reinforcement chemical equations answers getting the books section 2 reinforcement chemical equations answers now is not type of challenging means you could not abandoned going gone book addition or

[section 2 reinforcement chemical equations answers](#) - Jan 24 2023

section 2 reinforcement chemical equations answers national 5 chemistry with answers second edition nov 20 2020 exam board sqa level national 5 subject chemistry first teaching september 2017 first exam summer 2018 the second edition of this textbook has been fully revised and updated to reflect changes made to the sqa syllabus from

[answer key chapter 1 chemistry 2e openstax](#) - Aug 19 2022

2 4 chemical formulas 2 5 the periodic table 2 6 ionic and molecular compounds 2 7 chemical nomenclature key terms key equations summary exercises

[chapter 7 chemical reactions pc mac](#) - Jul 18 2022

section 2 chemical equations a chemical equation uses symbols to represent a chemical reaction and shows the relationship

between the reactants and the products of a reaction in words carbon dioxide and water react to form glucose and oxygen gas CO_2

section 2 reinforcement classifying chemical reactions answer - Apr 14 2022

to sign a classifying chemical reactions section 2 reinforcement answer key right from your ipad or iphone just follow these short guidelines download and install the signnow application on the ios gadget make a free account using your electronic mail or log in via google or facebook add the pdf file you must esign

section 2 classifying chemical reactions answer key nitdgp - May 28 2023

section 2 reinforcement classifying chemical reactions answer key page 24 section 2 reinforcement classifying chemical reactions answer key after trading partners the balanced equation is $\text{C}_2\text{N}_2\text{O}_4$ left C_2H_2 left N_2 right CO_2 right H_2O right C_2H_2 left N_2 right CO_2 right think about your result

chapter 19 section 2 reinforcement classifying chemical - Aug 31 2023

dicarbon hexahydride oxygen carbon dioxide water synthesis equation copper sulfur copper i sulfide decomposition equation copper i sulfide copper sulfur single displacement equation iron lead ii nitrate iron iii nitrate

placement and evaluation package interchange third - Aug 15 2023

web sep 30 2008 placement and evaluation package interchange third edition passages second edition passages by jack c richards september 30 2008 cambridge

placement and evaluation package interchange third edition - Mar 10 2023

web published 2019 business placement and evaluation package interchange third placement and evaluation package interchange third edition placement and evaluation package interchange third edition placement and evaluation package interchange third edition interchange 1 for teacher pdf vocabulary teachers

placement and evaluation package interchange third - Mar 30 2022

web placement and evaluation package interchange third edition passages second edition wi pdf 178873 pdf downloaded from ftp popcake com by guest devan

placement and evaluation package interchange third - Nov 06 2022

web interchange third edition passages second edition wi pdf 178873 pdf passages level 1 student s book apr 19 2022 passages third edition is a two level multi skills course

interchange passages placement evaluation package 3rd edition - Aug 03 2022

web buy interchange passages placement and evaluation package by tay lesley christa hansen jean zukowski faust online at alibris with cd 3rd edition teacher s resource placement evaluation package 2 cds included interchange third edition passages second edition all levels placement and evaluation package

placement and evaluation package interchange third - Apr 30 2022

web interchange third edition passages second edition placement and evaluation package contains three versions of a placement test designed to help teachers

new interchange and passages placement and evaluation package - Apr 11 2023

web the interchange third edition passages second edition placement and evaluation package contains three versions of a placement test designed to help teachers

placement and evaluation package interchange third edition - Feb 09 2023

web aug 31 2008 the interchange third edition passages second edition placement and evaluation package contains three versions of a placement test designed to help teachers determine the level of interchange third edition or passages second edition best suited to their students

placement and evaluation package interchange third - Sep 04 2022

web sep 12 2023 inside their computer placement and evaluation package interchange third edition passages second edition wi pdf 178873 pdf is reachable in our digital

interchange passages placement and evaluation package alibris - Jun 01 2022

web aug 19 2023 placement and evaluation package interchange third edition passages second edition wi pdf 178873 pdf 2 7 downloaded from uniport edu ng on august 19

placement and evaluation package interchange third - Sep 23 2021

interchange third edition passages second edition all - Jul 14 2023

web aug 18 2008 the interchange third edition passages second edition placement and evaluation package contains three versions of a placement test designed to help

interchange third edition passages second edition - Jan 08 2023

web decoding placement and evaluation package interchange third edition passages second edition wi 178873 revealing the captivating potential of verbal expression in

placement and evaluation package interchange third - Jul 02 2022

web second edition wi 178873 discusses the basic science of the dental interface and its clinical applications contains important coverage on the monitoring and analysis of the

placement and evaluation package interchange third - Jan 28 2022

web placement and evaluation package interchange third edition passages second edition wi pdf 178873 pdf downloaded from ftp popcake com by guest whitehead

placement and evaluation package interchange third - Feb 26 2022

web vlsi placement and global routing using simulated annealing placement and evaluation package interchange third edition passages second edition wi pdf

placement and evaluation package interchange third - Jun 13 2023

web interchange third edition passages second edition all levels placement web aug 18 2008 the interchange third edition passages second edition placement and evaluation

placement and evaluation package interchange third - Dec 27 2021

web sep 3 2023 interchange third edition passages second edition wi pdf 178873 pdf also it is not directly done you could put up with even more on the order of this life

interchange placement and evaluation package goodreads - Dec 07 2022

web the interchange third edition passages second edition placement and evaluation package contains three versions of a placement test designed to help teachers

placement and evaluation package interchange third - Nov 25 2021

web sep 2 2023 evaluation package interchange third edition passages second edition wi pdf 178873 pdf as you such as by searching the title publisher or authors of guide

placement and evaluation package interchange third - Oct 25 2021

placement and evaluation package interchange third - Oct 05 2022

web may 16 2005 passages continues the popular interchange approach to listening and speaking by offering a communicative methodology that focuses on both fluency and accuracy it provides more opportunities to develop reading and writing abilities as well as more challenging content to develop students higher level thinking skills

interchange third edition passages second edition all - May 12 2023

web nov 25 2002 the new interchange passages placement and evaluation package contains three versions of a placement test designed to help teachers determine the

philadelphia eagles 2020 calendar takvim amazon com tr - Apr 08 2022

web philadelphia eagles 2020 calendar lang companies amazon com tr kitap Çerez tercihlerinizi seçin Çerez bildirimimizde ayrıntılı şekilde açıklandığı üzere alışveriş yapmanızı sağlamak alışveriş deneyiminizi iyileştirmek ve hizmetlerimizi sunmak için gerekli olan çerezleri ve benzer araçları kullanırız

philadelphia eagles 2021 postseason nfl schedule espn - Oct 14 2022

web espn has the full 2021 philadelphia eagles postseason nfl schedule includes game times tv listings and ticket information

for all eagles games

2023 philadelphia eagles schedule nfl cbssports com - Mar 07 2022

web aug 12 2023 full philadelphia eagles schedule for the 2023 season including dates opponents game time and game result information find out the latest game information for your favorite nfl team on

2020 philadelphia eagles schedule results the football - Jun 22 2023

web 2020 philadelphia eagles schedule and results all games played on sundays unless otherwise noted regular season pass c wentz phi 42 24 270 2 int 2 td d haskins was 31 17 178 0 int 1 td rush b scott phi 9 35 a gibson was 9 36 rec d goedert phi 8 101 1 td t mclaurin was 5 61 eagles vs washington box score

eagles announce 2020 season schedule philadelphia eagles - Mar 19 2023

web may 7 2020 eagles announce 2020 season schedule may 07 2020 at 07 30 pm philadelphiaeagles.com like the rest of the nfl we are preparing for the 2020 nfl season as scheduled and look forward to a great season

philadelphia eagles 2020 schedule pro football reference com - Jan 17 2023

web philadelphia eagles 2020 schedule seasons 88 1933 to 2020 record w l t 586 608 26 playoff record 23 23 super bowls won 1 3 appearances championships won 4 all time rushing leader lesean mccoy 1 461 att 6 792 yds 44 td all time receiving leader harold carmichael 589 rec 8 978 yds 79 td all time scoring leader david

philadelphia eagles wikipedia - May 09 2022

web the philadelphia eagles are a professional american football team based in philadelphia the eagles compete in the national football league nfl as a member club of the league s national football conference nfc east division the team plays its home games at lincoln financial field in the south philadelphia sports complex the

2020 philadelphia eagles rosters stats schedule team - Dec 16 2022

web 2020 eagles statistics advanced stats roster players games schedule team draftees injury report more on this page team stats and rankings schedule game results team conversions passing rushing receiving kick punt returns kicking punting defense fumbles scoring summary touchdown log opponent touchdown log full

philadelphia eagles - Apr 20 2023

web week 1 sun 09 13 final l 17 27 at washington commanders fedexfield gameday recap gamebook pdf postgame show week 2 sun 09 20 final l 19 37 los angeles rams lincoln financial field gameday recap gamebook pdf postgame show presented by week 3 sun 09 27 final t 23 23 cincinnati bengals lincoln

2020 philadelphia eagles season wikipedia - Feb 18 2023

web 2021 the 2020 season was the philadelphia eagles 88th in the national football league nfl and their fifth and final under head coach doug pederson they failed to improve on their 9 7 record from the previous season following a 23 17 loss to the

seattle seahawks in week 12

amazon com philadelphia eagles calendar - Feb 06 2022

web 1 48 of 138 results for philadelphia eagles calendar results price and other details may vary based on product size and color amazon s choice turner sports philadelphia eagles 2022 box calendar 22998051450 22 1598 free delivery wed aug 30 on 25 of items shipped by amazon philadelphia eagles 2024 12x12 team wall calendar by

philadelphia eagles 2020 regular season nfl schedule espn - Sep 25 2023

web eagles espn has the full 2020 philadelphia eagles regular season nfl schedule includes game times tv listings and ticket information for all eagles games

philadelphia eagles schedule - May 21 2023

web a game by game preview of the eagles 2023 schedule may 11 2023 dominick petrillo offers an overview of the teams that will stand in the eagles way this upcoming fall the eagles announced their 2023 schedule on thursday night mark your calendars and get ready for the upcoming season

philadelphia eagles 2020 games and schedule pro football reference com - Aug 24 2023

web sep 13 2020 games schedule

[nfl schedules team schedules nfl com](#) - Nov 15 2022

web philadelphia eagles washington commanders nfc north chicago bears detroit lions green bay packers minnesota vikings nfc south atlanta falcons carolina panthers new orleans saints

2020 philadelphia eagles schedule fbschedules com - Jul 23 2023

web season future philadelphia eagles opponents view the 2020 philadelphia eagles schedule at fbschedules com the schedule includes opponents date time and tv network

philadelphia eagles schedule 2023 24 nfl games - Jun 10 2022

web sep 10 2023 the eagles reclaim midseason glory plus mlb game 7 drama chris branch 40 full 2023 24 philadelphia eagles schedule scores opponents and dates of games for the entire season

philadelphia eagles news scores stats schedule nfl com - Sep 13 2022

web oct 22 2023 get the latest philadelphia eagles news find news video standings scores and schedule information for the philadelphia eagles

philadelphia eagles - Aug 12 2022

web the official source of philadelphia eagles headlines news videos photos tickets rosters stats schedule and gameday information go birds

philadelphia eagles 2023 regular season nfl schedule espn - Jul 11 2022

web espn has the full 2023 philadelphia eagles regular season nfl schedule includes game times tv listings and ticket information for all eagles games