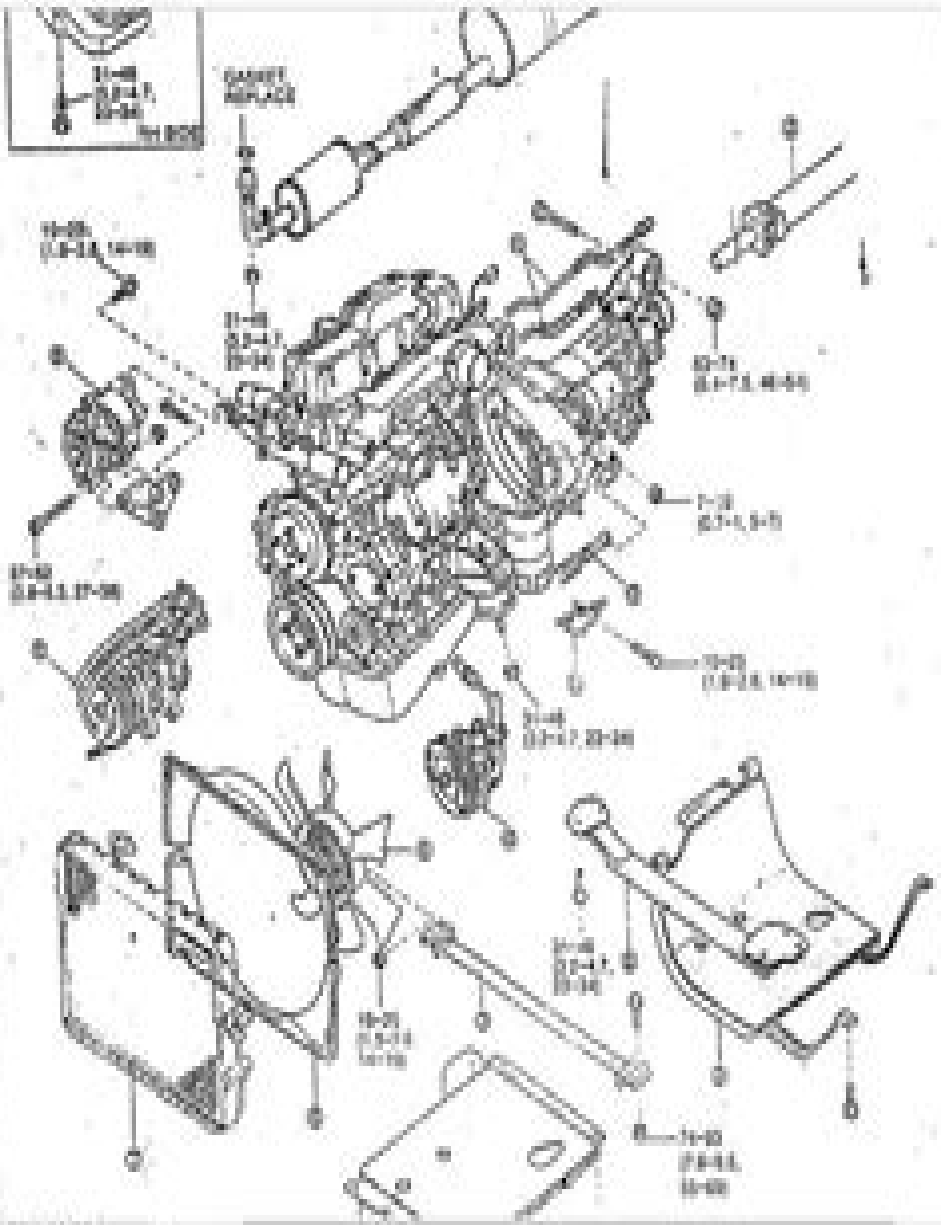




Page Thumbnails



# Kia Pregio Workshop Manual

**G Thomas**



## **Kia Pregio Workshop Manual:**

**Festiva Workshop Manual**, 1991     Sportage '02 Workshop Manual, 2001 Includes the 2.0 litre FE DOHC engine and the RF TCI engine     *Mentor Workshop Manual*, 1994     **Chilton's Kia Optima 2001-10 Repair Manual** Mike Stubblefield, 2012 This manual shows the reader how to repair the Kia Optima     *Sportage RHD Workshop Manual*, 1995  
*Kia Sephia & Spectra Automotive Repair Manual* Joe L. Hamilton, John Harold Haynes, 2005     **Chilton Kia Sephia, Spectra & Sportage 1994-10 Repair Manual** Joe L. Hamilton, 2011 Part of a series of manuals for car or motorcycle owners the Haynes Automotive Repair Manuals provide information on routine maintenance and repair with all tasks described photographed in a step by step sequence     **1994 Festiva Workshop Manual**, 1994     **Kia Sorento Automotive Repair Manual, 2003-13** Jeff Killingsworth, 2013-10-01 This is a repair manual for the Kia Sorento 2003 13 model     **Festiva** Ford Motor Company, 1991     **Kia Sedona Automotive Repair Manual**, 2016-04     **Clarus/Credos Workshop Manual Supplement** Kia Motors Corporation, 1998     Carus/Credos '98 Workshop Manual Supplement, 1998  
*Chilton's Kia Sephia & Spectra 1994-09 Repair Manual* Joe L. Hamilton, 2010 Covers all U S and Canadian models of Sephia 1994 through 2001 and Spectra 2000 through 2009     **Kia Sedona, '02-'14** Haynes Publishing, 2016-09-15 Complete coverage for your Kia Sedona for 2002 thru 2014     **Festiva Repair Manual**, 1996     **Chilton's Kia Sephia & Spectra 1994-04 Repair Manual** Joe L. Hamilton, 2005     **Kia Sedona 2002-14 Repair Manual** Jeff Killingsworth, 2016  
*Kia Optima* Editors of Haynes Manuals, 2012-03-15 Haynes offers the best coverage for cars trucks vans SUVs and motorcycles on the market today Each manual contains easy to follow step by step instructions linked to hundreds of photographs and illustrations Included in every manual troubleshooting section to help identify specific problems tips that give valuable short cuts to make the job easier and eliminate the need for special tools notes cautions and warnings for the home mechanic color spark plug diagnosis and an easy to use index     Carnival/Sedona 2002 Workshop Manual, 2001 Part no AFSL EE 17C KJ 2.9 TCI diesel engine on this workshop manual is the same model with the certified J3 TCI diesel engine Covers the GV6 DOHC gasoline engine and the J2.9 TCI diesel engine

Immerse yourself in the artistry of words with is expressive creation, Discover the Artistry of **Kia Pregio Workshop Manual** . This ebook, presented in a PDF format ( \*), is a masterpiece that goes beyond conventional storytelling. Indulge your senses in prose, poetry, and knowledge. Download now to let the beauty of literature and artistry envelop your mind in a unique and expressive way.

<http://www.armchairempire.com/public/publication/Documents/Grove%20Rt522%20Crane%20Manual.pdf>

## **Table of Contents Kia Pregio Workshop Manual**

1. Understanding the eBook Kia Pregio Workshop Manual
  - The Rise of Digital Reading Kia Pregio Workshop Manual
  - Advantages of eBooks Over Traditional Books
2. Identifying Kia Pregio Workshop Manual
  - Exploring Different Genres
  - Considering Fiction vs. Non-Fiction
  - Determining Your Reading Goals
3. Choosing the Right eBook Platform
  - Popular eBook Platforms
  - Features to Look for in an Kia Pregio Workshop Manual
  - User-Friendly Interface
4. Exploring eBook Recommendations from Kia Pregio Workshop Manual
  - Personalized Recommendations
  - Kia Pregio Workshop Manual User Reviews and Ratings
  - Kia Pregio Workshop Manual and Bestseller Lists
5. Accessing Kia Pregio Workshop Manual Free and Paid eBooks
  - Kia Pregio Workshop Manual Public Domain eBooks
  - Kia Pregio Workshop Manual eBook Subscription Services
  - Kia Pregio Workshop Manual Budget-Friendly Options

6. Navigating Kia Pregio Workshop Manual eBook Formats
  - ePub, PDF, MOBI, and More
  - Kia Pregio Workshop Manual Compatibility with Devices
  - Kia Pregio Workshop Manual Enhanced eBook Features
7. Enhancing Your Reading Experience
  - Adjustable Fonts and Text Sizes of Kia Pregio Workshop Manual
  - Highlighting and Note-Taking Kia Pregio Workshop Manual
  - Interactive Elements Kia Pregio Workshop Manual
8. Staying Engaged with Kia Pregio Workshop Manual
  - Joining Online Reading Communities
  - Participating in Virtual Book Clubs
  - Following Authors and Publishers Kia Pregio Workshop Manual
9. Balancing eBooks and Physical Books Kia Pregio Workshop Manual
  - Benefits of a Digital Library
  - Creating a Diverse Reading Collection Kia Pregio Workshop Manual
10. Overcoming Reading Challenges
  - Dealing with Digital Eye Strain
  - Minimizing Distractions
  - Managing Screen Time
11. Cultivating a Reading Routine Kia Pregio Workshop Manual
  - Setting Reading Goals Kia Pregio Workshop Manual
  - Carving Out Dedicated Reading Time
12. Sourcing Reliable Information of Kia Pregio Workshop Manual
  - Fact-Checking eBook Content of Kia Pregio Workshop Manual
  - Distinguishing Credible Sources
13. Promoting Lifelong Learning
  - Utilizing eBooks for Skill Development
  - Exploring Educational eBooks
14. Embracing eBook Trends
  - Integration of Multimedia Elements

- Interactive and Gamified eBooks

## **Kia Pregio Workshop Manual Introduction**

Free PDF Books and Manuals for Download: Unlocking Knowledge at Your Fingertips In today's fast-paced digital age, obtaining valuable knowledge has become easier than ever. Thanks to the internet, a vast array of books and manuals are now available for free download in PDF format. Whether you are a student, professional, or simply an avid reader, this treasure trove of downloadable resources offers a wealth of information, conveniently accessible anytime, anywhere. The advent of online libraries and platforms dedicated to sharing knowledge has revolutionized the way we consume information. No longer confined to physical libraries or bookstores, readers can now access an extensive collection of digital books and manuals with just a few clicks. These resources, available in PDF, Microsoft Word, and PowerPoint formats, cater to a wide range of interests, including literature, technology, science, history, and much more. One notable platform where you can explore and download free Kia Pregio Workshop Manual PDF books and manuals is the internet's largest free library. Hosted online, this catalog compiles a vast assortment of documents, making it a veritable goldmine of knowledge. With its easy-to-use website interface and customizable PDF generator, this platform offers a user-friendly experience, allowing individuals to effortlessly navigate and access the information they seek. The availability of free PDF books and manuals on this platform demonstrates its commitment to democratizing education and empowering individuals with the tools needed to succeed in their chosen fields. It allows anyone, regardless of their background or financial limitations, to expand their horizons and gain insights from experts in various disciplines. One of the most significant advantages of downloading PDF books and manuals lies in their portability. Unlike physical copies, digital books can be stored and carried on a single device, such as a tablet or smartphone, saving valuable space and weight. This convenience makes it possible for readers to have their entire library at their fingertips, whether they are commuting, traveling, or simply enjoying a lazy afternoon at home. Additionally, digital files are easily searchable, enabling readers to locate specific information within seconds. With a few keystrokes, users can search for keywords, topics, or phrases, making research and finding relevant information a breeze. This efficiency saves time and effort, streamlining the learning process and allowing individuals to focus on extracting the information they need. Furthermore, the availability of free PDF books and manuals fosters a culture of continuous learning. By removing financial barriers, more people can access educational resources and pursue lifelong learning, contributing to personal growth and professional development. This democratization of knowledge promotes intellectual curiosity and empowers individuals to become lifelong learners, promoting progress and innovation in various fields. It is worth noting that while accessing free Kia Pregio Workshop Manual PDF books and manuals is convenient and cost-effective, it is vital to respect copyright laws and intellectual property rights. Platforms offering free downloads often operate within legal boundaries,

ensuring that the materials they provide are either in the public domain or authorized for distribution. By adhering to copyright laws, users can enjoy the benefits of free access to knowledge while supporting the authors and publishers who make these resources available. In conclusion, the availability of Kia Pregio Workshop Manual free PDF books and manuals for download has revolutionized the way we access and consume knowledge. With just a few clicks, individuals can explore a vast collection of resources across different disciplines, all free of charge. This accessibility empowers individuals to become lifelong learners, contributing to personal growth, professional development, and the advancement of society as a whole. So why not unlock a world of knowledge today? Start exploring the vast sea of free PDF books and manuals waiting to be discovered right at your fingertips.

### **FAQs About Kia Pregio Workshop Manual Books**

How do I know which eBook platform is the best for me? Finding the best eBook platform depends on your reading preferences and device compatibility. Research different platforms, read user reviews, and explore their features before making a choice. Are free eBooks of good quality? Yes, many reputable platforms offer high-quality free eBooks, including classics and public domain works. However, make sure to verify the source to ensure the eBook credibility. Can I read eBooks without an eReader? Absolutely! Most eBook platforms offer webbased readers or mobile apps that allow you to read eBooks on your computer, tablet, or smartphone. How do I avoid digital eye strain while reading eBooks? To prevent digital eye strain, take regular breaks, adjust the font size and background color, and ensure proper lighting while reading eBooks. What the advantage of interactive eBooks? Interactive eBooks incorporate multimedia elements, quizzes, and activities, enhancing the reader engagement and providing a more immersive learning experience. Kia Pregio Workshop Manual is one of the best book in our library for free trial. We provide copy of Kia Pregio Workshop Manual in digital format, so the resources that you find are reliable. There are also many Ebooks of related with Kia Pregio Workshop Manual. Where to download Kia Pregio Workshop Manual online for free? Are you looking for Kia Pregio Workshop Manual PDF? This is definitely going to save you time and cash in something you should think about. If you trying to find then search around for online. Without a doubt there are numerous these available and many of them have the freedom. However without doubt you receive whatever you purchase. An alternate way to get ideas is always to check another Kia Pregio Workshop Manual. This method for see exactly what may be included and adopt these ideas to your book. This site will almost certainly help you save time and effort, money and stress. If you are looking for free books then you really should consider finding to assist you try this. Several of Kia Pregio Workshop Manual are for sale to free while some are payable. If you arent sure if the books you would like to download works with for usage along with your computer, it is possible to download free trials. The free guides

make it easy for someone to free access online library for download books to your device. You can get free download on free trial for lots of books categories. Our library is the biggest of these that have literally hundreds of thousands of different products categories represented. You will also see that there are specific sites catered to different product types or categories, brands or niches related with Kia Pregio Workshop Manual. So depending on what exactly you are searching, you will be able to choose e books to suit your own need. Need to access completely for Campbell Biology Seventh Edition book? Access Ebook without any digging. And by having access to our ebook online or by storing it on your computer, you have convenient answers with Kia Pregio Workshop Manual To get started finding Kia Pregio Workshop Manual, you are right to find our website which has a comprehensive collection of books online. Our library is the biggest of these that have literally hundreds of thousands of different products represented. You will also see that there are specific sites catered to different categories or niches related with Kia Pregio Workshop Manual So depending on what exactly you are searching, you will be able to choose ebook to suit your own need. Thank you for reading Kia Pregio Workshop Manual. Maybe you have knowledge that, people have search numerous times for their favorite readings like this Kia Pregio Workshop Manual, but end up in harmful downloads. Rather than reading a good book with a cup of coffee in the afternoon, instead they juggled with some harmful bugs inside their laptop. Kia Pregio Workshop Manual is available in our book collection an online access to it is set as public so you can download it instantly. Our digital library spans in multiple locations, allowing you to get the most less latency time to download any of our books like this one. Merely said, Kia Pregio Workshop Manual is universally compatible with any devices to read.

### **Find Kia Pregio Workshop Manual :**

[grove rt522 crane manual](#)

[gro mutters k che tischkalender 2016 quer](#)

[grn soll die erde bleiben](#)

**griechenland kalender 2016 photon verlag**

**grote gellustreerde kunstgeschiedenis deel 17 lexicon 2**

[grundriss einer geschichte botanik russland](#)

[ground handling manuals](#)

[gst707 good study guide](#)

**guangzhou travel guide**

**grondslagen der geneeskunde deel 2 interne ziekteleer**

[growth is dead now what law firms on the brink](#)



[guardians of the galaxy solo classic omnibus](#)

[guerrilla marketing excellence the 50 golden rules for small business success](#)

**grundz ge geschichtlichen grammatik deutschen sprache**

**groete uit alaska**

### **Kia Pregio Workshop Manual :**

**management accounting debarshi bhattacharyya google books** - Jun 13 2023

web amazon com accounting for management text and cases 9780706928976 bhattacharyya s k dearden john koppikar y m books

[financial accounting for business managers kindle edition](#) - Aug 03 2022

web jan 1 2010 management accounting bhattacharyya on amazon com free shipping on qualifying offers management accounting

*financial accounting for business managers amazon in* - Mar 30 2022

web financial accounting for business managers mining intelligence and knowledge exploration the everything accounting book compensation management

**accounting for management text and cases amazon com** - Apr 11 2023

web accounting for management text and cases by s k bhattacharyya goodreads accounting accounting for managers pdf homepage

[financial accounting for business managers fifth](#) - Mar 10 2023

web accounting for management text and cases s k bhattacharyya bathroom dearden 5 00 1 rating 0 reviews want to read bought on amazon charge this book

**financial accounting for business managers** - Sep 04 2022

web jan 1 2016 primarily intended for the first course in financial accounting for the postgraduate students of management this systematically organized text discusses the

**financial accounting for business managers archive org** - Apr 30 2022

web buy financial accounting for business managers pdf online by asish k bhattacharyya 2022 edition download financial accounting for business managers book free

**accounting for management text and cases** - Dec 07 2022

web amazon in buy accounting for management text and cases 3th edition book online at best prices in india on amazon in read accounting for management text and cases

accounting for management text and cases 3th edition - Oct 05 2022

web financial accounting for business managers kindle edition primarily intended for the first course in financial accounting for the postgraduate students of management this

**management accounting by bhattacharya debarshi 2022** - Jan 28 2022

web the accounting for managers course describes how accounting transactions are compiled into financial statements and how information about company performance can

*accounting and finance for managers training course in* - Nov 25 2021

**accounting for management text and cases s** - May 12 2023

web sep 14 2016 asish k bhattacharyya phi learning pvt ltd sep 14 2016 business economics 800 pages primarily intended for the first course in financial

accounting for management text and cases by s k - Jan 08 2023

web accounting for management is a comprehensive textbook designed especially for post graduate students of business management it takes a practice oriented approach to

**accounting for management battacharya sql1 viewber co uk** - Dec 27 2021

web istanbul istanbul turkey this page shows a selection of the available bachelors programmes in turkey if you re interested in studying a accounting degree in turkey

bachelor s degrees in accounting in turkey bachelorsportal com - Oct 25 2021

*accounting for management text and cases 3e by* - Jul 14 2023

web debarshi bhattacharyya pearson education india 2011 accounting 781 pages management accounting is a comprehensive textbook with a focus on the essentials

**accounting for management text and cases by s k** - Feb 09 2023

web buy accounting for management text and cases by s k bhattacharyya john dearden s venkatesh pdf online isbn 9788125905530 from vikas publishing

financial accounting for business managers kopykitab - Feb 26 2022

web 2 accounting for management battacharya 2022 08 10 pannell kerr forster associates uk financial accounting for business managers 3rd ed vikas publishing house

**accounting for management text and cases by bhattacharya** - Nov 06 2022

web sep 12 2012 asish k bhattacharyya phi learning pvt ltd sep 12 2012 business economics 772 pages primarily intended

for the first course in financial

**financial accounting for business managers bhattacharyya** - Jul 02 2022

web financial accounting for business managers bhattacharyya asish k free download borrow and streaming internet archive

**management accounting bhattacharyya 9788131731789** - Jun 01 2022

web amazon in buy financial accounting for business managers book online at best prices in india on amazon in read financial accounting for business managers book reviews

accounting for management text and cases 3th edition - Aug 15 2023

web nov 1 2009 bhattacharyya s k dearden john vikas publishing house nov 1 2009 business economics 415 pages this book incorporates the refinements in the

*pack 201 horizontal flow wrapper application information pdf* - Jun 13 2023

web may 11 2018 443 views 5 years ago to purchase or view details about this bosch pack 201 horizontal flow wrapper for sale by sigma equipment visit

**pack 201 sigma equipment** - Mar 30 2022

web bakery equipment

**doboy horizontal wrapper for bosch pack 201 compact** - Jul 02 2022

web used bosch doboy model pack 201 horizontal flow wrapper stock 70584059 aekpackaging 864 subscribers subscribe 1 7k views 4 years ago

*bosch pack 201 horizontal flow wrapper youtube* - Feb 09 2023

web jul 29 2019 2 390 views 3 years ago this is a functional video of a bosch pack 201 servo stainless steel flow wrapper to view full description visit

**bosch model pack 201 250 ppm s s horizontal flow wrapper** - Nov 06 2022

web title unleash efficiency and precision with the used bosch doboy pack 201 horizontal wrapper description overview discover the remarkable capabilities of the bosch

**pack 201 bosh wrapper secure4 khronos** - Oct 25 2021

**syntegon pack 201 horizontal flow wrapper pro pac** - May 12 2023

web bosch model pack 201 horizontal flow wrapper up to 250 packages per minute depending on product and materials stainless steel construction capacity pack 201

**bosch pack201hs manuals manualslib** - Apr 30 2022

web doboy model 201 2 up horizontal continuous motion wrapper rated from 50 to 150 packages per minute depending on

materials application and machine configuration

*bosch pack 201 wrapping machines machinetools com* - Aug 15 2023

web a large variety of mid range multi purpose applications are covered by the pack 201 wrapper it is ideal for applications where flexibility and fast changeovers are required

*bosch horizontal flow wrapper model pack 201* - Mar 10 2023

web item sold need one of these bosch model pack 201 s s horizontal flow wrapper with 428 inch long extended lug infeed up to 250 packages per min heated crimp

bosch horizontal flow wrapper model pack 201 1385 equipack - Jan 08 2023

web jan 3 2009 following the pack 201 launched in 2006 bosch packaging technology launches the new pack 201 fv the medium speed horizontal flow wrapper is designed

**bosch wrapper horiz wrapper 201 for sale r25840 fraim** - Dec 27 2021

bosch pack 201 horizontal flow wrapper aaron equipment - Jan 28 2022

bosch pack 201 horizontal flow wrapper wotol - Apr 11 2023

web bosch packaging technology pack 201 flow wrapper we have available in constanta an equipment for paper wrapper for ow bottles the equipment was used only for 1 year

*used bosch doboy model pack 201 horizontal flow wrapper* - Feb 26 2022

web jun 26 2023 you endeavor to acquire and implement the pack 201 bosh wrapper it is entirely easy then currently we extend the associate to buy and create bargains to

bosch doboy pack 201 horizontal wrapper youtube - Jun 01 2022

web description used bosch doboy model pack 201 horizontal flow wrapper capable of speeds up to 100 packages per minute depending on product stainless steel product

**bosch packaging technology pack 201 flow wrapper equipnet** - Dec 07 2022

web flexible horizontal wrapper pack 201 u ideal for applications where flexibility and fast changeovers are required u proven reliable technology uses high quality parts

**bosch wrappers pack 201 pdf pdf science engineering** - Aug 03 2022

web pack 201 products ideal for mid speed multi product applications the pack 201 can wrap individual or grouped products including bakery goods bars trays fresh and frozen

**bosch pack201hs instruction manual pdf** - Jul 14 2023

web application information products automation and speed capabilities your benefits ideal for mid speed multi product the pack 201 easily integrates with flexible applications the

**bosch pack 201 servo stainless steel flow wrapper sigma** - Oct 05 2022

web jul 22 2021 used bosch doboy pack 201 horizontal wrapper unit built in 2007 stainless steel frame servo driven infeed fin wheel and cutting head 1 up crimper

*new pack 201 flow wrapper from bosch gentle packaging of* - Sep 04 2022

web we have 1 bosch pack201hs manual available for free pdf download instruction manual bosch pack201hs instruction manual 129 pages brand bosch category stretch

bakery equipment - Nov 25 2021

**format slip setoran bank mandiri excel belajar** - Jun 23 2022

web slip setoran ialah slip yang di gunakan untuk menyeter uang ke bank sedangkan slip penarikan ialah adalah slip yang di gunakan untuk mengambil uang dari bank 11 apa itu slip tagihan dan slip setoran slip tagihan adalah surat untuk menagih seseorang untuk membayarsesuatulip setoran adalah surat yg digunakan utk menyeter suatu benda 12

format slip setoran bank bca excel rajin belajar - Aug 26 2022

web feb 6 2023 1 slip setoran bca bahasa inggris 2 sebutkan kelebihan dan kekurangan dari slip penarikan dan slip penyeteran dri bank rakyat indonesia bri 3 berikut bagian slip setoran yang diisi oleh pihak bank kecuali 4 bagaimana cara membuat procedure text tentang cara mengisi slip setoran di bank 5 apa perbedaan antara slip setoran dan

**pdf penjelasan slip penarikan bank bpd pdf academia edu** - Jul 25 2022

web buku ini berisi materi ajar tentang pengenalan dasar dunia perbankan dimana materi terdii dari 14 bab yang terdiri dari uang bank sumber dana bank pendanaan bank suku bunga jasa bank bank indonesia bank syariah pasar modal valuta asing dana pensiun kartu kredit lembaga keuangan internasional otoritas jasa keuangan ojk

cara membuat slip setoran bank di excel tutorial membuat - Oct 28 2022

web sep 3 2021 formulir yang excelmaniacs gunakan untuk aplikasi excel cetak slip setoran bank ini adalah formulir kiriman uang dari bank proses pengisian slip setoran hampir sama seperti penulisan cek yaitu anda harus mengisi krishand cek giro adalah program untuk membatu membuat cek giro slip setoran bank slip kliring atau transfer bank

**cara isi slip setoran bri di teller infoperbankan** - Mar 21 2022

web sep 6 2017 keterangan transfer setoran jumlah uang yang ingin ditransfer dalam angka jumlah uang yang ingin ditransfer dalam huruf terbilang tanda tangan itulah data yang harus anda isi di slip setoran bri oiya jika anda setor ke rekening pribadi maka disarankan untuk membawa buku tabungan dan ktp ya

**pengertian slip setoran cekricek id** - Mar 01 2023

web oct 11 2022 pengertian slip setoran adalah formulir yang ditandatangani nasabah atau penyetor diisi dengan perincian setorannya menurut jenis seperti tunai cek dan bilyet giro dokumen ini dapat dijadikan sebagai referensi apabila terdapat perbedaan antara pencatatan bank dan pencatatan nasabah

cara mengisi slip setoran bank mandiri dengan mudah - Jan 31 2023

web oct 3 2023 cara mengisi slip setoran bank mandiri saat pertama kali melakukan transaksi melalui teller tidak jarang nasabah masih mengalami kesulitan terutama dalam pengisian slip setoran slip setoran merupakan suatu formulir berupa kertas kecil yang berisi tentang jumlah rincian informasi terkait uang yang akan disetorkan

**arti deposit slip di kamus bisnis bank akuntansi glosarium** - Dec 30 2022

web jul 30 2023 deposit slip slip setoran adalah suatu formulir yang harus diisi sebagai bukti transaksi penyetoran uang baik setoran tunai setoran warkat kliring atau cek bank yang bersangkutan untuk dibukukan kedalam rekening tertentu yang ditulis dalam deposit slip 10 sumber praktik perbankan

**teller bank pengertian tugas dan kemampuan yang harus** - Feb 17 2022

web jun 11 2023 secara umum teller bank atau frontliner adalah pegawai bank yang bertugas melayani nasabah terkait keperluan perbankan berupa transfer uang penyimpanan uang pencairan cek deposito dan sebagainya jika ingin menjadi teller bank kamu harus siap menjadi garda terdepan dalam membantu nasabah

3 cara untuk mengisi slip setoran wikihow - Jul 05 2023

web metode 1 mengumpulkan informasi dasar anda unduh pdf 1 siapkan informasi rekening anda anda pasti ingin memastikan bahwa uang yang anda setorkan masuk ke rekening yang benar ini sangatlah penting jika anda memiliki lebih dari satu rekening pada bank yang sama jika anda tidak ingat nomor rekening tersebut bawalah buku cek

**slip setoran cara mudah membayar dan merekam transaksi ke** - Sep 07 2023

web oct 29 2023 slip setoran adalah selebar dokumen kecil yang menyediakan ruang untuk anda mencatat detail transaksi anda seperti jumlah uang yang disetorkan tanggal transaksi dan juga keterangan tambahan jika diperlukan lebih baik lagi sekarang slip setoran juga bisa dicetak dari kenyamanan rumah anda sendiri

*bukti setoran bank bca panduan lengkap dan informatif untuk* - May 03 2023

web aug 5 2023 terdapat berbagai jenis bukti setoran yang dapat digunakan salah satunya adalah bukti setoran bank bca dalam panduan ini kami akan memberikan informasi lengkap mengenai bukti setoran bank bca dan bagaimana cara menggunakannya untuk memverifikasi transaksi anda dengan mudah

**bank slip homecare24** - Sep 26 2022

web jika anda kehabisan slip setoran bank anda harus mendapatkan slip baru dari bank sebelum dapat melakukan setoran

lagi keterbatasan informasi slip setoran bank umumnya hanya mencatat informasi dasar tentang  
*contoh deposit slip bca dan cara mengisinya yang benar* - Nov 28 2022

web apr 9 2020 secara umum deposit ini bisa diartikan sebagai slip setoran atau bukti setoran biasanya nasabah yang tidak mengerti akan diberi panduan dan contoh deposit slip namun dalam beberapa kesempatan contoh deposit slip bisa saja tidak bisa kamu dapatkan sehingga kamu bisa saja kebingungan dalam mengisinya

*apa itu slip setoran hisham id* - Oct 08 2023

web nov 20 2021 slip setoran adalah formulir tercetak yang menyertai setoran bank deposan mengisi slip untuk menunjukkan jenis dana apa yang disetorkan dan rekening mana yang harus disetorkan dalam beberapa kasus bank akan mencetak formulir dengan informasi rekening dan memasukkannya ke dalam buku cek

slip setoran apa itu - Apr 02 2023

web jun 3 2016 apa itu slip setoran slip setoran adalah formulir yang ditandatangani nasabah atau penyetor diisi dengan perincian setorannya menurut jenis seperti tunai cek dan bilyet giro dokumen ini dapat dijadikan sebagai referensi apabila terdapat perbedaan antara pencatatan bank dan pencatatan nasabah biasanya bank memelihara dokumen

bukti transaksi pengertian jenis macam dan manfaatnya - Aug 06 2023

web may 27 2022 bukti transaksi adalah dokumen tertulis yang berfungsi untuk mendata segala jenis transaksi dalam perusahaan simak jenis dan manfaatnya di sini

*5 cara mengisi slip penyetoran bank bri lengkap 2023* - Apr 21 2022

web biasanya di bank baik cabang maupun pusat akan memberikan contoh slip penyetoran yang sudah diisi 3 perhatikan jenis slip nasabah perlu memperhatikan judul slip penyetoran di bank jangan sampai salah mengambil pasalnya pada meja slip terdapat banyak jenis kertas slip atau formulir

**slip setoran bank homecare24** - Jun 04 2023

web oct 7 2023 slip setoran bank daftar isi cara mengisi slip setoran dan transfer di bank 1 mempersiapkan slip setoran 2 mengisi data pribadi a nama b nomor rekening 3 mengisi data transaksi a jenis transaksi b nominal transaksi 4 mengisi data rekening tujuan a nama bank b nomor rekening tujuan 5 mengisi data lainnya 6 memeriksa

**arti penjelasan istilah deposit slip adalah** - May 23 2022

web deposit slip digunakan dalam bisnis sebagai alat untuk mengajukan setoran ke rekening bank berikut adalah contoh penggunaan deposit slip misalkan ada seorang pemilik toko yang ingin menyetor uang tunai hasil penjualan harian ke rekening bisnisnya