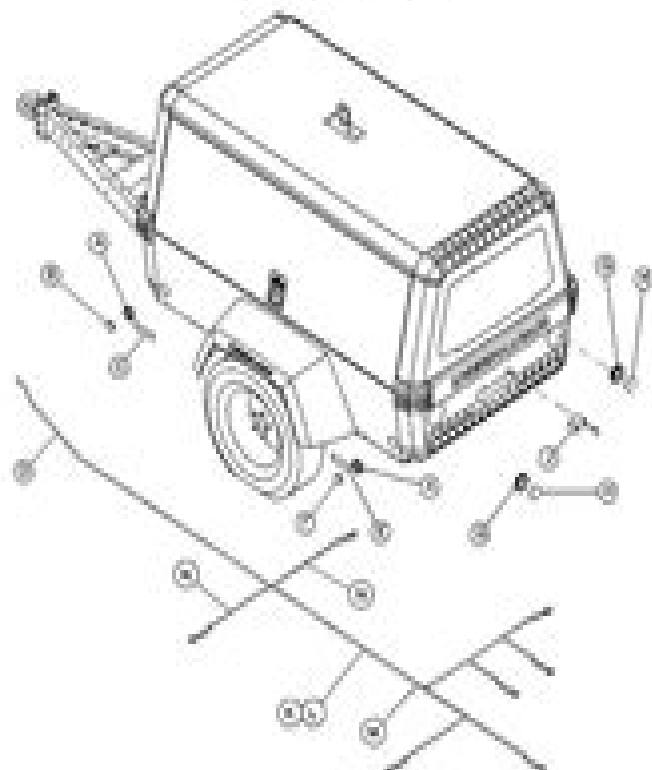


TAIL LIGHT and BRAKE WIRING

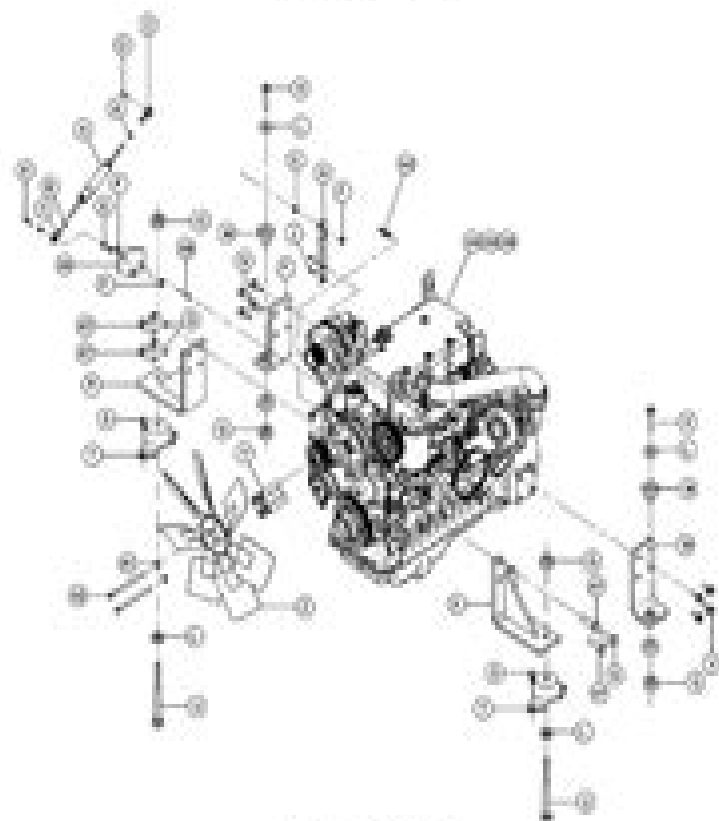


220196L_07_0401_A

ITEM	COMP. NO.	DESCRIPTION	QTY	DIMENSIONS/NOTES
A	3009034	BRACKET, CLEARANCE LIGHT	4	
B	3020701	LIGHT, AMBER CLEARANCE	2	
C	3004616	REFLECTOR, AMBER	2	
D	3003106	HARNES, 2 LIGHT	1	
E	3004608	REFLECTOR, RED	2	
F	3020704	LIGHT, RED CLEARANCE	2	
G	3078768	BRACKET, TAIL LIGHT	2	
H	3078801	LIGHT, COMBO TAIL	2	
J	3470488	LIGHT, LICENSE	1	
K	3020008	CLAMP, 3/8	6	
L	30219025	SCREW, HEX TAPPING M08-1.25 X 20	2	
M	3020077	CLAMP, 3/8	2	
N	3003174	CLAMP, 1/4	2	

A-11

ENGINE and MOUNTS



220196L_08_0101_B

ITEM	COMP. NO.	DESCRIPTION	QTY	DIMENSIONS/NOTES
A	3000005	CYLINDER, PNEUMATIC	1	
B	3020074	NUT, HEX JAM 5/16-24	2	
C	3020067	BEARING, ROD END	2	
D	3070481	SCREW, HEX M08-1.0 X 20	2	
E	3000026	WASHER, FLAT	2	
F	3070002	NUT, HEX LOCKING M08-1.0	2	
G	3000047	NUT, HEX NYLOC W/2X1.75	4	
H	2040089	BRACKET, AIR CYLINDER MOUNTING	1	
J	3070076	SCREW, HEX M08-1.25 X 16	2	
K	3070072	SCREW, HEX M10-1.75 X 60	2	
L	3020005	WASHER, THICKER	4	

A-12

Ingersoll Rand Diesel Air Compressors Service Manual

Daniela Niemeyer



Ingersoll Rand Diesel Air Compressors Service Manual:

Getting the books **Ingersoll Rand Diesel Air Compressors Service Manual** now is not type of inspiring means. You could not without help going taking into account books collection or library or borrowing from your connections to gain access to them. This is an completely simple means to specifically acquire guide by on-line. This online notice Ingersoll Rand Diesel Air Compressors Service Manual can be one of the options to accompany you taking into account having extra time.

It will not waste your time. say yes me, the e-book will very aerate you extra matter to read. Just invest tiny mature to admission this on-line pronouncement **Ingersoll Rand Diesel Air Compressors Service Manual** as well as evaluation them wherever you are now.

http://www.armchairempire.com/public/uploaded-files/HomePages/kaeser_sk_20_operation_manual.pdf

Table of Contents Ingersoll Rand Diesel Air Compressors Service Manual

1. Understanding the eBook Ingersoll Rand Diesel Air Compressors Service Manual
 - The Rise of Digital Reading Ingersoll Rand Diesel Air Compressors Service Manual
 - Advantages of eBooks Over Traditional Books
2. Identifying Ingersoll Rand Diesel Air Compressors Service Manual
 - Exploring Different Genres
 - Considering Fiction vs. Non-Fiction
 - Determining Your Reading Goals
3. Choosing the Right eBook Platform
 - Popular eBook Platforms
 - Features to Look for in an Ingersoll Rand Diesel Air Compressors Service Manual
 - User-Friendly Interface
4. Exploring eBook Recommendations from Ingersoll Rand Diesel Air Compressors Service Manual
 - Personalized Recommendations
 - Ingersoll Rand Diesel Air Compressors Service Manual User Reviews and Ratings
 - Ingersoll Rand Diesel Air Compressors Service Manual and Bestseller Lists

5. Accessing Ingersoll Rand Diesel Air Compressors Service Manual Free and Paid eBooks
 - Ingersoll Rand Diesel Air Compressors Service Manual Public Domain eBooks
 - Ingersoll Rand Diesel Air Compressors Service Manual eBook Subscription Services
 - Ingersoll Rand Diesel Air Compressors Service Manual Budget-Friendly Options
6. Navigating Ingersoll Rand Diesel Air Compressors Service Manual eBook Formats
 - ePub, PDF, MOBI, and More
 - Ingersoll Rand Diesel Air Compressors Service Manual Compatibility with Devices
 - Ingersoll Rand Diesel Air Compressors Service Manual Enhanced eBook Features
7. Enhancing Your Reading Experience
 - Adjustable Fonts and Text Sizes of Ingersoll Rand Diesel Air Compressors Service Manual
 - Highlighting and Note-Taking Ingersoll Rand Diesel Air Compressors Service Manual
 - Interactive Elements Ingersoll Rand Diesel Air Compressors Service Manual
8. Staying Engaged with Ingersoll Rand Diesel Air Compressors Service Manual
 - Joining Online Reading Communities
 - Participating in Virtual Book Clubs
 - Following Authors and Publishers Ingersoll Rand Diesel Air Compressors Service Manual
9. Balancing eBooks and Physical Books Ingersoll Rand Diesel Air Compressors Service Manual
 - Benefits of a Digital Library
 - Creating a Diverse Reading Collection Ingersoll Rand Diesel Air Compressors Service Manual
10. Overcoming Reading Challenges
 - Dealing with Digital Eye Strain
 - Minimizing Distractions
 - Managing Screen Time
11. Cultivating a Reading Routine Ingersoll Rand Diesel Air Compressors Service Manual
 - Setting Reading Goals Ingersoll Rand Diesel Air Compressors Service Manual
 - Carving Out Dedicated Reading Time
12. Sourcing Reliable Information of Ingersoll Rand Diesel Air Compressors Service Manual
 - Fact-Checking eBook Content of Ingersoll Rand Diesel Air Compressors Service Manual
 - Distinguishing Credible Sources
13. Promoting Lifelong Learning

- Utilizing eBooks for Skill Development
 - Exploring Educational eBooks
14. Embracing eBook Trends
- Integration of Multimedia Elements
 - Interactive and Gamified eBooks

Ingersoll Rand Diesel Air Compressors Service Manual Introduction

Ingersoll Rand Diesel Air Compressors Service Manual Offers over 60,000 free eBooks, including many classics that are in the public domain. Open Library: Provides access to over 1 million free eBooks, including classic literature and contemporary works. Ingersoll Rand Diesel Air Compressors Service Manual Offers a vast collection of books, some of which are available for free as PDF downloads, particularly older books in the public domain. Ingersoll Rand Diesel Air Compressors Service Manual : This website hosts a vast collection of scientific articles, books, and textbooks. While it operates in a legal gray area due to copyright issues, its a popular resource for finding various publications. Internet Archive for Ingersoll Rand Diesel Air Compressors Service Manual : Has an extensive collection of digital content, including books, articles, videos, and more. It has a massive library of free downloadable books. Free-eBooks Ingersoll Rand Diesel Air Compressors Service Manual Offers a diverse range of free eBooks across various genres. Ingersoll Rand Diesel Air Compressors Service Manual Focuses mainly on educational books, textbooks, and business books. It offers free PDF downloads for educational purposes. Ingersoll Rand Diesel Air Compressors Service Manual Provides a large selection of free eBooks in different genres, which are available for download in various formats, including PDF. Finding specific Ingersoll Rand Diesel Air Compressors Service Manual, especially related to Ingersoll Rand Diesel Air Compressors Service Manual, might be challenging as theyre often artistic creations rather than practical blueprints. However, you can explore the following steps to search for or create your own Online Searches: Look for websites, forums, or blogs dedicated to Ingersoll Rand Diesel Air Compressors Service Manual, Sometimes enthusiasts share their designs or concepts in PDF format. Books and Magazines Some Ingersoll Rand Diesel Air Compressors Service Manual books or magazines might include. Look for these in online stores or libraries. Remember that while Ingersoll Rand Diesel Air Compressors Service Manual, sharing copyrighted material without permission is not legal. Always ensure youre either creating your own or obtaining them from legitimate sources that allow sharing and downloading. Library Check if your local library offers eBook lending services. Many libraries have digital catalogs where you can borrow Ingersoll Rand Diesel Air Compressors Service Manual eBooks for free, including popular titles. Online Retailers: Websites like Amazon, Google Books, or Apple Books often sell eBooks. Sometimes, authors or publishers offer promotions or free periods for certain books. Authors Website Occasionally, authors provide excerpts or short stories for free on their websites.

While this might not be the Ingersoll Rand Diesel Air Compressors Service Manual full book , it can give you a taste of the authors writing style.Subscription Services Platforms like Kindle Unlimited or Scribd offer subscription-based access to a wide range of Ingersoll Rand Diesel Air Compressors Service Manual eBooks, including some popular titles.

FAQs About Ingersoll Rand Diesel Air Compressors Service Manual Books

How do I know which eBook platform is the best for me? Finding the best eBook platform depends on your reading preferences and device compatibility. Research different platforms, read user reviews, and explore their features before making a choice. Are free eBooks of good quality? Yes, many reputable platforms offer high-quality free eBooks, including classics and public domain works. However, make sure to verify the source to ensure the eBook credibility. Can I read eBooks without an eReader? Absolutely! Most eBook platforms offer webbased readers or mobile apps that allow you to read eBooks on your computer, tablet, or smartphone. How do I avoid digital eye strain while reading eBooks? To prevent digital eye strain, take regular breaks, adjust the font size and background color, and ensure proper lighting while reading eBooks. What the advantage of interactive eBooks? Interactive eBooks incorporate multimedia elements, quizzes, and activities, enhancing the reader engagement and providing a more immersive learning experience. Ingersoll Rand Diesel Air Compressors Service Manual is one of the best book in our library for free trial. We provide copy of Ingersoll Rand Diesel Air Compressors Service Manual in digital format, so the resources that you find are reliable. There are also many Ebooks of related with Ingersoll Rand Diesel Air Compressors Service Manual. Where to download Ingersoll Rand Diesel Air Compressors Service Manual online for free? Are you looking for Ingersoll Rand Diesel Air Compressors Service Manual PDF? This is definitely going to save you time and cash in something you should think about. If you trying to find then search around for online. Without a doubt there are numerous these available and many of them have the freedom. However without doubt you receive whatever you purchase. An alternate way to get ideas is always to check another Ingersoll Rand Diesel Air Compressors Service Manual. This method for see exactly what may be included and adopt these ideas to your book. This site will almost certainly help you save time and effort, money and stress. If you are looking for free books then you really should consider finding to assist you try this. Several of Ingersoll Rand Diesel Air Compressors Service Manual are for sale to free while some are payable. If you arent sure if the books you would like to download works with for usage along with your computer, it is possible to download free trials. The free guides make it easy for someone to free access online library for download books to your device. You can get free download on free trial for lots of books categories. Our library is the biggest of these that have literally hundreds of thousands of different products categories represented. You will also see that there are specific sites catered to different product types or categories, brands or niches related with Ingersoll Rand Diesel Air

Compressors Service Manual. So depending on what exactly you are searching, you will be able to choose e books to suit your own need. Need to access completely for Campbell Biology Seventh Edition book? Access Ebook without any digging. And by having access to our ebook online or by storing it on your computer, you have convenient answers with Ingersoll Rand Diesel Air Compressors Service Manual To get started finding Ingersoll Rand Diesel Air Compressors Service Manual, you are right to find our website which has a comprehensive collection of books online. Our library is the biggest of these that have literally hundreds of thousands of different products represented. You will also see that there are specific sites catered to different categories or niches related with Ingersoll Rand Diesel Air Compressors Service Manual So depending on what exactly you are searching, you will be able to choose ebook to suit your own need. Thank you for reading Ingersoll Rand Diesel Air Compressors Service Manual. Maybe you have knowledge that, people have search numerous times for their favorite readings like this Ingersoll Rand Diesel Air Compressors Service Manual, but end up in harmful downloads. Rather than reading a good book with a cup of coffee in the afternoon, instead they juggled with some harmful bugs inside their laptop. Ingersoll Rand Diesel Air Compressors Service Manual is available in our book collection an online access to it is set as public so you can download it instantly. Our digital library spans in multiple locations, allowing you to get the most less latency time to download any of our books like this one. Merely said, Ingersoll Rand Diesel Air Compressors Service Manual is universally compatible with any devices to read.

Find Ingersoll Rand Diesel Air Compressors Service Manual :

[kaeser sk 20 operation manual](#)

[katalog der lteren pinakothek zu mnchen](#)

[kaplan sat subject test math level 2 10 by kaplan paperback 2010](#)

[kalderetang kambing at baka](#)

[kabhokweni nursing learnership](#)

[kainsmord neuburg deutsche sprache bertragen](#)

[kassen kann man nicht alleine ebook](#)

[kashmir university ist year english guide](#)

[kansas city then and now then & now thunder bay](#)

[kaffeehaus exquisite desserts from the classic cafes of vienna budapest and prague](#)

[kalmar reach stacker service manual](#)

[karuna ki manual by vincent amador oocities](#)

[k cheneinblicke 2016 wandkalender quer foodfotografen](#)

~~katie and addie with jd love washington de~~
[katalog deutschsprachigen illustrierten handschriften mittelalters](#)

Ingersoll Rand Diesel Air Compressors Service Manual :

glass kiln casting with colour de verre 10 projects for frit cast - May 15 2023

web may 15 2007 glass kiln casting from wardell publications fused art glass presents artist and instructor jayne persico a quintessential guide to kiln casting with project instructions featuring glass frit sheet glass and re useable casting molds

wardell jp glassworks - Oct 08 2022

web glass kiln casting with colour de verre ebook is copyright 2013 by wardell publications inc glass kiln casting with colour de verre was first published and copyright 2007 by wardell publications inc all designs drawings and photographs are copyright 2007 by jayne persico

glass kiln casting with colour de verre a quintessenti - Feb 12 2023

web presents photographs of beautifully finished pieces of glass kiln casting the clear and simple instructions in this book will enable fusers of any skill level to achieve amazing 3 dimensional creations it offers over 260 colour photographs in 12 chapters that inspires dozens of exceptional projects

[learn colour de verre reusable molds for glass casting](#) - Jun 16 2023

web zyp formerly mr 97 is a boron nitride bn spray that is an alternative to traditional primers it results in superior castings virtually no spurs or sharp edges and a beautiful shiny surface this video has additional information video priming with zyp bn lubricoat

glass kiln casting with colour de verre molds - Sep 19 2023

web glass kiln casting with colour de verre molds 17 95 23 95 by jayne persico a quintessential guide to glass kiln casting with project instructions featuring glass frit sheet glass and re useable casting molds jayne persico brings her fresh and timeless style to the art of glass kiln casting

glass casting in a kiln - Jan 31 2022

web kiln wash is scrubbed off before applying the boron nitride any kiln wash left on can cause complete failure and result in the glass sticking to the mold casting material as long as all the glass used is compatible you can use a variety of different materials for casting in a kiln frit scraps cullet nuggets billets

colour de verre reusable molds for glass casting - Aug 18 2023

web skulls fun edgy what more can we say read more here reusable molds for glass casting

glass kiln casting with colour de verre book glass house store - Dec 10 2022

web glass kiln casting with colour de verre author jayne persico a quintessential guide to kiln casting with project instructions featuring glass frit sheet glass and re useable casting molds jayne brings her fresh and timeless style to the art of glass kiln casting

[learn colour de verre reusable molds for glass casting](#) - Jul 17 2023

web zyp formerly mr 97 is a boron nitride bn spray that is an alternative to traditional primers it results in superior castings virtually no spurs or sharp edges and a beautiful shiny surface this video has additional information video priming with zyp bn lubricoat

[glass kiln casting with colour de verre 10 projects f](#) - Nov 09 2022

web glass kiln casting from wardell publications fused art glass presents artist and instructor ja glass kiln casting with colour de verre 10 projects for frit cast jewelry plates bowls by jayne persico goodreads

glass kiln casting with colour de verre jayne persico - Apr 02 2022

web description details reviews glass frit or kiln casting is not exactly new but is very similar to the pate de verre technique which has been around for thousands of years what is new is the development of ceramic casting moulds by colour de verre *kiln casting with colour de verre d l art glass supply* - Sep 07 2022

web kiln casting with colour de verre is an 80 page book offering more than 260 color photographs in 12 chapters that is sure to inspire dozens of exceptional projects renowned glass artist jayne persico brings her fresh and timeless style to the art of glass kiln casting in this publication

[learn colour de verre reusable molds for glass casting](#) - Mar 13 2023

web create extremely thin and delicate art pieces by casting powdered glass at extremely low temperatures project sheet the feather create feathers that are as fanciful or realistic as you like with colour de verre s feather design

amazon com customer reviews glass kiln casting with colour de verre - May 03 2022

web find helpful customer reviews and review ratings for glass kiln casting with colour de verre 10 projects for frit cast jewelry plates bowls at amazon com read honest and unbiased product reviews from our users

glass kiln casting with colour de verre fusing books delphi - Apr 14 2023

web product description learn how to create cast glass jewelry and art using ceramic molds with amazing results this introduction to frit casting techniques guides the beginner through from start to finish with easy to follow instructions and an

products colour de verre reusable molds for glass casting - Mar 01 2022

web about us where to buy our products just released everything winter designs jewelry plants nature animals sea life boxes lighting decor tools supplies just

glass kiln casting with colour de verre - Jan 11 2023

web kindly say the glass kiln casting with colour de verre is universally compatible with any devices to read stained glass basics chris rich 1997 instructions on basic copper foil and leaded glass techniques selecting and cutting glass safety tips and other illuminating topics recycling and reuse of glass cullet ravindra k dhir 2001

glass kiln casting with colour de verre the magic kiln - Aug 06 2022

web apr 27 2017 glass casting is the process in which glass objects are cast by directing molten glass into a mould where it solidifies the technique has been used since the laurajo i m from colour de verre and as you might guess from the company s name we have something to do with pate de verre we make reusable molds for glass casting

glass kiln casting with color de verre with colour de verre - Jul 05 2022

web jul 5 2007 buy glass kiln casting with color de verre with colour de verre illustrated by jayne persico isbn 9780919985551 from amazon s book store everyday low prices and free delivery on eligible orders

[amazon co uk customer reviews glass kiln casting with color de verre](#) - Jun 04 2022

web find helpful customer reviews and review ratings for glass kiln casting with color de verre with colour de verre at amazon com read honest and unbiased product reviews from our users

free download ap ecet e books and sample papers online - Jul 14 2023

web careers360 has compiled the previous year ap ecet question papers and answer keys for ece eee and eie to help the aspirants for their exam preparation candidates can improve their preparation by using the ap ecet question paper and answer key 915 downloads 3 marked as useful

ts ecet previous question papers with solutions pdfs blogger - Dec 07 2022

web if you re struggling to find all of the ecet question papers with answers on various websites you ve come to the right place this blog offers a complete collection of ecet previous papers that you can easily download we regularly update our blog with the latest ecet papers and notes

free ecet materials for eee cyberlab sutd edu sg - Aug 15 2023

web principles of electronic materials and devices second edition is a greatly enhanced version of the highly successful text principles of electrical engineering materials and devices it is designed for a first course on electronic materials given in electrical engineering materials science and engineering and physics

[eee 207 ders tanıtım bilgileri elektrik elektronik mühendisliği](#) - Jan 28 2022

web ders elektrik devre elemanları devre değişkenleri toplu elemanlı devreler kirchhoff yasaları doğrusal doğrusal olmayan zamanla değişmeyen zamanla değişen direnç devreleri düğüm ve çevre çözümleme yöntemleri bindirme ilkesi thevenin ve norton eşdeğer devreleri iki ve çok kapılı devre elemanları işlemsel

ap ecet 2023 preparation strategy study plan tips one month - Jun 01 2022

web may 4 2023 the most important trick that the candidates must resort to while preparing for the ap ecet 2023 examination is to read the proper study materials better study materials will guide the candidates towards their ascendancy whereas poor or irrelevant study materials will do the exact opposite

ap ecet study material 2023 for chemistry maths physics - Jun 13 2023

web embibe has every ap ecet study material 2023 that the candidates will need to prepare for the entrance exam the exam is a gateway for candidates to get admission into various engineering colleges

ts ecet eee 2023 syllabus mock test weightage - Apr 11 2023

web mar 2 2023 the syllabus of ts ecet eee 2023 comprises of various topics such as electric drives and traction power electronics and microcontrollers ac machines basic electrical engineering etc candidates must be aware of the weightage allotted to each topic before preparing for ts ecet 2023

ap ecet eee 2023 syllabus weightage mock test - Mar 10 2023

web may 3 2023 ap ecet eee 2023 syllabus eee electrical and electronics engineering is one of the most opted papers in the ap ecet exam through this exam a candidate can secure eee admission in b tech via the lateral entry option

solve guru materials google sites - May 12 2023

web electrochemistry download environmental chemistry download e cet physics materials for free units and dimensions download elements of vectors download kinematics download kinematics 2

ecet eee preparation blogger - Jan 08 2023

web ecet eee preparation is education website in which you can find apecet and tsecet previous question papers with solved solutions from last 10years

ecet study material manabadi com - Oct 05 2022

web ecet subject ecet ecet syllabus sm type year previous year 2015 study material download

eee notes pdf and study material free download btech geeks - Feb 09 2023

web feb 20 2023 eee notes pdf and study material free download february 20 2023 by prasanna eee notes pdf graduates trying to get hold of the electrical and electronics engineering eee notes and other reference sources can access the credible and accurate notes for their preparation or revision process from this article

eee electrical electronic engineering - Dec 27 2021

web ruet contact information registrar rajshahi university of engineering technology kazla rajshahi 6204 bangladesh 88 0721 750105 88 721 750742 3 751320 1

ecet materials for eee pdf agenciaojs mincyt gob ar - Jul 02 2022

web and install the ecet materials for eee it is unconditionally easy then in the past currently we extend the associate to

purchase and make bargains to download and install ecet materials for eee therefore simple the circuits and filters handbook third edition five volume slipcase set wai kai chen 2009 06 25

ecet materials for eee pqr uiaf gov co - Apr 30 2022

web it is your utterly own era to decree reviewing habit accompanied by guides you could enjoy now is ecet materials for eee below electrical world 1925 an introduction to electrical engineering materials c s indulkar 2008 01 01 a textbook for the students of b sc engg b e b tech amie

ts ecet books 2023 best books for ts ecet preparation - Sep 04 2022

web sep 5 2023 ts ecet books 2023 will help candidates prepare for the exam by preparing for the exam with reference books and materials they will understand the concepts and easily learn all the topics candidates must have a proper plan to score well in ts ecet 2023 good books mock tests and sample papers can prove to be the best combination

telegram contact eee ecet 2020 ap ts - Nov 06 2022

web one stop for mpc material of ecet for eee all the previous year papers sloved along with hand written solutions download eee ecet mpc ap ts 1 804 subscribers one eee ecet mpc ap ts

ecet materials for eee book roycewells com - Aug 03 2022

web an introduction to electrical engineering materials c s indulkar 2008 01 01 a textbook for the students of b sc engg b e b tech amie and diploma courses a new chapter on semiconductor fabrication technology and miscellaneous semiconductor devices had been included and

ecet materials for eee help environment harvard edu - Mar 30 2022

web ecet materials for eee is universally compatible considering any devices to read objective electrical engineering p k mishra 2010 09 shortcuts in reasoning verbal non verbal analytical critical for competitive exams 2nd edition disha experts 2018 08 10 the thoroughly revised updated 2nd edition of disha s bestseller book

ts ecet eee cutoff 2023 check closing ranks here - Feb 26 2022

web aug 26 2023 ts ecet eee cutoff 2023 check closing ranks here diksha sharma updated on august 26 2023 10 52 am ist ts ecet the closing ranks for ts ecet eee 2023 will be released only after the conclusion of the counselling process get details on ts ecet eee cutoff 2023 here and check previous year closing ranks

casa vivienda jardín el proyecto y las medidas en la - May 17 2023

web ludwig neff y peter neufert establecen los parámetros básicos a tener en cuenta en el proyecto de viviendas y jardines todo ello de una forma fundamentalmente gráfica que en esta segunda edición revisada y ampliada cuenta con 3 184 ilustraciones y 123 tablas

neufert casa vivienda jardín parte 1 academia edu - Mar 03 2022

web neufert casa vivienda jardín parte 1 neufert casa vivienda jardín parte 1 alicia palacios see full pdf download pdf see full pdf download pdf see full pdf download pdf parte 1 see full pdf download pdf about press blog people papers topics job board we re hiring help center find new research papers in

descargar gratis casa vivienda jardín el proyecto y las medidas en - Feb 02 2022

web april 05 2021 download casa vivienda jardín el proyecto y las medidas en la construcción de peter neufert ludwig neff jordi siguán boehmer pdf epub mobi gratis casa vivienda jardín el proyecto y las medidas en la construcción pdf en linea lee ahora download

casa vivienda jardín el proyecto y las medidas en la - Apr 16 2023

web oct 1 2013 ludwig neff y peter neufert establecen los parámetros básicos a tener en cuenta en el proyecto de viviendas y jardines todo ello de una forma fundamentalmente gráfica que en esta segunda edición revisada y ampliada cuenta con

casa vivienda jardín el proyecto y las medidas en la - Mar 15 2023

web ludwig neff y peter neufert establecen los parámetros básicos a tener en cuenta en el proyecto de viviendas y jardines todo ello de una forma fundamentalmente gráfica que en esta segunda edición revisada y ampliada cuenta con 3 184

ilustraciones y 123 tablas

casa vivienda jardín el proyecto y las medidas en la - Jul 19 2023

web casa vivienda jardín el proyecto y las medidas en la construcción pretende ser una ayuda para el promotor el proyectista o diseñador en la difícil tarea de proyectar adecuadamente una casa una vivienda o un jardín el glosario final que define 471 términos profesionales le proporciona una seguridad en dicho lenguaje

casa vivienda jardín el proyecto y las medidas en la - Sep 09 2022

web características número de páginas 255 idioma español fecha de publicación 2012 dimensiones 29 8 x 21 x 1 5 cm isbn 9788425226465

una encantadora casa de estilo campestre en el bajo ampurdán con - Nov 11 2022

web oct 20 2023 una encantadora casa de estilo campestre en el bajo ampurdán con jardín y salón con chimenea después de un extraordinario proyecto de reforma e interiorismo esta casa de los años 70 se ha transformado en una villa de campo luminosa y actual sin perder la esencia del estilo rústico y la belleza artesanal viajamos a una de las zonas

casa vivienda jardín el proyecto y las medidas en - Apr 04 2022

web jan 1 2007 casa vivienda jardín el proyecto y las medidas en la construcción 1905 ilustraciones 108 tablas 495 términos profesionales p neufert l neff tr por jordi siguán

neufert neff casa vivienda y jardín el proyecto y las medidas - Feb 14 2023

web a heartbreaking work of staggering genius a memoir based on a true story dave eggert on fire the burning case for a

green new deal naomi klein the emperor of all maladies a biography of cancer siddhartha mukherjee devil in the grove thurgood marshall the groveland boys and the dawn of a new america

una idílica casa en mallorca con jardín y piscina decorada en un - Dec 12 2022

web todos los elementos decorativos y el mobiliario lo acompañan de forma pausada a esa intención creamos ambientes acogedores que inspiraran un estado de paz que nos induce a emocionarnos con la belleza que nos rodea el proyecto lo han denominado eden un nombre perfecto para esta vivienda situada en un lugar apartado muy especial y que *casa vivienda jardín el proyecto y las medidas en la* - Aug 20 2023

web disfruta de miles de audiolibros y podcasts originales casa vivienda jardín el proyecto y las medidas en la construcción monografías neufert peter neff ludwig siguán boehmer jordi amazon es libros

casa vivienda jardín el proyecto y las medidas en la - Jul 07 2022

web este libro proporciona los parámetros básicos a tener en cuenta en el proyecto de viviendas y jardines todo ello de una forma fundamentalmente gráfica que en esta segunda edición revisada y ampliada cuenta con 3 184 ilustraciones y 123 tablas

casa vivienda jardín el proyecto y las medidas en la - May 05 2022

web jardín el proyecto y las medidas en la construcción peter neufert ludwig neff gili 2006 architecture domestic 235 pages bibliographic information

casa vivienda jardín el proyecto y las medidas en la - Sep 21 2023

web este libro proporciona los parámetros básicos a tener en cuenta en el proyecto de viviendas y jardines todo ello de una forma fundamentalmente gráfica que en esta segunda

casa vivienda jardín el proyecto y las medidas en la - Oct 10 2022

web sep 7 2007 peter neufert gustavo gili editor este libro proporciona los parámetros básicos a tener en cuenta en el proyecto de viviendas y jardines todo ello de una forma fundamentalmente gráfica que en esta segunda edición revisada y ampliada cuenta con 3 184 ilustraciones y 123 tablas

casa vivienda jardín el proyecto y las medidas en la - Jun 18 2023

web oct 1 2013 ludwig neff y peter neufert establecen los parámetros básicos a tener en cuenta en el proyecto de viviendas y jardines todo ello de una forma fundamentalmente gráfica que en esta segunda edición revisada y ampliada cuenta con

una preciosa casa con jardín y piscina en lardero la rioja - Aug 08 2022

web oct 19 2023 es el caso de esta vivienda unifamiliar de 130 metros cuadrados localizada en el pueblo de lardero muy cerca de logroño sus propietarios un matrimonio con dos niños tenían claro que no querían renunciar a la vida en el campo a pesar de trabajar en la ciudad de reciente construcción con dos plantas y un amplio jardín con piscina

comprar casa vivienda jardin el proyecto y las medidas en la - Jun 06 2022

web ver más opiniones de clientes comprar casa vivienda jardin el proyecto y las medidas en la construccion de ludwig neufert peter neff buscalibre ver opiniones y comentarios compra y venta de libros importados novedades y bestsellers en tu librería online buscalibre Perú y buscalibros

casa vivienda jardín el proyecto y las medidas en la - Jan 13 2023

web 796 00 precio de lista 995 00 ahorra 199 00 20 entrega gratis el domingo 20 de agosto o entrega más rápida hoy realiza el pedido en 10 hrs 11 mins elige tu dirección disponible cantidad agregar al carrito comprar ahora pago transacción segura envío desde amazon México vendido por amazon México pago transacción segura