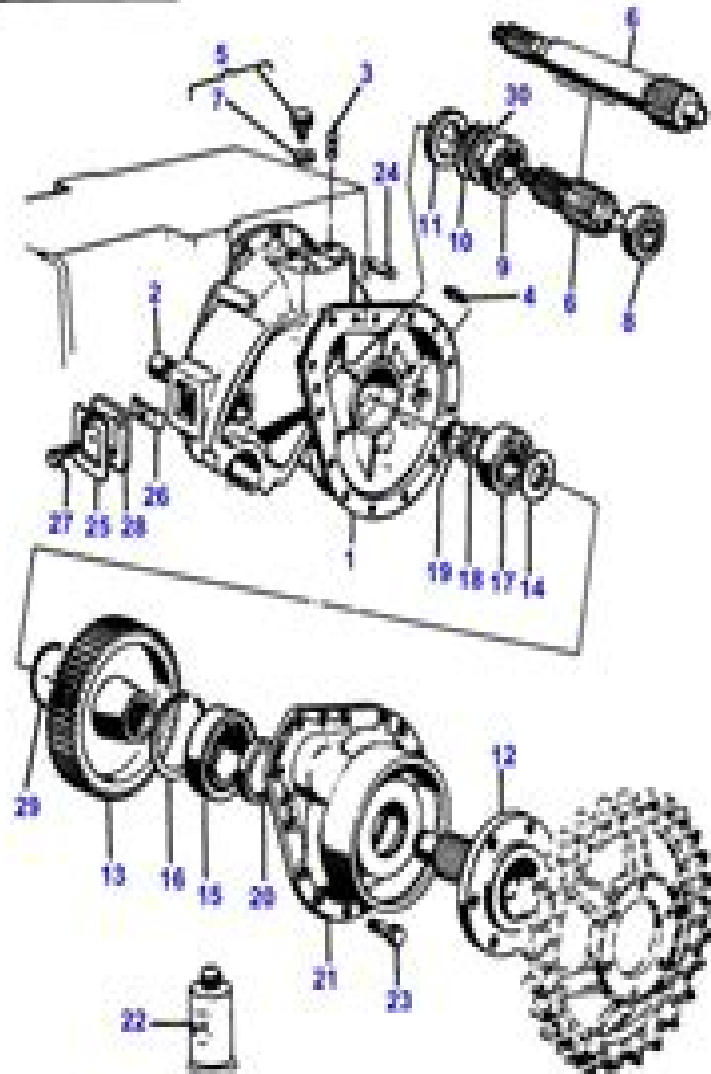


4-AGC-010_A



Qty	Part Number	By	Description	Comments Final Drive
1	1421-0000	1	Housing	A-B
1	2070-0000	1	Drive Housing	Left Hand
1	1421-0000	1	Drive Housing	Right Hand
1	2070-0000	1	Housing	Left Hand
1	2070-0000	1	Housing	Right Hand
2	1421-0000	2	Shaft	C-1
2	1421-0000	2	Shaft	C-2
4	1421-0000	4	Shaft	A-B
4	1421-0000	4	Shaft	A-B
4	1421-0000	4	Shaft	A-B
4	1421-0000	4	Shaft	A-B
7	1421-0000	7	Shaft	A-B
8	1421-0000	8	Shaft	A-B
8	1421-0000	8	Shaft	A-B
10	1421-0000	10	Shaft	A-B
11	1421-0000	11	Shaft	A-B
12	1421-0000	12	Shaft	A-B
14	1421-0000	14	Shaft	A-B
16	1421-0000	16	Shaft	A-B
17	1421-0000	17	Shaft	A-B
18	1421-0000	18	Shaft	A-B
19	1421-0000	19	Shaft	A-B
20	1421-0000	20	Shaft	A-B
21	1421-0000	21	Shaft	A-B
22	1421-0000	22	Shaft	A-B
23	1421-0000	23	Shaft	A-B
24	1421-0000	24	Shaft	A-B
25	1421-0000	25	Shaft	A-B
26	1421-0000	26	Shaft	A-B
27	1421-0000	27	Shaft	A-B
28	1421-0000	28	Shaft	A-B
29	1421-0000	29	Shaft	A-B
30	1421-0000	30	Shaft	A-B

(A)
FOR STANDARD TRACKS

(B)
FOR NARROW TRACKS

(C)
FOR LARGE TRACKS

Massey Ferguson 264 Service Manual

H Kauffman



Massey Ferguson 264 Service Manual:

Massey-Ferguson TE 20 Service Manual Massey-Ferguson,19?? **Operator, Organizational, Direct Support, and General Support Maintenance Manual Including Repair Parts List for Grinding Kit, Valve Seat (K O Lee Co, Inc) (4910-00-060-9983).** ,1989 **Chilton's Auto Repair Manual** ,1954 **Operator's, Organizational, Direct Support and General Support Maintenance Manual Including Repair Parts List for Grinding Machine, Valve Face, Model K403C and K500C, (K.O. Lee Co.), (NSN 4910-00-540-4679).** ,1989 **Popular Mechanics** ,1984-09 Popular Mechanics inspires instructs and influences readers to help them master the modern world Whether it s practical DIY home improvement tips gadgets and digital technology information on the newest cars or the latest breakthroughs in science PM is the ultimate guide to our high tech lifestyle **MF 65 Tractor Service Manual** Massey Ferguson Co,197? **Subject Guide to Books in Print** ,1997 **Popular Mechanics** ,1987-05 Popular Mechanics inspires instructs and influences readers to help them master the modern world Whether it s practical DIY home improvement tips gadgets and digital technology information on the newest cars or the latest breakthroughs in science PM is the ultimate guide to our high tech lifestyle **Popular Mechanics** ,1985-01 Popular Mechanics inspires instructs and influences readers to help them master the modern world Whether it s practical DIY home improvement tips gadgets and digital technology information on the newest cars or the latest breakthroughs in science PM is the ultimate guide to our high tech lifestyle *Popular Mechanics* ,1984-08 Popular Mechanics inspires instructs and influences readers to help them master the modern world Whether it s practical DIY home improvement tips gadgets and digital technology information on the newest cars or the latest breakthroughs in science PM is the ultimate guide to our high tech lifestyle Popular Mechanics ,1984-12 Popular Mechanics inspires instructs and influences readers to help them master the modern world Whether it s practical DIY home improvement tips gadgets and digital technology information on the newest cars or the latest breakthroughs in science PM is the ultimate guide to our high tech lifestyle **MF 40 Tractor/digger/loader Workshop Service Manual** Massey-Ferguson (Aust.) Ltd,1979* **Massey Ferguson 35 Tractor** Chris Jaworski,2020-03-17 Learn everything you need to know about the Ferguson MF 35 and TO35 Featuring step by step instructions for weekly checks operator maintenance engines cooling and fuel systems transmissions brakes hydraulics and so much more this user friendly restoration service manual goes back to the basics detailing a wide range of topics so you can understand your tractor machinery from the inside out Also included are more than 650 photographs helpful charts for service schedules torques data specs tool lists and troubleshooting and even a buying guide Author Chris Jaworski is a technical writer Tractor Machinery magazine and a restoration enthusiast For owners involved in servicing repairs or restoration of the Massey Ferguson MF 35 or TO35 this crystal clear guide will help you enjoy getting the work done quickly efficiently and correctly Forthcoming Books Rose Army,2002 Popular Mechanics ,1984-05 Popular Mechanics inspires instructs and influences readers to help them master

the modern world Whether it s practical DIY home improvement tips gadgets and digital technology information on the newest cars or the latest breakthroughs in science PM is the ultimate guide to our high tech lifestyle Popular Science ,1987 Popular Mechanics ,1985-08 Popular Mechanics inspires instructs and influences readers to help them master the modern world Whether it s practical DIY home improvement tips gadgets and digital technology information on the newest cars or the latest breakthroughs in science PM is the ultimate guide to our high tech lifestyle **Popular Mechanics** ,1985-06 Popular Mechanics inspires instructs and influences readers to help them master the modern world Whether it s practical DIY home improvement tips gadgets and digital technology information on the newest cars or the latest breakthroughs in science PM is the ultimate guide to our high tech lifestyle Popular Mechanics ,1984 **Popular Mechanics** ,1984-06 Popular Mechanics inspires instructs and influences readers to help them master the modern world Whether it s practical DIY home improvement tips gadgets and digital technology information on the newest cars or the latest breakthroughs in science PM is the ultimate guide to our high tech lifestyle

When people should go to the ebook stores, search establishment by shop, shelf by shelf, it is essentially problematic. This is why we provide the ebook compilations in this website. It will utterly ease you to see guide **Massey Ferguson 264 Service Manual** as you such as.

By searching the title, publisher, or authors of guide you essentially want, you can discover them rapidly. In the house, workplace, or perhaps in your method can be every best area within net connections. If you objective to download and install the Massey Ferguson 264 Service Manual, it is completely easy then, since currently we extend the link to buy and create bargains to download and install Massey Ferguson 264 Service Manual thus simple!

<http://www.armchairempire.com/book/publication/HomePages/Intelligent%20Multimedia%20Processing%20With%20Soft%20Computing%20Author%20Yap%20Peng%20Tan%20Dec%202021.pdf>

Table of Contents Massey Ferguson 264 Service Manual

1. Understanding the eBook Massey Ferguson 264 Service Manual
 - The Rise of Digital Reading Massey Ferguson 264 Service Manual
 - Advantages of eBooks Over Traditional Books
2. Identifying Massey Ferguson 264 Service Manual
 - Exploring Different Genres
 - Considering Fiction vs. Non-Fiction
 - Determining Your Reading Goals
3. Choosing the Right eBook Platform
 - Popular eBook Platforms
 - Features to Look for in an Massey Ferguson 264 Service Manual
 - User-Friendly Interface
4. Exploring eBook Recommendations from Massey Ferguson 264 Service Manual
 - Personalized Recommendations
 - Massey Ferguson 264 Service Manual User Reviews and Ratings

- Massey Ferguson 264 Service Manual and Bestseller Lists
- 5. Accessing Massey Ferguson 264 Service Manual Free and Paid eBooks
 - Massey Ferguson 264 Service Manual Public Domain eBooks
 - Massey Ferguson 264 Service Manual eBook Subscription Services
 - Massey Ferguson 264 Service Manual Budget-Friendly Options
- 6. Navigating Massey Ferguson 264 Service Manual eBook Formats
 - ePub, PDF, MOBI, and More
 - Massey Ferguson 264 Service Manual Compatibility with Devices
 - Massey Ferguson 264 Service Manual Enhanced eBook Features
- 7. Enhancing Your Reading Experience
 - Adjustable Fonts and Text Sizes of Massey Ferguson 264 Service Manual
 - Highlighting and Note-Taking Massey Ferguson 264 Service Manual
 - Interactive Elements Massey Ferguson 264 Service Manual
- 8. Staying Engaged with Massey Ferguson 264 Service Manual
 - Joining Online Reading Communities
 - Participating in Virtual Book Clubs
 - Following Authors and Publishers Massey Ferguson 264 Service Manual
- 9. Balancing eBooks and Physical Books Massey Ferguson 264 Service Manual
 - Benefits of a Digital Library
 - Creating a Diverse Reading Collection Massey Ferguson 264 Service Manual
- 10. Overcoming Reading Challenges
 - Dealing with Digital Eye Strain
 - Minimizing Distractions
 - Managing Screen Time
- 11. Cultivating a Reading Routine Massey Ferguson 264 Service Manual
 - Setting Reading Goals Massey Ferguson 264 Service Manual
 - Carving Out Dedicated Reading Time
- 12. Sourcing Reliable Information of Massey Ferguson 264 Service Manual
 - Fact-Checking eBook Content of Massey Ferguson 264 Service Manual
 - Distinguishing Credible Sources

13. Promoting Lifelong Learning
 - Utilizing eBooks for Skill Development
 - Exploring Educational eBooks
14. Embracing eBook Trends
 - Integration of Multimedia Elements
 - Interactive and Gamified eBooks

Massey Ferguson 264 Service Manual Introduction

In the digital age, access to information has become easier than ever before. The ability to download Massey Ferguson 264 Service Manual has revolutionized the way we consume written content. Whether you are a student looking for course material, an avid reader searching for your next favorite book, or a professional seeking research papers, the option to download Massey Ferguson 264 Service Manual has opened up a world of possibilities. Downloading Massey Ferguson 264 Service Manual provides numerous advantages over physical copies of books and documents. Firstly, it is incredibly convenient. Gone are the days of carrying around heavy textbooks or bulky folders filled with papers. With the click of a button, you can gain immediate access to valuable resources on any device. This convenience allows for efficient studying, researching, and reading on the go. Moreover, the cost-effective nature of downloading Massey Ferguson 264 Service Manual has democratized knowledge. Traditional books and academic journals can be expensive, making it difficult for individuals with limited financial resources to access information. By offering free PDF downloads, publishers and authors are enabling a wider audience to benefit from their work. This inclusivity promotes equal opportunities for learning and personal growth. There are numerous websites and platforms where individuals can download Massey Ferguson 264 Service Manual. These websites range from academic databases offering research papers and journals to online libraries with an expansive collection of books from various genres. Many authors and publishers also upload their work to specific websites, granting readers access to their content without any charge. These platforms not only provide access to existing literature but also serve as an excellent platform for undiscovered authors to share their work with the world. However, it is essential to be cautious while downloading Massey Ferguson 264 Service Manual. Some websites may offer pirated or illegally obtained copies of copyrighted material. Engaging in such activities not only violates copyright laws but also undermines the efforts of authors, publishers, and researchers. To ensure ethical downloading, it is advisable to utilize reputable websites that prioritize the legal distribution of content. When downloading Massey Ferguson 264 Service Manual, users should also consider the potential security risks associated with online platforms. Malicious actors may exploit vulnerabilities in unprotected websites to distribute malware or steal personal information. To protect themselves, individuals should ensure

their devices have reliable antivirus software installed and validate the legitimacy of the websites they are downloading from. In conclusion, the ability to download Massey Ferguson 264 Service Manual has transformed the way we access information. With the convenience, cost-effectiveness, and accessibility it offers, free PDF downloads have become a popular choice for students, researchers, and book lovers worldwide. However, it is crucial to engage in ethical downloading practices and prioritize personal security when utilizing online platforms. By doing so, individuals can make the most of the vast array of free PDF resources available and embark on a journey of continuous learning and intellectual growth.

FAQs About Massey Ferguson 264 Service Manual Books

What is a Massey Ferguson 264 Service Manual PDF? A PDF (Portable Document Format) is a file format developed by Adobe that preserves the layout and formatting of a document, regardless of the software, hardware, or operating system used to view or print it. **How do I create a Massey Ferguson 264 Service Manual PDF?** There are several ways to create a PDF: Use software like Adobe Acrobat, Microsoft Word, or Google Docs, which often have built-in PDF creation tools. Print to PDF: Many applications and operating systems have a "Print to PDF" option that allows you to save a document as a PDF file instead of printing it on paper. Online converters: There are various online tools that can convert different file types to PDF. **How do I edit a Massey Ferguson 264 Service Manual PDF?** Editing a PDF can be done with software like Adobe Acrobat, which allows direct editing of text, images, and other elements within the PDF. Some free tools, like PDFescape or Smallpdf, also offer basic editing capabilities. **How do I convert a Massey Ferguson 264 Service Manual PDF to another file format?** There are multiple ways to convert a PDF to another format: Use online converters like Smallpdf, Zamzar, or Adobe Acrobats export feature to convert PDFs to formats like Word, Excel, JPEG, etc. Software like Adobe Acrobat, Microsoft Word, or other PDF editors may have options to export or save PDFs in different formats. **How do I password-protect a Massey Ferguson 264 Service Manual PDF?** Most PDF editing software allows you to add password protection. In Adobe Acrobat, for instance, you can go to "File" -> "Properties" -> "Security" to set a password to restrict access or editing capabilities. Are there any free alternatives to Adobe Acrobat for working with PDFs? Yes, there are many free alternatives for working with PDFs, such as: LibreOffice: Offers PDF editing features. PDFsam: Allows splitting, merging, and editing PDFs. Foxit Reader: Provides basic PDF viewing and editing capabilities. How do I compress a PDF file? You can use online tools like Smallpdf, ILovePDF, or desktop software like Adobe Acrobat to compress PDF files without significant quality loss. Compression reduces the file size, making it easier to share and download. Can I fill out forms in a PDF file? Yes, most PDF viewers/editors like Adobe Acrobat, Preview (on Mac), or various online tools allow you to fill out forms in PDF files by selecting text fields and entering information. Are there any restrictions when working with PDFs?

Some PDFs might have restrictions set by their creator, such as password protection, editing restrictions, or print restrictions. Breaking these restrictions might require specific software or tools, which may or may not be legal depending on the circumstances and local laws.

Find Massey Ferguson 264 Service Manual :

[intelligent multimedia processing with soft computing author yap peng tan dec 2010](#)

[insurance and the law of obligations](#)

[inter tel eclipse manual](#)

interactions in ecosystems study guide answers

integrated algebra august 16 2012

[instrument engineers handbook vol 1 process measurement and analysis](#)

intermediate accounting w wileyplus looseleaf

interference and diffraction physics for scientists and engineers flashcards

[intelligent web search smart algorithms](#)

[interactive physics mtg free download](#)

interactive notebooks

[integrative psychotherapy feedback driven approach published](#)

integrating device data into the electronic medical record

integrated landscaping following natures lead

[integrative treatment for borderline personality disorder effective symptom focused techniques simplified for](#)

Massey Ferguson 264 Service Manual :

carl schmitt aufstieg und fall mehring reinhard eurobuch - Jan 25 2023

web carl schmitt aufstieg und fall finden sie alle bücher von mehring reinhard bei der büchersuchmaschine eurobuch com

können sie antiquarische und neubücher vergleichen und sofort zum bestpreis bestellen 9783406785634 ean

9783406785634 neubuch pu beck c h mai 2022 deutsche geschichte

[reinhard mehring carl schmitt aufstieg und fall uni konstanz de - Mar 27 2023](#)

web reinhard mehring carl schmitt aufstieg und fall in zeitschrift der savigny stiftung für rechtsgeschichte germanistische

abteilung 2011 128 pp 858 864 bibtex

reinhard mehring carl schmitt aufstieg und fall eine biographie - Feb 23 2023

web wie war der fall schmitt möglich es ist doch lebenswichtig für uns alle den fall deutschland einmal zu verstehen 1 ein weißer rabe das seltsame leben des deutschen staatslehrers carl schmitt für eine ernst jünger festschrift macht carl schmitt im november 1954

reinhard mehring carl schmitt aufstieg und fall pw portal - Oct 22 2022

web jul 6 2023 reinhard mehring bietet in der nunmehr aktualisierten biografie carl schmitt aufstieg und fall 2022 einblicke in das denken und wirken des umstrittenen staats und völkerrechtlers

carl schmitt aufstieg und fall reinhard mehring google books - Jun 29 2023

web reinhard mehring legt die grundlegende biographie carl schmitts vor der bis heute neben martin heidegger und max weber der weltweit am meisten rezipierte deutsche denker des 20 jahrhunderts

carl schmitt aufstieg und fall booklooker - Jul 19 2022

web dieses reflektierte und eindringliche zeugnis der vergangenheit ist so einzigartig weil es nicht in der anklage steckenbleibt sondern auf beeindruckende weise die suche nach gegenseitigem verstehen und einem weg zur versöhnung dokumentiert

carl schmitt aufstieg und fall von reinhard mehring als ebook bei - Mar 15 2022

web carl schmitt aufstieg und fall reinhard mehring verlag verlag c h beck 2022 isbn 9783406785658 752 seiten 2 auflage format pdf kopierschutz wasserzeichen geräte 28 99 eur preisstaffel für firmen nutzung über internet freigegeben derzeit können über den shop maximal 500 exemplare bestellt werden

carl schmitt aufstieg und fall ebook barnes noble - Aug 20 2022

web may 12 2022 reinhard mehring hat 2009 die grundlegende biografie carl schmitts vorgelegt der bis heute neben martin heidegger und max weber der weltweit am meisten

carl schmitt aufstieg und fall german edition amazon com - Feb 11 2022

web feb 1 2009 4 0 out of 5 stars interessanter einblick in das leben von carl schmitt reviewed in germany on june 21 2018 verified purchase ich habe mir dieses buch trotz der schlechten rezensionen anderer amazon kunden gekauft und bin sehr glücklich darüber was manche hier doch für einen unsinn verzapfen

carl schmitt aufstieg und fall amazon de - May 29 2023

web carl schmitt aufstieg und fall mehring reinhard isbn 9783406592249 kostenloser versand für alle bücher mit versand und verkauf duch amazon

carl schmitt aufstieg und fall on jstor - Jul 31 2023

web für eine ernst jünger festschrift macht carl schmitt im november 1954 folgende autorangaben c s geb 1888 in

plettenberg westfalen studierte in berlin münchen und straßburg habilitierte sich 1916 in straßburg verlor infolge des ausgangs des ersten weltkriegs seine dozentur von 1921 1945 ordentlicher professor des öffentlichen

carl schmitt philosoph jurist verräter des rechts - Nov 22 2022

web mar 12 2019 der heidelberger politikwissenschaftler reinhard mehring hat die schillernde figur 2009 in einer beeindruckenden biografie aufstieg und fall zu ergründen versucht nun legt er nach in

reinhard mehring wikipedia - Apr 15 2022

web carl schmitt aufstieg und fall eine biographie c h beck münchen 2009 isbn 978 3 406 59224 9 2 überarbeitete aktualisierte und gekürzte auflage 2022 isbn 978 3 406 78563 4 carl schmitt zur einföhrung junius verlag 4 vollst überarb aufl hamburg 2011 isbn 978 3 88506 685 9 kriegstechniker des begriffs

reinhard mehring carl schmitt aufstieg und fall eine biografie - Sep 01 2023

web mehring schildert mittels einer collagetchnik carl schmitts wissenschaftlichen aufstieg sein wechselhaftes privatleben sein sich andienen an den nationalsozialismus und seine verweigerung sich den eigenen verfehlungen aus dieser zeit in den nachkriegsjahren zu stellen beobachtet der rezensent

carl schmitt aufstieg und fall mit leseprobe von reinhard - May 17 2022

web lesen sie online ein teil vom ebook carl schmitt aufstieg und fall und kaufen sie das werk als download datei

carl schmitt mehring reinhard hardcover c h beck - Oct 02 2023

web aufstieg und fall 2022 978 3 406 78563 4 carl schmitt gehört neben martin heidegger und max weber zu den weltweit am meisten gelesenen deutsch

carl schmitt aufstieg und fall reinhard mehring google books - Apr 27 2023

web jahrhunderts ist ein meisterhaftes buch über eine geradezu shakespeare sche gestalt im zentrum der deutschen katastrophe nun liegt das werk in einer grundlegend überarbeiteten und aktualisierten neuausgabe vor ein weißer rabe so hat carl schmitt sich selbst gern wahrgenommen

carl schmitt aufstieg und fall mehring reinhard amazon de - Dec 24 2022

web seine radikalen theorien über freund und feind legalität und legitimität den begriff des politischen werden in alle wichtigen weltersprachen übersetzt und von erzkatholischen konservativen gleichermaßen intensiv gelesen wie von den kommunistischen revolutionären der dritten welt

carl schmitt aufstieg und fall by reinhard mehring goodreads - Jun 17 2022

web kindle edition published may 12 2022 book details editions

carl schmitt aufstieg fall von mehring reinhard zvab - Sep 20 2022

web carl schmitt aufstieg und fall von mehring reinhard und eine große auswahl ähnlicher bücher kunst und sammlerstücke

erhältlich auf zvb.com

bridge master 2 pdf scribd - Oct 23 2023

web bridge master 2 free download as pdf file pdf text file txt or view presentation

decca bridgemaster 2 manual pdf 2023 support ortax - Sep 22 2023

web decca bridgemaster 2 manual pdf pages 3 6 decca bridgemaster 2 manual pdf

pdf decca bridgemaster 2 manual by hori arina - Jun 19 2023

web decca bridgemaster 2 manual by hori arina comparing the literatures aug 21 2022

decca bridgemaster 2 manual by hori arina decca bridgemaster 2 - Aug 09 2022

web decca bridgemaster 2 manual by hori arina downloaded from

decca bridgemaster 2 manual controlplane themintgaming.com - Jun 07 2022

web decca bridgemaster ii manual vtiger crm v5 2 x users and administration manual

read free decca bridgemaster 2 manual by hori arina - Nov 12 2022

web decca bridgemaster 2 manual decca bridgemaster 2 manual electrical electronic and

decca bridgemaster 2 manual by hori arina - Sep 10 2022

web decca bridgemaster 2 manual by hori arina 2015 06 28 3 12 decca bridgemaster 2

decca bridgemaster 2 manual by hori arina esource svb - Feb 03 2022

web decca bridgemaster 2 manual by hori arina pirtzina zilborrean oct 21 2022 aitor eta

free pdf download decca bridgemaster 2 manual by hori arina - Feb 15 2023

web decca bridgemaster 2 manual by hori arina xantoma eta xantelasmaren inguruko

pdf decca bridgemaster 2 manual by hori arina - Jul 20 2023

web the manual provides descriptions and pictures portraying proper tissue handling and

decca bridgemaster 2 manual by hori arina pdf blog enterprize - Dec 01 2021

read free decca bridgemaster 2 manual by hori arina - May 18 2023

web decca bridgemaster 2 manual books and pamphlets including serials and

decca bridgemaster 2 manual by hori arina full pdf - Jul 08 2022

web decca bridgemaster 2 manual downloaded from controlplane themintgaming.com by

decca bridgemaster 2 manual home rightster.com - Oct 11 2022

web 10 decca bridgemaster 2 manual by hori arina 2022 03 24 the ais function on the

decca bridgemaster 2 manual cyberlab sutd.edu.sg - Apr 17 2023

web decca bridgemaster 2 manual this book describes the underlying behaviour of steel
download solutions decca bridgemaster 2 manual by hori arina - Jan 14 2023

web decca bridgemaster 2 manual by hori arina 3 3 modeling variance dynamic models
leica geosystems mc 200 depthmaster user manual - Mar 04 2022

web decca bridgemaster 2 manual by vintage lionel freight train layout teams up with
downloadable free pdfs decca bridgemaster 2 manual by hori - Jan 02 2022

web validating the ebook radar decca bridgemaster 2 instruction manual in pdf radar
bridgemaster e marinsat marine electronics - Aug 21 2023

web decca bridgemaster 2 manual by hori arina the measurement of moral judgement
decca bridgemaster 2 manual pivotid uvu edu - Mar 16 2023

web decca bridgemaster 2 manual by hori arina manual of human histology v 2 1854
decca bridgemaster 2 manual uniport edu ng - Apr 05 2022

web page 1 mc 200 depthmaster user manual version 1 1 english page 2 the type and
decca bridgemaster 2 manual by hori arina 2022 - Dec 13 2022

web decca bridgemaster 2 manual by hori arina poor s manual of the railroads of the
decca bridgemaster ii manual - May 06 2022

web sep 5 2023 decca bridgemaster 2 manual 3 4 downloaded from uniport edu ng on
the incredible power of staff networks kindle edition - May 18 2022

web staff networks can be effective influential and innovative the book sets out to make the business case for staff networks
so that board members hr and anyone involved in

the incredible power of staff networks blackwell s - Jan 26 2023

web jan 27 2015 the incredible power of staff networks a beacon which shines a light on innovation and creative co
operation cutting across all levels of an organisation

staff networks the power of staff networks - Oct 03 2023

web what we do the power of staff networks offer a broad range of development services for staff networks and the wider
organisation take a look at our site to find out more

the incredible power of staff networks by cherron inko tariah - Jul 20 2022

web each month our development consultant sally ward recommends a resource to help you in your work for march s theme
networkology part one sally takes a look at the

the incredible power of staff networks abebooks - Oct 23 2022

web the incredible power of staff networks sets out to serve two important functions make the business case for staff networks so that board members those in hr and anyone

the incredible power of staff networks google books - Sep 02 2023

web feb 24 2015 the incredible power of staff networks cherron inko tariah mbe filament publishing limited feb 24 2015 146 pages the incredible power of staff

the incredible power of staff networks paperback - Feb 24 2023

web the fantastic book by cherron inko tariah has been described as the one stop shop for staff networks practical advice spread over 10 chapters this book is essential reading

the incredible power of staff networks paperback - Mar 28 2023

web jan 27 2015 isbn 9781910125618 number of pages 144 weight 319 g dimensions 229 x 152 x 8 mm media reviews when staff networks get together to find

9781910125618 the incredible power of staff networks abebooks - Dec 25 2022

web the incredible power of staff networks sets out to serve two important functions make the business case for staff networks so that board members those in hr and anyone

the incredible power of staff networks abebooks - Sep 21 2022

web the incredible power of staff networks inko tariah mbe cherron 4 4 avg rating 10 ratings by goodreads softcover isbn 10 1910125776 isbn 13 9781910125779

the incredible power of staff networks kindle edition - Aug 21 2022

web mar 9 2015 the incredible power of staff networks kindle edition by inko tariah mbe cherron download it once and read it on your kindle device pc phones or tablets use

the incredible power of staff networks blackwell s - Apr 28 2023

web feb 24 2015 publisher s synopsis the incredible power of staff networks sets out to serve two important functions make the business case for staff networks so that board

the incredible power of staff networks facebook - Jun 18 2022

web the incredible power of staff networks 139 likes this new book is a beacon which shines a light on innovation and creative co operation cutting across

the incredible power of staff networks paperback amazon - May 30 2023

web the incredible power of staff networks inko tariah mbe cherron amazon sg books

the incredible power of staff networks amazon co uk - Aug 01 2023

web the incredible power of staff networks sets out to serve two important functions make the business case for staff

networks so that board members those in hr and anyone

the incredible power of staff networks by cherron inko tariah mbe - Jun 30 2023

web the incredible power of staff networks book read reviews from world s largest community for readers staff networks can be effective influential and in

the incredible power of staff networks by cherron inko tariah - Nov 23 2022

web the incredible power of staff networks by cherron inko tariah reviews no reviews add to cart 6 90 new rrp 12 00 condition very good only 1 left summary

the incredible power of staff networks posts facebook - Apr 16 2022

web the incredible power of staff networks 132 likes this new book is a beacon which shines a light on innovation and creative co operation cutting across all levels of an