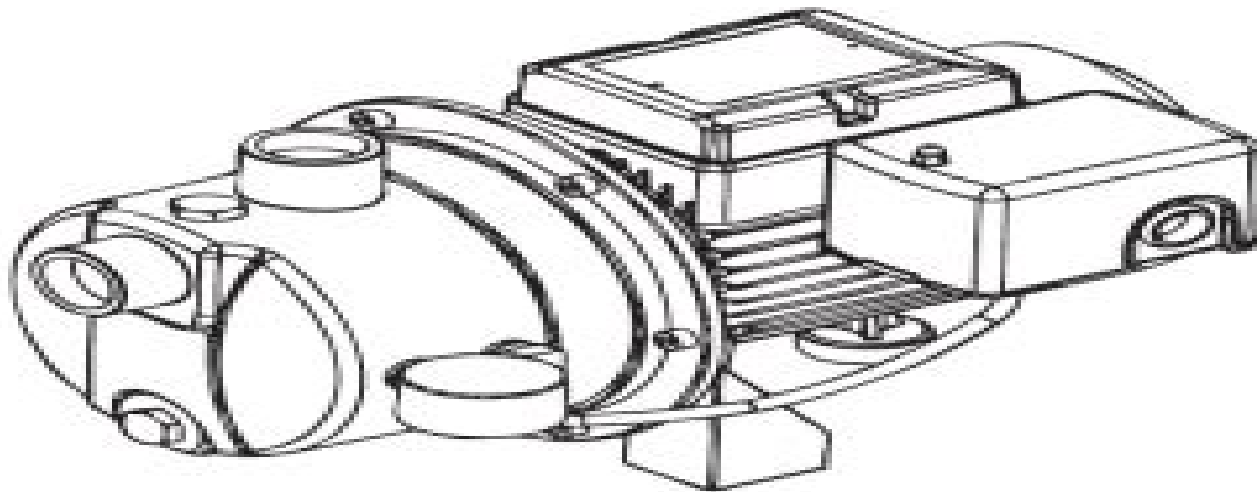


model no. 062-3423-8



Stainless Steel  
**SHALLOW WELL JET PUMP**



**IMPORTANT:**  
Please read this manual carefully before running  
this pump and save it for reference.

**INSTRUCTION  
MANUAL**

# Mastercraft Jet Pump Manuals

**David Baud**



## **Mastercraft Jet Pump Manuals:**

ASHRAE Handbook & Product Directory ,1975     *Ski* ,1987-06     Popular Mechanics ,1971-07 Popular Mechanics inspires instructs and influences readers to help them master the modern world Whether it s practical DIY home improvement tips gadgets and digital technology information on the newest cars or the latest breakthroughs in science PM is the ultimate guide to our high tech lifestyle     ASHRAE Handbook & Product Directory American Society of Heating, Refrigerating and Air-Conditioning Engineers,1975     Chemical Engineering Equipment Buyers' Guide ,1990     *Accepted Meat and Poultry Equipment* ,1978     *Regional Industrial Buying Guide* ,2002     **Popular Mechanics** ,1958-06 Popular Mechanics inspires instructs and influences readers to help them master the modern world Whether it s practical DIY home improvement tips gadgets and digital technology information on the newest cars or the latest breakthroughs in science PM is the ultimate guide to our high tech lifestyle     **Popular Mechanics** ,1980-08 Popular Mechanics inspires instructs and influences readers to help them master the modern world Whether it s practical DIY home improvement tips gadgets and digital technology information on the newest cars or the latest breakthroughs in science PM is the ultimate guide to our high tech lifestyle     Greater Allegheny Regional Industrial Purchasing Guide ,1986     **Factory** ,1964     *Home Craftsman* ,1949     **Popular Mechanics** ,1971     **Factory The Magazine of Manufacturing.April,1964** Factory The Magazine of Manufacturing.April,1964,1964     *Mechanix Illustrated* ,1953     **Drug and Cosmetic Catalog** ,1996     *Pennsylvania Farmer* ,1953     *Drug & Cosmetic Industry* ,1996 With 1993 94 includes consulting and special services private formula contract packagers service manufacturing aerosols packages and packaging materials machinery and equipment raw material directory associations of the industry trade name directory and a suppliers address section     Popular Science ,1968     The Farmer ,1961

If you ally habit such a referred **Mastercraft Jet Pump Manuals** books that will present you worth, get the utterly best seller from us currently from several preferred authors. If you want to funny books, lots of novels, tale, jokes, and more fictions collections are with launched, from best seller to one of the most current released.

You may not be perplexed to enjoy every books collections Mastercraft Jet Pump Manuals that we will extremely offer. It is not not far off from the costs. Its about what you craving currently. This Mastercraft Jet Pump Manuals, as one of the most keen sellers here will certainly be along with the best options to review.

<http://www.armchairempire.com/About/Resources/default.aspx/Haake%20Dc30%20Manual.pdf>

## **Table of Contents Mastercraft Jet Pump Manuals**

1. Understanding the eBook Mastercraft Jet Pump Manuals
  - The Rise of Digital Reading Mastercraft Jet Pump Manuals
  - Advantages of eBooks Over Traditional Books
2. Identifying Mastercraft Jet Pump Manuals
  - Exploring Different Genres
  - Considering Fiction vs. Non-Fiction
  - Determining Your Reading Goals
3. Choosing the Right eBook Platform
  - Popular eBook Platforms
  - Features to Look for in an Mastercraft Jet Pump Manuals
  - User-Friendly Interface
4. Exploring eBook Recommendations from Mastercraft Jet Pump Manuals
  - Personalized Recommendations
  - Mastercraft Jet Pump Manuals User Reviews and Ratings
  - Mastercraft Jet Pump Manuals and Bestseller Lists
5. Accessing Mastercraft Jet Pump Manuals Free and Paid eBooks

- Mastercraft Jet Pump Manuals Public Domain eBooks
  - Mastercraft Jet Pump Manuals eBook Subscription Services
  - Mastercraft Jet Pump Manuals Budget-Friendly Options
6. Navigating Mastercraft Jet Pump Manuals eBook Formats
    - ePub, PDF, MOBI, and More
    - Mastercraft Jet Pump Manuals Compatibility with Devices
    - Mastercraft Jet Pump Manuals Enhanced eBook Features
  7. Enhancing Your Reading Experience
    - Adjustable Fonts and Text Sizes of Mastercraft Jet Pump Manuals
    - Highlighting and Note-Taking Mastercraft Jet Pump Manuals
    - Interactive Elements Mastercraft Jet Pump Manuals
  8. Staying Engaged with Mastercraft Jet Pump Manuals
    - Joining Online Reading Communities
    - Participating in Virtual Book Clubs
    - Following Authors and Publishers Mastercraft Jet Pump Manuals
  9. Balancing eBooks and Physical Books Mastercraft Jet Pump Manuals
    - Benefits of a Digital Library
    - Creating a Diverse Reading Collection Mastercraft Jet Pump Manuals
  10. Overcoming Reading Challenges
    - Dealing with Digital Eye Strain
    - Minimizing Distractions
    - Managing Screen Time
  11. Cultivating a Reading Routine Mastercraft Jet Pump Manuals
    - Setting Reading Goals Mastercraft Jet Pump Manuals
    - Carving Out Dedicated Reading Time
  12. Sourcing Reliable Information of Mastercraft Jet Pump Manuals
    - Fact-Checking eBook Content of Mastercraft Jet Pump Manuals
    - Distinguishing Credible Sources
  13. Promoting Lifelong Learning
    - Utilizing eBooks for Skill Development

- Exploring Educational eBooks
- 14. Embracing eBook Trends
  - Integration of Multimedia Elements
  - Interactive and Gamified eBooks

## **Mastercraft Jet Pump Manuals Introduction**

In this digital age, the convenience of accessing information at our fingertips has become a necessity. Whether its research papers, eBooks, or user manuals, PDF files have become the preferred format for sharing and reading documents. However, the cost associated with purchasing PDF files can sometimes be a barrier for many individuals and organizations. Thankfully, there are numerous websites and platforms that allow users to download free PDF files legally. In this article, we will explore some of the best platforms to download free PDFs. One of the most popular platforms to download free PDF files is Project Gutenberg. This online library offers over 60,000 free eBooks that are in the public domain. From classic literature to historical documents, Project Gutenberg provides a wide range of PDF files that can be downloaded and enjoyed on various devices. The website is user-friendly and allows users to search for specific titles or browse through different categories. Another reliable platform for downloading Mastercraft Jet Pump Manuals free PDF files is Open Library. With its vast collection of over 1 million eBooks, Open Library has something for every reader. The website offers a seamless experience by providing options to borrow or download PDF files. Users simply need to create a free account to access this treasure trove of knowledge. Open Library also allows users to contribute by uploading and sharing their own PDF files, making it a collaborative platform for book enthusiasts. For those interested in academic resources, there are websites dedicated to providing free PDFs of research papers and scientific articles. One such website is Academia.edu, which allows researchers and scholars to share their work with a global audience. Users can download PDF files of research papers, theses, and dissertations covering a wide range of subjects. Academia.edu also provides a platform for discussions and networking within the academic community. When it comes to downloading Mastercraft Jet Pump Manuals free PDF files of magazines, brochures, and catalogs, Issuu is a popular choice. This digital publishing platform hosts a vast collection of publications from around the world. Users can search for specific titles or explore various categories and genres. Issuu offers a seamless reading experience with its user-friendly interface and allows users to download PDF files for offline reading. Apart from dedicated platforms, search engines also play a crucial role in finding free PDF files. Google, for instance, has an advanced search feature that allows users to filter results by file type. By specifying the file type as "PDF," users can find websites that offer free PDF downloads on a specific topic. While downloading Mastercraft Jet Pump Manuals free PDF files is convenient, its important to note that copyright laws must be respected. Always ensure that the PDF files you download are legally

available for free. Many authors and publishers voluntarily provide free PDF versions of their work, but it's essential to be cautious and verify the authenticity of the source before downloading Mastercraft Jet Pump Manuals. In conclusion, the internet offers numerous platforms and websites that allow users to download free PDF files legally. Whether it's classic literature, research papers, or magazines, there is something for everyone. The platforms mentioned in this article, such as Project Gutenberg, Open Library, Academia.edu, and Issuu, provide access to a vast collection of PDF files. However, users should always be cautious and verify the legality of the source before downloading Mastercraft Jet Pump Manuals any PDF files. With these platforms, the world of PDF downloads is just a click away.

### **FAQs About Mastercraft Jet Pump Manuals Books**

How do I know which eBook platform is the best for me? Finding the best eBook platform depends on your reading preferences and device compatibility. Research different platforms, read user reviews, and explore their features before making a choice. Are free eBooks of good quality? Yes, many reputable platforms offer high-quality free eBooks, including classics and public domain works. However, make sure to verify the source to ensure the eBook credibility. Can I read eBooks without an eReader? Absolutely! Most eBook platforms offer web-based readers or mobile apps that allow you to read eBooks on your computer, tablet, or smartphone. How do I avoid digital eye strain while reading eBooks? To prevent digital eye strain, take regular breaks, adjust the font size and background color, and ensure proper lighting while reading eBooks. What the advantage of interactive eBooks? Interactive eBooks incorporate multimedia elements, quizzes, and activities, enhancing the reader engagement and providing a more immersive learning experience. Mastercraft Jet Pump Manuals is one of the best book in our library for free trial. We provide copy of Mastercraft Jet Pump Manuals in digital format, so the resources that you find are reliable. There are also many Ebooks of related with Mastercraft Jet Pump Manuals. Where to download Mastercraft Jet Pump Manuals online for free? Are you looking for Mastercraft Jet Pump Manuals PDF? This is definitely going to save you time and cash in something you should think about. If you trying to find then search around for online. Without a doubt there are numerous these available and many of them have the freedom. However without doubt you receive whatever you purchase. An alternate way to get ideas is always to check another Mastercraft Jet Pump Manuals. This method for see exactly what may be included and adopt these ideas to your book. This site will almost certainly help you save time and effort, money and stress. If you are looking for free books then you really should consider finding to assist you try this. Several of Mastercraft Jet Pump Manuals are for sale to free while some are payable. If you arent sure if the books you would like to download works with for usage along with your computer, it is possible to download free trials. The free guides make it easy for someone to free access online library for download books to your device. You can get free download on free

trial for lots of books categories. Our library is the biggest of these that have literally hundreds of thousands of different products categories represented. You will also see that there are specific sites catered to different product types or categories, brands or niches related with Mastercraft Jet Pump Manuals. So depending on what exactly you are searching, you will be able to choose e books to suit your own need. Need to access completely for Campbell Biology Seventh Edition book? Access Ebook without any digging. And by having access to our ebook online or by storing it on your computer, you have convenient answers with Mastercraft Jet Pump Manuals To get started finding Mastercraft Jet Pump Manuals, you are right to find our website which has a comprehensive collection of books online. Our library is the biggest of these that have literally hundreds of thousands of different products represented. You will also see that there are specific sites catered to different categories or niches related with Mastercraft Jet Pump Manuals So depending on what exactly you are searching, you will be able to choose ebook to suit your own need. Thank you for reading Mastercraft Jet Pump Manuals. Maybe you have knowledge that, people have search numerous times for their favorite readings like this Mastercraft Jet Pump Manuals, but end up in harmful downloads. Rather than reading a good book with a cup of coffee in the afternoon, instead they juggled with some harmful bugs inside their laptop. Mastercraft Jet Pump Manuals is available in our book collection an online access to it is set as public so you can download it instantly. Our digital library spans in multiple locations, allowing you to get the most less latency time to download any of our books like this one. Merely said, Mastercraft Jet Pump Manuals is universally compatible with any devices to read.

### **Find Mastercraft Jet Pump Manuals :**

**haake dc30 manual**

**gun control gateway to tyranny the nazi weapons law 18 march 1938**

**guidelines practical tips for working and socializing with deaf blind people**

[gym exercise at home guide pic](#)

[guided reading and study workbook chapter 10 answer key](#)

**haffertee starts school**

**h fer stra enkarten polen hinterpommern klaus**

**haccp study guide**

[haar van boven blonde greet](#)

[h5919 honda cbr125250r 2011 2014 crf250lm 2013 2014 haynes repair manual](#)

[gwenchlan scou zec gregory h moigne](#)

[guided study work answers biology](#)



**gymnastiek voor zwangeren en kraamvrouwen**

haier manuals washing machine

*guidelines and standard operating procedures*

**Mastercraft Jet Pump Manuals :**

**aramco announces record full year 2022 results aramco** - Feb 19 2022

web mar 12 2023 free cash flow reached a record 148 5 billion in 2022 compared to 107 5 billion in 2021 aramco continues to emphasize a strong balance sheet and its gearing ratio at the end of 2022 was 7 9 compared to 12 0 at the end of 2021 aramco declared a dividend of 19 5 billion for the fourth quarter to be paid in q1 2023

**where energy is opportunity aramco singapore** - Oct 18 2021

web oct 26 2023 the yanbu aramco sinopec refining company yasref ltd a joint venture between saudi aramco and china petrochemical corporation sinopec is a world class full conversion refinery that covers about 5 2 million square meters in the yanbu industrial city and is the key anchor project in yanbu

**saudi aramco air products and acwa to form usd8bn jv** - Sep 28 2022

web moscow saudi aramco air products and acwa power are set to form an usd8bn gasification power joint venture jv in jazan economic city jec in saudi arabia as per hydrocarbons technology the companies have signed a term sheet to form the jv which will buy the gasification assets power block and the associated utilities from saudi

saudi arabia air quality index aqi and air pollution information - Jul 07 2023

web in accordance with the world health organisation s guidelines the quality of air in saudi arabia is considered to be unsafe latest data indicates that the country s annual average concentration of pm2 5 is 88 µg m<sup>3</sup> which considerably exceeds the recommended maximum of 10 µg m<sup>3</sup>

saudi aramco air products and acwa power to form over 8 - Mar 03 2023

web saudi aramco air products nyse apd and acwa power today announced the signing of a term sheet to form an over 8billion gasification power joint venture jv located at jazan economic city jec in saudi arabia

aramco air condition mail thekingiscoming com - Mar 23 2022

web 2 aramco air condition 2023 09 18 was launched in 1956 for all those men and women who are interested in scientific discovery and in its industrial commercial and social consequences the brand s mission is no different today for its consumers new scientist reports explores and interprets the results of human endeavour set in

**aramco air condition store spiralny com** - Nov 18 2021

web 2 aramco air condition 2022 03 13 consolidation of america s kingdom under the house of fahd the royal faction that still

rules today this is a meticulously researched account of aramco as a microcosm of the colonial order business week  
cambridge university press

delhi air pollution spikes to 100 times who health limit - Jun 25 2022

web nov 3 2023 schools were shut and non essential construction was banned around delhi as the air quality index in the city hit 500 the highest the measurement will go and 100 times the limit deemed to be

*saudi aramco s ambient air quality and source emission* - Aug 08 2023

web apr 2 2012 many advanced technologies are used to measure or control the level of air pollutants emitted to the atmosphere from saudi aramco s industrial facilities this paper explains the efforts towards eliminating any footprint on air quality by achieving zero hydrocarbon discharge during necessary flow back operations

*air conditioning company qatar amco* - Aug 28 2022

web arabian air conditioning manufacturing company amco is one of almalki group holding company in qatar amco is partnering with acs klima as joint venture under the brand of climacs amco is established to supply the needs of qatar bahrain kuwait uae jordan egypt and other middle east countries in air conditioning sector

carbon capture utilization storage aramco - Sep 09 2023

web in 2020 aramco confirmed that it would proceed with the divestment of the jazan integrated gasification and combined cycle plant into a joint venture jv between aramco air products acwa power and air products qudra integrating the air separation unit into the jv

*aviation introduces new fleet for enhanced safety aramco* - Jan 21 2022

web dhahran january 23 2019 as part of its effort to maintain and enhance the safety of the company s fleet the aviation department has introduced a number of airbus h145 pictured and augustawestland aw 139 aircraft to its fleet

mena climate week emission projects aramco life - Jun 06 2023

web oct 9 2023 mena climate week 2023 aramco advances development of emissions reduction solutions lower carbon hydrogen demonstration plant direct air capture test unit novel co2 sequestration and geothermal energy projects among mitigation projects

**aramco air condition stage gapinc com** - Oct 30 2022

web aramco air condition new scientist a pocket guide to the middle east wells of ibn saud scammed da pam final environmental impact statement critical infrastructure protection xii kingdom and how oil and aramco quickly became america s largest single overseas private enterprise from the establishment in the 1930s of a jim crow system in

*where energy is opportunity aramco* - May 25 2022

web in 2020 aramco confirmed that it would proceed with the divestment of the jazan integrated gasification and combined

cycle plant into a joint venture jv between aramco air products acwa power and air products qudra integrating the air separation unit into the jv

*air condition saad al mulhim saudi arabia - Feb 02 2023*

web by the year 1994 al mulhim air conditioning was fully qualified to register as one of the main contractors for heating ventilation air condition system hvac s work in saudi aramco and saudi consolidated eclectic company sceco

*saudi aramco total refining petrochemical - Oct 10 2023*

web air saturated moist air in which the partial pressure of water vapor equals the vapor pressure of water at the existing temperature air standard dry air at a pressure of 101 35 kpa 29 92 in hg at 20 c 68 f temperature

**aramco air condition** - Jul 27 2022

web aramco air condition 2023 usa tgifridays com subject aramco air condition 2023 created date 20210223124647pm

**saudi aramco hvac qc interview questions englogs** - Jan 01 2023

web qa qc guidance handbooks oil gas all things are based on aramco standard saudi aramco hvac qc interview questions practice is updated with most recent oil gas international saudi aramco standards

**operating on the cutting edge of technology aramco** - Dec 20 2021

web mar 30 2023 in 2020 aramco confirmed that it would proceed with the divestment of the jazan integrated gasification and combined cycle plant into a joint venture jv between aramco air products acwa power and air products qudra integrating the air separation unit into the jv

*saudi aramco exclusive offer* ██████████ - Nov 30 2022

web saudi aramco exclusive offer the joy of travel just got even better with saudia enjoy saudia s exclusive deal for saudi aramco staff on international flights save up to 22 and travel with your family to your favorite destinations and enjoy the highest quality of service we get to offer on our new fleet

*careers aramco* - Apr 23 2022

web we are aramco our high performing employees are drawn by the challenging and rewarding professional opportunities we offer and by the opportunity to make a positive difference through their work helping to protect air quality and reducing so2 emissions by more than 18 000 metric tons per year as compared to the conventional claus process

**saudi aramco wikipedia** - May 05 2023

web saudi aramco arabic ██████████ ██████████ 'arām kū as su'ūdiyyah officially the saudi arabian oil group or simply aramco is the mostly state owned petroleum and natural gas company of saudi arabia 6 7 as of 2022 it is the second largest company in the world by revenue 8 and is headquartered in dhahran

annual report 2022 aramco - Apr 04 2023

web capturing growth opportunities and generating long term value aramco s unprecedented financial results for 2022 reinforce our ability to generate consistent value for our shareholders across price cycles while also providing energy

**courting darkness his fair assassin band 4 dan brown** - Jul 02 2022

web insight of this courting darkness his fair assassin band 4 can be taken as with ease as picked to act heir of fire sarah j maas 2014 09 02 the heir of ash and fire bows to no one a new threat rises in the third book in the 1 bestselling throne of glass series by sarah j maas celaena sardothien has survived deadly contests and shattering

kusursuz kiracı dizisi 4 bölüm fox - Mar 30 2022

web kusursuz kiracı 4 bölümü izlemek için tıkla kusursuz kiracı dizisinin tüm bölümleri yüksek görüntü kalitesi ve hızlı yüklenen yayın özellikleriyle bu sayfada

**courting darkness his fair assassin book 4 kindle edition** - Jun 13 2023

web courting darkness his fair assassin book 4 ebook lafevers robin amazon com au kindle store

**courting darkness his fair assassin by robin lafevers** - Aug 03 2022

web feb 21 2019 first in a duology this darkly thrilling page turner set in the world of the best selling his fair assassin series is perfect for fans of throne of glass red queen and a game of thrones

**his fair assassin courting darkness series by robin** - Oct 05 2022

web his fair assassin grave mercy dark triumph mortal heart courting darkness courting darkness igniting darkness description grave mercy young beautiful and deadly

*his fair assassin series by robin lafevers goodreads* - May 12 2023

web by robin lafevers 4 45 161 ratings 6 reviews 4 editions in fifteenth century france the convent of saint want to read rate it

**courting darkness series by robin lafevers goodreads** - Mar 10 2023

web courting darkness series 2 primary works 2 total works set in the same world as the author s his fair assassin series from the author re his fair assassin series and this book since courting darkness is the first of a new duology no you do not have to read the first three books before cd

darbe gecesi çalınan dosyalar yalnız kurt 4 bölüm youtube - Jan 28 2022

web bö yalnız kurt 4 bölüm altay yayından fırlayan ok gibi hedefine gitmektedir kardeşinin intikamını almak için yanıp tutuşan sare altay ın da doğan ın peşini

**his fair assassin 4 courting darkness ebook robin lafevers** - Dec 07 2022

web his fair assassin 4 courting darkness when sybella accompanies the duchess of brittany to france she expects trouble but she isn t expecting a his fair assassin 4 courting darkness ebook robin lafevers 9781787611634 boeken bol com

[9781783448265 courting darkness his fair assassin band 4](#) - Feb 09 2023

web courting darkness his fair assassin band 4 finden sie alle bücher von lafevers robin bei der büchersuchmaschine eurobuch com können sie antiquarische und neubücher vergleichen und sofort zum bestpreis bestellen 9781783448265 andersen taschenbuch 544 seiten publiziert 2019 02 21t00 00 01z

**amazon de kundenrezensionen courting darkness his fair assassin band 4** - Dec 27 2021

web finde hilfreiche kundenrezensionen und rezensionsbewertungen für courting darkness his fair assassin band 4 auf amazon de lese ehrliche und unvoreingenommene rezensionen von unseren nutzern

*courting darkness his fair assassin book 4 kindle edition* - Apr 11 2023

web courting darkness his fair assassin book 4 ebook lafevers robin amazon co uk kindle store

*courting darkness his fair assassin band 4 amazon de* - Aug 15 2023

web courting darkness his fair assassin band 4 lafevers robin isbn 9781783448265 kostenloser versand für alle bücher mit versand und verkauf duch amazon

*sen yanımdayken iyi oluyorum kaçın kurası 4 bölüm final* - Apr 30 2022

web oct 18 2017 muzaffer in renk i barış a istemesi medyaya sızıyor bu depremin şiddeti tüm ülkede hissedilirken barış ile renk in evlilik haberi gündeme bomba gibi düşüyor yiğit ve sedef neriman engelini aşmaya çalışırken neriman in sözleri yiğit i onarılması güç hasarlarla baş başa bırakıyor kalbi kırılan genç adamın çaresizliği ikiliyi boşanmanın

**pandora courting darkness his fair assassin robin** - Jun 01 2022

web courting darkness his fair assassin robin lafevers andersen 9781783448265 kitap

**sen belanın başısın kaçın kurası 4 bölüm final atv** - Feb 26 2022

web oct 11 2017 tam ekran izle sen belanın başısın kaçın kurası 4 bölüm final atv atv bildir 6 yıl önce muzaffer in renk i barış a istemesi medyaya sızıyor bu depremin şiddeti tüm ülkede hissedilirken barış ile renk in evlilik haberi gündeme bomba gibi düşüyor

**courting darkness robin lafevers google books** - Sep 04 2022

web 0 reviews reviews aren t verified but google checks for and removes fake content when it s identified first in a duology this darkly thrilling page turner set in the world of the best selling his fair assassin series is perfect for fans of throne of glass red queen and game of thrones

**courting darkness von robin lafevers ebook orell füssli** - Jan 08 2023

web his fair assassin band 4 courting darkness robin lafevers ebook fr 14 90 inkl gesetzl mwst versandkostenfrei gebundenes buch weitere bände von his fair assassin zur artikeldetailseite von grave mercy des autors robin lafevers band 1 robin lafevers grave mercy ebook fr 14 90 1

[courting darkness his fair assassin band 4 paperback amazon de](#) - Jul 14 2023

web courting darkness his fair assassin band 4 lafevers robin amazon de books

[courting darkness his fair assassin amazon co uk](#) - Nov 06 2022

web r l lafevers robin lorraine when she s in really big trouble grew up surrounded by shelves of old dusty books a passel of brothers and a wide variety of pets including a goat chickens chipmunks a baby anteater and for a few short weeks two bear cubs who were very wild and untamed

[audiobook learn danish word power 2001](#) - Jul 04 2023

web the vocabulary words you ll find in learn danish word power 2001 were hand selected by our danish language teachers as the top 2001 most frequently used words in the

**learn danish word power 2001 audible india** - Oct 27 2022

web learn danish word power 2001 as it s meant to be heard narrated by danishclass101 com discover the english audiobook at audible free trial available

**danish language learning audio books audible co uk** - Sep 25 2022

web learn danish word power 2001 intermediate danish by innovative language learning narrated by danishclass101 com length 3 hrs and 4 mins unabridged

**Скачать danishpod101 learn danish word power 2001** - Nov 15 2021

web innovative language 2011 1993 p mp3 128kkps master danish with learn danish word power 2001 this e book is a completely new way to learn danish vocabulary

[learn danish word power 101 on apple books](#) - Dec 17 2021

web the vocabulary words you ll find in learn danish word power 101 were hand selected by our danish language teachers as the top 101 most frequently used words in the danish

[learn danish word power 2001 by innovative language](#) - Dec 29 2022

web master danish with learn danish word power 2001 this e book is a completely new way to learn danish vocabulary fast start speaking danish in minutes with the powerful

**learn danish word power 2001 audible com** - May 02 2023

web master danish with learn danish word power 2001 this audiobook is a completely new way to learn danish vocabulary fast start speaking danish in minutes with the powerful

**danish language books listen on audible** - Jun 22 2022

web jan 6 2017 master danish with learn danish word power 2001 this audiobook is a completely new way to learn danish vocabulary fast start speaking danish in minutes

**learn danish word power 2001 intermediate danish pdf** - Apr 20 2022

web learn danish word power 2001 intermediate danish downloaded from testapi mobal com by guest kaelyn marquez the palgrave international handbook

**intermediate danish books listen on audible** - May 22 2022

web explore the best selling and newly released intermediate danish on audible new to audible try audible free

[learn danish word power 2001 intermediate danish flavia](#) - Mar 20 2022

web it is your definitely own times to con reviewing habit in the middle of guides you could enjoy now is learn danish word power 2001 intermediate danish below popular

**learn danish word power 2001 intermediate danish audio** - Sep 06 2023

web learn danish word power 2001 intermediate danish audio download innovative language learning danishclass101 com innovative language learning llc

[intermediate danish audiobooks audible com](#) - Aug 05 2023

web aug 20 2012 start speaking danish in minutes with the powerful learning methods you will master in this book the vocabulary words you ll find in learn danish word

**danishpod101 learn danish word power 2001 sciarium** - Jul 24 2022

web dec 12 2012 the vocabulary words you ll find in learn danish word power 2001 were hand selected by our danish language teachers as the top 2001 most frequently used

[learn danish word power 2001 intermediate danish download](#) - Feb 16 2022

web learn danish word power 2001 intermediate danish legal procedure and practice in medieval denmark per andersen 2011 05 23 this book offers a comprehensive

[learn danish word power 2001 intermediate danish unabridged](#) - Jun 03 2023

web aug 20 2012 master danish with learn danish word power 2001 this audiobook is a completely new way to learn danish vocabulary fast start speaking danish in minutes

**learn danish word power 2001 ebook barnes noble** - Nov 27 2022

web dec 21 2011 master danish with learn danish word power 2001 this e book is a completely new way to learn danish vocabulary fast start speaking danish in minutes

[danish audiobooks in language learning audible com](#) - Aug 25 2022

web learn danish word power 2001 intermediate danish by innovative language learning narrated by danishclass101 com length 3 hrs and 4 mins unabridged

[danish innovative language learning audiobooks audible com](#) - Apr 01 2023

web master danish with learn danish word power 2001 this audiobook is a completely new way to learn danish vocabulary fast start speaking danish in minutes with the powerful

**learn danish word power 2001 intermediate danish unabridged** - Jan 18 2022

web aug 20 2012 master danish with learn danish word power 2001 this audiobook is a completely new way to learn danish vocabulary fast start speaking danish in minutes

**learn danish word power 2001 intermediate danish audible** - Jan 30 2023

web learn danish word power 2001 intermediate danish audible audio edition innovative language learning danishclass101 com innovative language learning llc

*learn danish word power 2001 intermediate danish unabridged* - Oct 07 2023

web start speaking danish in minutes with the powerful learning methods you will master in this book the vocabulary words you ll find in learn danish word power 2001 were hand

**learn danish word power 2001 apple books** - Feb 28 2023

web nov 22 2012 9 99 publisher description master danish with learn danish word power 2001 this e book is a completely new way to learn danish vocabulary fast start