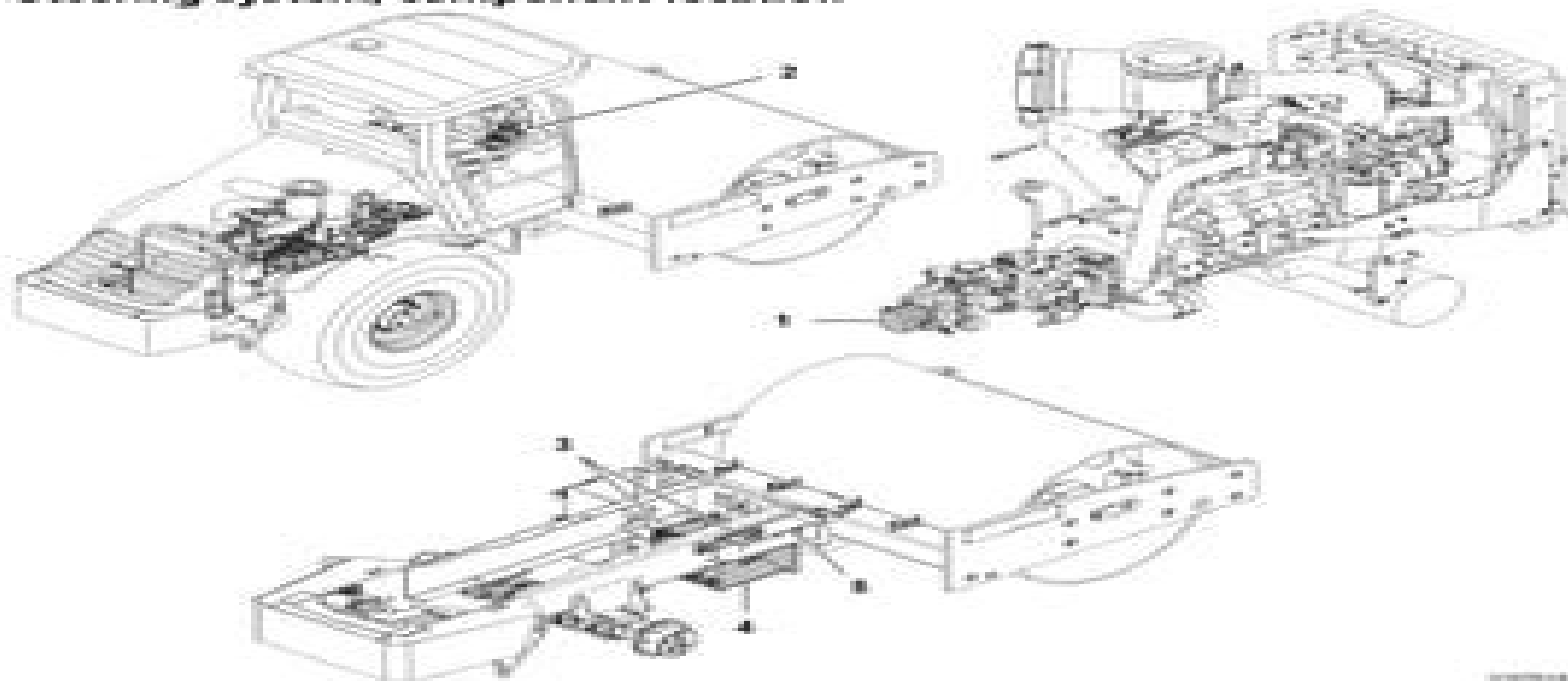


Document Title: <b>Steering system, component location</b>	Function Group: <b>440</b>	Information Type: <b>Service Information</b>	Date: <b>2015/9/28</b>
Profile: <b>COL, SOLADOK (SR)</b>			

**Steering system, component location**



**Figure 3**  
**Steering system, components**

- 1. Steering pump
- 2. Steering valve, (torque motor)
- 3. Steering cylinders
- 4. Hydraulic tank
- 5. Return filter

# Ingersoll Rand Sd116 Roller Service Manual

**Tobias Bleicker**



**Ingersoll Rand Sd116 Roller Service Manual:**

If you ally infatuation such a referred **Ingersoll Rand Sd116 Roller Service Manual** book that will have enough money you worth, acquire the utterly best seller from us currently from several preferred authors. If you desire to humorous books, lots of novels, tale, jokes, and more fictions collections are then launched, from best seller to one of the most current released.

You may not be perplexed to enjoy every book collections Ingersoll Rand Sd116 Roller Service Manual that we will unquestionably offer. It is not vis--vis the costs. Its just about what you habit currently. This Ingersoll Rand Sd116 Roller Service Manual, as one of the most lively sellers here will no question be in the middle of the best options to review.

[http://www.armchairempire.com/results/book-search/Documents/kawasaki\\_fj400d\\_4\\_stroke\\_air\\_cooled\\_gasoline\\_engine\\_service\\_repair\\_workshop\\_manual.pdf](http://www.armchairempire.com/results/book-search/Documents/kawasaki_fj400d_4_stroke_air_cooled_gasoline_engine_service_repair_workshop_manual.pdf)

## **Table of Contents Ingersoll Rand Sd116 Roller Service Manual**

1. Understanding the eBook Ingersoll Rand Sd116 Roller Service Manual
  - The Rise of Digital Reading Ingersoll Rand Sd116 Roller Service Manual
  - Advantages of eBooks Over Traditional Books
2. Identifying Ingersoll Rand Sd116 Roller Service Manual
  - Exploring Different Genres
  - Considering Fiction vs. Non-Fiction
  - Determining Your Reading Goals
3. Choosing the Right eBook Platform
  - Popular eBook Platforms
  - Features to Look for in an Ingersoll Rand Sd116 Roller Service Manual
  - User-Friendly Interface
4. Exploring eBook Recommendations from Ingersoll Rand Sd116 Roller Service Manual
  - Personalized Recommendations
  - Ingersoll Rand Sd116 Roller Service Manual User Reviews and Ratings
  - Ingersoll Rand Sd116 Roller Service Manual and Bestseller Lists

5. Accessing Ingersoll Rand Sd116 Roller Service Manual Free and Paid eBooks
  - Ingersoll Rand Sd116 Roller Service Manual Public Domain eBooks
  - Ingersoll Rand Sd116 Roller Service Manual eBook Subscription Services
  - Ingersoll Rand Sd116 Roller Service Manual Budget-Friendly Options
6. Navigating Ingersoll Rand Sd116 Roller Service Manual eBook Formats
  - ePub, PDF, MOBI, and More
  - Ingersoll Rand Sd116 Roller Service Manual Compatibility with Devices
  - Ingersoll Rand Sd116 Roller Service Manual Enhanced eBook Features
7. Enhancing Your Reading Experience
  - Adjustable Fonts and Text Sizes of Ingersoll Rand Sd116 Roller Service Manual
  - Highlighting and Note-Taking Ingersoll Rand Sd116 Roller Service Manual
  - Interactive Elements Ingersoll Rand Sd116 Roller Service Manual
8. Staying Engaged with Ingersoll Rand Sd116 Roller Service Manual
  - Joining Online Reading Communities
  - Participating in Virtual Book Clubs
  - Following Authors and Publishers Ingersoll Rand Sd116 Roller Service Manual
9. Balancing eBooks and Physical Books Ingersoll Rand Sd116 Roller Service Manual
  - Benefits of a Digital Library
  - Creating a Diverse Reading Collection Ingersoll Rand Sd116 Roller Service Manual
10. Overcoming Reading Challenges
  - Dealing with Digital Eye Strain
  - Minimizing Distractions
  - Managing Screen Time
11. Cultivating a Reading Routine Ingersoll Rand Sd116 Roller Service Manual
  - Setting Reading Goals Ingersoll Rand Sd116 Roller Service Manual
  - Carving Out Dedicated Reading Time
12. Sourcing Reliable Information of Ingersoll Rand Sd116 Roller Service Manual
  - Fact-Checking eBook Content of Ingersoll Rand Sd116 Roller Service Manual
  - Distinguishing Credible Sources
13. Promoting Lifelong Learning

- Utilizing eBooks for Skill Development
  - Exploring Educational eBooks
14. Embracing eBook Trends
- Integration of Multimedia Elements
  - Interactive and Gamified eBooks

### **Ingersoll Rand Sd116 Roller Service Manual Introduction**

Ingersoll Rand Sd116 Roller Service Manual Offers over 60,000 free eBooks, including many classics that are in the public domain. Open Library: Provides access to over 1 million free eBooks, including classic literature and contemporary works. Ingersoll Rand Sd116 Roller Service Manual Offers a vast collection of books, some of which are available for free as PDF downloads, particularly older books in the public domain. Ingersoll Rand Sd116 Roller Service Manual : This website hosts a vast collection of scientific articles, books, and textbooks. While it operates in a legal gray area due to copyright issues, its a popular resource for finding various publications. Internet Archive for Ingersoll Rand Sd116 Roller Service Manual : Has an extensive collection of digital content, including books, articles, videos, and more. It has a massive library of free downloadable books. Free-eBooks Ingersoll Rand Sd116 Roller Service Manual Offers a diverse range of free eBooks across various genres. Ingersoll Rand Sd116 Roller Service Manual Focuses mainly on educational books, textbooks, and business books. It offers free PDF downloads for educational purposes. Ingersoll Rand Sd116 Roller Service Manual Provides a large selection of free eBooks in different genres, which are available for download in various formats, including PDF. Finding specific Ingersoll Rand Sd116 Roller Service Manual, especially related to Ingersoll Rand Sd116 Roller Service Manual, might be challenging as theyre often artistic creations rather than practical blueprints. However, you can explore the following steps to search for or create your own Online Searches: Look for websites, forums, or blogs dedicated to Ingersoll Rand Sd116 Roller Service Manual, Sometimes enthusiasts share their designs or concepts in PDF format. Books and Magazines Some Ingersoll Rand Sd116 Roller Service Manual books or magazines might include. Look for these in online stores or libraries. Remember that while Ingersoll Rand Sd116 Roller Service Manual, sharing copyrighted material without permission is not legal. Always ensure youre either creating your own or obtaining them from legitimate sources that allow sharing and downloading. Library Check if your local library offers eBook lending services. Many libraries have digital catalogs where you can borrow Ingersoll Rand Sd116 Roller Service Manual eBooks for free, including popular titles. Online Retailers: Websites like Amazon, Google Books, or Apple Books often sell eBooks. Sometimes, authors or publishers offer promotions or free periods for certain books. Authors Website Occasionally, authors provide excerpts or short stories for free on their websites. While this might not be the Ingersoll Rand Sd116 Roller Service Manual full book , it can give you a taste

of the authors writing style. Subscription Services Platforms like Kindle Unlimited or Scribd offer subscription-based access to a wide range of Ingersoll Rand Sd116 Roller Service Manual eBooks, including some popular titles.

### **FAQs About Ingersoll Rand Sd116 Roller Service Manual Books**

How do I know which eBook platform is the best for me? Finding the best eBook platform depends on your reading preferences and device compatibility. Research different platforms, read user reviews, and explore their features before making a choice. Are free eBooks of good quality? Yes, many reputable platforms offer high-quality free eBooks, including classics and public domain works. However, make sure to verify the source to ensure the eBook credibility. Can I read eBooks without an eReader? Absolutely! Most eBook platforms offer web-based readers or mobile apps that allow you to read eBooks on your computer, tablet, or smartphone. How do I avoid digital eye strain while reading eBooks? To prevent digital eye strain, take regular breaks, adjust the font size and background color, and ensure proper lighting while reading eBooks. What the advantage of interactive eBooks? Interactive eBooks incorporate multimedia elements, quizzes, and activities, enhancing the reader engagement and providing a more immersive learning experience. Ingersoll Rand Sd116 Roller Service Manual is one of the best book in our library for free trial. We provide copy of Ingersoll Rand Sd116 Roller Service Manual in digital format, so the resources that you find are reliable. There are also many Ebooks of related with Ingersoll Rand Sd116 Roller Service Manual. Where to download Ingersoll Rand Sd116 Roller Service Manual online for free? Are you looking for Ingersoll Rand Sd116 Roller Service Manual PDF? This is definitely going to save you time and cash in something you should think about.

### **Find Ingersoll Rand Sd116 Roller Service Manual :**

[kawasaki fj400d 4 stroke air cooled gasoline engine service repair workshop manual](#)

[kawasaki ksf250 mojave 1990 factory service repair manual](#)

**kawasaki jet ski manual 15**

**kattenboekje gedichtjes met kleurplaatjes**

[kawasaki brute force 750 service manual repair 2005 2007 kvf 750](#)

[kawasaki ex650 er6f abs ninja 650r digital workshop repair manual 2006 2007](#)

[kawasaki kz250 parts manual](#)

[kaufman speech praxis test for children manual](#)

*kawasaki pvs1665 manual*

**kawasaki khd600b owners manual**

*kawasaki 15 fh430v manual*

[kawasaki 900 zxi jet ski owners manual](#)

~~kawasaki motorcycle service manual kz400~~

**kawasaki f5 service manual**

**kawasaki kvf650 prairie repair manual**

**Ingersoll Rand Sd116 Roller Service Manual :**

**texas made texas modern the house and the land** - Apr 16 2023

web a compelling survey of texas houses that draw both on the heritage of pioneer ranches and on the twentieth century design principles of modernism helen thompson and casey

*texas made texas modern the house and the land hardcover* - Mar 15 2023

web buy texas made texas modern the house and the land 1 by helen thompson isbn 9781580935081 from amazon s book store everyday low prices and free delivery on

**texas made texas modern the house and the land id william** - Oct 10 2022

web computer texas made texas modern the house and the land id is friendly in our digital library an online entry to it is set as public in view of that you can download it instantly

**chapter 158 manufactured housing sales and use** - Jan 01 2022

web sec 158 051 tax imposed a tax is imposed on the initial sale in this state of every new manufactured home at the rate of five percent of the amount of the sales price

**download solutions texas made texas modern the house and** - Nov 30 2021

web texas made texas modern the house and the land id the house by the thames jan 18 2023 just across the river thames from st paul s cathedral stands an old and

**texas made texas modern the house and the land id copy** - Jul 07 2022

web texas made texas modern the house and the land id house mar 31 2022 two stranded couples find shelter in an inn but find themselves trapped in a game with rules

**texas made texas modern the house and the** - Jul 19 2023

web oct 16 2018 a compelling survey of texas houses that draw both on the heritage of pioneer ranches and on the twentieth century design principles of modernism helen



**texas made texas modern the house and the land** - Nov 11 2022

web oct 16 2018 texas made texas modern the house and the land isbn 1580935087 ean13 9781580935081 language english release date oct 16 2018 pages 224

**texas made texas modern the house and the land google** - Sep 21 2023

web oct 16 2018 a compelling survey of texas houses that draw both on the heritage of pioneer ranches and on the twentieth century design principles of modernism helen

texas made texas modern the house and the land id john opie - May 05 2022

web texas made texas modern the house and the land id right here we have countless books texas made texas modern the house and the land id and collections to

**texas made texas modern yumpu** - Jun 06 2022

web texas made texas modern book descriptiona compelling survey of texas houses that draw both on the heritage of pioneer ranches and on show menu buy now swipe

**manufactured housing division tdhca state tx us** - Feb 02 2022

web please feel free to contact the department at 877 313 3023 with any questions you may have you may also signup to receive department announcements and website updates

**texas made texas modern the house and the land hardcover** - Jan 13 2023

web texas made texas modern the house and the land hardcover illustrated 18 october 2018 a compelling survey of texas houses that draw both on the heritage of pioneer

texas made texas modern the house and the land - May 17 2023

web official guide to texas state parks and historic sites new edition texas road and recreation atlas 2nd edition 2022 united tastes of texas authentic recipes from all

**texas made texas modern the house and the land goodreads** - Aug 20 2023

web 23 ratings2 reviews a compelling survey of texas houses that draw both on the heritage of pioneer ranches and on the twentieth century design principles of modernism helen

texas made texas modern the house and the land - Oct 22 2023

web oct 16 2018 a compelling survey of texas houses that draw both on the heritage of pioneer ranches and on the twentieth century design principles of modernism helen thompson and casey dunn the writer photographer team that produced the

texas made texas modern the house and the land id - Apr 04 2022

web modern architecture and climate joe and betty moore texas art a fascinating collage of images covers the broad range of

texas character notable and less than notable from

*texas made texas modern the house and the land by amazon* - Feb 14 2023

web texas made texas modern the house and the land by amazon dwell a compelling survey of texas houses that draw both on the heritage of pioneer ranches and on the

**texas made texas modern yumpu** - Aug 08 2022

web sep 7 2020 texas made texas modern the house and the landbook detailhardcover 224 pages publisher the monacelli press october 16 2018

texas made texas modern the house and the land id copy - Sep 09 2022

web texas made texas modern the house and the land id accounts and papers of the house of commons dec 01 2020 the house garden book of classic rooms may

texas made texas modern the house and the land id monte - Dec 12 2022

web download and install texas made texas modern the house and the land id suitably simple marfa modern helen thompson 2016 10 25 twenty one houses in and around

texas made texas modern the house and the land phaidon - Jun 18 2023

web a compelling survey of texas houses that draw both on the heritage of pioneer ranches and on the twentieth century design principles of modernism helen thompson and casey

**texas house plans texas style homes the house designers** - Mar 03 2022

web cars 3 w 67 0 d 75 2 of 14 our texas house plans are specifically created with the lone star state in mind from classic texas ranch and farmhouse plans to house

*basso for dummies on apple books* - Sep 20 2022

web sep 3 2014 basso for dummies alla terza edizione è un metodo completo e aggiornato per imparare a suonare il basso come veri professionisti dagli esercizi per migliorare la tecnica agli stili di basso da ogni parte del mondo da come creare i propri giri di basso ai consigli per l acquisto e la manutenzione dello strumento

**basso for dummies hoepli for dummies 2022 api** - Apr 15 2022

web this basso for dummies hoepli for dummies as one of the most committed sellers here will categorically be along with the best options to review basso for dummies hoepli for dummies downloaded from api publico pinheiro ma gov br by guest matthews antwan the national union catalog pre 1956 imprints for dummies

**basso for dummies hoepli for dummies pdf cybersmash** - May 17 2022

web get those all we meet the expense of basso for dummies hoepli for dummies and numerous books collections from fictions to scientific research in any way in the course of them is this basso for dummies hoepli for dummies that can be your

partner basso for dummies hoepli for dummies downloaded from cybersmash io by guest

[basso for dummies patrick pfeiffer google books](#) - Aug 20 2022

web basso for dummies alla terza edizione è un metodo completo e aggiornato per imparare a suonare il basso come veri professionisti dagli esercizi per migliorare la tecnica agli stili di

*collana for dummies hoepli editore* - Jun 29 2023

web con la seconda edizione di instagram marketing for dummies scoprirai i segreti del mondo dei reels e le strategie per creare una community di veri follower che duri nel tempo con case history di successo da cui prendere spunto per sviluppare una strategia di marketing efficace i consigli di grace theamazing e le dritte sui reels di marinela

**basso for dummies hoepli for dummies by patrick pfeiffer** - May 29 2023

web nov 1 2003 imparare a suonare il basso come veri professionisti basso for dummies alla terza edizion basso for dummies hoepli for dummies by patrick pfeiffer goodreads

**how to pronounce basso howtopronounce com** - Feb 11 2022

web oct 30 2023 how to say basso in english pronunciation of basso with 2 audio pronunciations 13 synonyms 14 translations 5 sentences and more for basso

*basso for dummies pfeiffer patrick libro hoepli 09 2014 hoepli it* - Sep 01 2023

web basso for dummies alla terza edizione è un metodo completo e aggiornato per imparare a suonare il basso come veri professionisti dagli esercizi per migliorare la tecnica agli stili di basso da ogni parte del mondo da come creare i propri giri di basso ai consigli per l acquisto e la manutenzione dello strumento

**pdf basso for dummies by patrick pfeiffer ebook perlego** - Dec 24 2022

web basso for dummies alla terza edizione è un metodo completo e aggiornato per imparare a suonare il basso come veri professionisti dagli esercizi per migliorare la tecnica agli stili di basso da ogni parte del mondo da come creare i propri giri di basso ai consigli per l acquisto e la manutenzione dello strumento

**basso for dummies hoepli for dummies copy uniport edu** - Nov 22 2022

web feb 26 2023 basso for dummies hoepli for dummies 1 8 downloaded from uniport edu ng on february 26 2023 by guest basso for dummies hoepli for dummies this is likewise one of the factors by obtaining the soft documents of this basso for dummies hoepli for dummies by online

[basso for dummies patrick pfeiffer libro hoepli libreria ibs](#) - Jan 25 2023

web basso for dummies è un libro di patrick pfeiffer pubblicato da hoepli nella collana for dummies acquista su ibs a 19 85

**basso for dummies patrick pfeiffer hoepli editore** - Oct 02 2023

web che non abbiate mai preso in mano un basso o che abbiate già una buona esperienza e cerciate il modo di migliorare

basso for dummies è il libro che state cercando per imparare a suonare rapidamente come veri professionisti

[basso for dummies hoepli for dummies pdf dotnbm](#) - Jun 17 2022

web instagram marketing for dummies the national union catalog pre 1956 imprints excel 2013 for dummies milan for dummies basso for dummies hoepli for dummies downloaded from dotnbm com by guest angelique reyes investire con il crowdfunding for dummies hoepli editore liberate l artista che c è in voi a partire dalla

**basso for dummies hoepli for dummies pdf uniport edu** - Apr 27 2023

web aug 14 2023 favorite books once this basso for dummies hoepli for dummies but end stirring in harmful downloads rather than enjoying a fine pdf when a mug of coffee in the afternoon otherwise they juggled gone some harmful virus inside their computer basso for dummies hoepli for dummies is nearby in our digital library an online entry to it is set as

*basso for dummies hoepli for dummies by patrick pfeiffer* - Oct 22 2022

web sep 16 2023 power point outlook catalogo for dummies 2016 2017 hoepli basso for dummies patrick pfeiffer sconto 5 it excel for dummies harvey greg libri in scaricare libri basso for dummies hoepli for dummies di basso for dummies hoepli for dummies italian edition library uwa edu au grammatica inglese for dummies su apple books

[basso for dummies patrick pfeiffer google books](#) - Jul 19 2022

web che non abbiate mai preso in mano un basso o che abbiate già una buona esperienza e cerciate il modo di migliorare basso for dummies è il libro che state cercando per imparare a suonare rapidamente come veri professionisti

*basso for dummies hoepli for dummies download only* - Mar 15 2022

web basso for dummies hoepli for dummies 1 basso for dummies hoepli for dummies biology pamphlets a reader s guide to the choice of the best available books about 50 000 in every department of science art literature with the dates of the first last editions the price size publisher s name of each book

*basso for dummies hoepli for dummies 2022 store spiralny* - Jul 31 2023

web basso for dummies hoepli for dummies the rebirth of italian communism 1943 44 cantare for dummies the national union catalog pre 1956 imprints disegnare for dummies a reader s guide to the choice of the best available books about 50 000 in every department of science art literature with the dates of the first last editions

[basso for dummies hoepli for dummies libro pdf ebook](#) - Mar 27 2023

web nov 28 2017 basso for dummies è un libro di pfeiffer patrick edito da hoepli a settembre 2014 ean 9788820363444 puoi acquistarlo sul sito hoepli it la grande libreria online basso for dummies ebook by patrick pfeiffer rakuten kobo read basso for dummies by patrick pfeiffer available from rakuten kobo

**basso for dummies hoepli for dummies** - Feb 23 2023

web reviewing basso for dummies hoepli for dummies unlocking the spellbinding force of linguistics in a fast paced world

fueled by information and interconnectivity the spellbinding force of linguistics has acquired newfound prominence its capacity to evoke emotions stimulate contemplation and stimulate metamorphosis is really astonishing

**introduction to mythology 4th edition vitalsource** - Mar 03 2022

integrating original texts with explanations interpretations and theory introduction to mythology contemporary approaches to classical and world myths fourth edition introduces students to a wide range of myths drawn from sources all around the world and approached from various critical perspectives

**introduction to mythology contemporary approaches to classical** - Oct 10 2022

buy introduction to mythology contemporary approaches to classical and world myths 4th ed by thury associate professor in the department of english and philosophy eva m devinney margaret k isbn 9780190262983 from amazon s book store everyday low prices and free delivery on eligible orders

**introduction to mythology contemporary approaches to classical** - Sep 09 2022

introduction to mythology covers mythology and also introduces the notion of myth in contemporary narrative form all the while offering a coherent analytical group of ideas to explain why these themes we find in mythology are still in our narratives today and it

introduction to mythology contemporary approaches to classical - Jan 13 2023

part 1 introduction to studying myth 1 what is myth 2 ways of understanding myth part 2 myths of creation and destruction part 2a myths of creation 3 greek creation stories 4 ovid s creation story 5 biblical creation stories 6 enuma elish a mesopotamian creation story 7 the prose edda s creation stories 8

*introduction to mythology contemporary approaches to classical* - Jul 19 2023

integrating original texts with explanations interpretations and theory introduction to mythology contemporary approaches to classical and world myths fourth edition introduces students

**introduction to mythology contemporary approaches to classical** - Mar 15 2023

introduction to mythology contemporary approaches to classical and world myths employs an innovative pedagogical structure to help students unravel the complex web of literary allusions often

**introduction to mythology contemporary approaches to classical** - Apr 04 2022

apr 13 2012 integrating original texts with explanations interpretations and theory introduction to mythology contemporary approaches to classical and world myths third edition introduces students to

**introduction to mythology contemporary approaches to classical** - Feb 14 2023

oxford university press 2009 mythology 710 pages the only complete world mythology textbook available introduction to mythology contemporary approaches to classical and world myths second edition integrates original texts with explanations

interpretations theory and numerous pedagogical aids to introduce students to a wide range of

**introduction to mythology contemporary approaches to** - May 05 2022

introduction to mythology contemporary approaches to classical and world myths 3rd edition chicago turabian author date citation style guide thury eva devinney margaret

**introduction to mythology contemporary approaches to classical** - Apr 16 2023

apr 13 2012 introduction to mythology contemporary approaches to classical and world myths 3rd edition introduction to mythology contemporary approaches to classical and world myths 3rd edition by eva thury author margaret devinney author 4 3 116 ratings see all formats and editions

*introduction to mythology contemporary approaches to classical* - Jul 07 2022

introduction to mythology contemporary approaches to classical and world myths employs an innovative pedagogical structure to help students unravel the complex web of literary allusions often found in mythological texts

introduction to mythology contemporary approaches to classical - Feb 02 2022

jan 21 2009 the only complete world mythology textbook available introduction to mythology contemporary approaches to classical and world myths second edition integrates original texts with explanations interpretations theory and numerous pedagogical aids to introduce students to a wide range of myths from various critical perspectives

**introduction to mythology contemporary approaches to classical** - Dec 12 2022

integrating original texts with explanations interpretations and theory introduction to mythology contemporary approaches to classical and world myths third edition introduces students to a wide range of myths drawn from sources all around the world and approached from various critical perspectives

**introduction to mythology contemporary approaches to classical** - Nov 11 2022

dec 27 2004 introduction to mythology contemporary approaches to classical and world myths 97 12 280 only 9 left in stock order soon introduction to mythology contemporary approaches to classical and world myths introduces students to a wide range of myths from various critical perspectives

introduction to mythology contemporary approaches to classical - Aug 08 2022

introduction to mythology contemporary approaches to classical and world myths thury eva m devinney margaret k 9780190262983 books amazon ca

**introduction to mythology paperback oxford university press** - May 17 2023

feb 10 2016 integrating original texts with explanations interpretations and theory introduction to mythology contemporary approaches to classical and world myths fourth edition introduces students to a wide range of myths drawn from sources all around the world and approached from various critical perspectives features

introduction to mythology contemporary approaches to classical - Sep 21 2023

english xxix 866 pages 35 pages 26 cm integrating original texts with explanations interpretations and theory introduction to mythology contemporary approaches to classical and world myths fourth edition introduces students to a wide range of myths drawn from sources all around the world and approached from various critical

introduction to mythology contemporary approaches to classical - Jun 06 2022

get this from a library introduction to mythology contemporary approaches to classical and world myths eva m thury margaret klopfle devinney integrating original texts with explanations interpretations and theory introduction to mythology contemporary approaches to classical and world myths fourth edition introduces students to

**introduction to mythology contemporary approaches to classical** - Aug 20 2023

feb 10 2016 introduction to mythology contemporary approaches to classical and world myths thury eva m devinney margaret k on amazon com free shipping on qualifying offers introduction to mythology contemporary approaches to classical and world myths

**introduction to mythology 4e learning link** - Jun 18 2023

integrating original texts with explanations interpretations and theory introduction to mythology contemporary approaches to classical and world myths fourth edition introduces students to a wide range of myths drawn from sources all around the world and approached from various critical perspectives