

**GENERAL DIMENSIONS (Fig. 1)**

- A.** Overall Height (over Steering Wheel): 1485 mm (58-5 in)  
**A<sub>1</sub>.** Overall Height (over Exhaust): 2165 mm (85-2 in)  
**B.** Overall Width: 1651 mm (65 in)  
**C.** Overall Length: 3213 mm (126-5 in)  
**D.** Wheelbase (without Spacer): 1892 mm (74-5 in)
**Ground Clearance:**

**E.** Under Weight Frame (with Weights): 6-305 mm (25 in)

**F.** Ground Clearance (under Clutch Housing): 6-33 mm (1/2 in)

**Turning Circle:** 5,425 m (21-1 ft) Without Brakes;  
 5,867 m (19-25 ft) With Brakes

**Weight (with fuel, oil and water):** 1652 kg (3642 lb)

**Note:** The above dimensions are for a tractor fitted with 6-00-16 front tyres and 11-28 rear tyres at 1321 mm (52 in) and 1420 mm (56 in) track settings respectively.

**MOUNTING POINTS (Fig. 2)**

1. 101,6 mm (4 in)
2. 184 mm (7 1/4 in)
3. 1018 mm (40 1/4 in)
4. 152,4 mm (6 in)
5. 4 holes top 1/4 in 10 UNC 28 x 28,8 mm (1 1/4 in) deep (blind)
6. 85,7 mm (3 3/4 in)
7. 8 holes top 1/4 in 11 UNC
8. 1821 mm (72 1/4 in)
9. 152,4 mm (6 in)
10. 114,3 mm (4 1/2 in)

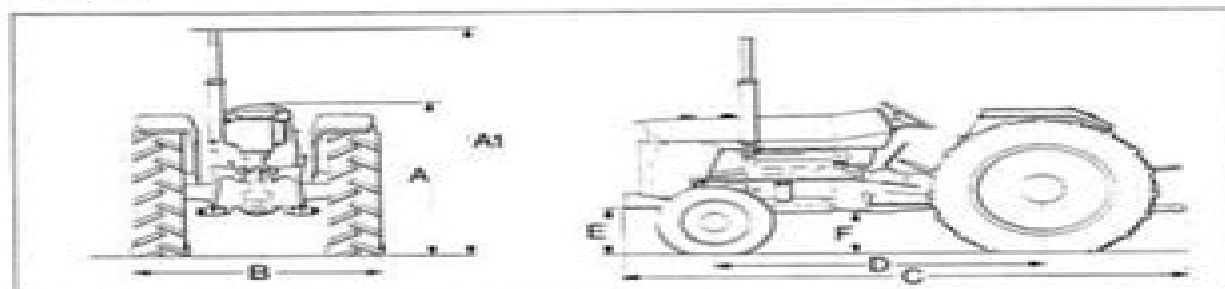


FIG. 1

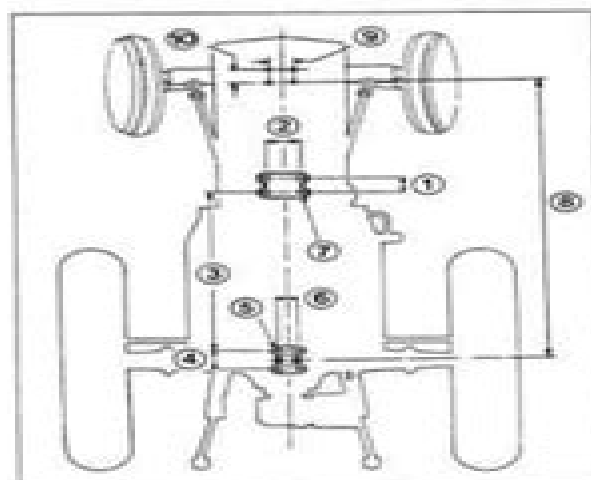


FIG. 2

# Massey Ferguson 253 Manual

**Jianjun Gao**



## **Massey Ferguson 253 Manual:**

*The Big Book of Massey Tractors* Robert N. Pripps, 2006 This is the first full scale history of one of the largest farm tractor manufacturers of all time peppered with pictures of Massey Harris Ferguson and Massey Ferguson's historic models collectibles sales memorabilia and advertisements from old farm magazines *The Big Book of Massey Tractors* tells the story of the mergers and machines that formed Massey Ferguson over several decades and because these machines dominated Canadian farms for almost a century in many ways it also tells the story of Canadian agriculture Robert Pripps a longtime tractor aficionado describes Massey Ferguson's battle with Ford over dominance of the farm tractor industry a battle the company eventually won remarkably enough in view of its initial abject market failure with tractors From the company's beginnings in 1891 to its 1953 merger with the Ferguson tractor company to its current ownership by Allis Gleaner Company AGCO Massey's have played a large role in our agricultural history *The Big Book of Massey Tractors* celebrates that role and showcases the machines that have helped turn the earth for over a hundred years *Official Guide, Tractors and Farm Equipment*, 1989 *Power Farming in Australia and New Zealand Technical Manual*, 1984 *Progressive Farmer*, 2001

**Operator, Organizational, Direct Support, and General Support Maintenance Manual Including Repair Parts List for Grinding Kit, Valve Seat (K O Lee Co, Inc) (4910-00-060-9983)**, 1989 [Official Specifications & Data Guide](#), 1995 *Manual of the Mercantile Law of Great Britain and Ireland ...* Leone Levi, 1854 [Implement & Tractor Red Book](#), 1988 **Northwest Medicine**, 1907 **Farmers and Consumers Market Bulletin**, 2011 **Forthcoming Books** Rose Army, 2003 *Citrus and Vegetable Magazine*, 1988 **The Earthmover Encyclopedia** Keith Haddock, 2007 This colossal reference book documents the timeless urge to reshape the world and the machines used to do so from the 1088 s to today From utility tractors and loaders up to the largest diggers and bulldozers every piece of heavy equipment is listed here by model and manufacturer making this the most exhaustive book on the world's most hard working vehicles and machines Publisher's description **Farm Journal**, 1989 [The United States Catalog](#), 1965 **Catalog of Copyright Entries. Third Series** Library of Congress. Copyright Office, 1965 Includes Part 1 Number 2 Books and Pamphlets Including Serials and Contributions to Periodicals July December *Forest Industries*, 1972 *The Spectator life by states manual*, 1920 [Automotive Lubricants Reference Book](#) Arthur J. Caines, Roger F. Haycock, John E. Hillier, 2004 The automotive lubricants arena has undergone significant changes since the first edition of this book was published in 1996 Environmental concerns particularly regarding improvement of air quality have been important in recent years Reduced emissions are directly related to changes in lubricant specifications and quality and the second edition of the *Automotive Lubricants Reference Book* reflects the urgency of such matters by including updated and expanded detail This second edition also considers the recent phenomenon of increased consolidation within the oil and petroleum additive arenas which has resulted in fewer people for research development and implementation along with fewer competing companies After reviewing the first edition

the authors have fully reviewed and updated the information to fit in with the changes in technology and markets Chapters include Introduction and Fundamentals Constituents of Modern Lubricants Crankcase Oil Testing Crankcase Oil Quality Levels and Formulations Practical Experiences with Lubricant Problems Performance Levels Classification Specification and Approval of Engine Lubricants Other Lubricants for Road Vehicles Other Specialized Oils of Interest Blending Storage Purchase and Use Safety Health and the Environment The Future Cleveland Medical Journal ,1905

Immerse yourself in the artistry of words with is expressive creation, **Massey Ferguson 253 Manual** . This ebook, presented in a PDF format ( PDF Size: \*), is a masterpiece that goes beyond conventional storytelling. Indulge your senses in prose, poetry, and knowledge. Download now to let the beauty of literature and artistry envelop your mind in a unique and expressive way.

<http://www.armchairempire.com/About/scholarship/index.jsp/Manual%20Camera%20Dv100%20Samsung.pdf>

## **Table of Contents Massey Ferguson 253 Manual**

1. Understanding the eBook Massey Ferguson 253 Manual
  - The Rise of Digital Reading Massey Ferguson 253 Manual
  - Advantages of eBooks Over Traditional Books
2. Identifying Massey Ferguson 253 Manual
  - Exploring Different Genres
  - Considering Fiction vs. Non-Fiction
  - Determining Your Reading Goals
3. Choosing the Right eBook Platform
  - Popular eBook Platforms
  - Features to Look for in an Massey Ferguson 253 Manual
  - User-Friendly Interface
4. Exploring eBook Recommendations from Massey Ferguson 253 Manual
  - Personalized Recommendations
  - Massey Ferguson 253 Manual User Reviews and Ratings
  - Massey Ferguson 253 Manual and Bestseller Lists
5. Accessing Massey Ferguson 253 Manual Free and Paid eBooks
  - Massey Ferguson 253 Manual Public Domain eBooks
  - Massey Ferguson 253 Manual eBook Subscription Services
  - Massey Ferguson 253 Manual Budget-Friendly Options

6. Navigating Massey Ferguson 253 Manual eBook Formats
  - ePub, PDF, MOBI, and More
  - Massey Ferguson 253 Manual Compatibility with Devices
  - Massey Ferguson 253 Manual Enhanced eBook Features
7. Enhancing Your Reading Experience
  - Adjustable Fonts and Text Sizes of Massey Ferguson 253 Manual
  - Highlighting and Note-Taking Massey Ferguson 253 Manual
  - Interactive Elements Massey Ferguson 253 Manual
8. Staying Engaged with Massey Ferguson 253 Manual
  - Joining Online Reading Communities
  - Participating in Virtual Book Clubs
  - Following Authors and Publishers Massey Ferguson 253 Manual
9. Balancing eBooks and Physical Books Massey Ferguson 253 Manual
  - Benefits of a Digital Library
  - Creating a Diverse Reading Collection Massey Ferguson 253 Manual
10. Overcoming Reading Challenges
  - Dealing with Digital Eye Strain
  - Minimizing Distractions
  - Managing Screen Time
11. Cultivating a Reading Routine Massey Ferguson 253 Manual
  - Setting Reading Goals Massey Ferguson 253 Manual
  - Carving Out Dedicated Reading Time
12. Sourcing Reliable Information of Massey Ferguson 253 Manual
  - Fact-Checking eBook Content of Massey Ferguson 253 Manual
  - Distinguishing Credible Sources
13. Promoting Lifelong Learning
  - Utilizing eBooks for Skill Development
  - Exploring Educational eBooks
14. Embracing eBook Trends
  - Integration of Multimedia Elements

- Interactive and Gamified eBooks

### **Massey Ferguson 253 Manual Introduction**

In the digital age, access to information has become easier than ever before. The ability to download Massey Ferguson 253 Manual has revolutionized the way we consume written content. Whether you are a student looking for course material, an avid reader searching for your next favorite book, or a professional seeking research papers, the option to download Massey Ferguson 253 Manual has opened up a world of possibilities. Downloading Massey Ferguson 253 Manual provides numerous advantages over physical copies of books and documents. Firstly, it is incredibly convenient. Gone are the days of carrying around heavy textbooks or bulky folders filled with papers. With the click of a button, you can gain immediate access to valuable resources on any device. This convenience allows for efficient studying, researching, and reading on the go. Moreover, the cost-effective nature of downloading Massey Ferguson 253 Manual has democratized knowledge. Traditional books and academic journals can be expensive, making it difficult for individuals with limited financial resources to access information. By offering free PDF downloads, publishers and authors are enabling a wider audience to benefit from their work. This inclusivity promotes equal opportunities for learning and personal growth. There are numerous websites and platforms where individuals can download Massey Ferguson 253 Manual. These websites range from academic databases offering research papers and journals to online libraries with an expansive collection of books from various genres. Many authors and publishers also upload their work to specific websites, granting readers access to their content without any charge. These platforms not only provide access to existing literature but also serve as an excellent platform for undiscovered authors to share their work with the world. However, it is essential to be cautious while downloading Massey Ferguson 253 Manual. Some websites may offer pirated or illegally obtained copies of copyrighted material. Engaging in such activities not only violates copyright laws but also undermines the efforts of authors, publishers, and researchers. To ensure ethical downloading, it is advisable to utilize reputable websites that prioritize the legal distribution of content. When downloading Massey Ferguson 253 Manual, users should also consider the potential security risks associated with online platforms. Malicious actors may exploit vulnerabilities in unprotected websites to distribute malware or steal personal information. To protect themselves, individuals should ensure their devices have reliable antivirus software installed and validate the legitimacy of the websites they are downloading from. In conclusion, the ability to download Massey Ferguson 253 Manual has transformed the way we access information. With the convenience, cost-effectiveness, and accessibility it offers, free PDF downloads have become a popular choice for students, researchers, and book lovers worldwide. However, it is crucial to engage in ethical downloading practices and prioritize personal security when utilizing online platforms. By doing so, individuals can make the most of the vast array of free PDF resources available and embark on a journey of

continuous learning and intellectual growth.

**FAQs About Massey Ferguson 253 Manual Books**

**What is a Massey Ferguson 253 Manual PDF?** A PDF (Portable Document Format) is a file format developed by Adobe that preserves the layout and formatting of a document, regardless of the software, hardware, or operating system used to view or print it. **How do I create a Massey Ferguson 253 Manual PDF?** There are several ways to create a PDF: Use software like Adobe Acrobat, Microsoft Word, or Google Docs, which often have built-in PDF creation tools. Print to PDF: Many applications and operating systems have a "Print to PDF" option that allows you to save a document as a PDF file instead of printing it on paper. Online converters: There are various online tools that can convert different file types to PDF. **How do I edit a Massey Ferguson 253 Manual PDF?** Editing a PDF can be done with software like Adobe Acrobat, which allows direct editing of text, images, and other elements within the PDF. Some free tools, like PDFescape or Smallpdf, also offer basic editing capabilities. **How do I convert a Massey Ferguson 253 Manual PDF to another file format?** There are multiple ways to convert a PDF to another format: Use online converters like Smallpdf, Zamzar, or Adobe Acrobats export feature to convert PDFs to formats like Word, Excel, JPEG, etc. Software like Adobe Acrobat, Microsoft Word, or other PDF editors may have options to export or save PDFs in different formats. **How do I password-protect a Massey Ferguson 253 Manual PDF?** Most PDF editing software allows you to add password protection. In Adobe Acrobat, for instance, you can go to "File" -> "Properties" -> "Security" to set a password to restrict access or editing capabilities. Are there any free alternatives to Adobe Acrobat for working with PDFs? Yes, there are many free alternatives for working with PDFs, such as: LibreOffice: Offers PDF editing features. PDFsam: Allows splitting, merging, and editing PDFs. Foxit Reader: Provides basic PDF viewing and editing capabilities. How do I compress a PDF file? You can use online tools like Smallpdf, ILovePDF, or desktop software like Adobe Acrobat to compress PDF files without significant quality loss. Compression reduces the file size, making it easier to share and download. Can I fill out forms in a PDF file? Yes, most PDF viewers/editors like Adobe Acrobat, Preview (on Mac), or various online tools allow you to fill out forms in PDF files by selecting text fields and entering information. Are there any restrictions when working with PDFs? Some PDFs might have restrictions set by their creator, such as password protection, editing restrictions, or print restrictions. Breaking these restrictions might require specific software or tools, which may or may not be legal depending on the circumstances and local laws.



**Find Massey Ferguson 253 Manual :**

[manual camera dv100 samsung](#)

**manual 5hp johnson outboard 2 cycle**

[manual bobcat 40 hydraulic planer](#)

*manhattan girls filles rel vent d fi*

**mankind beyond earth the history science and future of human space exploration**

**mangapartage**

*manual bilge pump exploded*

[manual book polaris water heater](#)

[manhattan prep gmat](#)

[managing information risk and the economics of security medizinische informatik und statistik](#)

[manco 285 manual](#)

**manual 2006 dodge ram 3500 hub assembly**

[mankiw macroeconomics 8th edition solutions](#)

**managing morning sickness a survival guide for pregnant women**

[maneb msce results 2013](#)

**Massey Ferguson 253 Manual :**

**mathematics 1 gtu 2018 ravish r singh mukul bhatt** - Nov 24 2021

web apr 6 2020 ravish r singh mukul bhatt apr 6 2020 mathematics 532 pages this book is designed for the 3rd semester

gtu engineering students pursuing the probability

*engineering mathematics i by ravish r singh* - Oct 04 2022

web advanced engineering mathematics with mathematica edward b magrab 2020 02 26 advanced engineering mathematics

with mathematica presents advanced analytical

*engineering mathematics by ravish singh goodreads* - May 11 2023

web jul 1 2017 ravish singh mukul bhatt 4 32 19 ratings 2 reviews this book designed for a two semester course on ai ½

engineering mathematics ai ½ presents concepts in

**download engineering mathematics a tutorial approach by** - Dec 06 2022

web engineering mathematics a tutorial approach author ravish r singh mukul bhatt language english isbn 9780070146150

0070146152 year 2010 file size 58 5 mb

**engineering mathematics 9789339219567 9789339219574** - May 31 2022

web engineering mathematics vol i for semester i and ii 2nd edition buy engineering mathematics vol i for semester i and ii 2nd edition by ravish r singh and mukul

mathematics 2 ravish r singh mukul bhatt google - Jan 07 2023

web apr 27 2020 ravish r singh mukul bhatt apr 27 2020 mathematics 736 pages this book has been designed as per the mathematics 2 course offered in the first year

*engineering mathematics ravish singh mukul bhatt harvard* - Sep 03 2022

web the digital and etextbook isbnns for engineering mathematics are 9780071335775 0071335773 and the print isbnns are 9780070146150 0070146152 save up to 80

amazon in ravish singh books - Mar 29 2022

web jul 18 2020 results engineering mathematics volume i 2nd edition by ravish r singh and mukul bhatt 18 july 2020 21 paperback 999 m r p 1 350

*probability and statistics gtu ravish r singh mukul bhatt* - Oct 24 2021

web ravish r singh mathematics 2 paperback 24 december 2018 by mukul bhatt ravish singh author 4 2 10 ratings see all formats and editions paperback from 233 00 2

**download engineering mathematics by mukul bhatt pdf** - Nov 05 2022

web singh mukul bhatt engineering mathematics ravish singh mukul bhatt pubvit de engineering engineering mathematics by ravish r singh and mukul bhatt view

**engineering mathematics vol i for semester i and ii 2nd edition** - Apr 29 2022

web aug 10 2020 engineering mathematics volume ii for semester iii and iv second edition by ravish r singh and mukul bhatt 18 july 2020 3 7 out of 5 stars 6

**engineering mathematics by ravish r singh and mukul bhatt** - Aug 14 2023

web engineering mathematics by ravish r singh and mukul bhatt is one of the most important book for engineering 1st semester students this book is common for all

mathematics 2 ravish singh mukul bhatt amazon in books - Sep 22 2021

*dr mukul bhatt google scholar* - Feb 08 2023

web 0 4 2 2012 2013 2014 2015 2016 2017 2018 2019 2020 2021 2022 2023 dr mukul bhatt assistant professor of mathematics mumbai university no verified email special

**amazon in ravish r singh books** - Feb 25 2022

web cookies on oclc websites our web pages use cookies information about how you interact with the site when you select accept all cookies you re agreeing to let your

*engineering mathematics english paperback ravish r singh* - Jul 01 2022

web engineering mathematics is written by ravish singh mukul bhatt and published by mcgraw hill education india the digital and etextbook isbn for engineering

**engg mathematics i au2011 ravish singh mukul bhatt** - Apr 10 2023

web engg mathematics i au2011 1 review engineering mathematics by ravish singh aims to make the subject more approachable to students the crisp explanation of concepts

**engineering mathematics a tutorial approach worldcat org** - Jan 27 2022

web engineering mathematics volume i for semester i and ii second edition ravish r singh 4 0 out of 5 stars 21 paperback 6 offers from 560 00 next page product

**engineering mathematics 9780070146150** - Aug 02 2022

web engineering mathematics by ravish r singh mukul bhatt from flipkart com only genuine products 30 day replacement guarantee free shipping cash on delivery

**buy mathematics 2 book online at low prices in india** - Dec 26 2021

web sep 18 2018 ravish r singh mukul bhatt sep 18 2018 mathematics 1050 pages this book has been designed as per the mathematics 1 course offered in the first year

*amazon com engineering mathematics 9789339219567 ravish* - Mar 09 2023

web jan 1 2016 amazon com engineering mathematics 9789339219567 ravish r singh and mukul bhatt books

advanced engineering mathematics 4e gtu 2018 ravish r - Jul 13 2023

web jul 18 2018 this book has been designed as per the advanced engineering mathematics course offered in the third semester to the undergraduate engineering

*mathematics i ravish r singh mukul bhatt google books* - Jun 12 2023

web sep 24 2018 ravish r singh mukul bhatt sep 24 2018 mathematics 726 pages this book on mathematics i deals with fundamentals of subject area each topic in the

*esercizi inglese prima media pdf con soluzioni* - May 12 2023

web inglese prima media esercizi con soluzioni pdf online da stampare destinato a studenti e insegnanti e disponibile per apri download esercizi di inglese prima media soluzioni e risolti in formato pdf apri esercizi soluzioni stampa pdf visualizza online

*inglese facile schede da stampare in pdf fabrizio altieri* - Dec 07 2022

web scarica e stampa schede didattiche inglese da stampare per bambini della scuola primaria e media con esercizi di grammatica vocabolario e lettura scopri come insegnare l inglese con approccio ludico e divertente per favorire la competenza linguistica e la fluenza verbale

**test d ingresso di 1 media consigli per ripassare dilei** - Sep 04 2022

web aug 18 2021 test d ingresso di inglese per la prima media per fare bella figura anche con i professori di inglese ripassa la grammatica e i vocaboli che hai imparato alla scuola primaria

*esercizi di inglese on line con soluzioni per la scuola media ed* - Jun 13 2023

web siamo il più grande archivio di esercizi risolti di inglese vocaboli verbi grammatica comprensione e ascolto per la scuola elementare e media presente sul web 3010 esercizi il nostro particolare sistema vi permette di scegliere l esercizio della difficoltà che preferite 85 variabili diverse e di svolgerlo on line

esercizi inglese ita a trentin - Mar 30 2022

web esercizi inglese ita a trentin agli studenti che si iscriveranno alle classi prime di questo istituto viene richiesto una preparazione iniziale che si attesti sui livelli a1 a2 del cefr quadro comune di riferimento europeo per tale motivo si forniscono di seguito esercizi per il potenziamento

test inglese per scuole cambridge english - Mar 10 2023

web cambridge english metti alla prova il tuo inglese verifica il tuo livello di inglese per le scuole

**inglese grammatica esercizi di per la prima media wordwall** - Oct 05 2022

web inglese quiz comparativo di maggioranza quiz di musica prima media inglese comparativo inglese le potenze di gabriele tortora telequiz di gabrieletortora per ragazzi di prima media secondaria primo grado matematica inglese quiz avverbi di frequenza quiz di musica

esercizi inglese online 1 media pdf con soluzioni - Apr 11 2023

web esercizi inglese prima media have got con soluzioni pdf esercizi inglese prima media con can con soluzioni pdf esercizi inglese prima media grammatica pdf soluzioni esercizi inglese prima media verbi con soluzioni pdf esercizi inglese plurali prima media con soluzioni pdf esercizi inglese prima media animali con soluzioni pdf

*programma inglese per la prima media scuolissima com* - Aug 03 2022

web in questa pagina trovate il programma di inglese per la prima media ovvero tutto quello che bisognerà studiare e ripassare in vista del primo anno di scuola media grammatica inglese pronomi personali soggetto personal pronouns verbo essere in inglese to be forma affermativa negativa interrogativa risposte brevi question words who what

**il capitello ge la scuola sei** - Apr 30 2022

web il capitello è entrato a far parte del gruppo editoriale la scuola sei da ora in poi troverai tutti i prodotti presenti in questo

sito in un unico nuovo portale insieme a molti altri contenuti e servizi vai al portale

*inglese quiz 1 media risorse didattiche wordwall* - Jan 08 2023

web inglese quiz 1 media esempi della nostra community 10000 risultati della ricerca per inglese quiz 1 media inglese quiz comparativo di maggioranza quiz di musica prima media inglese comparativo inglese inglese frasi da abbinare abbinamenti di musica terza media inglese inglese lessico inglese

verifiche di recupero inglese prima media intervista - Aug 15 2023

web scarica le verifiche di recupero inglese prima media per i vari livelli e le diverse unità di studio trova anche le risorse per il sostegno e il recupero dell'apprendimento dell'inglese

verifiche di inglese prima media pdf download by otharr pinterest - Jan 28 2022

web verifiche di inglese prima media pdf download by otharr released 15 march 2018 verifiche di inglese prima media pdf download shurll com du5wm

**inglese prima media risorse didattiche wordwall** - Jul 02 2022

web community inglese prima media esempi della nostra community 10000 risultati della ricerca per inglese prima media inglese quiz comparativo di maggioranza quiz di musica prima media inglese comparativo inglese inglese possesso pag 9 abbinamento abbinamenti di musica prima media inglese lessico

**test ingresso inglese prima media con soluzioni pdf** - Feb 26 2022

web test ingresso inglese prima media con soluzioni pdf apri test ingresso inglese prima media con soluzioni pdf visualizza pdf online stampa lingua italiana scarica o apri test ingresso inglese prima media con soluzioni pdf con soluzioni in formato pdf per studenti e insegnanti

*verifica verifica di inglese per scuola media materia inglese* - Jul 14 2023

web scarica il materiale di verifica di inglese per scuola media con esercizi su aggettivi possessivi cinque w preposizioni nazioni orario e altro trova anche altri link utili per la cultura inglese e la grammatica

**esercizi inglese prima media pdf con soluzioni** - Dec 27 2021

web apri esercizi inglese prima media soluzioni pdf stampa pdf visualizza online lingua italiana destinato a studenti e insegnanti siamo disponibili per apri o scarica esercizi inglese prima media pdf con soluzioni con soluzioni e risolti in pdf esercizi inglese prima media pdf con soluzioni

risorse didattiche inglese scuola media pearson - Feb 09 2023

web scopri e scarica le risorse didattiche di inglese selezionate da pearson per il progetto di ddi kilometro zero per la scuola media

*scuolatest test ingresso inglese prima media blogger* - Jun 01 2022

web jul 11 2018 test ingresso inglese prima media esempio di un test di ingresso di inglese per la prima superiore rispondi alle domande oralmente o su un foglio e clicca sul pulsante per la soluzione 1 aggettivi e nazionalità 1 mike is from the usa he s 2

[prove d ingresso inglese scuola primaria e media schede da](#) - Nov 06 2022

web prove d ingresso inglese scuola primaria e media schede da stampare in pdf prove di ingresso per inglese scarica gratis il pdf con le schede dei miei libri clicca qui schede suddivise per classi prima seconda terza quarta quinta medie superiori schede con i libri da proporre per le letture classi 1a 2a classe 3a classe 4a classe 5a medie

[best manufacturing management software solutions in 2023](#) - Feb 10 2022

web may 23 2023 the 10 best manufacturing management software solutions in 2023 rea regan updated on may 23 2023 manufacturing organizations can use software to streamline inventory management production scheduling employee management and so much more here are some of the very examples

[pdf project management in manufacturing enterprises](#) - May 28 2023

web nov 1 2021 pdf current time of turbulent changes is related to the necessity of innovation of both the products and the entire organization management system find read and cite all the research

*what is project management in the manufacturing industry* - Jul 18 2022

web sep 27 2023 project management in a manufacturing organization comprises analysis planning coordination and execution to accomplish a set of predetermined objectives it demands a specialized strategy considering manufacturing operations particular requirements and problems

*engineering and management of manufacturing systems msc* - Nov 21 2022

web engineering and management of manufacturing systems msc overview course details your career how to apply fees and funding entry requirements interested in starting your msc in march 2024 we are still taking applications and

*project management for the manufacturing industry onedesk* - Jan 24 2023

web manufacturing project management software is all about balancing time cost and scope use fundamentals to improve your process

[manufacturing operations management strategies and best](#) - Mar 14 2022

web manufacturing operations management includes activities that improve production inventory and staffing processes in manufacturing firms people who perform manufacturing operations management use computerized systems and software sometimes the mom acronym refers to those systems

**manufacturing project management software projectmanager** - Feb 22 2023

web projectmanager helps manufacturing teams manage orders track production cycles and plan complex time sensitive

projects on one online platform with powerful yet intuitive project management tools you and your team are equipped to execute manufacturing projects at scale without getting lost in the details

**best manufacturing project management software 2023 review** - Jun 28 2023

web sep 27 2023 individual standard and enterprise packages available real time visibility our editorial team has reviewed the best manufacturing project management solutions on the market including wrike smartsheet and zoho project to help businesses find the right software for their needs

**5 best manufacturing project management software** - Apr 14 2022

web sep 21 2023 projectmanager is a project planning and management system that enables manufacturing teams greater visibility into the supply chain pipeline team workloads project progress and resources order management sop documentation and production planning are a few of the manufacturing essentials supported in

manufacturing project management challenges skills tools - Oct 01 2023

web learn all about manufacturing project management like the challenges skills and tools required to assist with managing a project in manufacturing categories management culture project management productivity best practices remote work teamwork business leadership time management agile methodology employee management

manufacturing systems engineering and management msc - Jun 16 2022

web manufacturing systems engineering and management msc is about designing and managing the most efficient means of production expertly designed by the international leaders warwick manufacturing group this msc is for those interested in these systems and operations management

**unleashing efficiency project management in manufacturing** - Apr 26 2023

web sep 3 2023 project management in manufacturing involves overseeing and controlling all aspects of a project from conception to completion it entails planning organizing and coordinating resources to achieve specific objectives within set timeframes and budget constraints moreover the importance of efficient project management cannot be

**project management in manufacturing and high technology** - Dec 23 2022

web project management is a system originally developed within the construction industry for controlling schedules costs and specifications of large multitask projects in recent years manufacturers have discovered that project managements time tested techniques dovetail neatly with the current thinking on quality control and management in a highly

project management for manufacturing in five stages katana - Sep 19 2022

web dec 23 2022 the five stages of project management for manufacturing manufacturing project management is usually broken down into five stages which outline how the project will be managed these stages are usually easily applicable to any manufacturing project

**10 best manufacturing project management software in 2023** - Jul 30 2023

web aug 24 2023 manufacturing project management software is a digital tool that helps you plan staff execute and monitor manufacturing projects from start to finish these products are generally used by project managers and other team members in the manufacturing industry keeping everyone aligned on a project s goals tasks

find the best manufacturing project management software - Oct 21 2022

web it has been obtained from sources believed to be reliable at the time of publication find the best manufacturing project management software for your organization compare top manufacturing project management software systems with customer reviews pricing and free demos

*manufacturing project management design systems inc* - May 16 2022

web a manufacturing project management team looks at the methodologies systems software and other aspects of a particular project and through a process of analysis planning coordination and execution meets a set of established goals common goals in manufacturing are to reduce waste increase efficiency meet budget schedule and

*project management tips for manufacturing projects monday com* - Aug 31 2023

web dec 28 2022 a manufacturing project manager is responsible for managing and overseeing all aspects of a manufacturing project they plan and coordinate resources organize personnel maintain a budget and schedule monitor progress oversee quality control and ensure that projects are completed on time and that regulatory standards

smart manufacturing examples benefits projectmanager - Mar 26 2023

web sep 27 2023 smart manufacturing relies on identifying issues in manufacturing systems and finding solutions to add efficiencies to the processes project management software can be a tool for achieving these goals projectmanager is award winning project management software that delivers real time data that enhances control and facilitates

**implementing project management in manufacturing industries** - Aug 19 2022

web feb 1 1994 in a project environment the project manager manages the work while the functional managers manage their resource pools to enforce the idea of the project manager as the customer of the functional manager some companies have given the project manager complete budget authority and accountability