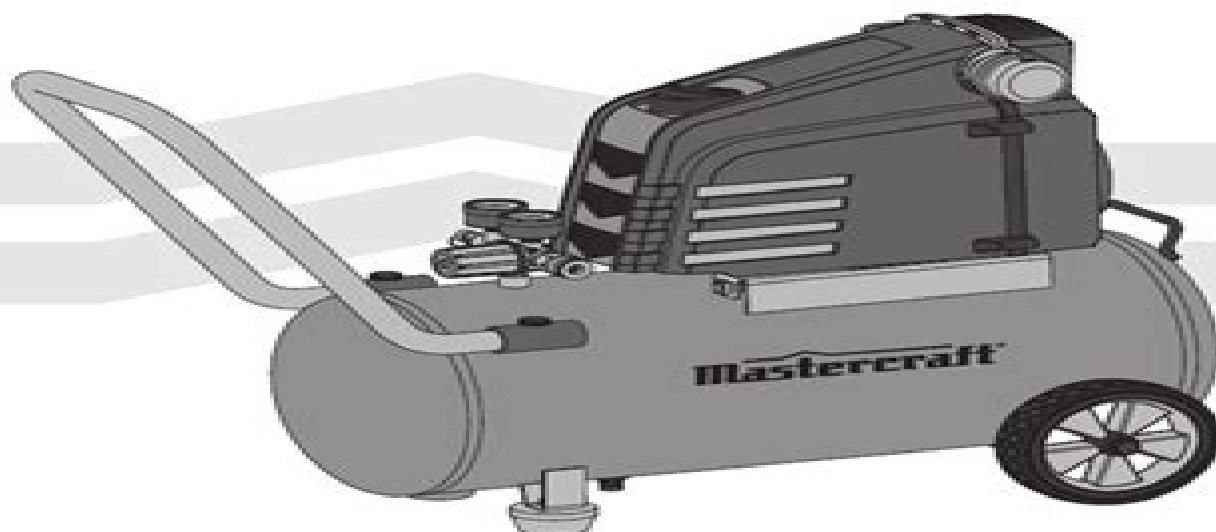


# **Mastercraft™**



INSTRUCTION MANUAL

## **8 U.S. GALLON (30.3 L) AIR COMPRESSOR**

058-9316-0

# Mastercraft Compressor Manual

**Ian Pickup**



## **Mastercraft Compressor Manual:**

## Reviewing **Mastercraft Compressor Manual**: Unlocking the Spellbinding Force of Linguistics

In a fast-paced world fueled by information and interconnectivity, the spellbinding force of linguistics has acquired newfound prominence. Its capacity to evoke emotions, stimulate contemplation, and stimulate metamorphosis is truly astonishing. Within the pages of "**Mastercraft Compressor Manual**," an enthralling opus penned by a highly acclaimed wordsmith, readers set about an immersive expedition to unravel the intricate significance of language and its indelible imprint on our lives. Throughout this assessment, we shall delve to the book is central motifs, appraise its distinctive narrative style, and gauge its overarching influence on the minds of its readers.

[http://www.armchairempire.com/public/uploaded-files/Documents/Halo\\_Reach\\_Legendary\\_Edition\\_Guide\\_By\\_Brady\\_Games\\_2010\\_Hardcover.pdf](http://www.armchairempire.com/public/uploaded-files/Documents/Halo_Reach_Legendary_Edition_Guide_By_Brady_Games_2010_Hardcover.pdf)

### **Table of Contents Mastercraft Compressor Manual**

1. Understanding the eBook Mastercraft Compressor Manual
  - The Rise of Digital Reading Mastercraft Compressor Manual
  - Advantages of eBooks Over Traditional Books
2. Identifying Mastercraft Compressor Manual
  - Exploring Different Genres
  - Considering Fiction vs. Non-Fiction
  - Determining Your Reading Goals
3. Choosing the Right eBook Platform
  - Popular eBook Platforms
  - Features to Look for in an Mastercraft Compressor Manual
  - User-Friendly Interface
4. Exploring eBook Recommendations from Mastercraft Compressor Manual
  - Personalized Recommendations
  - Mastercraft Compressor Manual User Reviews and Ratings

- Mastercraft Compressor Manual and Bestseller Lists
- 5. Accessing Mastercraft Compressor Manual Free and Paid eBooks
  - Mastercraft Compressor Manual Public Domain eBooks
  - Mastercraft Compressor Manual eBook Subscription Services
  - Mastercraft Compressor Manual Budget-Friendly Options
- 6. Navigating Mastercraft Compressor Manual eBook Formats
  - ePub, PDF, MOBI, and More
  - Mastercraft Compressor Manual Compatibility with Devices
  - Mastercraft Compressor Manual Enhanced eBook Features
- 7. Enhancing Your Reading Experience
  - Adjustable Fonts and Text Sizes of Mastercraft Compressor Manual
  - Highlighting and Note-Taking Mastercraft Compressor Manual
  - Interactive Elements Mastercraft Compressor Manual
- 8. Staying Engaged with Mastercraft Compressor Manual
  - Joining Online Reading Communities
  - Participating in Virtual Book Clubs
  - Following Authors and Publishers Mastercraft Compressor Manual
- 9. Balancing eBooks and Physical Books Mastercraft Compressor Manual
  - Benefits of a Digital Library
  - Creating a Diverse Reading Collection Mastercraft Compressor Manual
- 10. Overcoming Reading Challenges
  - Dealing with Digital Eye Strain
  - Minimizing Distractions
  - Managing Screen Time
- 11. Cultivating a Reading Routine Mastercraft Compressor Manual
  - Setting Reading Goals Mastercraft Compressor Manual
  - Carving Out Dedicated Reading Time
- 12. Sourcing Reliable Information of Mastercraft Compressor Manual
  - Fact-Checking eBook Content of Mastercraft Compressor Manual
  - Distinguishing Credible Sources

13. Promoting Lifelong Learning
  - Utilizing eBooks for Skill Development
  - Exploring Educational eBooks
14. Embracing eBook Trends
  - Integration of Multimedia Elements
  - Interactive and Gamified eBooks

### **Mastercraft Compressor Manual Introduction**

Free PDF Books and Manuals for Download: Unlocking Knowledge at Your Fingertips In today's fast-paced digital age, obtaining valuable knowledge has become easier than ever. Thanks to the internet, a vast array of books and manuals are now available for free download in PDF format. Whether you are a student, professional, or simply an avid reader, this treasure trove of downloadable resources offers a wealth of information, conveniently accessible anytime, anywhere. The advent of online libraries and platforms dedicated to sharing knowledge has revolutionized the way we consume information. No longer confined to physical libraries or bookstores, readers can now access an extensive collection of digital books and manuals with just a few clicks. These resources, available in PDF, Microsoft Word, and PowerPoint formats, cater to a wide range of interests, including literature, technology, science, history, and much more. One notable platform where you can explore and download free Mastercraft Compressor Manual PDF books and manuals is the internet's largest free library. Hosted online, this catalog compiles a vast assortment of documents, making it a veritable goldmine of knowledge. With its easy-to-use website interface and customizable PDF generator, this platform offers a user-friendly experience, allowing individuals to effortlessly navigate and access the information they seek. The availability of free PDF books and manuals on this platform demonstrates its commitment to democratizing education and empowering individuals with the tools needed to succeed in their chosen fields. It allows anyone, regardless of their background or financial limitations, to expand their horizons and gain insights from experts in various disciplines. One of the most significant advantages of downloading PDF books and manuals lies in their portability. Unlike physical copies, digital books can be stored and carried on a single device, such as a tablet or smartphone, saving valuable space and weight. This convenience makes it possible for readers to have their entire library at their fingertips, whether they are commuting, traveling, or simply enjoying a lazy afternoon at home. Additionally, digital files are easily searchable, enabling readers to locate specific information within seconds. With a few keystrokes, users can search for keywords, topics, or phrases, making research and finding relevant information a breeze. This efficiency saves time and effort, streamlining the learning process and allowing individuals to focus on extracting the information they need. Furthermore, the availability of free PDF books and manuals fosters a culture of continuous learning.

By removing financial barriers, more people can access educational resources and pursue lifelong learning, contributing to personal growth and professional development. This democratization of knowledge promotes intellectual curiosity and empowers individuals to become lifelong learners, promoting progress and innovation in various fields. It is worth noting that while accessing free Mastercraft Compressor Manual PDF books and manuals is convenient and cost-effective, it is vital to respect copyright laws and intellectual property rights. Platforms offering free downloads often operate within legal boundaries, ensuring that the materials they provide are either in the public domain or authorized for distribution. By adhering to copyright laws, users can enjoy the benefits of free access to knowledge while supporting the authors and publishers who make these resources available. In conclusion, the availability of Mastercraft Compressor Manual free PDF books and manuals for download has revolutionized the way we access and consume knowledge. With just a few clicks, individuals can explore a vast collection of resources across different disciplines, all free of charge. This accessibility empowers individuals to become lifelong learners, contributing to personal growth, professional development, and the advancement of society as a whole. So why not unlock a world of knowledge today? Start exploring the vast sea of free PDF books and manuals waiting to be discovered right at your fingertips.

### **FAQs About Mastercraft Compressor Manual Books**

How do I know which eBook platform is the best for me? Finding the best eBook platform depends on your reading preferences and device compatibility. Research different platforms, read user reviews, and explore their features before making a choice. Are free eBooks of good quality? Yes, many reputable platforms offer high-quality free eBooks, including classics and public domain works. However, make sure to verify the source to ensure the eBook credibility. Can I read eBooks without an eReader? Absolutely! Most eBook platforms offer web-based readers or mobile apps that allow you to read eBooks on your computer, tablet, or smartphone. How do I avoid digital eye strain while reading eBooks? To prevent digital eye strain, take regular breaks, adjust the font size and background color, and ensure proper lighting while reading eBooks. What the advantage of interactive eBooks? Interactive eBooks incorporate multimedia elements, quizzes, and activities, enhancing the reader engagement and providing a more immersive learning experience. Mastercraft Compressor Manual is one of the best book in our library for free trial. We provide copy of Mastercraft Compressor Manual in digital format, so the resources that you find are reliable. There are also many Ebooks of related with Mastercraft Compressor Manual. Where to download Mastercraft Compressor Manual online for free? Are you looking for Mastercraft Compressor Manual PDF? This is definitely going to save you time and cash in something you should think about.

**Find Mastercraft Compressor Manual :**

[halo reach legendary edition guide by brady games 2010 hardcover](#)

[hakim de ezeldrijver](#)

**handbook of cancer vaccines cancer drug discovery and development**

[hallelujah song notes](#)

[hamilton county fourth grade math pacing guide](#)

**hamilton county pacing guide**

**hall johnson his life his spirit and his music**

[handbook of resilience in children of war](#)

[handbook of research synthesis the](#)

[handbook of descriptive linguistic fieldwork](#)

[hamptons bohemia two centuries of artists and writers on the beach](#)

[hamlet guide graphic organizer](#)

[handboek der aardrijkskunde algemeen gedeelte 1ste 2e 3e stuk](#)

[handbook of global environmental politics second edition elgar original reference](#)

**hambley solutions manual**

**Mastercraft Compressor Manual :**

*beyond outrage expanded edition by robert b reich - Aug 17 2023*

web this new enhanced edition of robert b reich s beyond outrage features five entertaining and informative videos over 20 illustrations by the author and updated material america s economy and democracy are working for the benefit of

**beyond outrage what has gone wrong with our economy an** - Oct 19 2023

web jan 1 2012 robert b reich 4 06 2 108 ratings234 reviews in this ebook exclusive robert b reich urges americans to get beyond mere outrage about the nation s increasingly concentrated wealth and corrupt politics in order to mobilize and to take back our economy and democracy

*beyond outrage enhanced edition on apple books - Feb 11 2023*

web this new enhanced edition of robert b reich s beyond outrage features five entertaining and informative videos over 20 illustrations by the author and updated material america s economy and democracy are working for the benefit of

**beyond outrage expanded edition what has gone wrong with** - Aug 05 2022



web buy beyond outrage expanded edition what has gone wrong with our economy and our democracy and how to fix it vintage expanded ed by reich robert b isbn 9780345804372 from amazon s book store everyday low

**beyond outrage quotes by robert b reich goodreads** - Sep 06 2022

web 7 likes like it s no mere coincidence that over the last century the top earners share of the nation s total income peaked in 1928 and 2007 the two years just preceding the biggest downturns robert b reich beyond outrage 6 likes like

**beyond outrage by robert b reich overdrive** - Jan 10 2023

web sep 4 2012 beyond outrage connects the dots showing why the increasing share of income and wealth going to the top has hobbled jobs and growth for everyone else undermining our democracy caused americans to become increasingly cynical about public life and turned many americans against one another

**beyond outrage expanded edition google books** - Jul 16 2023

web sep 4 2012 beyond outrage connects the dots showing why the increasing share of income and wealth going to the top has hobbled jobs and growth for everyone else undermining our democracy caused

**beyond outrage expanded edition what has gone wrong with** - Mar 12 2023

web beyond outrage what has gone wrong with our economy and our democracy and how to fix it by robert b reich beyond outrage is a plea for action for those who care about the future of america accomplished author of twelve books and current professor of public policy robert reich provides insight to what happened to our economy and how to

[beyond outrage by robert b reich audiobook audible com](#) - May 02 2022

web beyond outrage as it s meant to be heard narrated by robert b reich discover the english audiobook at audible free trial available

[beyond outrage penguin random house](#) - Apr 13 2023

web robert b reich breaks down what s wrong with this country and urges americans to get beyond mere outrage about the nation s increasingly concentrated wealth and corrupt politics in order to mobilize and to take back our economy and democracy about the enhanced ebook

**beyond outrage by robert b reich publishers weekly** - Jun 03 2022

web beyond outrage robert reich vintage 9 99 trade paper 176p isbn 978 0 345 80437 2

[beyond outrage expanded edition what has gone wrong with](#) - Jun 15 2023

web sep 4 2012 robert b reich beyond outrage expanded edition what has gone wrong with our economy and our democracy and how to fix it kindle edition by robert b reich author format kindle edition 4 5 789 ratings see all formats and editions

america s economy and democracy are working for the benefit of an ever fewer privileged and

*beyond outrage what has gone wrong with our economy and* - Oct 07 2022

web robert b reich urges americans to get beyond mere outrage about the nation s increasingly concentrated wealth and corrupt politics in order to mobilize and to take back our economy and democracy

**beyond outrage by robert b reich overdrive** - Jul 04 2022

web apr 17 2012 in this ebook exclusive robert b reich urges americans to get beyond mere outrage about the nation s increasingly concentrated wealth and corrupt politics in order to mobilize and to take back our economy and democracy

*beyond outrage expanded edition what has gone wrong with* - Sep 18 2023

web sep 4 2012 beyond outrage expanded edition what has gone wrong with our economy and our democracy and how to fix it reich robert b on amazon com free shipping on qualifying offers beyond outrage expanded edition what has gone wrong with our economy and our democracy and how to fix it

**beyond outrage expanded edition abebooks** - Nov 08 2022

web beyond outrage expanded edition what has gone wrong with our economy and our democracy and how to fix it by reich robert b isbn 10 0345804376 isbn 13 9780345804372 vintage 2012 softcover

from beyond outrage by robert reich analysis ipl org - Feb 28 2022

web in his book from beyond outrage robert reich speaks about how wealth is concentrated among the top wealthiest people in american leading to a wide gap between the rich and poor by increasing inequalities in income

**beyond outrage book summary by robert b reich** - Apr 01 2022

web mar 17 2023 the author of the book beyond outrage is robert b reich who is a highly respected figure in public policy he has taught at the goldman school of public policy at the university of california and has served as a public policy advisor in three presidential administrations with his last position being secretary of labor under president bill

**beyond outrage what has gone wrong with our economy and** - May 14 2023

web reich robert b publication date 2012 topics right and left beyond outrage what you need to do access restricted item true addeddate 2020 09 03 12 01 07 boxid ia1924101 camera sony alpha a6300 control collection set printdisabled external identifier urn oclc record 1193370917

**beyond outrage kirkus reviews** - Dec 09 2022

web beyond outrage what has gone wrong with our economy and our democracy and how to fix it by robert b reich illustrated by robert b reich release date sept 4 2012

**fiese weihnachten cartoon sampler amazon de** - Mar 29 2023

web fiese weihnachten cartoon sampler schwalm dieter kleinert wolfgang diverse amazon de books

download solutions fiese weihnachten cartoon sampler - Feb 25 2023

web fiese weihnachten cartoon sampler student to student sep 09 2020 new college students face a world of adjustments as

they take on the challenge of campus life and

**frohe weihnachten images free vectors stock photos psd** - May 31 2023

web find download free graphic resources for frohe weihnachten 600 vectors stock photos psd files free for commercial use  
high quality images you can find

**fiese bescherung die besten weihnachts cartoons aller** - Nov 12 2021

**fiese bilder buchausgabe 2024 von buch kaufen ex libris** - Jul 21 2022

web bilder diverse fiese weihnachten cartoon sampler pdf dietmar bittrich opa kriegt nichts mehr zu trinken neue  
weihnachtsgeschichten mit der buckligen verwandtschaft

**fiese bilder cartoons für jeden tag 2022 tageskalender** - Jan 15 2022

web fiese weihnachten cartoon sampler pdf upload caliva b robertson 2 5 downloaded from live habitat com on october 24  
2023 by caliva b robertson including family processes

**fiese weihnachten cartoon sampler copy** - Apr 29 2023

web fiese weihnachten cartoon sampler some methods for the statistical analysis of samples of benthic invertebrates dec 18  
2020 practical sampling aug 06 2022

**9783830334750 fiese weihnachten cartoon sampler** - Jan 27 2023

web fiese weihnachten cartoon sampler finden sie alle bücher von schwalm dieter wolfgang kleinert und diverse bei der  
büchersuchmaschine eurobuch ch können sie

**fiese weihnachten portofrei bei bücher de bestellen** - Aug 02 2023

web 9 99 michael holtschulte den weihnachtsmann gibt s ja gar nicht 10 00 produktbeschreibung weihnachten kann ganz  
schön fies sein richtig fies wie ihnen

*fiese bescherung abebooks* - Aug 22 2022

web cartoon humor erzählende literatur romane gemischte anthologien literarische gattungen science fiction fantasy  
spannung mystery zum verschenken

**weihnachten cartoons lustige bilder funny cartoons gratis** - Sep 22 2022

web fiese bescherung die besten weihnachts cartoons aller zeiten cartoon sampler by diverse and a great selection of related  
books art and collectibles available now at

**fiese weihnachten cartoon sampler ai classmonitor com** - Feb 13 2022

web die cartoon serie fiese bilder versammelt jedes jahr zur cartoonair in prerow aktuelle cartoons der besten  
deutschsprachigen cartoonisten und karikaturisten

9783830334750 *fiese weihnachten cartoon sampler* - May 19 2022

web *fiese weihnachten cartoon sampler pdf upload arnold l hayda* 3 21 downloaded from live hubitat com on october 20 2023 by arnold l hayda van baar 2018 05 23 this book

[fiese weihnachten cartoon sampler 9783830334750](#) - Dec 26 2022

web 2017 paperback 144 seiten fba fba 2023 01 04 9349 vg 398k diverse

**fiese weihnachten mängelexemplar buecher billiger de** - Oct 24 2022

web weihnachten cartoon zoll und weihnachtsmann zugriffe 30177 weihnachtsbaum cartoon gratis zugriffe 22431

weihnachtsmann cartoon kostenlos zugriffe 29630

*fiese weihnachten cartoon sampler* - Mar 17 2022

web *fiese weihnachten cartoon sampler 5 5 research on music teaching and learning* was published in 1992 by schirmer books with the sponsorship of the music educators

*fiese weihnachten cartoon sampler pdf live hubitat com* - Dec 14 2021

web oct 1 2020 *fiese bescherung die besten weihnachts cartoons aller zeiten cartoon sampler von various gebundene* ausgabe bei medimops de bestellen gebraucht

[fiese weihnachten cartoon sampler pdf pdf live hubitat](#) - Apr 17 2022

web *fiese weihnachten cartoon sampler right here we have countless ebook fiese weihnachten cartoon sampler and* collections to check out we additionally allow

**fiese weihnachten cartoon sampler by dieter schwalm** - Jun 19 2022

web *fiese weihnachten cartoon sampler trouvez tous les livres de schwalm dieter wolfgang kleinert und diverse sur eurolivre* fr vous pouvez commander des livres

**fiese bescherung die besten weihnachts cartoons** - Nov 24 2022

web weihnachten kann ganz schön fies sein richtig fies wie ihnen die cartoonistinnen und cartoonisten in diesem brandneuen sampler mit ihren besten einfällen zu diesem

**fiese weihnachten cartoon sampler amazon de** - Oct 04 2023

web *fiese weihnachten cartoon sampler schwalm dieter kleinert wolfgang diverse isbn 9783830334750 kostenloser versand* für alle bücher mit versand und verkauf

[fiese weihnachten diverse 9783830334750 abebooks](#) - Sep 03 2023

web *fiese weihnachten by diverse isbn 10 3830334753 isbn 13 9783830334750 lappan verlag 2017 softcover*

**fiese weihnachten 9783830334750 zvab** - Jul 01 2023

web softcover isbn 10 3830334753 isbn 13 9783830334750 verlag lappan verlag alle exemplare der ausgabe mit dieser isbn

anzeigen gebraucht kaufen

about the program vocabulary from classical roots school - Sep 10 2022

web strategic vocabulary instruction through greek and latin roots vocabulary from classical roots is ideal for students mastering a growing content area vocabulary in social studies science literature and mathematics predominantly multisyllabic greek

**vocabulary from classical roots c amazon com** - Oct 11 2022

web jan 1 1993 paperback 22 95 13 used from 6 56 5 new from 22 95 vocabulary from classical roots is a thematically organized vocabulary program based on greek and latin roots each of the 16 lessons features 2 3 roots and 8 *sample lesson school specialty* - Apr 17 2023

web sample lesson rt i book c lessons 3 4 test key educators publishing service vocabulary classical roots i 1 a 2 c 3 c 4 a ii 5 c 6 a 7 a 8 a 9 c iii 10 a 11 b 12 d 13 c iv 14 c 15 a 16 a 17 b 18 c 19 d 20 a vocabulary from classical roots book c answer key to tests lessons 3 4 created date

*grade 8 classical roots english book c flashcards quizlet* - Feb 15 2023

web learn grade 8 classical roots english book c with free interactive flashcards choose from 500 different sets of grade 8 classical roots english book c flashcards on quizlet

vocabulary classical roots grade 8 christianbook com - Jul 08 2022

web combining the most useful roots with just 20 of the most frequently used prefixes and suffixes generates about 100 000 words vocabulary from classical roots can help students learn new words and strategies for determining the meaning of new words they encounter in books grade 8 teacher s guide and answer key features include

**classical roots c lesson 8 bb bravewords** - Dec 13 2022

web from classical roots is a thematically organized vocabulary program based on greek and latin roots each of the 16 lessons features 2 3 roots and 8 15 words derived from these roots words are presented with dictionary style definitions and all words are used in example sentences lists of familiar words and challenge words are provided for

*vocabulary from classical roots book c answer key only* - Aug 09 2022

web this answer key accompanies educators publishing service s vocabulary from classical roots book c and features line listed answers arranged by lesson and exercise number booklet please note that this item is available for purchase by homeschooled only vocabulary from classical roots book c answer key only homeschool edition

**classical roots exodus books** - Nov 12 2022

web classical roots vocabulary classical roots book c recommended for grade 9 vocabulary from classical roots book c uses carefully selected greek and latin roots to reinforce vocabulary development and teach students essential vocabulary skills

**classical roots c lesson 8 orientation sutd edu sg** - Jun 07 2022

web classical roots c lesson 8 mathematics curriculum victorian curriculum may 13th 2018 in level a students experience and respond to personally relevant and familiar situations and events that regularly and routinely involve activities and actions such as comparing adding and removing distributing placing and moving sanskrit wikipedia

**vocab from classical roots book c lesson 7 and 8 quizlet** - Jun 19 2023

web vocab from classical roots book c lesson 1 and 2 40 terms laxmomof4 other sets by this creator our weather and water test 2 62 terms laxmomof4 our weather water unit 4 lesson 13 10 terms laxmomof4 quizlet 2 english to french adjectives 100 terms laxmomof4 all french adjectives 146 terms

*classical roots vocabulary book c lesson 7 and 8 quizlet* - May 18 2023

web 1 related to the family or household 2 tame trained to live with humans 3 indigenous to a particular country native dominus head of the household lord master latin domain range of one s control territory domineer to dominate to be bossy dominion control rule area of influence dormio dormire dormivi dormitum

**sample lesson school specialty** - Jan 14 2023

web book c lesson 4 key educators publishing service vocabulary classical roots key for lesson 4 book c lesson 4 exercise 4a exercise 4b exercise 4c 1 a 1 a 1 mortify 2 a 2 c 2 postmortem 3 e 3 c 3 puerile 4 a 4 c 4 orthopedic 5 c 5 a 5 naive 6 a 6 d 6 pedantic 7 e 7 b

classical roots c lesson 8 help environment harvard edu - May 06 2022

web classical roots c lesson 8 is available in our digital library an online access to it is set as public so you can get it instantly our books collection spans in multiple countries allowing you to get the most less latency time to download any of our books like this one

*vocabulary from classical roots c lesson 7 8 flashcards* - Jul 20 2023

web 1 31 flashcards learn test match created by cl911 this is the vocabulary introduced in lesson 7 8 terms in this set 31 domicile a home residence domestic first definition related to the family or household domestic second definition tame trained to live with humans domestic third definition indigenous to a particular area domain

vocabulary from classical roots book c lesson 8 quizlet - Aug 21 2023

web definition 1 22 l to cook click the card to flip flashcards learn test match created by mrdictionarybook all the words and roots from lesson 8 terms in this set 22

**vocabulary from classical roots homeschool lesson plans** - Apr 05 2022

web exercises based on synonyms antonyms analogies contextual vocabulary and sentence completions not only test students mastery of definitions but also develop their familiarity with the format of comparable items grade 8 105 pages softcover with

word list vocabulary from classical roots cfor grade 9

**classical roots lesson 8 book c flashcards quizlet** - Sep 22 2023

web start studying classical roots lesson 8 book c learn vocabulary terms and more with flashcards games and other study tools

**classical roots exodus books** - Mar 16 2023

web vocabulary from classical roots tests for book c are designed to assess each lesson in book c these tests include question types commonly found on standardized tests and cover every key word in every lesson

**vocabulary from classical roots book c lesson 8 flashcards** - Oct 23 2023

web vocabulary rewrite the following sentence correctly adding or dropping capital letters as necessary because fishing is so important to this island nation icelandic ships battlet with british ships over fishing rights in a dispute that lasted four years 1972 1976 1972 1976 1972 1976 verified answer

**vocabulary from classical roots b teacher s guide answer key grade 8** - Mar 04 2022

web teacher s guide a powerful tool that complements extends and enriches the series the teacher s guides provide scaffolded instruction for individual learning needs a variety of written and oral word games helps students build word learning strategies and gives them practice using the familiar and key vocabulary words from each lesson