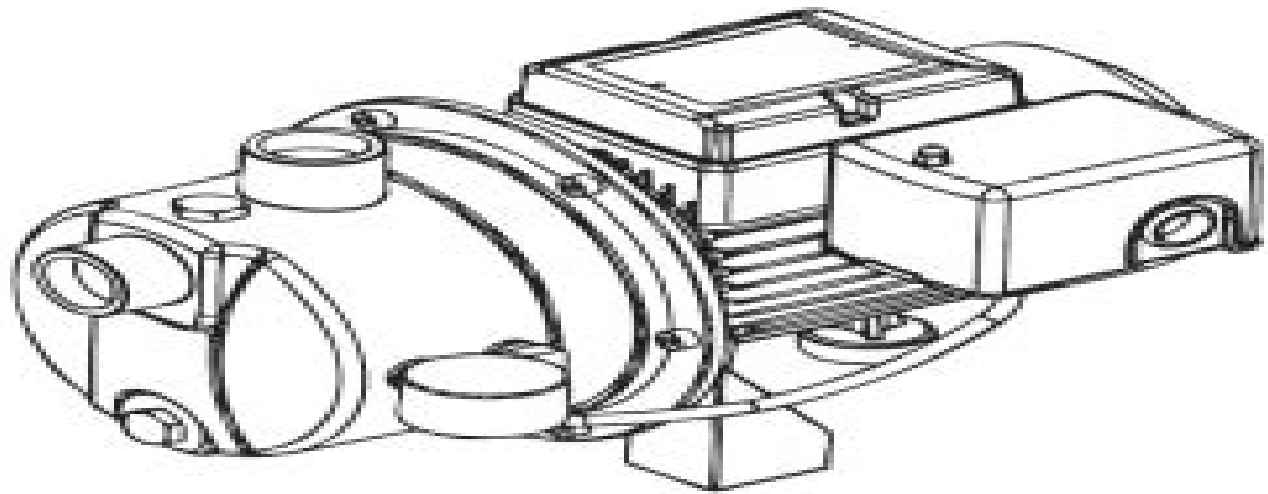


model no. 062-3423-B



Stainless Steel
SHALLOW WELL JET PUMP



IMPORTANT:
Please read this manual carefully before running
this pump and save it for reference.

**INSTRUCTION
MANUAL**

Mastercraft Wet Jet Service Manual

JS Bruner



Mastercraft Wet Jet Service Manual:

Factory ,1964 Ski ,1987-06 **Factory The Magazine of Manufacturing** .April,1964 Factory The Magazine of Manufacturing .April,1964,1964 **Moody's OTC Unlisted Manual** ,1997 **Popular Mechanics** ,1949-05 Popular Mechanics inspires instructs and influences readers to help them master the modern world Whether it s practical DIY home improvement tips gadgets and digital technology information on the newest cars or the latest breakthroughs in science PM is the ultimate guide to our high tech lifestyle New Hampshire Register, State Year-book and Legislative Manual ,1941

Popular Mechanics ,1972-05 Popular Mechanics inspires instructs and influences readers to help them master the modern world Whether it s practical DIY home improvement tips gadgets and digital technology information on the newest cars or the latest breakthroughs in science PM is the ultimate guide to our high tech lifestyle *Popular Mechanics* ,1948-07 Popular Mechanics inspires instructs and influences readers to help them master the modern world Whether it s practical DIY home improvement tips gadgets and digital technology information on the newest cars or the latest breakthroughs in science PM is the ultimate guide to our high tech lifestyle **Thomas Register** ,2004 **Popular Science** ,1952-05 Popular Science gives our readers the information and tools to improve their technology and their world The core belief that Popular Science and our readers share The future is going to be better and science and technology are the driving forces that will help make it better Profitable Hobbies ,1955 **Boating** ,1998-01 *Popular Mechanics* ,1972 **Sweet's Catalog File** ,1985 Thomas Register of American Manufacturers ,2002 This basic source for identification of U S manufacturers is arranged by product in a large multi volume set Includes Products services Company profiles and Catalog file **Chicago, Cook County, and Illinois Industrial Directory** ,1978 *Pennsylvania Farmer* ,1953 **Thomas Register of American Manufacturers and Thomas Register Catalog File** ,2002 Vols for 1970 71 includes manufacturers catalogs **Popular Mechanics** ,1949-03 Popular Mechanics inspires instructs and influences readers to help them master the modern world Whether it s practical DIY home improvement tips gadgets and digital technology information on the newest cars or the latest breakthroughs in science PM is the ultimate guide to our high tech lifestyle Home Craftsman ,1949

Mastercraft Wet Jet Service Manual Book Review: Unveiling the Power of Words

In some sort of driven by information and connectivity, the energy of words has are more evident than ever. They have the capacity to inspire, provoke, and ignite change. Such may be the essence of the book **Mastercraft Wet Jet Service Manual**, a literary masterpiece that delves deep to the significance of words and their effect on our lives. Compiled by a renowned author, this captivating work takes readers on a transformative journey, unraveling the secrets and potential behind every word. In this review, we shall explore the book is key themes, examine its writing style, and analyze its overall impact on readers.

http://www.armchairempire.com/About/detail/Download_PDFS/manual_baotian_bt49qt_12e.pdf

Table of Contents Mastercraft Wet Jet Service Manual

1. Understanding the eBook Mastercraft Wet Jet Service Manual
 - The Rise of Digital Reading Mastercraft Wet Jet Service Manual
 - Advantages of eBooks Over Traditional Books
2. Identifying Mastercraft Wet Jet Service Manual
 - Exploring Different Genres
 - Considering Fiction vs. Non-Fiction
 - Determining Your Reading Goals
3. Choosing the Right eBook Platform
 - Popular eBook Platforms
 - Features to Look for in an Mastercraft Wet Jet Service Manual
 - User-Friendly Interface
4. Exploring eBook Recommendations from Mastercraft Wet Jet Service Manual
 - Personalized Recommendations
 - Mastercraft Wet Jet Service Manual User Reviews and Ratings
 - Mastercraft Wet Jet Service Manual and Bestseller Lists

5. Accessing Mastercraft Wet Jet Service Manual Free and Paid eBooks
 - Mastercraft Wet Jet Service Manual Public Domain eBooks
 - Mastercraft Wet Jet Service Manual eBook Subscription Services
 - Mastercraft Wet Jet Service Manual Budget-Friendly Options
6. Navigating Mastercraft Wet Jet Service Manual eBook Formats
 - ePub, PDF, MOBI, and More
 - Mastercraft Wet Jet Service Manual Compatibility with Devices
 - Mastercraft Wet Jet Service Manual Enhanced eBook Features
7. Enhancing Your Reading Experience
 - Adjustable Fonts and Text Sizes of Mastercraft Wet Jet Service Manual
 - Highlighting and Note-Taking Mastercraft Wet Jet Service Manual
 - Interactive Elements Mastercraft Wet Jet Service Manual
8. Staying Engaged with Mastercraft Wet Jet Service Manual
 - Joining Online Reading Communities
 - Participating in Virtual Book Clubs
 - Following Authors and Publishers Mastercraft Wet Jet Service Manual
9. Balancing eBooks and Physical Books Mastercraft Wet Jet Service Manual
 - Benefits of a Digital Library
 - Creating a Diverse Reading Collection Mastercraft Wet Jet Service Manual
10. Overcoming Reading Challenges
 - Dealing with Digital Eye Strain
 - Minimizing Distractions
 - Managing Screen Time
11. Cultivating a Reading Routine Mastercraft Wet Jet Service Manual
 - Setting Reading Goals Mastercraft Wet Jet Service Manual
 - Carving Out Dedicated Reading Time
12. Sourcing Reliable Information of Mastercraft Wet Jet Service Manual
 - Fact-Checking eBook Content of Mastercraft Wet Jet Service Manual
 - Distinguishing Credible Sources
13. Promoting Lifelong Learning

- Utilizing eBooks for Skill Development
 - Exploring Educational eBooks
14. Embracing eBook Trends
- Integration of Multimedia Elements
 - Interactive and Gamified eBooks

Mastercraft Wet Jet Service Manual Introduction

Free PDF Books and Manuals for Download: Unlocking Knowledge at Your Fingertips In today's fast-paced digital age, obtaining valuable knowledge has become easier than ever. Thanks to the internet, a vast array of books and manuals are now available for free download in PDF format. Whether you are a student, professional, or simply an avid reader, this treasure trove of downloadable resources offers a wealth of information, conveniently accessible anytime, anywhere. The advent of online libraries and platforms dedicated to sharing knowledge has revolutionized the way we consume information. No longer confined to physical libraries or bookstores, readers can now access an extensive collection of digital books and manuals with just a few clicks. These resources, available in PDF, Microsoft Word, and PowerPoint formats, cater to a wide range of interests, including literature, technology, science, history, and much more. One notable platform where you can explore and download free Mastercraft Wet Jet Service Manual PDF books and manuals is the internet's largest free library. Hosted online, this catalog compiles a vast assortment of documents, making it a veritable goldmine of knowledge. With its easy-to-use website interface and customizable PDF generator, this platform offers a user-friendly experience, allowing individuals to effortlessly navigate and access the information they seek. The availability of free PDF books and manuals on this platform demonstrates its commitment to democratizing education and empowering individuals with the tools needed to succeed in their chosen fields. It allows anyone, regardless of their background or financial limitations, to expand their horizons and gain insights from experts in various disciplines. One of the most significant advantages of downloading PDF books and manuals lies in their portability. Unlike physical copies, digital books can be stored and carried on a single device, such as a tablet or smartphone, saving valuable space and weight. This convenience makes it possible for readers to have their entire library at their fingertips, whether they are commuting, traveling, or simply enjoying a lazy afternoon at home. Additionally, digital files are easily searchable, enabling readers to locate specific information within seconds. With a few keystrokes, users can search for keywords, topics, or phrases, making research and finding relevant information a breeze. This efficiency saves time and effort, streamlining the learning process and allowing individuals to focus on extracting the information they need. Furthermore, the availability of free PDF books and manuals fosters a culture of continuous learning. By removing financial barriers, more people can access educational resources and pursue lifelong learning, contributing to

personal growth and professional development. This democratization of knowledge promotes intellectual curiosity and empowers individuals to become lifelong learners, promoting progress and innovation in various fields. It is worth noting that while accessing free Mastercraft Wet Jet Service Manual PDF books and manuals is convenient and cost-effective, it is vital to respect copyright laws and intellectual property rights. Platforms offering free downloads often operate within legal boundaries, ensuring that the materials they provide are either in the public domain or authorized for distribution. By adhering to copyright laws, users can enjoy the benefits of free access to knowledge while supporting the authors and publishers who make these resources available. In conclusion, the availability of Mastercraft Wet Jet Service Manual free PDF books and manuals for download has revolutionized the way we access and consume knowledge. With just a few clicks, individuals can explore a vast collection of resources across different disciplines, all free of charge. This accessibility empowers individuals to become lifelong learners, contributing to personal growth, professional development, and the advancement of society as a whole. So why not unlock a world of knowledge today? Start exploring the vast sea of free PDF books and manuals waiting to be discovered right at your fingertips.

FAQs About Mastercraft Wet Jet Service Manual Books

How do I know which eBook platform is the best for me? Finding the best eBook platform depends on your reading preferences and device compatibility. Research different platforms, read user reviews, and explore their features before making a choice. Are free eBooks of good quality? Yes, many reputable platforms offer high-quality free eBooks, including classics and public domain works. However, make sure to verify the source to ensure the eBook credibility. Can I read eBooks without an eReader? Absolutely! Most eBook platforms offer webbased readers or mobile apps that allow you to read eBooks on your computer, tablet, or smartphone. How do I avoid digital eye strain while reading eBooks? To prevent digital eye strain, take regular breaks, adjust the font size and background color, and ensure proper lighting while reading eBooks. What the advantage of interactive eBooks? Interactive eBooks incorporate multimedia elements, quizzes, and activities, enhancing the reader engagement and providing a more immersive learning experience. Mastercraft Wet Jet Service Manual is one of the best book in our library for free trial. We provide copy of Mastercraft Wet Jet Service Manual in digital format, so the resources that you find are reliable. There are also many Ebooks of related with Mastercraft Wet Jet Service Manual. Where to download Mastercraft Wet Jet Service Manual online for free? Are you looking for Mastercraft Wet Jet Service Manual PDF? This is definitely going to save you time and cash in something you should think about. If you trying to find then search around for online. Without a doubt there are numerous these available and many of them have the freedom. However without doubt you receive whatever you purchase. An alternate way to get ideas is always to check another Mastercraft Wet

Jet Service Manual. This method for see exactly what may be included and adopt these ideas to your book. This site will almost certainly help you save time and effort, money and stress. If you are looking for free books then you really should consider finding to assist you try this. Several of Mastercraft Wet Jet Service Manual are for sale to free while some are payable. If you arent sure if the books you would like to download works with for usage along with your computer, it is possible to download free trials. The free guides make it easy for someone to free access online library for download books to your device. You can get free download on free trial for lots of books categories. Our library is the biggest of these that have literally hundreds of thousands of different products categories represented. You will also see that there are specific sites catered to different product types or categories, brands or niches related with Mastercraft Wet Jet Service Manual. So depending on what exactly you are searching, you will be able to choose e books to suit your own need. Need to access completely for Campbell Biology Seventh Edition book? Access Ebook without any digging. And by having access to our ebook online or by storing it on your computer, you have convenient answers with Mastercraft Wet Jet Service Manual To get started finding Mastercraft Wet Jet Service Manual, you are right to find our website which has a comprehensive collection of books online. Our library is the biggest of these that have literally hundreds of thousands of different products represented. You will also see that there are specific sites catered to different categories or niches related with Mastercraft Wet Jet Service Manual So depending on what exactly you are searching, you will be able tochoose ebook to suit your own need. Thank you for reading Mastercraft Wet Jet Service Manual. Maybe you have knowledge that, people have search numerous times for their favorite readings like this Mastercraft Wet Jet Service Manual, but end up in harmful downloads. Rather than reading a good book with a cup of coffee in the afternoon, instead they juggled with some harmful bugs inside their laptop. Mastercraft Wet Jet Service Manual is available in our book collection an online access to it is set as public so you can download it instantly. Our digital library spans in multiple locations, allowing you to get the most less latency time to download any of our books like this one. Merely said, Mastercraft Wet Jet Service Manual is universally compatible with any devices to read.

Find Mastercraft Wet Jet Service Manual :

[manual baotian bt49qt 12e](#)

[manual arctic cat trv 450](#)

[manchild dying in the promised land strategies to save black males](#)

[manual adobe flash player](#)

[manual a duct design guide](#)

managing successful programmes 2011

manners and customs of the bible super value series

manitou mlt 731 manual

manual basico de instrumentacion quirurgica para enfermeria

manual can opener instructions

manual 3304h ryobi

~~manual bank reconciliation in sap~~

manifolds sheaves and cohomology springer studium mathematik master

manual belarus mtz 80

~~manipal manual of surgery medical students~~

Mastercraft Wet Jet Service Manual :

one man two guvnors the repertory theatre of st louis - May 11 2023

web 10 irl major sponsors ann hugh scott one man two guvnors by richard bean based on the servant of two masters by carlo goldoni with music by grant olding

national theatre live one man two guvnors 2011 subs like - Dec 26 2021

one man two guvnors the english department - Jul 01 2022

web francis henshall james corden has an argument with himself about balancing his two jobs which is especially difficult when both are secrets mini series broadway on pbs

one man two guvnors richard bean google books - Sep 03 2022

web oct 1 2014 playwright richard bean you can make jokes about anything one man two guvnors is a box office phenomenon and the man behind it has another five plays on

one man two guvnors monologue francis 1 mighty actor - Apr 29 2022

web citations about this book fired from his skiffle band francis henshall becomes minder to roscoe crabbe a small time east end hood now in brighton to collect 6 000 from his

one man two guvnors pdf scribd - Jun 12 2023

web of 6 one man two guvnors scene 2 edited outside the cricketer s pub some trash bins francis my father tommy henshall god rest his soul he woulda been

origin theatrical one man two guvnors - Aug 02 2022

web francis outside the cricketer s arms pub there are tables and a dustbin enter francis from the pub entrance on the pub

table are some unfinished drinks some dregs of

one man two guvnors bean richard 1956 author - Dec 06 2022

web jun 18 2012 to prevent discovery francis must keep his two guvnors apart simple based on carlo goldoni s classic italian comedy the servant of two

one man two guvnors concord theatricals - Feb 25 2022

web jul 3 2020 one man two guvnors is a carlo goldoni adaptation directed by nicholas hytner and written by richard bean starred james corden renowned for his writing and

one man two guvnors play plot characters - Apr 10 2023

web this learning guide supports the national theatre s production of one man two guvnors directed by nicholas hytner which opened on 24th may 2011 at the national s lyttelton

pdf one man two guvnors by richard bean ebook perlego - Jan 27 2022

web to find more books about one man two guvnors script you can use related keywords one man two guvnors script one man two guvnors play script one man two

one man two guvnors play monologues stageagent - Oct 04 2022

web the production of one man two guvnors opened in the national s lyttelton theatre on 24 may 2011 transferring to he began writing full scripts and banned masks which he

[one man two guvnors learning pack media bloomsbury com](#) - Jan 07 2023

web selected monologues from one man two guvnors including video examples context and character information join stageagent today and unlock amazing theatre resources and

one man 2 guvnors script pdf document - Nov 05 2022

web one man two guvnors written by richard bean based on the servant of two masters by carlo goldoni full length play comedy 1960s 6m 3f isbn 9780573111020

playwright richard bean you can make jokes about anything - May 31 2022

web to prevent discovery francis must keep his two guvnors apart simple based on the classic italian comedy the servant of two masters by carlo goldoni in this new english

one man two guvnors concord theatricals - Mar 09 2023

web one man two guvnors is based on the servant of two masters by carlo goldoni while the plot is largely the same this version renames the characters and moves the location

james corden s argument with himself great performances pbs - Mar 29 2022

web national theatre live one man two guvnors 2011 full transcript fired from his skiffle band francis henshall becomes

minder to roscoe crabbe a small time east end hood

one man two guvnors wikipedia - Jul 13 2023

one man two guvnors is a play by richard bean an english adaptation of servant of two masters italian il servitore di due padroni a 1743 commedia dell arte style comedy play by the italian playwright carlo goldoni the play replaces the italian period setting of the original with brighton in 1963 the play opened at the national theatre in 2011 toured in the uk and then opened in the west end in november 2011 with a subsequent broadway opening in april 2012 t

one man 2 guvnors script pdf document - Aug 14 2023

web dec 16 2015 one man two guvnors the repertory theatre of st louis one man two guvnors by richard bean based on the servant of two masters by carlo goldoni

one man two guvnors visual performing arts essay essay - Nov 24 2021

one man two guvnors learning guide bloomsbury publishing - Feb 08 2023

web dec 16 2015 one man two guvnors the repertory theatre of st louis one man two guvnors by richard bean based on the servant of two masters by carlo goldoni

one man two guvnors dramatists play service - Sep 15 2023

web by richard bean dramatists play service inc one man two guvnors copyright 2011 richard bean all rights reserved caution professionals and

one man two guvnors script pdf ebook and manual free - Oct 24 2021

the bride for a billionaire series in order by lynne graham fictiondb - May 10 2023

web the bride for a billionaire by lynne graham author series lists g lynne graham series list the bride for a billionaire of books 10 first book may 2013 latest book february 2020 genres contemporary category romance series rating get our newsletter the bride for a billionaire series in order 10 books

the maid married to the billionaire by lynne graham goodreads - Apr 09 2023

web jul 25 2023 167 ratings12 reviews cinderella s new start begins at the altar in this marriage of convenience romance by usa today bestselling author lynne graham from runaway to housekeeper to the italian s wife when enzo stops to help a broken down car he s shocked by his discovery

the billionaire s bridal bargain goodreads - Nov 04 2022

web aug 6 2015 the billionaire s bridal bargain by lynne graham was a marriage of convenience romance which i personally think lynne graham does best cesare is an alpha sexy hero who needs to buy the heroine s island for his grandmother who

wants to go back to her family home before she dies

welcome to the lynne graham website mills boon romance - Jun 11 2023

web jul 3 2022 the italian s bride worth billions december 2022 read more order now the king s christmas heir the stefanos legacy book 3 september 2022 read more order now the heirs his housekeeper carried the stefanos legacy book 2 may 2022

[a bride for a billionaire box set an anthology by lynne graham](#) - Jan 06 2023

web feb 10 2014 in the billionaire s trophy when bastian christou sees his intern s photo on an escort website he s stunned by both her double life and her stunning photo since bastian has an ex fiancée to keep at bay emmie marshall might just be the best armor money can buy

the billionaire s trophy lynne graham - Feb 24 2022

web apr 19 2013 the billionaire s trophy bride for a billionaire book 3 july 19 2013 july 23 2013 related books april 19 2013 april 23 2013 may 21 2013 may 21 2013 august 20 2013 august 20 2013 preview on his arm and in his bed what is his intern s photo doing on an escort website

read the italian s bride worth billions by lynne graham online - Mar 28 2022

web the italian s bride worth billions his ring will save her from ruin her i do will save him from scandal gianni renzetti wastes no time planning the restoration of his reputation when the rumor mill threatens his position as ceo

the maid married to the billionaire lynne graham google books - Apr 28 2022

web cinderella s new start begins at the altar in this marriage of convenience romance by usa today bestselling author lynne graham from runaway to housekeeper to the italian s wife when enzo stops to help a broken down car he s shocked by his discovery skye is frightened on the run and with tiny siblings in tow

[a bride for a billionaire series by lynne graham goodreads](#) - Oct 15 2023

web a bride for a billionaire series 4 primary works 5 total works book 1 a rich man s whim by lynne graham 3 58 1 221 ratings 102 reviews published 2013 50 editions a month with the ruthless russian kat marshall has want to read rate it book 2 the sheikh s prize by lynne graham

brides for billionaires lynne graham google books - Dec 05 2022

web jan 1 2014 brides for billionaires lynne graham harpercollins publishers jan 1 2014 fiction 768 pages a four book series about the marshall sisters by international bestseller lynne graham

the maid married to the billionaire lynne graham - Mar 08 2023

web jul 25 2023 preview from runaway to housekeeper to the italian s wife when enzo stops to help a broken down car he s shocked by his discovery skye is frightened on the run and with tiny siblings in tow enzo s honor dictates he

the maid married to the billionaire by lynne graham paperback - Jun 30 2022

web jul 25 2023 cinderella s new start begins at the altar in this marriage of convenience romance by usa today bestselling author lynne graham from runaway to housekeeper to the italian s wife when enzo stops to help a broken down car he s shocked by his discovery skye is frightened on the run and with tiny siblings in tow

the billionaire s trophy by lynne graham goodreads - Oct 03 2022

web jul 23 2013 926 ratings76 reviews on his arm and in his bed what is his intern s photo doing on an escort website bastian christou doesn t know if he s more surprised by her double life or her stunning photo she s kept those curves well hidden he has an ex fiancée to keep at bay and emmie marshall might just be the best armor money can buy

the italian billionaire s pregnant bride by lynne graham goodreads - May 30 2022

web feb 1 2008 the italian billionaire s pregnant bride lynne graham 3 67 1 695 ratings93 reviews a waitress by day and office cleaner by night kathy labors to forget her traumatic past until the evening when impossibly rich ruthless and handsome sergio torrente takes her virginity

lynne graham a bride for a billionaire box set a rich man s - Aug 01 2022

web lynne marshall a doctor for keeps lynne graham a bride for a billionaire box set a rich man s whim the sheikh s prize the billionaire s trophy challenging dante i enjoyed reading this boxed set author did a good job not repeating everything about all four sisters in

a bride for a billionaire box set by lynne graham goodreads - Jul 12 2023

web jan 1 2014 lynne graham 4 13 183 ratings7 reviews in a rich man s whim bedding kat should be easy for billionaire mikhael but the tempting redhead is impossible to seduce so mikhael offers to pay off her debts in exchange for a month on his yacht and in his cabin virginity included

a bride for a billionaire box set ebook by lynne graham hoopla - Sep 02 2022

web by lynne graham a rich man s whim the sheikh s prize the billionaire s trophy challenging dante part of the bride for a billionaire series in a rich man s whim bedding kat should be easy for billionaire mikhael

lynne graham brides for billionaires read online at litres - Feb 07 2023

web in litres digital library you can download the book brides for billionaires by lynne graham read reviews of the book and write your own at litres

a rich man s whim a bride for a billionaire 1 by lynne graham - Aug 13 2023

web apr 23 2013 a bride for a billionaire 1 a rich man s whim lynne graham 3 58 1 221 ratings102 reviews a month with the ruthless russian kat marshall has sacrificed everything for her younger sisters and with money tighter than ever she s in *read a bride for a billionaire series by lynne graham online for* - Sep 14 2023

web the hardest cheese in the world chhurpi s remarkable 20 year shelf life read a bride for a billionaire series by lynne

graham online for free a bride for a billionaire is a billionaire romance series by lynne graham read free books online

technical drawing with engineering graphics giesecke - Nov 08 2022

web jul 8 2016 technical drawing with engineering graphics giesecke frederick mitchell alva spencer henry hill ivan dygdon john novak james loving r lockhart shawna johnson cindy goodman marla on amazon com free shipping on qualifying offers

technical drawing with engineering graphics

technical drawing with engineering graphics amazon com - Apr 01 2022

web jan 1 2011 only 1 left in stock order soon technical drawing and engineering graphics fourteenth edition provides a clear comprehensive introduction and detailed easy to use reference to creating 2d documentation drawings and engineering graphics by hand or using cad

technical drawing with engineering graphics pearson - Sep 06 2022

web jul 6 2021 isbn 13 9780137400140 technical drawing with engineering graphics published 2021

technical drawing with engineering graphics 15th edition - Feb 11 2023

web jul 6 2021 technical drawing with engineering graphics 15th edition frederick e giesecke shawna lockhart james e novak cindy m johnson ivan l hill alva mitchell john t dygdon marla goodman henry c spencer r o loving

technical drawing with engineering graphics 16 - May 14 2023

web the sixteenth edition of giesecke s technical drawing with engineering graphics is a comprehensive introduction and detailed reference for creating 3d models and 2d documentation drawings continuing its reputation as a trusted reference this edition is updated to convey recent standards for documenting 2d drawings and 3d cad models

technical drawing with engineering graphics 15th edition - Dec 09 2022

web technical drawing with engineering graphics 15th edition by frederick e giesecke alva mitchell henry c spencer ivan l hill john t dygdon james e novak r o loving shawna e lockhart cindy johnson released july 2016 publisher s peachpit press isbn 9780134580869

engineering graphics giesecke frederick e mitchell alva - Jun 15 2023

web engineering graphics giesecke frederick e mitchell alva spencer henry c hill ivan l loving robert olin dygdon john t novak james e amazon com tr kitap

by frederick e giesecke technical drawing with engineering graphics - Feb 28 2022

web engineering graphics custom edition 14th for itt technical insitute discovering autocad engineering graphics by frederick e giesecke and others etc basic technical drawing engineering graphics with autocad 2017 2 download technical drawing a modern perspective

technical drawing with engineering graphics frederick ernest giesecke - Jun 03 2022

web technical drawing with engineering graphics frederick ernest giesecke google books this full color text offers a clear complete introduction and detailed reference for creating 3d

[engineering graphics giesecke frederick e mitchell alva](#) - Aug 17 2023

web jan 1 2003 engineering graphics giesecke frederick e mitchell alva spencer henry cecil hill ivan leroy dygdon jhn thomas giesecke frederick e on amazon com free shipping on qualifying offers engineering graphics

[technical drawing with engineering graphics frederick e giesecke](#) - Jan 10 2023

web frederick e giesecke pearson prentice hall 2011 computer aided design 936 pages technical drawing and engineering graphics fourteenth edition provides a clear comprehensive

principles of engineering graphics by giesecke frederick ernest - May 02 2022

web jan 27 2023 principles of engineering graphics by giesecke frederick ernest frederick e giesecke alva mitchell henry cecil spencer john thomas dygdon james e novak 1994 macmillan pub co maxwell macmillan canada maxwell macmillan international edition in english 2nd ed

[engineering graphics giesecke frederick e frederick ernest](#) - Sep 18 2023

web engineering graphics by giesecke frederick e frederick ernest publication date 1981 topics engineering drawings mechanical drawing technical drawings draftsmanship publisher new york macmillan london collier macmillan

technical drawing with engineering graphics giesecke - Apr 13 2023

web technical drawing and engineering graphics fourteenth edition provides a clear comprehensive introduction and detailed easy to use reference to creating 2d documentation drawings and engineering graphics by hand or using cad

[by frederick e giesecke technical drawing with engineering graphics](#) - Jan 30 2022

web technical drawing by frederick e giesecke alva mitchell principles of technical drawing frederick e giesecke by frederick e giesecke technical drawing with engineering graphics custom edition 14th for itt technical insitute downloaded from ams istanbul edu tr by guest kiera small engineering graphics 8th edition

by frederick e giesecke technical drawing with engineering graphics - Aug 05 2022

web by frederick e giesecke technical drawing with engineering graphics custom edition 14th for itt technical insitute books by frederick e giesecke author of technical drawing technical drawing with engineering graphics 15th edition principles of technical drawing frederick e giesecke technical drawing with engineering

[principles of engineering graphics giesecke frederick e](#) - Mar 12 2023

web principles of engineering graphics giesecke frederick e mitchell alva amazon com tr kitap

principles of engineering graphics giesecke frederick e - Oct 07 2022

web jan 1 1993 frederick ernest giesecke

technical drawing frederick ernest giesecke google books - Jul 04 2022

web frederick ernest giesecke prentice hall pearson education 2003 mechanical drawing 816 pages for courses in engineering graphics technical drawing and drafting technical sketching this authoritative text dominates the market by offering the best coverage of basic graphics principles and an unmatched set of fully machinable

engineering graphics frederick giesecke travel kitapları - Jul 16 2023

web engineering graphics yazar frederick giesecke alva mitchell henry spencer ivan hill john dygdon james novak robert loving yayınevleri pearson education limited kitap formatı ciltsiz İnce kapak