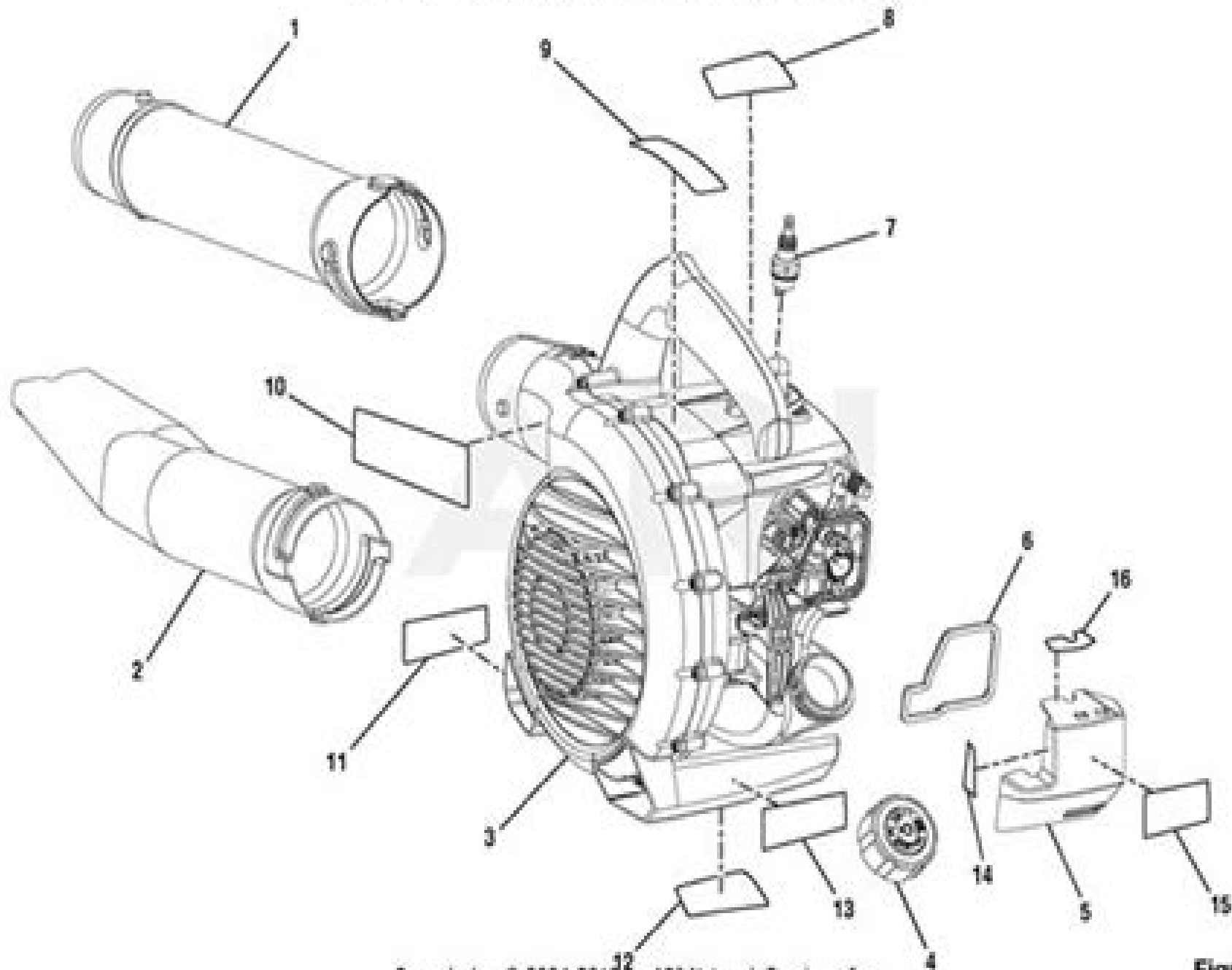


HOMELITE 26cc BLOWER - MODEL NUMBER UT09520



# Homelite Blower Ut08934 Repair Manual

**ML Morrison**



## **Homelite Blower Ut08934 Repair Manual:**

This Captivating Realm of E-book Books: A Thorough Guide Revealing the Advantages of Kindle Books: A Realm of Convenience and Flexibility E-book books, with their inherent portability and ease of access, have liberated readers from the constraints of physical books. Gone are the days of lugging cumbersome novels or carefully searching for particular titles in bookstores. E-book devices, sleek and portable, effortlessly store an wide library of books, allowing readers to indulge in their preferred reads whenever, anywhere. Whether traveling on a busy train, lounging on a sun-kissed beach, or simply cozying up in bed, E-book books provide an exceptional level of ease. A Reading Universe Unfolded: Discovering the Wide Array of E-book Homelite Blower Ut08934 Repair Manual Homelite Blower Ut08934 Repair Manual The Kindle Store, a digital treasure trove of literary gems, boasts an extensive collection of books spanning varied genres, catering to every readers preference and choice. From captivating fiction and thought-provoking non-fiction to timeless classics and modern bestsellers, the E-book Store offers an exceptional variety of titles to explore. Whether looking for escape through immersive tales of imagination and exploration, diving into the depths of historical narratives, or expanding ones understanding with insightful works of science and philosophy, the Kindle Shop provides a doorway to a literary universe brimming with limitless possibilities. A Game-changing Factor in the Literary Landscape: The Lasting Impact of E-book Books Homelite Blower Ut08934 Repair Manual The advent of E-book books has undoubtedly reshaped the bookish landscape, introducing a model shift in the way books are published, distributed, and consumed. Traditional publication houses have embraced the online revolution, adapting their strategies to accommodate the growing demand for e-books. This has led to a rise in the availability of Kindle titles, ensuring that readers have access to a vast array of literary works at their fingertips. Moreover, E-book books have equalized access to books, breaking down geographical limits and offering readers worldwide with equal opportunities to engage with the written word. Regardless of their place or socioeconomic background, individuals can now immerse themselves in the intriguing world of literature, fostering a global community of readers. Conclusion: Embracing the Kindle Experience Homelite Blower Ut08934 Repair Manual E-book books Homelite Blower Ut08934 Repair Manual, with their inherent convenience, versatility, and wide array of titles, have undoubtedly transformed the way we experience literature. They offer readers the liberty to discover the boundless realm of written expression, anytime, anywhere. As we continue to navigate the ever-evolving digital landscape, Kindle books stand as testament to the persistent power of storytelling, ensuring that the joy of reading remains accessible to all.

<http://www.armchairempire.com/results/scholarship/fetch.php/Introducing%20Character%20Animation%20With%20Blender.pdf>

## **Table of Contents Homelite Blower Ut08934 Repair Manual**

1. Understanding the eBook Homelite Blower Ut08934 Repair Manual
  - The Rise of Digital Reading Homelite Blower Ut08934 Repair Manual
  - Advantages of eBooks Over Traditional Books
2. Identifying Homelite Blower Ut08934 Repair Manual
  - Exploring Different Genres
  - Considering Fiction vs. Non-Fiction
  - Determining Your Reading Goals
3. Choosing the Right eBook Platform
  - Popular eBook Platforms
  - Features to Look for in an Homelite Blower Ut08934 Repair Manual
  - User-Friendly Interface
4. Exploring eBook Recommendations from Homelite Blower Ut08934 Repair Manual
  - Personalized Recommendations
  - Homelite Blower Ut08934 Repair Manual User Reviews and Ratings
  - Homelite Blower Ut08934 Repair Manual and Bestseller Lists
5. Accessing Homelite Blower Ut08934 Repair Manual Free and Paid eBooks
  - Homelite Blower Ut08934 Repair Manual Public Domain eBooks
  - Homelite Blower Ut08934 Repair Manual eBook Subscription Services
  - Homelite Blower Ut08934 Repair Manual Budget-Friendly Options
6. Navigating Homelite Blower Ut08934 Repair Manual eBook Formats
  - ePub, PDF, MOBI, and More
  - Homelite Blower Ut08934 Repair Manual Compatibility with Devices
  - Homelite Blower Ut08934 Repair Manual Enhanced eBook Features
7. Enhancing Your Reading Experience
  - Adjustable Fonts and Text Sizes of Homelite Blower Ut08934 Repair Manual
  - Highlighting and Note-Taking Homelite Blower Ut08934 Repair Manual
  - Interactive Elements Homelite Blower Ut08934 Repair Manual

8. Staying Engaged with Homelite Blower Ut08934 Repair Manual
  - Joining Online Reading Communities
  - Participating in Virtual Book Clubs
  - Following Authors and Publishers Homelite Blower Ut08934 Repair Manual
9. Balancing eBooks and Physical Books Homelite Blower Ut08934 Repair Manual
  - Benefits of a Digital Library
  - Creating a Diverse Reading Collection Homelite Blower Ut08934 Repair Manual
10. Overcoming Reading Challenges
  - Dealing with Digital Eye Strain
  - Minimizing Distractions
  - Managing Screen Time
11. Cultivating a Reading Routine Homelite Blower Ut08934 Repair Manual
  - Setting Reading Goals Homelite Blower Ut08934 Repair Manual
  - Carving Out Dedicated Reading Time
12. Sourcing Reliable Information of Homelite Blower Ut08934 Repair Manual
  - Fact-Checking eBook Content of Homelite Blower Ut08934 Repair Manual
  - Distinguishing Credible Sources
13. Promoting Lifelong Learning
  - Utilizing eBooks for Skill Development
  - Exploring Educational eBooks
14. Embracing eBook Trends
  - Integration of Multimedia Elements
  - Interactive and Gamified eBooks

### **Homelite Blower Ut08934 Repair Manual Introduction**

Homelite Blower Ut08934 Repair Manual Offers over 60,000 free eBooks, including many classics that are in the public domain. Open Library: Provides access to over 1 million free eBooks, including classic literature and contemporary works. Homelite Blower Ut08934 Repair Manual Offers a vast collection of books, some of which are available for free as PDF downloads, particularly older books in the public domain. Homelite Blower Ut08934 Repair Manual : This website hosts a vast collection of scientific articles, books, and textbooks. While it operates in a legal gray area due to copyright issues, its a

popular resource for finding various publications. Internet Archive for Homelite Blower Ut08934 Repair Manual : Has an extensive collection of digital content, including books, articles, videos, and more. It has a massive library of free downloadable books. Free-eBooks Homelite Blower Ut08934 Repair Manual Offers a diverse range of free eBooks across various genres. Homelite Blower Ut08934 Repair Manual Focuses mainly on educational books, textbooks, and business books. It offers free PDF downloads for educational purposes. Homelite Blower Ut08934 Repair Manual Provides a large selection of free eBooks in different genres, which are available for download in various formats, including PDF. Finding specific Homelite Blower Ut08934 Repair Manual, especially related to Homelite Blower Ut08934 Repair Manual, might be challenging as they're often artistic creations rather than practical blueprints. However, you can explore the following steps to search for or create your own Online Searches: Look for websites, forums, or blogs dedicated to Homelite Blower Ut08934 Repair Manual, Sometimes enthusiasts share their designs or concepts in PDF format. Books and Magazines Some Homelite Blower Ut08934 Repair Manual books or magazines might include. Look for these in online stores or libraries. Remember that while Homelite Blower Ut08934 Repair Manual, sharing copyrighted material without permission is not legal. Always ensure you're either creating your own or obtaining them from legitimate sources that allow sharing and downloading. Library Check if your local library offers eBook lending services. Many libraries have digital catalogs where you can borrow Homelite Blower Ut08934 Repair Manual eBooks for free, including popular titles. Online Retailers: Websites like Amazon, Google Books, or Apple Books often sell eBooks. Sometimes, authors or publishers offer promotions or free periods for certain books. Authors Website Occasionally, authors provide excerpts or short stories for free on their websites. While this might not be the Homelite Blower Ut08934 Repair Manual full book, it can give you a taste of the authors writing style. Subscription Services Platforms like Kindle Unlimited or Scribd offer subscription-based access to a wide range of Homelite Blower Ut08934 Repair Manual eBooks, including some popular titles.

## **FAQs About Homelite Blower Ut08934 Repair Manual Books**

**What is a Homelite Blower Ut08934 Repair Manual PDF?** A PDF (Portable Document Format) is a file format developed by Adobe that preserves the layout and formatting of a document, regardless of the software, hardware, or operating system used to view or print it. **How do I create a Homelite Blower Ut08934 Repair Manual PDF?** There are several ways to create a PDF: Use software like Adobe Acrobat, Microsoft Word, or Google Docs, which often have built-in PDF creation tools. Print to PDF: Many applications and operating systems have a "Print to PDF" option that allows you to save a document as a PDF file instead of printing it on paper. Online converters: There are various online tools that can convert different file types to PDF. **How do I edit a Homelite Blower Ut08934 Repair Manual PDF?** Editing a PDF can be done with software

like Adobe Acrobat, which allows direct editing of text, images, and other elements within the PDF. Some free tools, like PDFescape or Smallpdf, also offer basic editing capabilities. **How do I convert a Homelite Blower Ut08934 Repair Manual PDF to another file format?** There are multiple ways to convert a PDF to another format: Use online converters like Smallpdf, Zamzar, or Adobe Acrobats export feature to convert PDFs to formats like Word, Excel, JPEG, etc. Software like Adobe Acrobat, Microsoft Word, or other PDF editors may have options to export or save PDFs in different formats. **How do I password-protect a Homelite Blower Ut08934 Repair Manual PDF?** Most PDF editing software allows you to add password protection. In Adobe Acrobat, for instance, you can go to "File" -> "Properties" -> "Security" to set a password to restrict access or editing capabilities. Are there any free alternatives to Adobe Acrobat for working with PDFs? Yes, there are many free alternatives for working with PDFs, such as: LibreOffice: Offers PDF editing features. PDFsam: Allows splitting, merging, and editing PDFs. Foxit Reader: Provides basic PDF viewing and editing capabilities. How do I compress a PDF file? You can use online tools like Smallpdf, ILovePDF, or desktop software like Adobe Acrobat to compress PDF files without significant quality loss. Compression reduces the file size, making it easier to share and download. Can I fill out forms in a PDF file? Yes, most PDF viewers/editors like Adobe Acrobat, Preview (on Mac), or various online tools allow you to fill out forms in PDF files by selecting text fields and entering information. Are there any restrictions when working with PDFs? Some PDFs might have restrictions set by their creator, such as password protection, editing restrictions, or print restrictions. Breaking these restrictions might require specific software or tools, which may or may not be legal depending on the circumstances and local laws.

### **Find Homelite Blower Ut08934 Repair Manual :**

*introducing character animation with blender*

*intravenous therapy test questions*

[intro to biology final exam](#)

**into the shadows eleulinds crown book one**

[international survey of family law 2015](#)

[internetworking with tcp ip solution manual](#)

[international harvester h manual](#)

[international truck 4300 rear spring repair manual](#)

**international operators manual 584**

[international farmall td 18a crawler dsl wbosch dsl pump service manual](#)

*international review of cell and molecular biology volume 321*



**intimacies intimacies**

~~international harvester farmall tractor 404 manuals~~

~~intersectionality and social change research in social movements conflicts and change~~

~~international economics by pugel thomas~~

**Homelite Blower Ut08934 Repair Manual :**

**kitap tanıtımları book reviews dergipark** - Mar 01 2022

web 102 kitap tanıtımları book reviews example to the role and place of religion in the international relations of the muslim world and the middle east where to give some examples states are ruled by vali e faghihs kings are at the same time leaders of global networks of the cause foreign ministers write about the believer s divine responsibility

**dieter roth reykjavík slides 31 035 every view of a city** - Aug 18 2023

web featuring 31 035 slides shown simultaneously on multiple projectors dieter roth s 1930 98 reykjav k slides was inspired by the distinctive character of icelandic architecture and documents every building in the capital

dieter roth reykjavík slides 31 035 every view of a city - May 15 2023

web buy dieter roth reykjavík slides 31 035 every view of a city paperback book by dieter roth from as low as 15

dieter roth reykjavik slides 31 035 every view of a city - Sep 19 2023

web video of the current exhibition reykjavik slides 31 035 every view of a city at hauser wirth london savile row north gallery 17 march 30 april 2011

dieter roth reykjavík slides 31 035 every view of a city - Jan 11 2023

web featuring 31 035 slides shown simultaneously on multiple projectors dieter roth s 1930 98 reykjavík slides was inspired by the distinctive character of icelandic architecture and documents every building in the capital

**dieter roth reykjav slides 31 035 every view of a ci** - Aug 06 2022

web dieter roth reykjav slides 31 035 every view of a city by dieter roth dieter roth 0 00 0

*dieter roth reykjav k slides 31 035 every view of a city by* - Sep 07 2022

web dieter roth reykjavík slides 31 035 walmart may 20th 2020 free 2 day shipping on qualified orders over 35 buy dieter roth reykjavík slides 31 035 every view of a city at walmart khoedesong

*dieter roth reykjav k slides 31 035 every view of* - May 03 2022

web dieter roth reykjav k slides 31 035 every view of downloaded from zapmap nissan co uk by guest julissa jaeden

**dieter roth reykjavik slides 31 035 every view of a city** - Mar 13 2023

web featuring 31 035 slides shown simultaneously on multiple projectors dieter roth s 1930 98 reykjav k slides was inspired

by the distinctive character of icelandic architecture and documents every building in the capital created with the assistance of pl magn sson and the artist s two sons bj rn and karl the work is a testament to

**dieter roth reykjavík slides 31 035 every view of a city by** - Apr 14 2023

web buy dieter roth reykjavík slides 31 035 every view of a city by roth dieter online on amazon ae at best prices fast and free shipping free returns cash on delivery available on eligible purchase

*dieter roth reykjav k slides 31 035 every view of ulises* - Apr 02 2022

web for their favorite books subsequent to this dieter roth reykjav k slides 31 035 every view of but end going on in harmful downloads rather than enjoying a fine book bearing in mind a cup of coffee in the afternoon otherwise they juggled subsequently some harmful virus inside their computer dieter roth reykjav k slides 31 035 every view of

dieter roth reykjavik slides 31 035 every view of a city - Jun 16 2023

web featuring 31 035 slides shown simultaneously on multiple projectors dieter roth s 1930 98 reykjav k slides was inspired by the distinctive character of icelandic architecture and documents every building in the capital

**dieter roth reykjavík slides 31 035 every view of a city** - Dec 10 2022

web buy dieter roth reykjavík slides 31 035 every view of a city paperback at walmart com

dieter roth reykjav slides 31 035 every view of a city by - Oct 08 2022

web jul 6 2015 dieter roth reykjav slides 31 035 every view of a city by dieter roth 2015 07 06 on amazon com free shipping on qualifying offers slides 31 035 every view of a city by dieter roth 2015 07 06

*kategori joe roth un yapımcısı olduğu filmler vikipedi* - Jan 31 2022

web sayfa en son 19 29 31 temmuz 2021 tarihinde değiştirildi metin creative commons atıf benzerpaylaşım lisansı altındadır ek koşullar uygulanabilir bu siteyi kullanarak kullanım Şartlarını ve gizlilik politikasını kabul etmiş olursunuz

*dieter roth isimsiz tablosu 1979 tarihli istanbul sanat evi* - Jun 04 2022

web dieter roth isimsiz tablosu tarih 1979 teknik kağıt üzeri suluboya ve pastel orijinal boyut 86 4 x 58 4 cm yer museum of modern art new york bu tab

**dieter roth reykjavik slides 31 035 every view hauser** - Jul 17 2023

web dieter roth reykjavik slides 31 035 every view hauser wirth en english deutsch français espagnol português italiano român nederlands latina dansk svenska norsk magyar bahasa indonesia türkçe suomi latvian lithuanian česk

**dieter roth biyografisi ve eser örnekleri arşivi istanbul sanat evi** - Jul 05 2022

web dieter roth dieter roth ile ilgili biyografi ve eser örneklerinin detaylı bilgilerini boyut teknik bulunduğu müze vb içeren sayfaları inceleyebilirsiniz sayfadaki görsellere tıklayarak her eserin büyük boyutlu görselini izleyebilirsiniz ayrıca istanbul sanat evi güvencesi ile sanatçıya ait eserlerin kanvas baskılarını

**dieter roth reykjavik slides 31 035 by dieter roth** - Feb 12 2023

web may 23 2017 buy dieter roth reykjavik slides 31 035 by dieter roth from waterstones today click and collect from your local waterstones or get free uk delivery on orders over 25

**dieter roth reykjavik slides 31 035 anglais every view** - Nov 09 2022

web featuring 31 035 slides shown simultaneously on multiple projectors dieter roth s 1930 98 reykjavík slides was inspired by the distinctive character of icelandic architecture and documents every building in the capital created with the assistance of pál magnússon and the artist s two sons björn and karl the work is a testament to the

nuclear physics solved examples askiitians - Mar 26 2022

web jul 13 2022 front nucl eng 13 july 2022 volume 1 2022 doi org 10 3389 fnuen 2022 945270 grand challenges in nuclear engineering

**frontiers grand challenges in nuclear engineering** - Feb 22 2022

web sep 9 2014 by jim lucas august 31 2023 nuclear engineering deals with harnessing the energy released from nuclear reactions nuclear engineers work in power

ppi nuclear engineering solved problems 2nd edition - Apr 07 2023

web 101 solved nuclear engineering problems is widely regarded as the best study resource available for nuclear pe exam candidates 101 exam like problems cover all the subject

**nuclear engineering power safety research** - Jan 04 2023

web oct 16 2019 from clean electricity generation to accessing water here are 5 problems you didn t know nuclear could solve 1 electricity emissions nuclear produces clean

101 solved nuclear engineering problems google books - Mar 06 2023

web nuclear engineering solved problems will help you identify important nuclear engineering concepts as defined by the ncees nuclear pe exam specifications

exams engineering of nuclear systems nuclear science and - Jun 09 2023

web foundations in applied nuclear engineering analysis 2nd edition covers a fast paced one semester course to address concepts of modeling in mathematics engineering

**101 solved nuclear engineering problems softcover abebooks** - Aug 31 2022

web nuclear energy a solution to the biggest problems how nuclear power could be the solution to decarbonizing the energy grid without compromising our energy demands

**nuclear engineering solved problems ppi ppi2pass com** - Sep 12 2023

web jun 8 2012 ppi a kaplan company jun 8 2012 technology engineering 168 pages comprehensive coverage of nuclear

engineering problem solving nuclear

**op ed nuclear energy a solution to the biggest problems** - Jul 30 2022

web buy nuclear engineering solved problems 2 by camara john a isbn 9781591263852 from amazon s book store everyday low prices and free delivery on

*nuclear engineering solved problems paperback 8 jun 2012* - Jun 28 2022

web this mass at nuclear density would make a cube 1 0 m on a side solution displaystyle m \rho v \rho 3 a \frac m \rho 1 3 \frac 2 3 10 17 \text{ kg } 1000\text{kg m } 3 \frac 1 3 61 10 3\text{m } 61

*5 problems you didn t know nuclear could solve* - Dec 03 2022

web the comprehensive coverage of nuclear engineering problem solving will sharpen your understanding of nuclear energy and engineering whether you are a candidate for the

[nuclear engineering solved problems pdf](#) - Oct 01 2022

web 101 solved nuclear engineering problems is widely regarded as the best study resource available for nuclear pe exam candidates 101 exam like problems cover all the subject

**ppi nuclear engineering solved problems 2nd edition abebooks** - Feb 05 2023

web oct 5 2023 nuclear engineering the field of engineering that deals with the science and application of nuclear and radiation processes these processes include the release

*ppi nuclear engineering solved problems 2nd edition google* - Aug 11 2023

web 114 00 this 6 month subscription is the ideal choice if you are taking an exam in the somewhat distant future and want to structure your study process ppi learning hub is

*10 e nuclear physics exercises physics libretxts* - Oct 13 2023

web this book s comprehensive coverage of nuclear engineering problem solving will sharpen your understanding of nuclear energy and engineering whether you are a candidate for

**quora a place to share knowledge and better understand the world** - Nov 21 2021

**pass the pe nuclear exam study materials ppi** - Jul 10 2023

web exams engineering of nuclear systems nuclear science and engineering mit opencourseware exams the questions and solutions for the mid term quiz and the final

**what is nuclear engineering live science** - Jan 24 2022

web jul 18 2023 transportation engineering 4 edurank org is an independent metric based ranking of 14 131 universities from 183 countries we utilize the world s largest scholarly

**31 e radioactivity and nuclear physics exercises** - May 28 2022

web write a nuclear reaction for each step in the formation of pb 82208 from th 90228 which proceeds by a series of decay reactions involving the step wise emission of  $\alpha$   $\alpha$   $\alpha$   $\beta$

[ppi nuclear engineering solved problems 2nd edition](#) - Nov 02 2022

web nuclear engineering solved problems vacuum engineering calculations formulas and solved exercises dec 14 2020 this book was written with two main objectives in mind

**foundations in applied nuclear engineering analysis** - May 08 2023

web jun 8 2012 ppi nuclear engineering solved problems 2nd edition comprehensive coverage of nuclear engineering problem solving for the ncees pe nuclear exam

[3 1 1 practice problems nuclear chemistry and radioactive](#) - Apr 26 2022

web askiitians offers solved problems on nuclear physics including various previous year questions for iit jee and other engineering exams click to download

[singapore s best nuclear engineering universities rankings](#) - Dec 23 2021

web we would like to show you a description here but the site won t allow us

**morning noon night a way of living by soho house goodreads** - Aug 11 2023

web apr 1 2017 morning noon night a way of living soho house 3 98 40 ratings1 review this newest book from soho house charts the soho house journey in design food and drink from the perfect burger to the most inspiring art from afternoon tea to how to light a

[morning noon night a way of living by soho house alibris](#) - Jun 28 2022

web morning noon night a way of living from soho house follows the bestselling eat drink nap i ve been astonished by the number of people who went out and bought the first book which really set out to explain our founding principles

**morning noon night a way of living amazon com au** - Apr 07 2023

web morning noon night a way of living from soho house follows the bestselling eat drink nap i ve been astonished by the number of people who went out and bought the first book which really set out to explain our founding

**morning noon night a way of living barnes noble** - Nov 02 2022

web apr 1 2017 this newest book from soho house charts the soho house journey in design food and drink from the perfect burger to the most inspiring art from afternoon tea to how to light a room developing themes from their first book eat drink nap soho house shares hints and tips to get the

[morning noon night a way of living yumpu](#) - Mar 26 2022

web apr 27 2022 morning noon night a way of living this newest book from soho house charts the soho house journey in

design food and drink from the perfect burger to the most inspiring art from afternoon tea to how to light a room developing themes from their first book eat drink nap soho house shares hints and tips to get the best out of

[morning noon night a way of living amazon co uk](#) - May 08 2023

web key elements of the soho house way of living are illustrated and broken down into helpful features like how to make a tasty vegan breakfast or creating the perfect bedroom with plenty of inspirational new imagery along the way

**buy morning noon night a way of living book by soho h limited** - Feb 22 2022

web jan 24 2017 morning noon night a way of living from soho house follows the bestselling eat drink nap i ve been astonished by the number of people who went out and bought the first book which really set out to explain our founding principles says soho house founder nick jones

*morning noon night a way of living amazon com* - Sep 12 2023

web apr 1 2017 morning noon night a way of living hardcover april 1 2017 this newest book from soho house charts the soho house journey in design food and drink from the perfect burger to the most inspiring art from afternoon tea to how to light a room

*morning noon night a way of living google books* - Jul 10 2023

web nov 28 2016 morning noon night a way of living from soho house follows the bestselling eat drink nap i ve been astonished by the number of people who went out and bought the first book which really

**morning noon night penguin books australia** - Jan 04 2023

web nov 28 2016 morning noon night a way of living from soho house follows the bestselling eat drink nap readers love morning noon night a beautiful coffee table book fantastic furniture fabulous recipes gorgeous photos to inspire the home as well as recipes a great buy give this as a house warming gift to anyone who has taste

**books kinokuniya morning noon night a way of living** - Mar 06 2023

web morning noon night a way of living from soho house follows the bestselling eat drink nap i ve been astonished by the number of people who went out and bought the first book which really set out to explain our founding

*morning noon night a way of living wordery com* - Apr 26 2022

web dec 8 2016 product description readers love morning noon night a beautiful coffee table book fantastic furniture fabulous recipes gorgeous photos to inspire the home as well as recipes a great buy give this as a house warming gift to anyone who has taste i bought both of the soho house books i love them

[morning noon night a way of living hardcover amazon](#) - Oct 13 2023

web key elements of the soho house way of living are illustrated and broken down into helpful features like how to make a tasty vegan breakfast or creating the perfect bedroom with plenty of inspirational new imagery along the way interior design

food and drink take centre stage and with more than 20 years of design experience behind them soho

**morning noon night a way of living written by jodie harrison** - Jun 09 2023

web morning noon night a way of living from soho house follows the bestselling eat drink nap i ve been astonished by the number of people who went out and bought the first book which really set out to explain our founding

**morning noon night a way of living bookshop** - Oct 01 2022

web readers love morning noon night key elements of the soho house way of living are illustrated and broken down into helpful features like how to make a tasty vegan breakfast or creating the perfect bedroom with plenty of inspirational new imagery along the way interior design

**morning noon night a way of living hardcover abebooks** - Aug 31 2022

web morning noon night a way of living by soho house uk limited isbn 10 1848094787 isbn 13 9781848094789 preface publishing 2016 hardcover

**morning noon night a way of living by soho house booktopia** - Feb 05 2023

web nov 28 2016 morning noon night a way of living from soho house follows the bestselling eat drink nap i ve been astonished by the number of people who went out and bought the first book which really set out to explain our founding principles says soho house founder nick jones

**morning noon night a way of living abebooks** - Dec 03 2022

web morning noon night a way of living by soho house isbn 10 1848094787 isbn 13 9781848094789 preface publishing 2017 hardcover

morning noon night a way of living thriftbooks - May 28 2022

web buy a cheap copy of morning noon night a way of living book by soho house this newest book from soho house charts the soho house journey in design food and drink from the perfect burger to the most inspiring art from afternoon tea to free shipping on all orders over 15

**morning noon night by soho house uk limited waterstones** - Jul 30 2022

web dec 8 2016 key elements of the soho house way of living are illustrated and broken down into helpful features like how to make a tasty vegan breakfast or creating the perfect bedroom with plenty of inspirational new imagery along the way