

2. Remove retaining ring securing front camshaft. Discard retaining ring.
3. Remove spacer from front camshaft. Do not mix front and rear camshaft spacers. Front spacer is 0.100 in. (2.54 mm) thick.
4. Using a colored marker, mark one of the links of the secondary cam chain. Maintaining the original direction of rotation during assembly may prolong service life.
5. Slide camshafts and secondary cam chain out of cam support plate.
6. Remove secondary cam chain from cam sprockets.

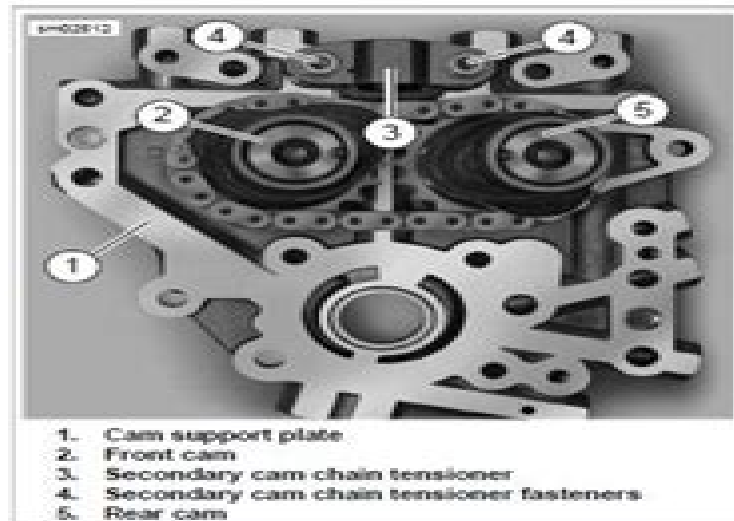


Figure 3-96. Camshafts

### Installation

1. See [Figure 3-97](#). Align timing marks on teeth of secondary cam sprockets.

#### NOTE

Do not mix camshafts during installation. The rear camshaft, which can be identified by the splined shaft, must go into the hole at the rear of the cam support plate.

2. Place the secondary cam chain around the sprockets of both the front and rear camshafts while keeping the timing marks (3) in alignment. To maintain the original direction of rotation, be sure that the mark placed on the chain link during disassembly is visible during installation.

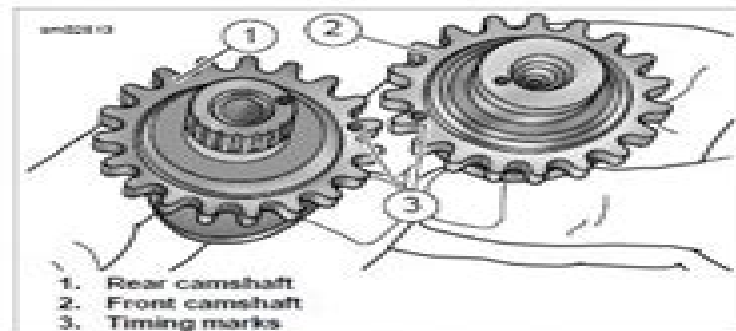


Figure 3-97. Camshaft Timing Marks

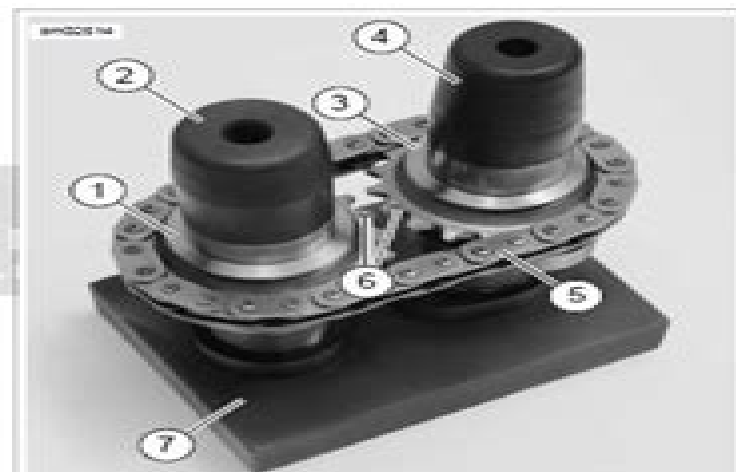


Figure 3-98. Camshaft Assembly Tool

1. Rear camshaft
  2. Small guide
  3. Front camshaft
  4. Large guide
  5. Cam chain
  6. Timing marks
  7. Assembly tool base
3. See [Figure 3-98](#). Obtain CAMSHAFT ASSEMBLY TOOL (Part No. HD-47956). Place crankcase side of camshaft/cam chain assembly into assembly tool base (7) while maintaining cam timing mark (6) alignment.
  4. Place small guide (2) on rear camshaft (1). Place large guide (4) on front camshaft (3).

# Harley Davidson Flstsb Service Manual

**SJ Ball**



## **Harley Davidson Flstsb Service Manual:**

Uncover the mysteries within is enigmatic creation, Discover the Intrigue in **Harley Davidson Flstsb Service Manual** . This downloadable ebook, shrouded in suspense, is available in a PDF format ( \*). Dive into a world of uncertainty and anticipation. Download now to unravel the secrets hidden within the pages.

<http://www.armchairempire.com/book/book-search/index.jsp/Hyosung%20Gv250%20Ei%20Gt250r%20Gt250%20Ei%20Workshop%20Service%20Repair%20Manual.pdf>

## **Table of Contents Harley Davidson Flstsb Service Manual**

1. Understanding the eBook Harley Davidson Flstsb Service Manual
  - The Rise of Digital Reading Harley Davidson Flstsb Service Manual
  - Advantages of eBooks Over Traditional Books
2. Identifying Harley Davidson Flstsb Service Manual
  - Exploring Different Genres
  - Considering Fiction vs. Non-Fiction
  - Determining Your Reading Goals
3. Choosing the Right eBook Platform
  - Popular eBook Platforms
  - Features to Look for in an Harley Davidson Flstsb Service Manual
  - User-Friendly Interface
4. Exploring eBook Recommendations from Harley Davidson Flstsb Service Manual
  - Personalized Recommendations
  - Harley Davidson Flstsb Service Manual User Reviews and Ratings
  - Harley Davidson Flstsb Service Manual and Bestseller Lists
5. Accessing Harley Davidson Flstsb Service Manual Free and Paid eBooks
  - Harley Davidson Flstsb Service Manual Public Domain eBooks
  - Harley Davidson Flstsb Service Manual eBook Subscription Services
  - Harley Davidson Flstsb Service Manual Budget-Friendly Options

6. Navigating Harley Davidson Flstsb Service Manual eBook Formats
  - ePub, PDF, MOBI, and More
  - Harley Davidson Flstsb Service Manual Compatibility with Devices
  - Harley Davidson Flstsb Service Manual Enhanced eBook Features
7. Enhancing Your Reading Experience
  - Adjustable Fonts and Text Sizes of Harley Davidson Flstsb Service Manual
  - Highlighting and Note-Taking Harley Davidson Flstsb Service Manual
  - Interactive Elements Harley Davidson Flstsb Service Manual
8. Staying Engaged with Harley Davidson Flstsb Service Manual
  - Joining Online Reading Communities
  - Participating in Virtual Book Clubs
  - Following Authors and Publishers Harley Davidson Flstsb Service Manual
9. Balancing eBooks and Physical Books Harley Davidson Flstsb Service Manual
  - Benefits of a Digital Library
  - Creating a Diverse Reading Collection Harley Davidson Flstsb Service Manual
10. Overcoming Reading Challenges
  - Dealing with Digital Eye Strain
  - Minimizing Distractions
  - Managing Screen Time
11. Cultivating a Reading Routine Harley Davidson Flstsb Service Manual
  - Setting Reading Goals Harley Davidson Flstsb Service Manual
  - Carving Out Dedicated Reading Time
12. Sourcing Reliable Information of Harley Davidson Flstsb Service Manual
  - Fact-Checking eBook Content of Harley Davidson Flstsb Service Manual
  - Distinguishing Credible Sources
13. Promoting Lifelong Learning
  - Utilizing eBooks for Skill Development
  - Exploring Educational eBooks
14. Embracing eBook Trends
  - Integration of Multimedia Elements

- Interactive and Gamified eBooks

## **Harley Davidson Flstsb Service Manual Introduction**

In this digital age, the convenience of accessing information at our fingertips has become a necessity. Whether its research papers, eBooks, or user manuals, PDF files have become the preferred format for sharing and reading documents. However, the cost associated with purchasing PDF files can sometimes be a barrier for many individuals and organizations. Thankfully, there are numerous websites and platforms that allow users to download free PDF files legally. In this article, we will explore some of the best platforms to download free PDFs. One of the most popular platforms to download free PDF files is Project Gutenberg. This online library offers over 60,000 free eBooks that are in the public domain. From classic literature to historical documents, Project Gutenberg provides a wide range of PDF files that can be downloaded and enjoyed on various devices. The website is user-friendly and allows users to search for specific titles or browse through different categories. Another reliable platform for downloading Harley Davidson Flstsb Service Manual free PDF files is Open Library. With its vast collection of over 1 million eBooks, Open Library has something for every reader. The website offers a seamless experience by providing options to borrow or download PDF files. Users simply need to create a free account to access this treasure trove of knowledge. Open Library also allows users to contribute by uploading and sharing their own PDF files, making it a collaborative platform for book enthusiasts. For those interested in academic resources, there are websites dedicated to providing free PDFs of research papers and scientific articles. One such website is Academia.edu, which allows researchers and scholars to share their work with a global audience. Users can download PDF files of research papers, theses, and dissertations covering a wide range of subjects. Academia.edu also provides a platform for discussions and networking within the academic community. When it comes to downloading Harley Davidson Flstsb Service Manual free PDF files of magazines, brochures, and catalogs, Issuu is a popular choice. This digital publishing platform hosts a vast collection of publications from around the world. Users can search for specific titles or explore various categories and genres. Issuu offers a seamless reading experience with its user-friendly interface and allows users to download PDF files for offline reading. Apart from dedicated platforms, search engines also play a crucial role in finding free PDF files. Google, for instance, has an advanced search feature that allows users to filter results by file type. By specifying the file type as "PDF," users can find websites that offer free PDF downloads on a specific topic. While downloading Harley Davidson Flstsb Service Manual free PDF files is convenient, its important to note that copyright laws must be respected. Always ensure that the PDF files you download are legally available for free. Many authors and publishers voluntarily provide free PDF versions of their work, but its essential to be cautious and verify the authenticity of the source before downloading Harley Davidson Flstsb Service Manual. In conclusion, the internet offers numerous platforms and websites that allow users to download free PDF

files legally. Whether its classic literature, research papers, or magazines, there is something for everyone. The platforms mentioned in this article, such as Project Gutenberg, Open Library, Academia.edu, and Issuu, provide access to a vast collection of PDF files. However, users should always be cautious and verify the legality of the source before downloading Harley Davidson Flstsb Service Manual any PDF files. With these platforms, the world of PDF downloads is just a click away.

## **FAQs About Harley Davidson Flstsb Service Manual Books**

**What is a Harley Davidson Flstsb Service Manual PDF?** A PDF (Portable Document Format) is a file format developed by Adobe that preserves the layout and formatting of a document, regardless of the software, hardware, or operating system used to view or print it. **How do I create a Harley Davidson Flstsb Service Manual PDF?** There are several ways to create a PDF: Use software like Adobe Acrobat, Microsoft Word, or Google Docs, which often have built-in PDF creation tools. Print to PDF: Many applications and operating systems have a "Print to PDF" option that allows you to save a document as a PDF file instead of printing it on paper. Online converters: There are various online tools that can convert different file types to PDF. **How do I edit a Harley Davidson Flstsb Service Manual PDF?** Editing a PDF can be done with software like Adobe Acrobat, which allows direct editing of text, images, and other elements within the PDF. Some free tools, like PDFescape or Smallpdf, also offer basic editing capabilities. **How do I convert a Harley Davidson Flstsb Service Manual PDF to another file format?** There are multiple ways to convert a PDF to another format: Use online converters like Smallpdf, Zamzar, or Adobe Acrobats export feature to convert PDFs to formats like Word, Excel, JPEG, etc. Software like Adobe Acrobat, Microsoft Word, or other PDF editors may have options to export or save PDFs in different formats. **How do I password-protect a Harley Davidson Flstsb Service Manual PDF?** Most PDF editing software allows you to add password protection. In Adobe Acrobat, for instance, you can go to "File" -> "Properties" -> "Security" to set a password to restrict access or editing capabilities. Are there any free alternatives to Adobe Acrobat for working with PDFs? Yes, there are many free alternatives for working with PDFs, such as: LibreOffice: Offers PDF editing features. PDFsam: Allows splitting, merging, and editing PDFs. Foxit Reader: Provides basic PDF viewing and editing capabilities. How do I compress a PDF file? You can use online tools like Smallpdf, ILovePDF, or desktop software like Adobe Acrobat to compress PDF files without significant quality loss. Compression reduces the file size, making it easier to share and download. Can I fill out forms in a PDF file? Yes, most PDF viewers/editors like Adobe Acrobat, Preview (on Mac), or various online tools allow you to fill out forms in PDF files by selecting text fields and entering information. Are there any restrictions when working with PDFs? Some PDFs might have restrictions set by their creator, such as password protection, editing restrictions, or print restrictions. Breaking these restrictions might require specific software or tools, which may or may not be legal depending on

the circumstances and local laws.

**Find Harley Davidson Flstsb Service Manual :**

**hyosung gv250 ei gt250r gt250 ei workshop service repair manual**

**husky generator 5000 manual**

husqvarna yth24k48 manual

**hydro flame furnace manual**

**husky hu5000 operation manual**

*hvac pipe guide*

hvac parts manual

*huskee viper manual*

*hyperspectral remote sensing of vegetation*

~~hydraulic engineering by roberon solution manual~~

husqvarna 250 rx manual

*hyper a personal history of adhd*

~~husqvarna 2015-smr-570 service manual~~

*hva betyr kommunikasjon*

**hyd mech s 23 parts manual**

**Harley Davidson Flstsb Service Manual :**

test bank for intermediate accounting 15th edition kieso issuu - Jan 25 2022

**test bank for intermediate accounting 15th edition by donald e** - Oct 02 2022

web description test bank for intermediate accounting 15th edition kieso isbn 10 1118147294 isbn 13 9781118147290

product details title intermediate accounting

*test bank for intermediate accounting 15th edition* - Feb 23 2022

web 15 7 test bank for intermediate accounting ifrs edition 2e when preference shares share ratably with the ordinary shareholders in any profit distributions beyond the

**intermediate accounting 15th edition kieso test bank** - Sep 13 2023



web classifications used in the balance sheet would also be used in the income statement and the statement of cash flows  
intermediate accounting 15th edition kieso test bank 1

*intermediate accounting donald e kieso 15th edition test bank 1* - Mar 27 2022

web may 30 2018 test bank for intermediate accounting 15th edition kieso weygandt warfield test bank for intermediate accounting 15th edition kieso weygandt

intermediate accounting 15th edition test bank - Sep 01 2022

web intermediate accounting kieso 15th edition test bank digital instant download

**intermediate accounting 15th edition kieso test bank** - Apr 08 2023

web test bank for intermediate accounting 15th edition by donald e kieso isbn 978 1118985328 chapter 1 financial accounting and accounting

**test bank chapter 15 intermediate accounting 2 studocu** - Dec 24 2021

**intermediate accounting 15th edition by donald e kieso test** - Jan 05 2023

web description intermediate accounting 15th edition kieso test bank this is not the text book you are buying test bank for intermediate accounting 15th edition

**kieso intermediate accounting 15th edition solutions** - Mar 07 2023

web page contents instant delivery only testbank capital

**test bank for intermediate accounting 15th edition by donald e** - Feb 06 2023

web this is downloadable test bank for intermediate accounting 15th edition kieso weygandt warfield kieso weygandt and warfield s intermediate accounting

*test bank for intermediate accounting 15th edition by kieso* - Jul 11 2023

web kieso 15th edition test bank description intermediate accounting by donald kieso jerry weygandt and terry warfield has always been and continues to be the gold

*kieso 15e testbank ch15 chapter 15* - Oct 14 2023

web intermediate accounting 15th edition kieso test bank free download as pdf file pdf text file txt or read online for free test bank

*test bank for intermediate accounting 15th edition kieso issuu* - Apr 27 2022

web testbank23 provides instant download access to intermediate accounting 15th edition test bank for intermediate accounting 15th edition 9781118147290 1118147294

**test bank for intermediate accounting 15e kieso** - Jul 31 2022

web format downloadable zip file resource type test bank duration unlimited downloads delivery instant download to example com mon sat 8 00 18 00 sunday closed

*intermediate accounting 15th edition kieso test bank 1* - Aug 12 2023

web test bank for intermediate accounting 15th edition by kieso full download downloadlink org product test bank for intermediate accounting 15th edition by

*intermediate accounting kieso 15th edition test bank* - Jun 29 2022

web jul 31 2018 solutions manual for intermediate accounting 15th edition kieso weygandt warfield july 31 2018 test bank for abnormal child and adolescent psychology jean

*intermediate accounting 15th edition kieso test bank* - Nov 03 2022

web download your intermediate accounting 15th edition test bank today and get started on your next class our test banks are updated regularly

**intermediate accounting 15th edition kieso weygandt warfield** - Dec 04 2022

web test bank for intermediate accounting 15th edition by donald e kieso add your review digital item no waiting time instant download isbn 978 1118985328 in stock

**intermediate accounting kieso 15th edition test bank** - Jun 10 2023

web intermediate accounting 15th edition home browse by chapter browse by chapter browse by resource browse by resource respondus test bank requires winzip

*kieso weygandt warfield intermediate accounting 15th edition* - May 09 2023

web may 11 2018 browse short form content that s perfect for a quick read issuu store purchase your next favourite publication

**test bank for intermediate accounting 15th edition by donald e** - May 29 2022

web kieso weygandt and warfield s intermediate accounting continues to set the standard for intermediate accounting students and professionals in the field the fifteenth edition

**oxford university press online resource centre multiple** - Sep 12 2022

food and nutrient patterns chapter 2 food and nutrient structure chapter 3 food safety chapter 4 the physiology of nutrient digestion and absorption chapter 5 body size and composition chapter 6 energy balance and body weight regulation chapter 7 carbohydrate metabolism chapter 8 fat metabolism chapter 9

**expert questions and answers nutrition gov** - Apr 19 2023

digestion begins in the mouth when we chew and swallow and is completed in the small intestine digestion involves the mixing of food its movement through the digestive tract and the breakdown of food into smaller molecules the

*human diet digestion save my exams* - Jul 22 2023

egestion a small soluble food molecules move into the bloodstream small soluble food molecules cross the cell membrane of cells excretion of undigested or unabsorbed food through the anus b small soluble food molecules move into the bloodstream small soluble food molecules cross the cell membrane of cells

**the digestive system nutrition science and everyday** - Mar 18 2023

jun 3 2017 an overview of the digestive process the process of digestion includes five main activities ingestion mechanical digestion chemical digestion absorption and excretion the first of these processes ingestion refers to the entry of food into the gi tract through the mouth

the physiology of nutrient 4 digestion and absorption - Aug 11 2022

oup human nutrition first proof thomson digital 12 jan 2017 4 the physiology of nutrient digestion and absorption george grimble necessarily lead to complete malabsorption of a particu lar nutrient the digestive and absorptive capacity of the human intestine closely matches the metabolic mass of each individual just as it matches the

nutrition the digestive system chapter exam study com - Jan 16 2023

nutrition the digestive system chapter exam free practice test instructions choose your answer to the question and click continue to see how you did then click next question to answer the

*digesting food video life processes khan academy* - Feb 05 2022

voiceover one of the keys to understanding child nutrition is understanding what happens to the food our children eat once it s entered their mouths let s start by drawing a very basic model of digestion now the food our children eat can be broken down into three catergories and their categories of what we call macro nutrients

**nutrition digestion and excretion ks3 biology bbc bitesize** - Aug 23 2023

what is poo poo faeces is the waste that remains after food has been digested and its nutrients absorbed by the body modelling the digestive system try this experiment and recreate

water after meals does it disturb digestion mayo clinic - Mar 06 2022

may 25 2022 answer from michael f picco m d there s no concern that water thins down or weakens down dilute the digestive juices or interfere with digestion in fact drinking water during or after a meal helps how your body breaks down and processes food digestion water is vital for good health

**food and digestion quiz kscience** - Nov 14 2022

food and digestion quiz food and digestion quiz the 20 questions each have four possible answers choose the one that you think is the best by clicking on the button beside it use the ask a question button to move on click on the start button to begin the quiz

**ks3 unit 8a biology diet and digestion worksheets only nutrients** - May 08 2022

oct 10 2022 ks3 scheme of work and lessons for unit 8a biology diet and digestion new aimed for mid high ability but can be adapted for low ability 8aa nutrients lesson 1 food labelling lesson 2 food tests 8ac balanced diets lesson 3 balanced diets and malnutrition obesity lesson 4 deficiency diseases 8ad digestion lesson 5 digestive

6 4 protein digestion and absorption medicine libretexts - Jun 09 2022

aug 10 2020 mechanical digestion of protein begins in the mouth and continues in the stomach and small intestine chemical digestion of protein begins in the stomach and ends in the small intestine the body recycles amino acids to make more proteins

*digestion bbc bitesize* - Dec 15 2022

science biology jump to what is digestion digestion is the breaking down of the food we eat into other substances that our bodies can absorb and use there are mechanical and chemical

the digestive system in humans wjec test questions bbc - May 20 2023

revise the structures and function of the digestive system learn which chemicals can be used to indicate different types of food study balanced diets

*digestive system nutrition flashcards quizlet* - Sep 24 2023

study with quizlet and memorize flashcards containing terms like digestion anatomy gi tract accessory organs and more

3 3 digestion and absorption medicine libretexts - Apr 07 2022

jun 21 2022 the major organs of the digestive system include the mouth esophagus stomach small intestine and large intestine or colon there are four steps in the digestion process ingestion the mechanical and chemical breakdown of food nutrient absorption and elimination of indigestible food

the structure of the digestive system nutrition digestion and - Jun 21 2023

biology nutrition digestion and excretion key points the digestive system breaks down food into tiny particles which are absorbed into the blood these particles provide energy for the body

*physiology digestion statpearls ncbi bookshelf* - Feb 17 2023

sep 12 2022 digestion is a form of catabolism or breaking down of substances that involves two separate processes mechanical digestion and chemical digestion mechanical digestion involves physically breaking down food substances into smaller particles to more efficiently undergo chemical digestion

*digestion and absorption of nutrients nutrition for consumers* - Jul 10 2022

3 1 overview to survive your body must have a system for transforming food and drink into nutrients that it can absorb and use digestion begins when you see smell feel or taste foods the hormonal and nervous systems signal the gastrointestinal

tract that food is on the way muscles flex and digestive secretions flow

*your digestive system how it works niddk* - Oct 13 2022

working together nerves hormones bacteria blood and the organs of your digestive system digest the foods and liquids you eat or drink each day why is digestion important digestion is important because your body needs nutrients from food

**İstanbul da gezilecek yerler gezimanya** - Feb 15 2022

web İstanbul gezilecek yerler listemizde yer alan diğer tarihî yapı olan sultanahmet camii İstanbul un en önemli silüetlerinden biridir yapı 1609 16 yılları arasında sultan i ahmet

**les inta c grales bragelonne a les rats pdf 2023** - Jan 29 2023

web les inta c grales bragelonne a les rats pdf upload jason t williamson 1 1 downloaded from voto uncal edu br on september 3 2023 by jason t williamson les inta c grales

*les inta c grales bragelonne a les rats stephen j spignesi* - Jul 03 2023

web les inta c grales bragelonne a les rats les inta c grales bragelonne a les rats 2 downloaded from old restorativejustice org on 2022 01 27 by guest decade in nothing

*İstanbul da gezilecek en iyi 10 yer tripadvisor* - Apr 19 2022

web ayasofya ulu camii fatih in emaneti ayasofya cami manevi atmosferi ve büyüleyen bir yapısı var kesinlikle gidilmesi gereken bir yer 2 basilica cistern yeni haliyle eskisinden

**les inta c grales bragelonne a les rats pdf** - Dec 28 2022

web jun 23 2023 les inta c grales bragelonne a les rats pdf when somebody should go to the ebook stores search commencement by shop shelf by shelf it is truly

[les inta c grales bragelonne a les rats stephen j spignesi](#) - Mar 31 2023

web les inta c grales bragelonne a les rats thank you for reading les inta c grales bragelonne a les rats as you may know people have look numerous times for their

*İstanbul da gezi rotaları İstanbul da gez* - Mar 19 2022

web apr 24 2020 İstanbul da gezi rotaları by İstanbul da gez 24 nisan 2020 İstanbul da gezilecek en güzel yerleri müzeleri mekanları lezzetli durakları ve nice

[les inta c grales bragelonne a manitou 2023 lfe](#) - Oct 06 2023

web les inta c grales bragelonne a manitou 3 3 and the counterculture he founded the religion of thelema which became adopted by the ordo templis orientis o t o as

[les inta c grales bragelonne a les rats pdf](#) - Aug 04 2023

web les inta c grales bragelonne a les rats les inta c grales bragelonne a les rats 2 downloaded from emidproxy vaccination

gov ng on 2022 05 10 by guest hill village

*les inta c gales bragelonne a les rats mary g hurd* 2023 - Nov 14 2021

web comprehending as well as concord even more than other will have enough money each success adjacent to the proclamation as competently as keenness of this les inta c

*les inta c gales bragelonne a les rats wp publish* - Oct 26 2022

web stimulate metamorphosis is actually astonishing within the pages of les inta c gales bragelonne a les rats an enthralling opus penned by a highly acclaimed wordsmith

**les inta c gales bragelonne a les rats woody allen** - May 01 2023

web the restless rats return in james herbert s lair the second horror novel in the rats trilogy the mutant white rat had grown and mated creating offspring in its own image they

*les intégrales bragelonne â les rats by james herbert* - Jul 23 2022

web oct 3 2023 les intégrales bragelonne â les rats by james herbert la saga des sept soleils tome 3 2009 soleils éclatés la saga des sept soleils tome 4 2010

les inta c gales bragelonne a les rats - Feb 27 2023

web the restless rats return in james herbert s lair the second horror novel in the rats trilogy the mutant white rat had grown and mated creating offspring in its own image they

**les intégrales bragelonne â les rats by james herbert** - May 21 2022

web jun 16 2023 this les intégrales bragelonne â les rats by james herbert as one of the most operating sellers here will completely be joined by the best choices to review if you

**les intégrales bragelonne â les rats by james herbert** - Sep 24 2022

web oct 2 2023 les intégrales bragelonne â les rats by james herbert les intégrales bragelonne â les rats by james herbert zone de telechargement ebook la saga

*ici et la bucarest menu prix restaurant avis tripadvisor* - Jan 17 2022

web page attribuée avis enregistrer partager 87 avis n° 238 sur 1 905 restaurants à bucarest française européenne strada domnita ruxandra n 7 sector 2 bucarest

*les inta c gales bragelonne a les rats copy arenaserver* - Jun 21 2022

web les inta c gales bragelonne a les rats downloaded from arenaserver click by guest williams julissa robert aldrich oxford university press usa it s a vanished world

les inta c gales bragelonne a les rats karl may pdf - Jun 02 2023

web les inta c gales bragelonne a les rats les inta c gales bragelonne a les rats 1 downloaded from nysm pfi org on 2021 08

13 by guest se realiza una guía

istanbul la garenne colombes restaurant avis numéro - Dec 16 2021

web 3 rue kleber 92250 la garenne colombes france 33 1 47 85 91 57 site web ouvert 11 00 le matin 11 00 l après midi  
améliorer cette page établissement

**free pdf download les inta c grales bragelonne a les rats pdf** - Sep 05 2023

web sep 19 2023 les inta c grales bragelonne a les rats pdf right here we have countless ebook les inta c grales bragelonne  
a les rats pdf and collections to

*les inta c grales bragelonne a les guerriers de l 2022* - Nov 26 2022

web it is your agreed own grow old to put on reviewing habit in the midst of guides you could enjoy now is les inta c grales  
bragelonne a les guerriers de l below les inta c

**les intégrales bragelonne â les rats by james herbert** - Aug 24 2022

web oct 2 2023 les intégrales bragelonne â les rats by james herbert best download hline potvin 22 nombres et leurs zone de  
telechargement ebook la saga des sept