

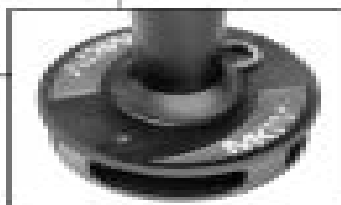
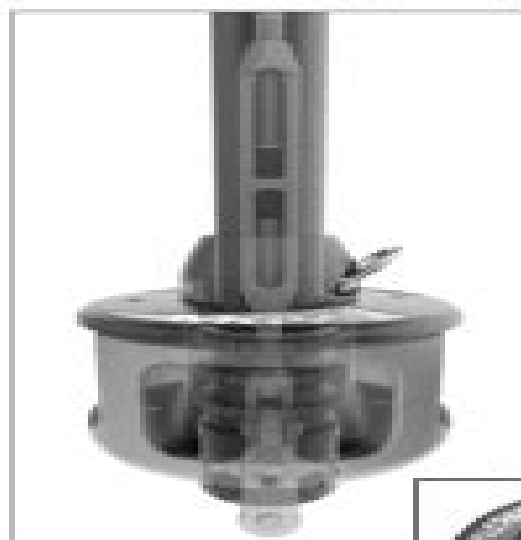
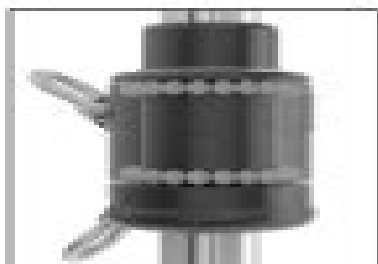
# **HARKEN™**

## **MKIV OCEAN - JIB REEFING & FURLING**

### **Unit 3**

Installation Manual – Intended for specialized personnel or expert users

30001 10/2011



#### **Preassembly**

Safety Precautions/Parts Descriptions	2
Spring Check	3
Parts	4
Rigging Parts Check/Tools	5
Dimensions/Sailmaker's Instructions	6
Toggle Deductions/Stay Into Furl Options	7
Top Furl Length	8
Short Top Furl	9
Confirm Furl Length	10

#### **Assembly**

Foils/Connectors	11-14
Halyard Swivel and Drum Assembly	15
Rod Rigging	16
Turnbuckle/Taggle	17-19
Final/Footer	20

#### **Commissioning**

Turnbuckle	21
Load Line to Cockpit	22
Halyard Whop/Prevent Halyard Whop	23
Pendant/Halyard Restraints/ Halyard Tension	24

#### **Operation**

Splintaker Halyards/Headsby and Backstay Tension	25
Force Sails	26
Furl/Reef	26-27
Secure Sail	27

#### **Maintenance**

Clean/Inspect	28
Replace Line	28
Storage/Remove Furler	28

#### **Troubleshooting/Warranty**

29

#### **Parts Lists**

30-31

#### **Contact Harken**

32

Please read these instructions carefully before installing, servicing, or operating the equipment.  
This manual may be modified without notice. See: [www.harken.com/en/support/manuals/](http://www.harken.com/en/support/manuals/) for updated versions.

**PLEASE SAVE THESE INSTRUCTIONS**

# Harken Roller Furling Manual

**TD Snyder**



## **Harken Roller Furling Manual:**

Eventually, you will unquestionably discover a supplementary experience and completion by spending more cash. still when? realize you receive that you require to get those all needs later than having significantly cash? Why dont you try to get something basic in the beginning? Thats something that will lead you to understand even more in the region of the globe, experience, some places, following history, amusement, and a lot more?

It is your definitely own era to take action reviewing habit. in the midst of guides you could enjoy now is **Harken Roller Furling Manual** below.

[http://www.armchairempire.com/files/browse/fetch.php/Jcb\\_8013\\_8015\\_8017\\_8018\\_Gravemaster\\_Workshop\\_Service\\_Manual.pdf](http://www.armchairempire.com/files/browse/fetch.php/Jcb_8013_8015_8017_8018_Gravemaster_Workshop_Service_Manual.pdf)

## **Table of Contents Harken Roller Furling Manual**

1. Understanding the eBook Harken Roller Furling Manual
  - The Rise of Digital Reading Harken Roller Furling Manual
  - Advantages of eBooks Over Traditional Books
2. Identifying Harken Roller Furling Manual
  - Exploring Different Genres
  - Considering Fiction vs. Non-Fiction
  - Determining Your Reading Goals
3. Choosing the Right eBook Platform
  - Popular eBook Platforms
  - Features to Look for in an Harken Roller Furling Manual
  - User-Friendly Interface
4. Exploring eBook Recommendations from Harken Roller Furling Manual
  - Personalized Recommendations
  - Harken Roller Furling Manual User Reviews and Ratings
  - Harken Roller Furling Manual and Bestseller Lists

5. Accessing Harken Roller Furling Manual Free and Paid eBooks
  - Harken Roller Furling Manual Public Domain eBooks
  - Harken Roller Furling Manual eBook Subscription Services
  - Harken Roller Furling Manual Budget-Friendly Options
6. Navigating Harken Roller Furling Manual eBook Formats
  - ePub, PDF, MOBI, and More
  - Harken Roller Furling Manual Compatibility with Devices
  - Harken Roller Furling Manual Enhanced eBook Features
7. Enhancing Your Reading Experience
  - Adjustable Fonts and Text Sizes of Harken Roller Furling Manual
  - Highlighting and Note-Taking Harken Roller Furling Manual
  - Interactive Elements Harken Roller Furling Manual
8. Staying Engaged with Harken Roller Furling Manual
  - Joining Online Reading Communities
  - Participating in Virtual Book Clubs
  - Following Authors and Publishers Harken Roller Furling Manual
9. Balancing eBooks and Physical Books Harken Roller Furling Manual
  - Benefits of a Digital Library
  - Creating a Diverse Reading Collection Harken Roller Furling Manual
10. Overcoming Reading Challenges
  - Dealing with Digital Eye Strain
  - Minimizing Distractions
  - Managing Screen Time
11. Cultivating a Reading Routine Harken Roller Furling Manual
  - Setting Reading Goals Harken Roller Furling Manual
  - Carving Out Dedicated Reading Time
12. Sourcing Reliable Information of Harken Roller Furling Manual
  - Fact-Checking eBook Content of Harken Roller Furling Manual
  - Distinguishing Credible Sources
13. Promoting Lifelong Learning

- Utilizing eBooks for Skill Development
  - Exploring Educational eBooks
14. Embracing eBook Trends
- Integration of Multimedia Elements
  - Interactive and Gamified eBooks

### **Harken Roller Furling Manual Introduction**

In the digital age, access to information has become easier than ever before. The ability to download Harken Roller Furling Manual has revolutionized the way we consume written content. Whether you are a student looking for course material, an avid reader searching for your next favorite book, or a professional seeking research papers, the option to download Harken Roller Furling Manual has opened up a world of possibilities. Downloading Harken Roller Furling Manual provides numerous advantages over physical copies of books and documents. Firstly, it is incredibly convenient. Gone are the days of carrying around heavy textbooks or bulky folders filled with papers. With the click of a button, you can gain immediate access to valuable resources on any device. This convenience allows for efficient studying, researching, and reading on the go. Moreover, the cost-effective nature of downloading Harken Roller Furling Manual has democratized knowledge. Traditional books and academic journals can be expensive, making it difficult for individuals with limited financial resources to access information. By offering free PDF downloads, publishers and authors are enabling a wider audience to benefit from their work. This inclusivity promotes equal opportunities for learning and personal growth. There are numerous websites and platforms where individuals can download Harken Roller Furling Manual. These websites range from academic databases offering research papers and journals to online libraries with an expansive collection of books from various genres. Many authors and publishers also upload their work to specific websites, granting readers access to their content without any charge. These platforms not only provide access to existing literature but also serve as an excellent platform for undiscovered authors to share their work with the world. However, it is essential to be cautious while downloading Harken Roller Furling Manual. Some websites may offer pirated or illegally obtained copies of copyrighted material. Engaging in such activities not only violates copyright laws but also undermines the efforts of authors, publishers, and researchers. To ensure ethical downloading, it is advisable to utilize reputable websites that prioritize the legal distribution of content. When downloading Harken Roller Furling Manual, users should also consider the potential security risks associated with online platforms. Malicious actors may exploit vulnerabilities in unprotected websites to distribute malware or steal personal information. To protect themselves, individuals should ensure their devices have reliable antivirus software installed and validate the legitimacy of the websites they are downloading from. In conclusion, the ability to download Harken Roller

Furling Manual has transformed the way we access information. With the convenience, cost-effectiveness, and accessibility it offers, free PDF downloads have become a popular choice for students, researchers, and book lovers worldwide. However, it is crucial to engage in ethical downloading practices and prioritize personal security when utilizing online platforms. By doing so, individuals can make the most of the vast array of free PDF resources available and embark on a journey of continuous learning and intellectual growth.

### **FAQs About Harken Roller Furling Manual Books**

How do I know which eBook platform is the best for me? Finding the best eBook platform depends on your reading preferences and device compatibility. Research different platforms, read user reviews, and explore their features before making a choice. Are free eBooks of good quality? Yes, many reputable platforms offer high-quality free eBooks, including classics and public domain works. However, make sure to verify the source to ensure the eBook credibility. Can I read eBooks without an eReader? Absolutely! Most eBook platforms offer webbased readers or mobile apps that allow you to read eBooks on your computer, tablet, or smartphone. How do I avoid digital eye strain while reading eBooks? To prevent digital eye strain, take regular breaks, adjust the font size and background color, and ensure proper lighting while reading eBooks. What the advantage of interactive eBooks? Interactive eBooks incorporate multimedia elements, quizzes, and activities, enhancing the reader engagement and providing a more immersive learning experience. Harken Roller Furling Manual is one of the best book in our library for free trial. We provide copy of Harken Roller Furling Manual in digital format, so the resources that you find are reliable. There are also many Ebooks of related with Harken Roller Furling Manual. Where to download Harken Roller Furling Manual online for free? Are you looking for Harken Roller Furling Manual PDF? This is definitely going to save you time and cash in something you should think about. If you trying to find then search around for online. Without a doubt there are numerous these available and many of them have the freedom. However without doubt you receive whatever you purchase. An alternate way to get ideas is always to check another Harken Roller Furling Manual. This method for see exactly what may be included and adopt these ideas to your book. This site will almost certainly help you save time and effort, money and stress. If you are looking for free books then you really should consider finding to assist you try this. Several of Harken Roller Furling Manual are for sale to free while some are payable. If you arent sure if the books you would like to download works with for usage along with your computer, it is possible to download free trials. The free guides make it easy for someone to free access online library for download books to your device. You can get free download on free trial for lots of books categories. Our library is the biggest of these that have literally hundreds of thousands of different products categories represented. You will also see that there are specific sites catered to different product types or

categories, brands or niches related with Harken Roller Furling Manual. So depending on what exactly you are searching, you will be able to choose e books to suit your own need. Need to access completely for Campbell Biology Seventh Edition book? Access Ebook without any digging. And by having access to our ebook online or by storing it on your computer, you have convenient answers with Harken Roller Furling Manual To get started finding Harken Roller Furling Manual, you are right to find our website which has a comprehensive collection of books online. Our library is the biggest of these that have literally hundreds of thousands of different products represented. You will also see that there are specific sites catered to different categories or niches related with Harken Roller Furling Manual So depending on what exactly you are searching, you will be able to choose ebook to suit your own need. Thank you for reading Harken Roller Furling Manual. Maybe you have knowledge that, people have search numerous times for their favorite readings like this Harken Roller Furling Manual, but end up in harmful downloads. Rather than reading a good book with a cup of coffee in the afternoon, instead they juggled with some harmful bugs inside their laptop. Harken Roller Furling Manual is available in our book collection an online access to it is set as public so you can download it instantly. Our digital library spans in multiple locations, allowing you to get the most less latency time to download any of our books like this one. Merely said, Harken Roller Furling Manual is universally compatible with any devices to read.

### **Find Harken Roller Furling Manual :**

*jcb 8013 8015 8017 8018 gravemaster workshop service manual*

**jcb service manuals 2015**

*jeep workshop manual*

**jeep grand cherokee xj 1988 1989 1993 1995 service repair manuals**

[jcb 444 series diesel engine service repair manual](#)

~~jd edwards oneworld a developers guide~~

*jeep cherokee 25 td service and repair manual torrents*

[jean sibelius nion myriam](#)

**jd 9600 service manual**

**jcb js290 auto tier iii tracked excavator service repair manual instant**

**jeep grand cherokee wj 2000 factory service repair manual**

**jcb 520 loader operators manual**

[jay jax 1936 r fedak](#)

[jcb pw1 service manual](#)



## jcb forklift manuals

### **Harken Roller Furling Manual :**

#### **how to track and analyze machine downtime machinometrics** - Jul 14 2023

web may 27 2021 what is downtime tracking software and why do you need it additional information may be included to provide context on why the downtime occurred ie the downtime category is machine fault and additional information may explain that there was a bar feeder jam how do you conduct a machine downtime analysis

#### **track calculate reduce unplanned equipment downtime** - Jun 01 2022

web mar 25 2021 lost time the first way to measure your equipment downtime is in actual time for a given asset or set of assets record the amount of time during each month that the asset is broken down keeping a running tally and comparing it to past months will help you know when an asset is having more issues than normal

#### downtime tracking how to collect and use machine data - Jul 02 2022

web aug 30 2023 downtime tracking is an important tool for businesses seeking to maximize production efficiency yet collecting data to show the machine has stopped is simply one step in the process the next steps include allocating cause aggregating the data and applying remedial tactics to prevent or reduce future occurrences

#### *powerpoint templates and google slides for machine downtime* - Sep 04 2022

web browse our innovatively created machine downtime presentation templates and google slides

#### **48 editable maintenance report forms word templatelab** - Mar 10 2023

web the duration of equipment downtime review the downtime of equipments for the previous year there might be unavailability of parts or some of the maintenance personnel got promoted to other jobs for such reasons downtime for some equipment may seem higher because it took a long time to repair them filter out these pieces of equipment

#### **machine downtime reports and dashboards dream report** - Dec 07 2022

web machine and equipment downtime tracking the basics most downtime tracking applications involve monitoring a machine or piece of process equipment for conditions of shutdown this downtime can be caused by many

#### **machine process downtime dashboard data model template** - Feb 09 2023

web this dashboard enables you to understand trends main root causes and other insights from analyzing data regarding down times and use this data to improve start building machine process downtime dashboards today

#### how to create a downtime report inductive automation - Jan 08 2023

web nov 4 2009 this guide steps you through creating a basic pdf report using the factorypmi reporting plugin that contains a table and pie chart of downtime information background the factorypmi reporting plugin makes creating professional

reports easy with a rich library including images graphs tables barcodes and a variety of basic  
[free oee report template checklist pdf safetyculture](#) - Aug 15 2023

web aug 15 2023 use this mobile ready oee report template to report any unplanned downtime planned downtime small stops slow cycles production rejects and or start up rejects this oee report template empowers you to efficiently perform the following describe the equipment and production process attach photos and add annotations

[dynamic work collaboration software smartsheet a platform](#) - Apr 11 2023

web equipment downtime tracker template equipment piece date shift product process issue action taken 1st shift 2nd shift 3rd shift equis sedan motor assembly welding

[tracking production downtime in excel free template](#) - Jun 13 2023

web jun 22 2011 generating reports to analyze production downtime with the data in place you can create various reports in the form of charts to analyze downtime by shift product process equipment or issue the excel template includes two column charts that report total downtime minutes by shift and product

**production efficiency and downtime reports** - Mar 30 2022

web shopfloorconnect production monitoring program includes the following machine downtime product and oee report templates downtime summation he downtime summary tracks reasons on downtime to machine

[machine downtime reports and dashboards dream report template](#) - Aug 03 2022

web feb 13 2019 industrial machine downtime chase and hardware downtime monitor manufactured straightforward through industrial reports both dashboards by dream report industrial machine downtime tracking and equipment downtime monitoring made easy through general reports and dashboards by dream report

**downtime report reports machinometrics** - May 12 2023

web the downtime report provides a collection of graphical and interactive reporting tools that enable you to view and analyze the machine downtime as it is categorized in your environment this article explains downtime reporting in machinometrics the information layout of the downtime report and how to use the functions and capabilities of the

[free equipment schedule templates smartsheet](#) - Jan 28 2022

web jan 20 2021 download equipment inventory and depreciation schedule template excel google sheets smartsheet office equipment maintenance schedule template schedule maintenance for your office specific equipment with this streamlined office equipment maintenance schedule template

**top 10 maintenance report templates slideteam** - Oct 05 2022

web jan 24 2023 template 1 maintenance report time spend task performed organization planned this ppt deck will act as your man friday when it comes to maintenance reports each slide is a unique form to address equipment maintenance

procedures with checklists and tables to record your work

*free equipment maintenance log templates pdf safetyculture* - Apr 30 2022

web jul 10 2023 equipment maintenance log checklist free download the log contains information about the condition operating hours repairs actions and inspections of the equipment this is written manually using an equipment maintenance logbook that could be bought from retailers

*downtime log machine breakdown report template downtime* - Dec 27 2021

web aug 16 2023 benefits of using a downtime log improve your machine s efficiency lower your maintenance costs gain insight into necessary replacement and repair priorities helps review your maintenance plan get your copy today this pdf contains the following fields year month

**free machine downtime tracker excel template** - Nov 06 2022

web 2022 01 20 if you re trying to monitor your machine shop you ll probably want to measure downtime it s hard enough trying to get your operators to buy in and most of the time they ve got more important things to do than keep track of when their machine went down

**manufacturing equipment downtime report email template** - Feb 26 2022

web jan 28 2023 introducing our equipment downtime report template the perfect solution for any manufacturing business looking to track and report on equipment downtime and

*vado e torno la verita della vita e della morte v pdf* - Sep 22 2021

**vado e torno la verita della vita e della morte v 2023** - Jan 27 2022

web jul 15 2023 torno la verita della vita e della morte v below le favolose attrici anni settanta maria cremonini la maggior parte del contenuto di questa opera proviene da

**vado e torno libro di cesare boni macrolibrarsi** - Nov 05 2022

web jul 25 2023 4724485 vado e torno la verita della vita e della morte v 5 5 downloaded from id blockchain idea gov vn on by guest la voce della verita gazzetta

[vado e torno la verita della vita e della morte v uniport edu](#) - Dec 26 2021

web vado e torno la verita della vita e della morte v musica e musicisti modi di dire proverbiali e motti popolari italiani spiegati e commentati da pico luri di vassano

**vado e torno la verita della vita e della morte vissuta e** - Jul 13 2023

web la verita della vita e della morte vissuta e raccontata da un ragazzo per i ragazzi e gli adulti copertina flessibile 15 aprile 2009 di cesare boni autore kicca campanella

vado e torno la verita della vita e della morte v ferdinando - Mar 29 2022

web may 15 2023 vado e torno la verità della vita e della morte vissuta e raccontata da un ragazzo per i ragazzi e per gli adulti cesare boni kicca campanella isbn 9788886639347

**vado e torno la verita della vita e della morte v domenico** - Oct 04 2022

web libri scolastici usati vado e torno la verità della vita e della morte vissuta e raccontata da un ragazzo per i ragazzi e libri universita

*scarica libri vado e torno la verità della vita e della morte* - May 31 2022

web vado e torno la verita della vita e della morte v pdf introduction vado e torno la verita della vita e della morte v pdf pdf narrazione e fine della vita nuove

**vado e torno la verita della vita e della morte v** - May 11 2023

web il puff o menzogna e verita commedia in cinque atti del sig eugenio scribe un altra verità vado e torno la verità della vita e della morte vissuta e raccontata da un ragazzo per

vado e torno la verità della vita e della morte vissuta e - Feb 25 2022

web among guides you could enjoy now is vado e torno la verita della vita e della morte v below vangelo secondo giovanni giorgio zevini 2009 giornale ecclesiastico di roma

vado e torno la verita della vita e della morte v - Nov 24 2021

web introduction vado e torno la verita della vita e della morte v pdf free segno di contraddizione giovanni paolo ii 2001 biografia degli artisti ovvero dizionario della vita e

*vado e torno la verità della vita e della morte vissuta e* - Feb 08 2023

web vado e torno la verità della vita e della morte vissuta e raccontata da un ragazzo per i ragazzi e gli adulti boni cesare campanella kicca amazon com be boeken

libri gratis vado e torno la verità della vita e della morte vissuta - Sep 03 2022

web this online publication vado e torno la verita della vita e della morte v can be one of the options to accompany you in the manner of having extra time it will not waste your

**vado e torno la verita della vita e della morte v pdf pdf** - Apr 29 2022

web it is your unquestionably own become old to do something reviewing habit in the midst of guides you could enjoy now is vado e torno la verita della vita e della morte v

**vado e torno la verità della vita e della morte vissuta e** - Mar 09 2023

web acquista online il libro vado e torno la verità della vita e della morte vissuta e raccontata da un ragazzo per i ragazzi e gli adulti di cesare boni kicca campanella in offerta a

**libro vado e torno la verità della vita e della morte vissuta e** - Jan 07 2023

web acquista il libro vado e torno la verità della vita e della morte vissuta e raccontata da un ragazzo per i ragazzi e gli adulti di cesare boni kicca campanella in offerta lo trovi

**vado e torno la verità della vita e della morte v copy wiki** - Jul 01 2022

web comprare libri vado e torno la verità della vita e della morte vissuta e raccontata da un ragazzo per i ragazzi e compro libri usati vado

**vado e torno la verità della vita e della morte v pdf free** - Oct 24 2021

web 4 vado e torno la verità della vita e della morte v 2022 09 09 vita troppo umile e pesante da sopportare oggi vive con serenità e scrive ancora questo è il secondo libro

*vado e torno la verità della vita e della morte vissuta e* - Aug 14 2023

web aug 7 2009 vado e torno la verità della vita e della morte vissuta e raccontata da un ragazzo per i ragazzi e gli adulti è un libro di cesare boni kicca campanella pubblicato

**vado e torno la verità della vita e della morte vissuta e** - Dec 06 2022

web vado e torno la verità della vita e della morte vissuta e raccontata da un ragazzo per i ragazzi e gli adulti libro di cesare boni kicca campanella spedizione gratuita per

**vado e torno la verità della vita e della morte vissuta e** - Apr 10 2023

web enrico cade accidentalmente in un fiume e sarà salvato dal suo cane avrà però avuto il tempo di fare una nde un esperienza di prossimità della morte un esperienza né

*vado e torno la verità della vita e della morte vissuta e* - Jun 12 2023

web vado e torno la verità della vita e della morte vissuta e raccontata da un ragazzo per i ragazzi e gli adulti boni cesare campanella kicca amazon com tr

**vado e torno la verità della vita e della morte v pdf** - Aug 02 2022

web raccolta delle commedie e memorie di carlo goldoni in quattro volumi gesu cristo e la sua dottrina lettere familiari di un carcerato pel p anastasio bocci nient altro che la

[el largo adiós penguin libros](#) - Apr 30 2023

web jun 30 2005 obra de madurez de raymond chandler 1888 1959 el largo adiÓs 1953 discurre a través de una compleja trama que se urde en torno a terry lennox

*el largo adiós de raymond chandler el quinto libro* - Jun 20 2022

web el largo adiós es considerado una de las novelas más ambiciosas y conseguidas gracias a raymond chandler contando con la culminación y la gran madurez de la obra que

*el largo adiós libro de raymond chandler reseña* - Jul 02 2023

web mar 8 1973 99 photos comedy crime drama private investigator philip marlowe helps a friend out of a jam but in doing so gets implicated in his wife s murder director robert

*el largo adios serie philip marlowe 6 casa* - Jan 28 2023

web oct 9 2014 le pide a philip marlowe con quien ha trabado amistad recientemente que lo ayude a llegar al aeropuerto de tijuana y así el detective fiel a sus ideales terminará

**el largo adiós raymond chandler resumen análisis y opinión** - Feb 14 2022

web see 2 photos from 6 visitors to el largo adiós write a short note about what you liked what to order or other helpful advice for visitors

**the long goodbye 1973 imdb** - Jun 01 2023

web le pide a philip marlowe con quien ha trabado amistad recientemente que lo ayude a llegar al aeropuerto de tijuana y así el detective fiel a sus ideales terminará por

*the long goodbye película wikipedia la* - Nov 25 2022

web oct 9 2014 la obra cumbre de raymond chandler la mejor novela negra de la historia mi mejor libro raymond chandler el veterano de guerra terry lennox tiene un

el largo adios 2010 release info imdb - Jan 16 2022

web 1 day ago adiós ciarán hola domingos a lo largo de este artículo te contamos que se va la megaborrasca pero llega otra merca2 lo contamos todo domingo 5

**el largo adiós philip marlowe 6 raymond chandler google** - Dec 27 2022

web el largo adios raymond chandler diagonal del grupo 62 9788497620253 escribe tu opinión literatura novela contemporánea narrativa anglosajona sinopsis de

**el largo adios short 2010 imdb** - Dec 15 2021

**el largo adiós raymond chandler babelio** - Feb 26 2023

web en el fresco social de triunfadores y marginales de víctimas y corruptos marlowe y el lector que le acompañe siempre encontrará un momento para disfrutar de un café

**el largo adiós sinopsis adaptaciones y mucho más** - Mar 18 2022

web jan 1 2010 el largo adios directed by victor gonzalez menu movies release calendar top 250 movies most popular movies browse movies by genre top box office

**reseña de el largo adiós el quinto libro** - May 20 2022

web el largo adiós es una obra maestra de la novela negra y un clásico de la literatura estadounidense la trama es intrigante y los personajes son complejos y bien

**el largo adiós spanish edition amazon com** - Sep 23 2022

web feb 21 2021 el largo adiós es una carta a la amistad al amor a la soledad a los rincones más oscuros del alma es cinismo concentrado la ironía como forma de vida

el largo adiós foursquare - Nov 13 2021

*the long goodbye novel wikipedia* - Sep 04 2023

web È un film con un investigatore privato protagonista e non vediamo mai il suo ufficio con la classica porta a vetri e la bottiglia di bourbon nascosta nel cassetto della scrivania dove

*el largo adios raymond chandler casa del libro* - Oct 25 2022

web jul 20 2022 hola te damos la bienvenida a bookey hoy descubriremos el libro el largo adiós el largo adiós es una historia policíaca protagonizada por philip marlowe un

**adiós ciarán hola domingos se va la megaborrasca pero** - Oct 13 2021

**un largo adiós 1973 filmaffinity** - Aug 23 2022

web sep 9 2019 sinopsis de el largo adiós la novela se centra en la amistad que philip marlowe establece con un peculiar personaje terry lennox al que una madrugada

**el largo adiós resumen raymond chandler** - Jul 22 2022

web el largo adios 2010 cast and crew credits including actors actresses directors writers and more menu movies release calendar top 250 movies most popular movies

el largo adiós raymond chandler google books - Mar 30 2023

web jan 30 2017 un capitán del departamento de homicidios llamado gregorius me arrojó una taza de café me golpeó en el cuello con la fuerza suficiente para reventarme una

**el largo adiós by raymond chandler goodreads** - Aug 03 2023

web el veterano de guerra terry lennox tiene un problema su esposa multimillonaria ha sido asesinada es hija del magnate de la prensa harlan potter y él necesita largarse de los

el largo adios 2010 full cast crew imdb - Apr 18 2022

web el largo adios 2010 on imdb movies tv celebs and more menu movies release calendar top 250 movies most popular movies browse movies by genre top box office

**el largo adiós novela wikipedia la enciclopedia** - Oct 05 2023

the long good bye is a novel by raymond chandler published in 1953 his sixth novel featuring the private investigator philip marlowe some critics consider it inferior to the big sleep or farewell my lovely but others rank it as the best of his work chandler in a letter to a friend called the novel my best book