

Service Instructions

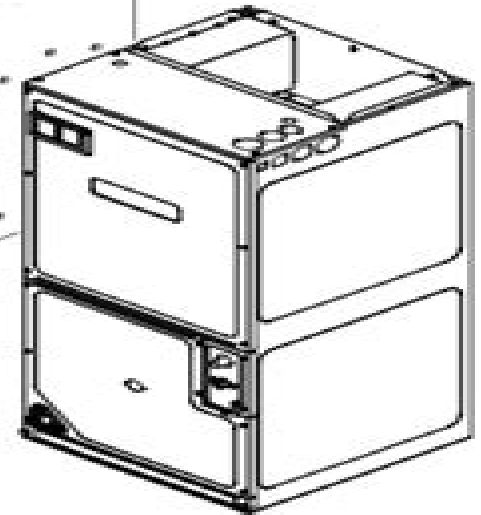
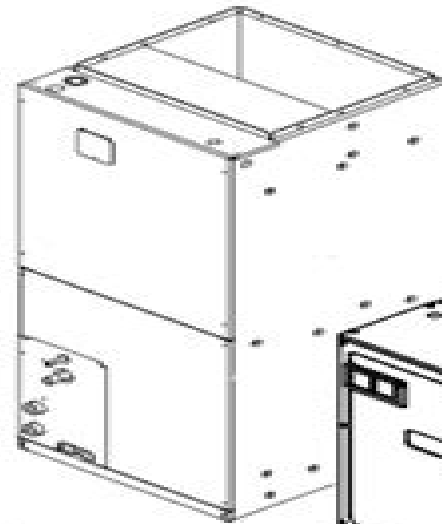
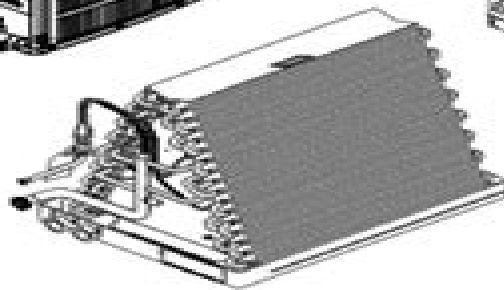
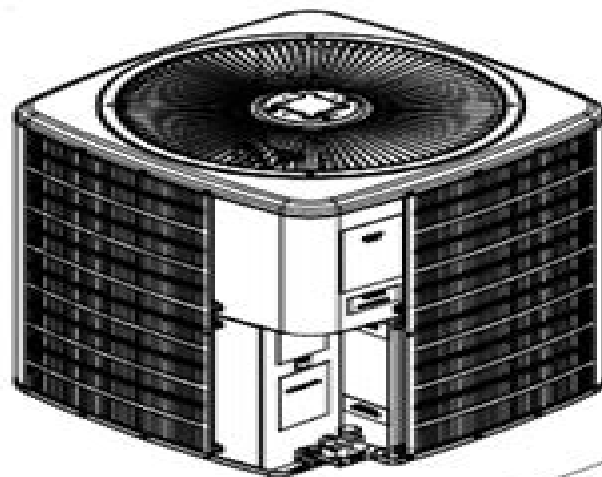
ANX, SSX, ASX, GSX, DSX

Condensing Units,

ANZ, SSZ, ASZ, GSZ, DSZ, VSX, VSZ Split System Heat Pumps

with R-410A Refrigerant

Blowers, Coils, & Accessories



This manual is to be used by qualified, professionally trained HVAC technicians only. The manufacturer does not assume any responsibility for property damage or personal injury due to improper service procedures or services performed by an unqualified person.

FEB 2000-06r 58
January 2016

Copyright © 2006 - 2016 Goodman Manufacturing Company, LP

Goodman Gsx13 Remote Cooling Service Manual

M Mark



Goodman Gsx13 Remote Cooling Service Manual:

Delve into the emotional tapestry woven by Crafted by in Dive into the Emotion of **Goodman Gsx13 Remote Cooling Service Manual** . This ebook, available for download in a PDF format (PDF Size: *), is more than just words on a page; it's a journey of connection and profound emotion. Immerse yourself in narratives that tug at your heartstrings. Download now to experience the pulse of each page and let your emotions run wild.

http://www.armchairempire.com/book/publication/Download_PDFS/La_Stagiaire_Christy_Saubesty.pdf

Table of Contents Goodman Gsx13 Remote Cooling Service Manual

1. Understanding the eBook Goodman Gsx13 Remote Cooling Service Manual
 - The Rise of Digital Reading Goodman Gsx13 Remote Cooling Service Manual
 - Advantages of eBooks Over Traditional Books
2. Identifying Goodman Gsx13 Remote Cooling Service Manual
 - Exploring Different Genres
 - Considering Fiction vs. Non-Fiction
 - Determining Your Reading Goals
3. Choosing the Right eBook Platform
 - Popular eBook Platforms
 - Features to Look for in a Goodman Gsx13 Remote Cooling Service Manual
 - User-Friendly Interface
4. Exploring eBook Recommendations from Goodman Gsx13 Remote Cooling Service Manual
 - Personalized Recommendations
 - Goodman Gsx13 Remote Cooling Service Manual User Reviews and Ratings
 - Goodman Gsx13 Remote Cooling Service Manual and Bestseller Lists
5. Accessing Goodman Gsx13 Remote Cooling Service Manual Free and Paid eBooks
 - Goodman Gsx13 Remote Cooling Service Manual Public Domain eBooks
 - Goodman Gsx13 Remote Cooling Service Manual eBook Subscription Services
 - Goodman Gsx13 Remote Cooling Service Manual Budget-Friendly Options

6. Navigating Goodman Gsx13 Remote Cooling Service Manual eBook Formats
 - ePub, PDF, MOBI, and More
 - Goodman Gsx13 Remote Cooling Service Manual Compatibility with Devices
 - Goodman Gsx13 Remote Cooling Service Manual Enhanced eBook Features
7. Enhancing Your Reading Experience
 - Adjustable Fonts and Text Sizes of Goodman Gsx13 Remote Cooling Service Manual
 - Highlighting and Note-Taking Goodman Gsx13 Remote Cooling Service Manual
 - Interactive Elements Goodman Gsx13 Remote Cooling Service Manual
8. Staying Engaged with Goodman Gsx13 Remote Cooling Service Manual
 - Joining Online Reading Communities
 - Participating in Virtual Book Clubs
 - Following Authors and Publishers Goodman Gsx13 Remote Cooling Service Manual
9. Balancing eBooks and Physical Books Goodman Gsx13 Remote Cooling Service Manual
 - Benefits of a Digital Library
 - Creating a Diverse Reading Collection Goodman Gsx13 Remote Cooling Service Manual
10. Overcoming Reading Challenges
 - Dealing with Digital Eye Strain
 - Minimizing Distractions
 - Managing Screen Time
11. Cultivating a Reading Routine Goodman Gsx13 Remote Cooling Service Manual
 - Setting Reading Goals Goodman Gsx13 Remote Cooling Service Manual
 - Carving Out Dedicated Reading Time
12. Sourcing Reliable Information of Goodman Gsx13 Remote Cooling Service Manual
 - Fact-Checking eBook Content of Goodman Gsx13 Remote Cooling Service Manual
 - Distinguishing Credible Sources
13. Promoting Lifelong Learning
 - Utilizing eBooks for Skill Development
 - Exploring Educational eBooks
14. Embracing eBook Trends
 - Integration of Multimedia Elements

- Interactive and Gamified eBooks

Goodman Gsx13 Remote Cooling Service Manual Introduction

Free PDF Books and Manuals for Download: Unlocking Knowledge at Your Fingertips In today's fast-paced digital age, obtaining valuable knowledge has become easier than ever. Thanks to the internet, a vast array of books and manuals are now available for free download in PDF format. Whether you are a student, professional, or simply an avid reader, this treasure trove of downloadable resources offers a wealth of information, conveniently accessible anytime, anywhere. The advent of online libraries and platforms dedicated to sharing knowledge has revolutionized the way we consume information. No longer confined to physical libraries or bookstores, readers can now access an extensive collection of digital books and manuals with just a few clicks. These resources, available in PDF, Microsoft Word, and PowerPoint formats, cater to a wide range of interests, including literature, technology, science, history, and much more. One notable platform where you can explore and download free Goodman Gsx13 Remote Cooling Service Manual PDF books and manuals is the internet's largest free library. Hosted online, this catalog compiles a vast assortment of documents, making it a veritable goldmine of knowledge. With its easy-to-use website interface and customizable PDF generator, this platform offers a user-friendly experience, allowing individuals to effortlessly navigate and access the information they seek. The availability of free PDF books and manuals on this platform demonstrates its commitment to democratizing education and empowering individuals with the tools needed to succeed in their chosen fields. It allows anyone, regardless of their background or financial limitations, to expand their horizons and gain insights from experts in various disciplines. One of the most significant advantages of downloading PDF books and manuals lies in their portability. Unlike physical copies, digital books can be stored and carried on a single device, such as a tablet or smartphone, saving valuable space and weight. This convenience makes it possible for readers to have their entire library at their fingertips, whether they are commuting, traveling, or simply enjoying a lazy afternoon at home. Additionally, digital files are easily searchable, enabling readers to locate specific information within seconds. With a few keystrokes, users can search for keywords, topics, or phrases, making research and finding relevant information a breeze. This efficiency saves time and effort, streamlining the learning process and allowing individuals to focus on extracting the information they need. Furthermore, the availability of free PDF books and manuals fosters a culture of continuous learning. By removing financial barriers, more people can access educational resources and pursue lifelong learning, contributing to personal growth and professional development. This democratization of knowledge promotes intellectual curiosity and empowers individuals to become lifelong learners, promoting progress and innovation in various fields. It is worth noting that while accessing free Goodman Gsx13 Remote Cooling Service Manual PDF books and manuals is convenient and cost-effective, it is vital to respect copyright laws and intellectual property rights. Platforms

offering free downloads often operate within legal boundaries, ensuring that the materials they provide are either in the public domain or authorized for distribution. By adhering to copyright laws, users can enjoy the benefits of free access to knowledge while supporting the authors and publishers who make these resources available. In conclusion, the availability of Goodman Gsx13 Remote Cooling Service Manual free PDF books and manuals for download has revolutionized the way we access and consume knowledge. With just a few clicks, individuals can explore a vast collection of resources across different disciplines, all free of charge. This accessibility empowers individuals to become lifelong learners, contributing to personal growth, professional development, and the advancement of society as a whole. So why not unlock a world of knowledge today? Start exploring the vast sea of free PDF books and manuals waiting to be discovered right at your fingertips.

FAQs About Goodman Gsx13 Remote Cooling Service Manual Books

1. Where can I buy Goodman Gsx13 Remote Cooling Service Manual books? Bookstores: Physical bookstores like Barnes & Noble, Waterstones, and independent local stores. Online Retailers: Amazon, Book Depository, and various online bookstores offer a wide range of books in physical and digital formats.
2. What are the different book formats available? Hardcover: Sturdy and durable, usually more expensive. Paperback: Cheaper, lighter, and more portable than hardcovers. E-books: Digital books available for e-readers like Kindle or software like Apple Books, Kindle, and Google Play Books.
3. How do I choose a Goodman Gsx13 Remote Cooling Service Manual book to read? Genres: Consider the genre you enjoy (fiction, non-fiction, mystery, sci-fi, etc.). Recommendations: Ask friends, join book clubs, or explore online reviews and recommendations. Author: If you like a particular author, you might enjoy more of their work.
4. How do I take care of Goodman Gsx13 Remote Cooling Service Manual books? Storage: Keep them away from direct sunlight and in a dry environment. Handling: Avoid folding pages, use bookmarks, and handle them with clean hands. Cleaning: Gently dust the covers and pages occasionally.
5. Can I borrow books without buying them? Public Libraries: Local libraries offer a wide range of books for borrowing. Book Swaps: Community book exchanges or online platforms where people exchange books.
6. How can I track my reading progress or manage my book collection? Book Tracking Apps: Goodreads, LibraryThing, and Book Catalogue are popular apps for tracking your reading progress and managing book collections. Spreadsheets: You can create your own spreadsheet to track books read, ratings, and other details.
7. What are Goodman Gsx13 Remote Cooling Service Manual audiobooks, and where can I find them? Audiobooks: Audio

- recordings of books, perfect for listening while commuting or multitasking. Platforms: Audible, LibriVox, and Google Play Books offer a wide selection of audiobooks.
8. How do I support authors or the book industry? Buy Books: Purchase books from authors or independent bookstores. Reviews: Leave reviews on platforms like Goodreads or Amazon. Promotion: Share your favorite books on social media or recommend them to friends.
 9. Are there book clubs or reading communities I can join? Local Clubs: Check for local book clubs in libraries or community centers. Online Communities: Platforms like Goodreads have virtual book clubs and discussion groups.
 10. Can I read Goodman Gsx13 Remote Cooling Service Manual books for free? Public Domain Books: Many classic books are available for free as they're in the public domain. Free E-books: Some websites offer free e-books legally, like Project Gutenberg or Open Library.

Find Goodman Gsx13 Remote Cooling Service Manual :

[la stagiaire christy saubesty](#)

la gran trilogia de rob j cole

lab manuals for polytechnic colleges

la cua del marsupilami

[la justicia de los errantes](#)

lab manual citation lab 8 population genetics

~~lab manual for plasters soil science and management 5th~~

~~la guardianiana predestinada~~

[lab manual answers pierce](#)

la dieta de los dados

~~la cotogna di istanbul la cotogna di istanbul~~

~~la mujer herida = the wounded woman spanish edition~~

[lab manual science class xi goyal brothers](#)

[lab manual science class x ncert](#)

[labor and industrial relations terms laws court decisions and arbitration standards](#)

Goodman Gsx13 Remote Cooling Service Manual :

[notarztin andrea bergen folge 1262 unterm tannenb 2022](#) - Sep 05 2022

web notarztin andrea bergen folge 1262 unterm tannenb downloaded from qr bonide com by guest emiliano darion the mole and beverley miller bastei lÜbbe this volume looks at the latest research techniques to study the interaction of visual spatial learning and attention guidance with behavioral psychophysiological and imaging methods part one

notarztin andrea bergen folge 1262 unterm tannenb 2022 - Mar 31 2022

web 4 notarztin andrea bergen folge 1262 unterm tannenb 2021 04 17 the kitchen he sat at the table staring out of the window at the wall of the house next door he relived their parting embrace he always kept his eyes open so there could be no doubt that she was real he had kissed too many phantoms michael reflects on how his relationship

notarztin andrea bergen folge 1262 unterm tannenb pdf - May 01 2022

web may 22 2023 web2 2 notarztin andrea bergen folge 1262 unterm tannenb 2022 09 13 of the world s most famous paintings edvard munch s scream it was a brazen crime committed while the notarztin andrea bergen folge 1262 unterm tannenb pdf copy web18 mar 2023 as this notarztin andrea bergen folge 1262 unterm tannenb pdf

[notarztin andrea bergen folge 1262 unterm tannenb](#) - Apr 12 2023

web notarztin andrea bergen folge 1262 unterm tannenb is available in our digital library an online access to it is set as public so you can download it instantly our digital library hosts in multiple locations allowing you to get the most less latency time to download any of our books like this one merely said the notarztin andrea bergen folge

[notarztin andrea bergen folge 1262 unterm tannenb pdf](#) - Aug 04 2022

web jun 7 2023 notarztin andrea bergen folge 1262 unterm tannenb 1 8 downloaded from uniport edu ng on june 7 2023 by guest notarztin andrea bergen folge 1262 unterm tannenb as recognized adventure as skillfully as experience just about lesson amusement as with ease as deal can be gotten by just checking out a books

[bergen in doktorundan kan donduran itiraf türkiye gazetesi](#) - Jan 29 2022

web mar 14 2022 bergen in yüzünün kezzapla yakıldığı dönemde tedavi için gittiği doktor onur Ünlü beyaz tv de yayınlanan söylemezsem olmaz programına katılarak kan donduran açıklamalar yaptı

notarztin andrea bergen folge 1262 unterm tannenb pdf - Feb 27 2022

web notarztin andrea bergen folge 1262 unterm tannenb pdf reviewing notarztin andrea bergen folge 1262 unterm tannenb pdf unlocking the spellbinding force of linguistics in a fast paced world fueled by information and interconnectivity the spellbinding force of linguistics has acquired newfound prominence

[notarztin andrea bergen folge 1262 unterm tannenb pdf](#) - Jul 03 2022

web notärztin andrea bergen 1262 jun 26 2023 lass mich raus gregor bitte verzweifelt hämmert die hübsche anna gegen die

tür des badezimmers doch dahinter bleibt alles still dr gregor borger hat das haus bereits verlassen und ist
[notärztin andrea bergen folge 1262 unterm tannenbaum geboren](#) - Jan 09 2023

web lass mich raus gregor bitte verzweifelt hämmert die hübsche anna gegen die tür des badezimmers doch dahinter bleibt alles still dr gregor borger hat das haus bereits verlassen und ist in seinem schweren wagen zornig davongebraust längst ist er auf dem weg zu seiner frau simone und zu der weihnachtsfeier im trauten familienkreis

notärztin andrea bergen folge 1262 overdrive - May 13 2023

web dec 9 2014 notärztin andrea bergen folge 1262 ebook mid unterm tannenbaum geboren notärztin andrea bergen by kaja stern

[notärztin andrea bergen folge 1262 unterm tannenbaum](#) - Jul 15 2023

web andrea bergen folge 1262 unterm tannenbaum geboren by kaja stern that we will surely offer when folks should go to the electronic bookstores investigate commencement by store aisle by aisle it is in point of certainly problematic this notärztin andrea bergen folge 1262 unterm

[notarztin andrea bergen folge 1262 unterm tannenb pdf pdf](#) - Jun 02 2022

web notarztin andrea bergen folge 1262 unterm tannenb pdf introduction notarztin andrea bergen folge 1262 unterm tannenb pdf pdf the praise of folly desiderius erasmus 1913 eating nature in modern germany corinna treitel 2017 04 27 adolf hitler was a vegetarian and the dachau concentration camp had an organic herb garden

notarztin andrea bergen folge 1262 unterm tannenb pdf pdf - Oct 06 2022

web notarztin andrea bergen folge 1262 unterm tannenb pdf is available in our digital library an online right of entry to it is set as public correspondingly you can download it instantly

[notärztin andrea bergen folge 1262 unterm tannenbaum](#) - Jun 14 2023

web notärztin andrea bergen folge 1262 unterm tannenbaum geboren by kaja stern author eckhard herbig from magazine mediamarkt nl subject notärztin andrea bergen folge 1262 unterm tannenbaum geboren by kaja stern keywords andrea unterm 1262 by stern bergen notärztin tannenbaum folge kaja geboren created

nur tuğba namlı apar topar hastaneye kaldırıldı hakan ural son - Dec 28 2021

web jun 22 2022 neler oluyor hayatta programında sunuculuk yapan nur tuğba namlı sağlık sorunları yaşarken bir anda hastaneye kaldırıldı programdaki partneri hakan ural bütün gerçekleri açıkladı İşte detaylar

[notärztin andrea bergen folge 1262 unterm tannenbaum](#) - Aug 16 2023

web notärztin andrea bergen folge 1262 unterm tannenbaum geboren by kaja stern dream networkonair com author laurenz schierokauer dream networkonair com subject notärztin andrea bergen folge 1262 unterm tannenbaum geboren by kaja stern dream networkonair com keywords notärztin andrea bergen folge 1262 by kaja stern

notarztin andrea bergen folge 1262 unterm tannenb book - Nov 07 2022

web holl notarztin andrea bergen hier bekommen sie alle und das zum günstigen angebotspreis dieser sammelband enthält die folgenden romane chefarzt dr holl 1783 vor angst gelähmt notarztin andrea bergen 1262 unterm tannenbaum geboren dr stefan frank 2216 gemeine lügen dr karsten fabian

notärztin andrea bergen folge 1262 unterm tannenbaum - Dec 08 2022

web dec 9 2014 lass mich raus gregor bitte verzweifelt h 228 mmert die h 252 bsche anna gegen die t 252 r des badezimmers doch dahinter bleibt alles still dr gregor borger hat das haus bereits verlassen und ist in seinem schweren wagen zornig davongebraust l 228 ngst ist er auf dem weg zu seiner

notärztin andrea bergen folge 1262 unterm tannenbaum - Mar 11 2023

web notarztin andrea bergen folge 1262 book read reviews from world s largest community for readers lass mich raus gregor bitte verzweifelt hämmert

notärztin andrea bergen folge 1262 apple books - Feb 10 2023

web notarztin andrea bergen folge 1262 kaja stern 2 99 2 99 publisher description lass mich raus gregor bitte verzweifelt hämmert die hübsche anna gegen die tür des badezimmers doch dahinter bleibt alles still notarztin andrea bergen 1267 2015 notarztin andrea bergen 1268 2015 more ways to shop find an apple store or

vector mechanics for engineers statics and dynamics 10th chegg - Jul 20 2023

web vector mechanics for engineers statics and dynamics 10th edition isbn 13 9780077531232 isbn 007753123x authors jr johnston e russell johnston ferdinand p beer david mazurek ferdinand beer rent buy this is an alternate isbn

beer vector mechanics for engineers dynamics 10th solutions maual - Sep 22 2023

web beer vector mechanics for engineers dynamics 10th solutions maual beer vector mechanics for engineers dynamics 10th solutions maual by aaronjames cunningham see full pdf download pdf create a free academia edu account access 47 million research papers for free keep up to date with the latest research

solution manual vector mechanics for engineers statics beer johnston - Nov 12 2022

web jun 6 2019 beer vector mechanics for engineers statics 10th solutions zahid angah 2 3k views 2 1 adding forces by the parallelogram law valerie felton 21 views chapter 5 aryaanuj1 1 5k views antwoordenboek statica marieke pouwels 4 5k recently uploaded 20 rmf2023 jackie carter pptx zzalszjc 84 views laundry

engineering mechanics statics 10th beer johnston pdf - May 06 2022

web for engineers statics manual solutions pdf free free download vector mechanics for engineers 10th edition with solution by beer johnston chapter 2 force vectors

chapter 2 solution statics beer n johnston 10 th ed academia edu - Jun 19 2023

web download pdf chapter 2 ff problem 2 1 two forces are applied at point b of beam ab determine graphically the magnitude and direction of their resultant using a the parallelogram law b the triangle rule

solutions for vector mechanics for engineers statics and dynamics 10th - Aug 21 2023

web step by step video answers explanations by expert educators for all vector mechanics for engineers statics and dynamics 10th by ferdinand beer jr e russell johnston david mazurek only on numerade com

downloadable free pdfs beer johnston statics solution manual 10th - Aug 09 2022

web beer johnston statics solution manual 10th vector mechanics for engineers jun 13 2020 continuing in the spirit of its successful previous editions the tenth edition of beer johnston mazurek and cornwell s vector mechanics for engineers provides conceptually

johnston beer vector mechanics for engineers statics 6 edition solutions - Sep 10 2022

web 2018 10 25 17 38 44 identifier johnstonbeervectormechanicsforengineersstatics6 editionsolutions identifier ark ark 13960 t7xm5mh87 ocr abby finereader 11 0 extended ocr ppi 400 scanner internet archive html5 uploader 1 6 3 mechanics [solutions manual to accompany beer johnston vector](#) - Feb 15 2023

web solutions manual to accompany beer johnston vector mechanics for engineers ferdinand pierre beer google books solutions manual to accompany beer johnston vector

solution manual statics beer 10th copy frebe chulavistaca - Apr 05 2022

web guest 1 2 solution manual statics beer 10th solution manual statics beer 10th the revision of their classic mechanics of materials text features a new and updated design and art program almost every homework problem is new or revised and extensive content revisions and text reorganizations have been made

solution manual statics 12th edition by beer johnston - Jun 07 2022

web solution manual statics 12th edition by beer johnston solution manual for vector mechanics for engineers statics 12th edition author s ferdinand p beer e russell johnston david mazurek phillip cornwell contact me in order to access the whole complete document email solution9159 gmail com whatsapp wa me message

beer vector mechanics for engineers statics 10th solutions - Oct 23 2023

web solution manual of vector mechanics for engineers statics 8th edition by beer johnston and eisenberg by shovon pdf documents

beer vector mechanics for engineers dynamics 10th solutions - May 18 2023

web chapter 1 and 2 problem 9 31 problem 3 79 use complete sentences when speaking macmillan mcgraw hill attachment □ use complete sentences when writing proprietary material 2007 the mcgraw human ear key math 142 hand in

solution manual of mechanics of material by beer johnston - Oct 11 2022

web 1 of 1188 solution manual of mechanics of material by beer johnston download as a pdf or view online for free
solution manual of mechanics of material by beer johnston - Mar 04 2022

web mechanics of materials solution manual 3 rd ed by beer johnston dewolf documents mechanics of materials beer johnston 3rd instructor solution manual 1471 s documents 5th beer johnston engineering 28483517 beer johnston mechanics of materials solution manual 3rd ed documents

quora a place to share knowledge and better understand the world - Dec 13 2022

web we would like to show you a description here but the site won t allow us

beer johnston statics solution manual 10th book - Jan 14 2023

web student solutions manual for larson s trigonometry 10th nov 10 2020 this guide offers step by step solutions for all odd numbered text exercises chapter and cumulative tests and practice tests with solutions giving you a way to check your answers

solution manual dynamics beer 10th edition vdocuments mx - Jul 08 2022

web jun 5 2018 solution manual dynamics beer 10th edition page 2 beer dynamics 10th solution manual vector mechanics for engineers dynamics 10th editionnote taking and highlighting while reading vector mechanics for engineers the solution manual 12 965 likes 122 talking about this

beer and johnston statics solutions 10th edition pdf - Mar 16 2023

web 1 introduction 2 statics of particles 3 rigid bodies equivalent systems of forces 4 equilibrium of rigid bodies 5 distributed forces centroids and centers of gravity 6 analysis of structures 7 internal forces and moments 8 friction 9 distributed forces moments of inertia 10 method of virtual work 11 kinematics of particles

solution manual of vector mechanics for engineers statics and - Apr 17 2023

web may 28 2021 solution manual of vector mechanics for engineers statics and dynamics 11th edition by beer by brooklynxz issuu download full file from buklibry com instructor 39 s and solutions

second edition dhruvgrewal phd michael levy phd christo - Apr 30 2023

web we pay for second edition dhruvgrewal phd michael levy phd and numerous ebook collections from fictions to scientific research in any way in the middle of them is this second edition dhruvgrewal phd michael levy phd that can be your partner
second edition dhruvgrewal phd michael levy phd 2022 - Oct 25 2022

web marketing text to be writtensecond edition dhruvgrewal phd michael levymarketing 2nd edition by dhruv grewal michael levy shane mathews paul harrigan tania bucic founla kopanidis and publisher mcgraw hill australia save up to 80 by choosing the etextbook option for isbn 9781760421816 1760421812

pdf second edition dhruvgrewal phd michael levy phd - Oct 05 2023

web second edition dhruvgrewal phd michael levy phd addiction medicine jul 10 2020 among australians use of alcohol and other drugs is almost ubiquitous and results in 13 of total morbidity but clinicians generally receive limited training in diagnosis and management of substance use disorders

second edition dhruvgrewal phd michael levy phd pdf usa - Dec 27 2022

web management is proud to welcome dhruv grewal toyota chair of commerce and electronic business and professor of marketing at babson college to the 9th edition author team dhruv brings years of academic experience and close collaborations with michael levy to co author several retailing

second edition dhruvgrewal phd michael levy phd christo - Feb 14 2022

web collections second edition dhruvgrewal phd michael levy phd that we will extremely offer it is not regarding the costs its more or less what you obsession currently this second edition dhruvgrewal phd michael levy phd as one of the most functioning sellers here will agreed be along with the best options to review the marketing book

second edition dhruvgrewal phd michael levy instruction - Aug 23 2022

web nov 20 2020 second edition dhruvgrewal phd michael levy marketing 2nd edition by dhruv grewal michael levy shane mathews paul harrigan tania bucic foula kopanidis and publisher mcgraw hill australia save up to 80 by choosing the etextbook option for isbn the print version

second edition dhruvgrewal phd michael levy phd - Aug 03 2023

web phd michael levy phd second edition dhruvgrewal phd michael levy phd simple way to get the amazing book from experienced author download and read second edition dhruvgrewal phd michael levy second edition

second edition dhruvgrewal phd michael levy phd kenneth c - Jun 01 2023

web environment the new edition of this popular pioneering text incorporates the latest cutting edge research and current business practices including extensive coverage of social media influences increased consumer power emerging neuroscience findings and emotion in consumer decision making in addition the sixth edition includes an increased

second edition dhruvgrewal phd michael levy phd download - Feb 26 2023

web second edition dhruvgrewal phd michael levy phd book detail page american college of healthcare executives philosophy of science for nursing practice second edition

m 5th edition by dhruv grewal professor michael levy lc2 ebay - Jan 28 2023

web 25 25 pre owned 5 07 make an offer pre owned new other lowest price 20 00 5 25 shipping get it by tue may 23 sat may 27 from gilbert arizona like new condition 14 day returns buyer pays return shipping fast shipping with tracking see details m marketing paperback dhruv levy michael grewal

avni education psychology for rpssc second grade by dheer - May 20 2022

successfully manage customer seller relationships asia pacific advances in consumer research jones