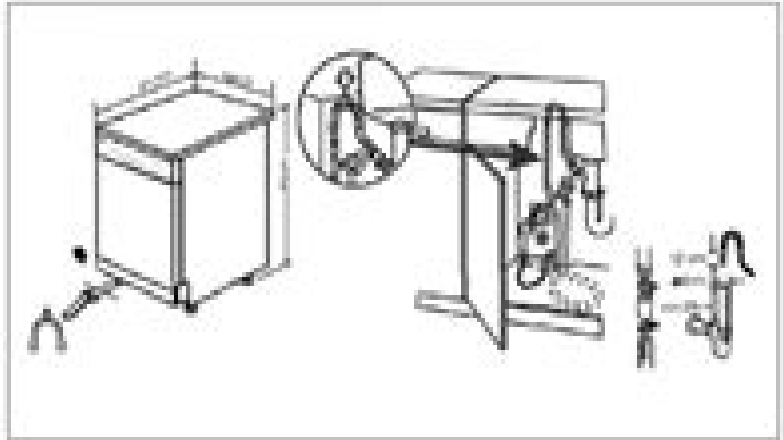


## Installation

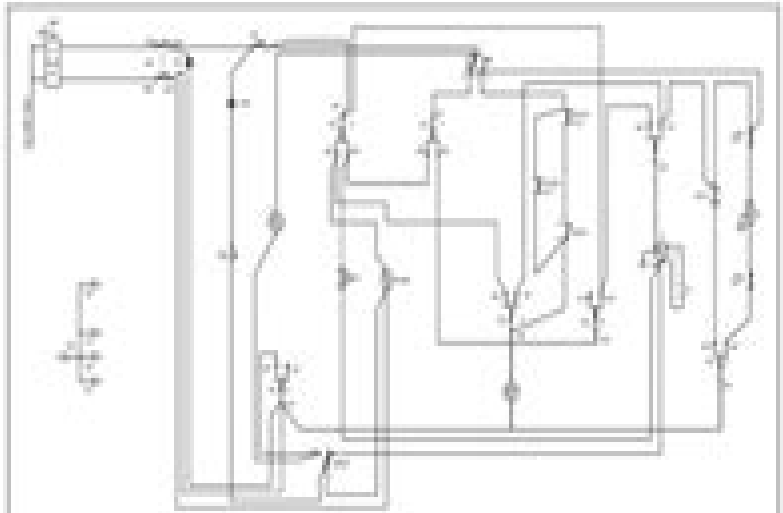


# Haier

Domestic Dishwasher  
DW12-AFM3



## Diagram



WB: Wiring box SI: Power switch DI: Door switch FI: Water level switch  
LI: Power indicator LSS: Locking switch SS: Softener switch P: Drain pump EV1: Inlet valve  
D-ED: Detergent ECO: Economic wash switch T1: 95°C temperature controller  
T2: 65°C temperature controller T3: Temperature factor H: Heater EV2: Softener valve  
M: Washing motor MC: Thermostat LAQ: overflow switch



Code: 0120504985

# Haier Hltd7 User Manual

**Brendan G. Carr**



## Haier Hltd7 User Manual:

**User Manual** ,1998    HOOD user manual European Space Agency (ESA),1989    User's manual ,1991  
**GREAT-ER User Manual** ,1999    *HCAP.* ,1979    *HVOSM User's Manual. Interim Report* M. E. James (Jr),H. E. Ross (Jr),1974    *TCAP.* ,1979    HXi860 Tools ,1991    *User's Manual, [my] PD70108, [my] PD70116* NEC Electronics (Europe),1985    **HAP-PRO User's Manual** Scott Moore,United States. Environmental Protection Agency. Emission Standards and Engineering Division,Air and Energy Engineering Research Laboratory,Center for Environmental Research Information (U.S.),United States. Environmental Protection Agency. Control Technology Center,1992    User's Manual for the List of Parts ,1967    **Hextran User's Manual** Simulation Sciences, Inc,1982    *H-IIA User's Manual* NASDA.,Office of Space Transportation Systems,1997    *DB/cockpit* ,199?    **USER'S MANUAL** NCR.,1984    **Grips online user manual** ,  
**Larson A7t User Manual Htest-Apple** Larson,1986-01-01    **Logitech C7 Mouse User's Manual** Logitech, Inc,1987    User's Manual and Student Guide Ihsan Basin,1993    **HD6301V1 User's Manual** Hitachi America,198?

## Unveiling the Power of Verbal Artistry: An Mental Sojourn through **Haier Hltd7 User Manual**

In some sort of inundated with monitors and the cacophony of fast transmission, the profound energy and emotional resonance of verbal beauty usually disappear into obscurity, eclipsed by the continuous assault of noise and distractions. However, set within the lyrical pages of **Haier Hltd7 User Manual**, a charming perform of literary elegance that impulses with fresh thoughts, lies an remarkable trip waiting to be embarked upon. Penned by a virtuoso wordsmith, that enchanting opus instructions readers on a psychological odyssey, delicately exposing the latent potential and profound affect stuck within the intricate web of language. Within the heart-wrenching expanse with this evocative examination, we shall embark upon an introspective exploration of the book is central themes, dissect their charming writing model, and immerse ourselves in the indelible impact it leaves upon the depths of readers souls.

[http://www.armchairempire.com/results/virtual-library/fetch.php/Lochner\\_V\\_New\\_York\\_Economic\\_Regulation\\_On\\_Trial.pdf](http://www.armchairempire.com/results/virtual-library/fetch.php/Lochner_V_New_York_Economic_Regulation_On_Trial.pdf)

### **Table of Contents Haier Hltd7 User Manual**

1. Understanding the eBook Haier Hltd7 User Manual
  - The Rise of Digital Reading Haier Hltd7 User Manual
  - Advantages of eBooks Over Traditional Books
2. Identifying Haier Hltd7 User Manual
  - Exploring Different Genres
  - Considering Fiction vs. Non-Fiction
  - Determining Your Reading Goals
3. Choosing the Right eBook Platform
  - Popular eBook Platforms
  - Features to Look for in an Haier Hltd7 User Manual
  - User-Friendly Interface
4. Exploring eBook Recommendations from Haier Hltd7 User Manual
  - Personalized Recommendations

- Haier Hltd7 User Manual User Reviews and Ratings
- Haier Hltd7 User Manual and Bestseller Lists
- 5. Accessing Haier Hltd7 User Manual Free and Paid eBooks
  - Haier Hltd7 User Manual Public Domain eBooks
  - Haier Hltd7 User Manual eBook Subscription Services
  - Haier Hltd7 User Manual Budget-Friendly Options
- 6. Navigating Haier Hltd7 User Manual eBook Formats
  - ePub, PDF, MOBI, and More
  - Haier Hltd7 User Manual Compatibility with Devices
  - Haier Hltd7 User Manual Enhanced eBook Features
- 7. Enhancing Your Reading Experience
  - Adjustable Fonts and Text Sizes of Haier Hltd7 User Manual
  - Highlighting and Note-Taking Haier Hltd7 User Manual
  - Interactive Elements Haier Hltd7 User Manual
- 8. Staying Engaged with Haier Hltd7 User Manual
  - Joining Online Reading Communities
  - Participating in Virtual Book Clubs
  - Following Authors and Publishers Haier Hltd7 User Manual
- 9. Balancing eBooks and Physical Books Haier Hltd7 User Manual
  - Benefits of a Digital Library
  - Creating a Diverse Reading Collection Haier Hltd7 User Manual
- 10. Overcoming Reading Challenges
  - Dealing with Digital Eye Strain
  - Minimizing Distractions
  - Managing Screen Time
- 11. Cultivating a Reading Routine Haier Hltd7 User Manual
  - Setting Reading Goals Haier Hltd7 User Manual
  - Carving Out Dedicated Reading Time
- 12. Sourcing Reliable Information of Haier Hltd7 User Manual
  - Fact-Checking eBook Content of Haier Hltd7 User Manual

- Distinguishing Credible Sources
13. Promoting Lifelong Learning
- Utilizing eBooks for Skill Development
  - Exploring Educational eBooks
14. Embracing eBook Trends
- Integration of Multimedia Elements
  - Interactive and Gamified eBooks

## **Haier Hltd7 User Manual Introduction**

In today's digital age, the availability of Haier Hltd7 User Manual books and manuals for download has revolutionized the way we access information. Gone are the days of physically flipping through pages and carrying heavy textbooks or manuals. With just a few clicks, we can now access a wealth of knowledge from the comfort of our own homes or on the go. This article will explore the advantages of Haier Hltd7 User Manual books and manuals for download, along with some popular platforms that offer these resources. One of the significant advantages of Haier Hltd7 User Manual books and manuals for download is the cost-saving aspect. Traditional books and manuals can be costly, especially if you need to purchase several of them for educational or professional purposes. By accessing Haier Hltd7 User Manual versions, you eliminate the need to spend money on physical copies. This not only saves you money but also reduces the environmental impact associated with book production and transportation. Furthermore, Haier Hltd7 User Manual books and manuals for download are incredibly convenient. With just a computer or smartphone and an internet connection, you can access a vast library of resources on any subject imaginable. Whether you're a student looking for textbooks, a professional seeking industry-specific manuals, or someone interested in self-improvement, these digital resources provide an efficient and accessible means of acquiring knowledge. Moreover, PDF books and manuals offer a range of benefits compared to other digital formats. PDF files are designed to retain their formatting regardless of the device used to open them. This ensures that the content appears exactly as intended by the author, with no loss of formatting or missing graphics. Additionally, PDF files can be easily annotated, bookmarked, and searched for specific terms, making them highly practical for studying or referencing. When it comes to accessing Haier Hltd7 User Manual books and manuals, several platforms offer an extensive collection of resources. One such platform is Project Gutenberg, a nonprofit organization that provides over 60,000 free eBooks. These books are primarily in the public domain, meaning they can be freely distributed and downloaded. Project Gutenberg offers a wide range of classic literature, making it an excellent resource for literature enthusiasts. Another popular platform for Haier Hltd7 User Manual books and manuals is Open Library. Open Library is an initiative of the Internet Archive, a non-profit

organization dedicated to digitizing cultural artifacts and making them accessible to the public. Open Library hosts millions of books, including both public domain works and contemporary titles. It also allows users to borrow digital copies of certain books for a limited period, similar to a library lending system. Additionally, many universities and educational institutions have their own digital libraries that provide free access to PDF books and manuals. These libraries often offer academic texts, research papers, and technical manuals, making them invaluable resources for students and researchers. Some notable examples include MIT OpenCourseWare, which offers free access to course materials from the Massachusetts Institute of Technology, and the Digital Public Library of America, which provides a vast collection of digitized books and historical documents. In conclusion, Haier Hltd7 User Manual books and manuals for download have transformed the way we access information. They provide a cost-effective and convenient means of acquiring knowledge, offering the ability to access a vast library of resources at our fingertips. With platforms like Project Gutenberg, Open Library, and various digital libraries offered by educational institutions, we have access to an ever-expanding collection of books and manuals. Whether for educational, professional, or personal purposes, these digital resources serve as valuable tools for continuous learning and self-improvement. So why not take advantage of the vast world of Haier Hltd7 User Manual books and manuals for download and embark on your journey of knowledge?

## **FAQs About Haier Hltd7 User Manual Books**

**What is a Haier Hltd7 User Manual PDF?** A PDF (Portable Document Format) is a file format developed by Adobe that preserves the layout and formatting of a document, regardless of the software, hardware, or operating system used to view or print it. **How do I create a Haier Hltd7 User Manual PDF?** There are several ways to create a PDF: Use software like Adobe Acrobat, Microsoft Word, or Google Docs, which often have built-in PDF creation tools. Print to PDF: Many applications and operating systems have a "Print to PDF" option that allows you to save a document as a PDF file instead of printing it on paper. Online converters: There are various online tools that can convert different file types to PDF. **How do I edit a Haier Hltd7 User Manual PDF?** Editing a PDF can be done with software like Adobe Acrobat, which allows direct editing of text, images, and other elements within the PDF. Some free tools, like PDFescape or Smallpdf, also offer basic editing capabilities. **How do I convert a Haier Hltd7 User Manual PDF to another file format?** There are multiple ways to convert a PDF to another format: Use online converters like Smallpdf, Zamzar, or Adobe Acrobats export feature to convert PDFs to formats like Word, Excel, JPEG, etc. Software like Adobe Acrobat, Microsoft Word, or other PDF editors may have options to export or save PDFs in different formats. **How do I password-protect a Haier Hltd7 User Manual PDF?** Most PDF editing software allows you to add password protection. In Adobe Acrobat, for instance, you can go to "File" ->

"Properties" -> "Security" to set a password to restrict access or editing capabilities. Are there any free alternatives to Adobe Acrobat for working with PDFs? Yes, there are many free alternatives for working with PDFs, such as: LibreOffice: Offers PDF editing features. PDFsam: Allows splitting, merging, and editing PDFs. Foxit Reader: Provides basic PDF viewing and editing capabilities. How do I compress a PDF file? You can use online tools like Smallpdf, ILovePDF, or desktop software like Adobe Acrobat to compress PDF files without significant quality loss. Compression reduces the file size, making it easier to share and download. Can I fill out forms in a PDF file? Yes, most PDF viewers/editors like Adobe Acrobat, Preview (on Mac), or various online tools allow you to fill out forms in PDF files by selecting text fields and entering information. Are there any restrictions when working with PDFs? Some PDFs might have restrictions set by their creator, such as password protection, editing restrictions, or print restrictions. Breaking these restrictions might require specific software or tools, which may or may not be legal depending on the circumstances and local laws.

### **Find Haier Hltd7 User Manual :**

[lochner v new york economic regulation on trial](#)

**lombardini 530 manual**

**londons east end through time**

**loan processor training manual**

*logic a graphic guide*

**lockie leonard legend teaching guide**

**lonely planet trans siberian railway travel guide**

[locating earthquake epicenter lab answer key](#)

[longranger helicopter flight manual](#)

~~loom band elephant instructions~~

[lonely planet venice & the veneto travel guide](#)

~~logic book solutions manual 5th edition~~

~~logic in computer science logic in computer science~~

[locus of control current trends in theory and research](#)

[logic based program synthesis and transformation logic based program synthesis and transformation](#)



**Haier Hltd7 User Manual :**

common technical specification for all our castings - Dec 27 2021

web physical properties depend on operating temperatures and the exact nickel composition of the sg iron alloy however typical values for the austenitic ni resist grade d5s are detailed below castings plc ni resist ductile iron conforms to astm as71 1984 grade d5s en gjsa xnisicr35 5 2 bs 3468 1986 din 1694 ggg nisicr35 5 2 typical chemical

**sg iron casting grades and standards iron foundry** - Apr 11 2023

web sg iron is a type of cast iron that has been treated while molten with an element such as magnesium or cerium to induce the formation of free graphite as nodules or spherulites the followings are the grade requirement to the chemical components and physical properties and also grade comparison chart

**bs2789 grade 500 7 sg iron iron foundry** - Jun 13 2023

web chemical analysis carbon 3 40 3 85 phosphorous 0 10 max manganese 0 10 0 30 sulphur 0 02 max silicon 2 30 3 10 magnesium 0 07 max applications bs2789 grade 500 7 is suited for applications such as gears pistons valve bodies dies and moulds and for applications that require good noise and vibration damping mechanical properties

*mechanical properties of sg iron with different matrix structure* - Jul 02 2022

web mar 1 2001 abstract spheroidal graphite sg irons with a variety of matrix structure have been produced the correlation between tensile properties impact toughness hardness and pearlite content is

*sg500 7 is worldwide equivalent grades steel number* - Dec 07 2022

web cross reference table for cast iron sg500 7 is and its european equivalent en gjs 500 7 5 3200 en european equivalent grade for spheroidal graphite cast iron sg500 7 is en gjs 500 7 5 3200 chemical composition and properties of european equivalents en for sg500 7 india is en gjs 500 7 5 3200

**effect of basic chemical element in sgi ductile iron** - Jun 01 2022

web s g cast iron is defined as a high carbon containing iron based alloy in which the graphite is present in compact spherical shapes rather than in the shape of flakes the latter being typical of gray cast iron as nodular or spheroidal graphite cast iron sometimes referred to as ductile iron constitutes a family of cast irons in which the

en gjs 500 7 5 3200 steelnumber chemical composition - Mar 10 2023

web chemical composition of cast iron en gjs 500 7 5 3200 standards of cast iron en gjs 500 7 5 3200 mechanical properties of cast iron en gjs 500 7 5 3200 equivalent grades of cast iron en gjs 500 7 5 3200 cast iron en gjs 500 7 5 3200 tensile strength elongation proof strength hardness

**sg500 7 india cast iron equivalent grades** - Mar 30 2022

web country india standard is grade sg500 7 vch50 B450 cast iron with spheroidal graphite vch50 B450 vch50 B450 all

equivalent grades chemical composition mechanical and technological properties types of delivery of grade vch50 B450 B81 castings of cast iron gray and malleable cast iron

**ductile iron wikipedia** - Aug 03 2022

web ductile iron also known as ductile cast iron nodular cast iron spheroidal graphite iron spheroidal graphite cast iron 1 and sg iron is a type of graphite rich cast iron discovered in 1943 by keith millis 2 while most varieties of cast iron are weak in tension and brittle ductile iron has much more impact and fatigue resistance due

**bs2789 casting 500 7 sg iron kohli iron steel store** - Oct 05 2022

web sometimes referenced as a adaptable adamant bs2789 casting 500 7 is a spheroidal graphite adamant that offers bigger strength chafe attrition and hardening capabilities to that of 400 15 or 420 12 s g adamant grades

**chemical composition of spheroidal graphite sg500 7** - Jan 08 2023

web download table chemical composition of spheroidal graphite sg500 7 from publication optimization of machining parameter on surface roughness in drilling of sg 500 7 material a

**uni 4544 gs500 7 ductile cast iron iron foundry** - May 12 2023

web uni 4544 gs500 7 ductile cast iron the sg iron grade gs500 7 in standard uni 4544 is also known as grade 500 7 iso 1083 qt500 7 gb 1348 and 70 50 05 astm a536 this material grade is also equal to ggg50 din 1693 en gjs 500 7 en 1563 fcd 500 jis g5502 500 7 bs 2789 etc

**is 1865 1991 iron castings with spheroidal or nodular graphite** - Feb 26 2022

web the following six grades of spheroidal cast iron for this category are sg 700 2a sg 600 3a sg 500 7a sg 400 15a sg 400 i8a and sg 350 22a 3 2 1 these grades normally apply to castings of thickness between 30 mm and 200 mm and with a unit mass greater than 2 000 kg

**en gjs 500 7 ductile cast iron ggg50 iron foundry** - Sep 04 2022

web the normal chemical composition for this grade is as the following c 2 7 3 7 si 0 8 2 9 mn 0 3 0 7 p 0 1 s 0 02 the chemical composition has big difference in different standards all compositions are just for reference

**sg iron grades pdf cast iron ductility scribd** - Jan 28 2022

web sg iron is also called as spheroidal graphite cast iron in usa they are also called as ductile iron there are many different sg iron grades in different countries and standards however most of grades have similar requirements to the mechanical properties especially to tensile strength yield strength and elongation

*india is 1865 sg500 7 sg 500 7 datasheet chemical composition* - Jul 14 2023

web chemical composition mass fraction wt of the sg 500 7 element min max similar the data is being updated mechanical properties of steel grade sg 500 7 physical properties of steel grade sg 500 7 heat treatment of steel grade sg 500 7 heat

treated 1491 c 1214 c technological curves of steel grade sg 500 7 no curve  
en gjs 500 7 grade 500 7 sg iron steel express - Feb 09 2023

web en gjs 500 7 is an sg iron grade containing graphite nodules or spheres spheroidal graphite the rounded graphite nodules produces a more ductile cast iron that inhibits the formation of cracks sg iron such as en gjs 500 7 has a greater fatigue and impact resistance compared to grey iron

**500 7 sg iron data sheet west yorkshire steel co ltd** - Aug 15 2023

web keywords bs2789 grade 500 7 s g iron stockholders and suppliers delivering to the whole of the uk west yorkshire steel are suppliers of 500 7 sg iron continuous cast bar available in diameters and a limited range of flat sections sometimes referenced as a

*500 7 sg iron in stock on time delivery uk supplier* - Apr 30 2022

web sometimes referenced as a ductile iron bs2789 grade 500 7 is a spheroidal graphite iron that offers better strength wear resistance and hardening capabilities to that of 400 15 or 420 12 s g iron grades we welcome export enquiries for sg iron bar contact our sales office and consult our shipping policy for further details related specifications

studies on mechanical behavior of sg iron and grey cast iron - Nov 06 2022

web sg iron 500 7 chemical composition carbon 3 28 3 55 3 44 3 47 silicon 1 87 2 09 2 16 2 14 manganese 0 867 0 477 0 476 0 272 copper 0 456 0 553 0 472 0 557 sulphur 0 0866 0 0116 0 0133 0 00846 phosphorus 0 0472 0 0251 0 0230 0 0232 nickel 0 0986 0 0229 0 0162 0 0199 changes are made only in the major elements of

**30 mother daughter quotes and sayings to show mom some love** - Jan 27 2023

web jun 29 2023 these inspiring mother s day quotes will mean so much to mom coming from her daughter and if you re not quite into the mushy sentimental stuff don t worry there are plenty of funny mother daughter quotes because we all know that one of the best things we do with mom is laugh

**the mother daughter bond psychology today** - Dec 26 2022

web the mother daughter bond the resiliency of this relationship isn t unique some 80 to 90 percent of women at midlife report good relationships with their mothers though they wish it were better

*the top 10 stories of mothers and daughters* - Feb 25 2023

web sep 17 2014 mother daughter relationships have been my preoccupation over the past 20 years so it is no surprise that my first two novellas magda and clara s daughter both deal with that subject

**125 mother daughter quotes to show your loving bond with** - Aug 02 2023

web may 13 2023 sweet mother daughter quotes 1 a daughter is someone you laugh with dream with and love with all your heart anonymous 2 my mom taught me a woman s mind should be the most

mothers and adult daughters building a healthy relationship - May 31 2023

web feb 24 2019 although mother daughter relationships are often idealized in our minds in reality they are frequently complex and surprisingly complicated they are also highly varied

**30 mother daughter quotes that are full of love today** - Oct 04 2023

web mar 29 2023 60 father daughter quotes 30 mother daughter quotes whether you re looking for mother daughter quotes for your mother s day card an instagram post or simply to show mom how much she is

**mother daughter quotes 101 quotes that are as perfect as** - Jul 01 2023

web apr 9 2019 make her smile with these concise and kind mother daughter quotes a mother is a daughter s best friend unknown a mother s treasure is her daughter catherine pulsifer happiness is mother and daughter time unknown always love your mother because you will never get another unknown

**60 mother daughter quotes to express your love oprah daily** - Mar 29 2023

web may 6 2022 and though any parent child relationship is undeniably deep the connection between a mother and daughter is unlike any other mother daughter relationships are complex there s a tenderness born in the inherent similarities you share

**mother daughter quotes 60 mom and daughter quotes to share** - Apr 29 2023

web apr 28 2022 funny mother daughter quotes 1 of all the haunting moments of motherhood few rank with hearing your own words come out of your daughter s mouth victoria secunda 2 mother daughter

29 tips to improve your mother daughter relationship psych central - Sep 03 2023

web jul 21 2021 29 tips to improve your mother daughter relationship if you have a broken mother daughter relationship or just need to heal the bond these 29 actionable tips will help you both create

*concorso pubblico a 120 posti di commissario polizia di stato* - Apr 26 2023

web dec 7 2021 la prova preselettiva del concorso pubblico per titoli ed esami a 140 posti di commissario della carriera dei funzionari della polizia di stato si svolgerà presso

**concorso 120 posti di commissario convocazione fsp** - Aug 19 2022

web aug 6 2020 le prove scritte del concorso si terranno nei giorni 1 e 2 ottobre 2020 alle ore 8 00 presso l ergife palace hotel sito in roma via aurelia n 619 dalle ore 15 00 alle

concorso commissari di polizia per 120 posti altalex - Jul 18 2022

web jul 14 2021 allievo commissario polizia penitenziaria 24 giugno 2021 concorso per 120 posti elevati a 132 scheda di sintesi avviso 5 luglio 2023 decreto dirigenziale 5

concorso pubblico per titoli ed esami per l polizia di stato - Oct 01 2023

web feb 17 2023 sul portale unico del reclutamento accessibile all indirizzo inpa gov it è stato pubblicato il bando di concorso pubblico per titoli ed esami per l assunzione di

concorso per 120 commissari di polizia di stato concorsi pubblici - Apr 14 2022

web dec 3 2019 eventuali ulteriori informazioni riguardanti la sede la data e l ora della citata prova preselettiva saranno pubblicate sul sito istituzionale della polizia di stato il 31

concorso 120 commissari graduatoria finale fsp polizia di stato - Nov 09 2021

concorso pubblico per titoli ed esami per l polizia di stato - Jan 24 2023

web dec 4 2019 4 dicembre 2019 08 55 concorsi pubblici bando per 120 commissari della polizia di stato pubblicato in gazzetta ufficiale c è tempo fino al 2 gennaio per

**concorso 120 commissari polizia di stato simone concorsi** - Mar 14 2022

web jun 23 2023 concorso 120 commissari polizia penitenziaria elevato a 132 posti e stato pubblicato nel sito della giustizia un avviso riguardante il concorso pubblico per

**concorso 120 commissari nuove date di fsp polizia di stato** - Dec 11 2021

web aprile 16 2021 concorso 120 commissari graduatoria finale il dagep ha teste comunicato che in data odierna sara pubblicata sul sito

**concorso 120 commissari graduatoria definitiva** - Aug 31 2023

web dec 3 2019 la prova preselettiva del concorso pubblico per titoli ed esami a 120 posti di commissario della carriera dei funzionari della polizia di stato si svolgerà presso la

**concorso commissari polizia 2023 140 posti bando laureati** - Oct 21 2022

web sep 15 2020 superato gli accertamenti attitudinali del concorso pubblico per titoli ed esami per il conferimento di 120 posti di commissario della carriera dei funzionari

ministero della giustizia allievo commissario polizia - Jun 16 2022

web dec 4 2019 il bando di concorso pubblico per titoli ed esami per il conferimento di 120 posti di commissario della polizia di stato è stato pubblicato sulla gazzetta della

**concorso pubblico per titoli ed esami per l polizia di** - Mar 26 2023

web jan 6 2022 concorso scad 6 gennaio 2022 concorso pubblico per titoli ed esami per la copertura di centoquaranta posti di commissario della carriera dei funzionari

gazzetta ufficiale - Feb 22 2023

web la prova preselettiva del concorso pubblico per titoli ed esami a 130 posti di commissario della carriera dei funzionari

della polizia di stato si svolgerà presso

**concorso 120 posti commissario approvazione fsp polizia** - May 28 2023

web feb 25 2020 concorso pubblico a 120 posti di commissario momentaneamente sospese le convocazioni agli accertamenti

*concorso 120 commissari prove scritte del 1 e fsp polizia* - Sep 19 2022

web jan 18 2020 oggetto concorso pubblico per titoli ed esami per la copertura di 120 posti di commissario della carriera dei funzionari della polizia di stato indetto con

previsto quale requisito di ammissione al concorso pubblico per - Nov 21 2022

web feb 20 2023 91shares È stato indetto il concorso della polizia 2023 per commissari della carriera dei funzionari della polizia di stato finalizzato alla copertura 140 posti di

*concorso 120 commissari polizia penitenziaria elevato a 132 posti* - Feb 10 2022

web mar 30 2021 nella gazzetta ufficiale della repubblica italiana 4 serie speciale concorsi ed esami del 30 marzo 2021 è pubblicato il bando del concorso pubblico

**concorso pubblico per titoli ed esami per il polizia** - Jul 30 2023

web jul 5 2023 e approvata la graduatoria dei candidati che hanno superato le prove di esame relative al concorso pubblico per la copertura di 120 posti elevati a 132 di

**concorso 120 commissari polizia di stato 2020 bando** - May 16 2022

web concorso per 120 commissari di polizia di stato È stato pubblicato sulla gazzetta ufficiale di martedì 3 dicembre 2019 il bando di concorso per 120 commissari della polizia di

concorso polizia di stato 120 commissari bando - Dec 23 2022

web titoli ed esami per il conferimento di 120 posti di commissario della carriera dei funzionari della polizia di stato indetto con decreto del capo della polizia direttore generale

**concorsi pubblicato bando per l assunzione di 130 commissari** - Jan 12 2022

web jul 22 2020 oggetto concorso pubblico per titoli ed esami per il conferimento di 120 posti di commissario della carriera dei funzionari della polizia di stato indetto con

decreto 5 luglio 2023 approvazione graduatoria concorso a 120 - Jun 28 2023

web feb 14 2020 concorso pubblico per esame per l assunzione di 1650 allievi agenti della polizia di stato indetto con decreto del capo della polizia direttore generale della