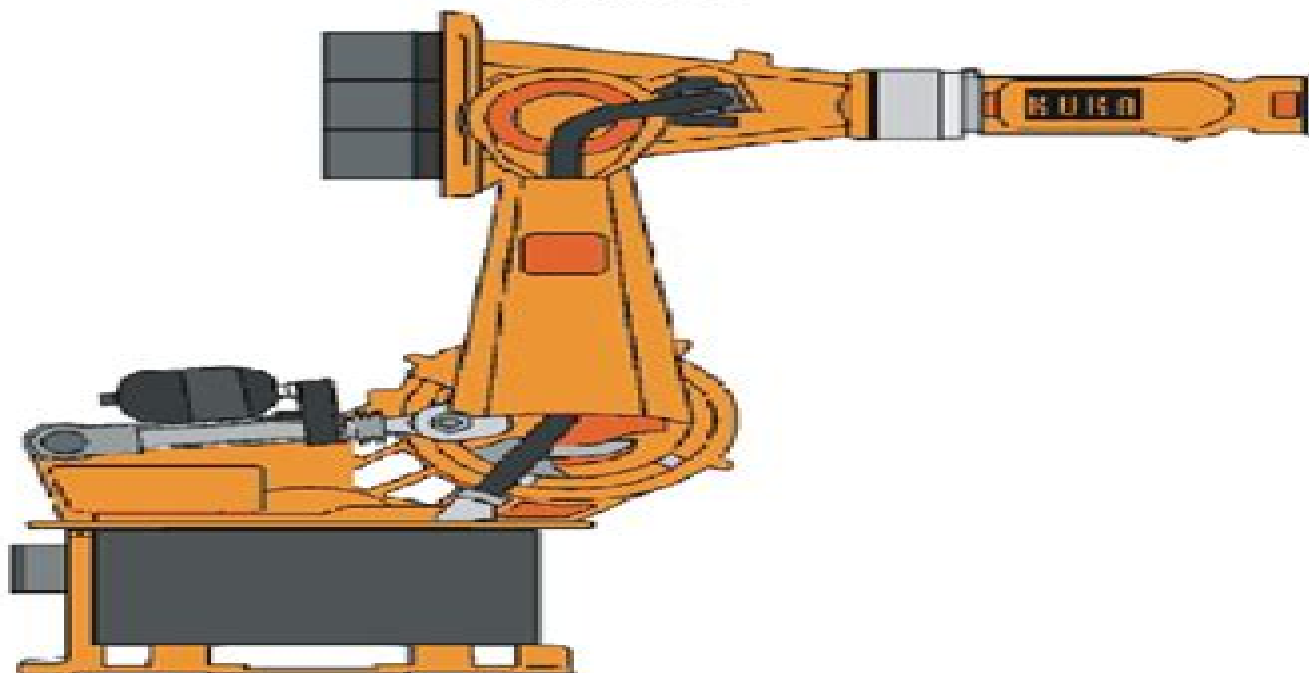


MANUAL DE OPERACIÓN DE ROBOT KUKA

VKRC1



Kuka Robot Manual

**Honghai Liu, Naoyuki
Kubota, Xiangyang Zhu, Rüdiger
Dillmann, Dalin Zhou**

Kuka Robot Manual:

Getting the books **Kuka Robot Manual** now is not type of inspiring means. You could not on your own going past ebook hoard or library or borrowing from your associates to contact them. This is an no question simple means to specifically get guide by on-line. This online pronouncement Kuka Robot Manual can be one of the options to accompany you in the manner of having additional time.

It will not waste your time. resign yourself to me, the e-book will totally publicize you new concern to read. Just invest tiny epoch to approach this on-line statement **Kuka Robot Manual** as without difficulty as evaluation them wherever you are now.

<http://www.armchairempire.com/files/detail/index.jsp/looking%20for%20mr%20goodbar%20coronet%20books.pdf>

Table of Contents Kuka Robot Manual

1. Understanding the eBook Kuka Robot Manual
 - The Rise of Digital Reading Kuka Robot Manual
 - Advantages of eBooks Over Traditional Books
2. Identifying Kuka Robot Manual
 - Exploring Different Genres
 - Considering Fiction vs. Non-Fiction
 - Determining Your Reading Goals
3. Choosing the Right eBook Platform
 - Popular eBook Platforms
 - Features to Look for in an Kuka Robot Manual
 - User-Friendly Interface
4. Exploring eBook Recommendations from Kuka Robot Manual
 - Personalized Recommendations
 - Kuka Robot Manual User Reviews and Ratings
 - Kuka Robot Manual and Bestseller Lists

5. Accessing Kuka Robot Manual Free and Paid eBooks
 - Kuka Robot Manual Public Domain eBooks
 - Kuka Robot Manual eBook Subscription Services
 - Kuka Robot Manual Budget-Friendly Options
6. Navigating Kuka Robot Manual eBook Formats
 - ePub, PDF, MOBI, and More
 - Kuka Robot Manual Compatibility with Devices
 - Kuka Robot Manual Enhanced eBook Features
7. Enhancing Your Reading Experience
 - Adjustable Fonts and Text Sizes of Kuka Robot Manual
 - Highlighting and Note-Taking Kuka Robot Manual
 - Interactive Elements Kuka Robot Manual
8. Staying Engaged with Kuka Robot Manual
 - Joining Online Reading Communities
 - Participating in Virtual Book Clubs
 - Following Authors and Publishers Kuka Robot Manual
9. Balancing eBooks and Physical Books Kuka Robot Manual
 - Benefits of a Digital Library
 - Creating a Diverse Reading Collection Kuka Robot Manual
10. Overcoming Reading Challenges
 - Dealing with Digital Eye Strain
 - Minimizing Distractions
 - Managing Screen Time
11. Cultivating a Reading Routine Kuka Robot Manual
 - Setting Reading Goals Kuka Robot Manual
 - Carving Out Dedicated Reading Time
12. Sourcing Reliable Information of Kuka Robot Manual
 - Fact-Checking eBook Content of Kuka Robot Manual
 - Distinguishing Credible Sources
13. Promoting Lifelong Learning

- Utilizing eBooks for Skill Development
 - Exploring Educational eBooks
14. Embracing eBook Trends
- Integration of Multimedia Elements
 - Interactive and Gamified eBooks

Kuka Robot Manual Introduction

In the digital age, access to information has become easier than ever before. The ability to download Kuka Robot Manual has revolutionized the way we consume written content. Whether you are a student looking for course material, an avid reader searching for your next favorite book, or a professional seeking research papers, the option to download Kuka Robot Manual has opened up a world of possibilities. Downloading Kuka Robot Manual provides numerous advantages over physical copies of books and documents. Firstly, it is incredibly convenient. Gone are the days of carrying around heavy textbooks or bulky folders filled with papers. With the click of a button, you can gain immediate access to valuable resources on any device. This convenience allows for efficient studying, researching, and reading on the go. Moreover, the cost-effective nature of downloading Kuka Robot Manual has democratized knowledge. Traditional books and academic journals can be expensive, making it difficult for individuals with limited financial resources to access information. By offering free PDF downloads, publishers and authors are enabling a wider audience to benefit from their work. This inclusivity promotes equal opportunities for learning and personal growth. There are numerous websites and platforms where individuals can download Kuka Robot Manual. These websites range from academic databases offering research papers and journals to online libraries with an expansive collection of books from various genres. Many authors and publishers also upload their work to specific websites, granting readers access to their content without any charge. These platforms not only provide access to existing literature but also serve as an excellent platform for undiscovered authors to share their work with the world. However, it is essential to be cautious while downloading Kuka Robot Manual. Some websites may offer pirated or illegally obtained copies of copyrighted material. Engaging in such activities not only violates copyright laws but also undermines the efforts of authors, publishers, and researchers. To ensure ethical downloading, it is advisable to utilize reputable websites that prioritize the legal distribution of content. When downloading Kuka Robot Manual, users should also consider the potential security risks associated with online platforms. Malicious actors may exploit vulnerabilities in unprotected websites to distribute malware or steal personal information. To protect themselves, individuals should ensure their devices have reliable antivirus software installed and validate the legitimacy of the websites they are downloading from. In conclusion, the ability to download Kuka Robot Manual has transformed the way we access information. With the convenience, cost-effectiveness,

and accessibility it offers, free PDF downloads have become a popular choice for students, researchers, and book lovers worldwide. However, it is crucial to engage in ethical downloading practices and prioritize personal security when utilizing online platforms. By doing so, individuals can make the most of the vast array of free PDF resources available and embark on a journey of continuous learning and intellectual growth.

FAQs About Kuka Robot Manual Books

What is a Kuka Robot Manual PDF? A PDF (Portable Document Format) is a file format developed by Adobe that preserves the layout and formatting of a document, regardless of the software, hardware, or operating system used to view or print it. **How do I create a Kuka Robot Manual PDF?** There are several ways to create a PDF: Use software like Adobe Acrobat, Microsoft Word, or Google Docs, which often have built-in PDF creation tools. Print to PDF: Many applications and operating systems have a "Print to PDF" option that allows you to save a document as a PDF file instead of printing it on paper. Online converters: There are various online tools that can convert different file types to PDF. **How do I edit a Kuka Robot Manual PDF?** Editing a PDF can be done with software like Adobe Acrobat, which allows direct editing of text, images, and other elements within the PDF. Some free tools, like PDFescape or Smallpdf, also offer basic editing capabilities. **How do I convert a Kuka Robot Manual PDF to another file format?** There are multiple ways to convert a PDF to another format: Use online converters like Smallpdf, Zamzar, or Adobe Acrobats export feature to convert PDFs to formats like Word, Excel, JPEG, etc. Software like Adobe Acrobat, Microsoft Word, or other PDF editors may have options to export or save PDFs in different formats. **How do I password-protect a Kuka Robot Manual PDF?** Most PDF editing software allows you to add password protection. In Adobe Acrobat, for instance, you can go to "File" -> "Properties" -> "Security" to set a password to restrict access or editing capabilities. Are there any free alternatives to Adobe Acrobat for working with PDFs? Yes, there are many free alternatives for working with PDFs, such as: LibreOffice: Offers PDF editing features. PDFsam: Allows splitting, merging, and editing PDFs. Foxit Reader: Provides basic PDF viewing and editing capabilities. How do I compress a PDF file? You can use online tools like Smallpdf, ILovePDF, or desktop software like Adobe Acrobat to compress PDF files without significant quality loss. Compression reduces the file size, making it easier to share and download. Can I fill out forms in a PDF file? Yes, most PDF viewers/editors like Adobe Acrobat, Preview (on Mac), or various online tools allow you to fill out forms in PDF files by selecting text fields and entering information. Are there any restrictions when working with PDFs? Some PDFs might have restrictions set by their creator, such as password protection, editing restrictions, or print restrictions. Breaking these restrictions might require specific software or tools, which may or may not be legal depending on the circumstances and local laws.

Find Kuka Robot Manual :**looking for mr goodbar coronet books**

lone wolf lawman appaloosa pass ranch

localization in clinical neurology localization in clinical neurology

lonely planet iceland greenland and the faroe islands 3rd ed

long term care managing across the continuum 3rd edition

looking back stories of hunting fishing family and faith

lonely planet poland country travel guide

lofrans monza windlass installation manual

lonely planet yellowstone and grand teton national parks travel guide

long reach manual pruner

london buildings david walker architects

long island working woman cookbook

lonestar pedicure chair manuals

long tall texans vol ii tyler and sutton suttons way

logic manual exercise answers**Kuka Robot Manual :**

Building Manuals | The Australian Building Manual Guideline Building Manual Guideline. Free Download · Building Manual Solutions ... DOWNLOAD THE CURRENT AUSTRALIAN building manual guideline. DOWNLOAD FREE. Owners. The Australian house building manual / [Allan Staines] The Australian house building manual / [Allan Staines] ; Format: Book; Author: ; Edition: 1st ed. Description: ; ISBN: 1875217185; Notes: ; Subject: House ... Building manuals Dec 10, 2021 — This guidance is a national model for building manuals in the context of minimum building manual information requirements and the legislative ... The Australian house building manual / [Allan Staines] A step-by-step guide to house building, for builders, apprentice training, owner builders, designers, and teaching institutions. Contents cover brick veneer, ... Australian House Building Manual Step by Step 9th ... This entirely Australian manual is thoroughly researched in co-operation with the Australian Timber, Brick, Concrete and other relevant associations. It is ... The Australian House Building Manual [used book] The House Building Manual is an entirely Australian manual and is thoroughly researched in co-operation with the Australian timber, brick and concrete ... Your home technical manual (4th Edition).pdf It was the first Australian publication

to provide a comprehensive guide to sustainable building aimed at ordinary householders and occupiers as well as ... Building Code of Australia The Australian Building Codes Board (ABCB) is established by agreement between the Commonwealth Government and each State and Territory Government. It is a co- ... The Australian House Building Manual - 9th Edition Aug 13, 2021 — The House Building Manual is an entirely Australian manual and is thoroughly researched in co-operation with the Australian timber, brick, ... Study Guide and Solutions Manual for Hart/Hadad/Craigne/ ... Study Guide and Solutions Manual for Hart/Hadad/Craigne/Hart's Organic Chemistry: a Brief Course ; Publisher, CENGAGE Learning Custom Publishing; 13th edition (... Study Guide with Solutions Manual for Hart/Craigne ... Succeed in your course with this comprehensive Study Guide and Solutions Manual, which offers solutions to both in-text and end-of-chapter problems with an ... Study Guide with Solutions Manual for Hart/Craigne ... Study Guide with Solutions Manual for Hart/Craigne/Hart/Hadad's Organic Chemistry: A Short Course, 13th by Hart, Harold; Hadad, Christopher M.; Craigne, ... (PDF) Study Guide With Solutions Manual For Hart Craigne ... This kind of PDF FULL Study Guide with Solutions Manual for Hart/Craigne/Hart/Hadad's Organic Chemistry: A Short Course, 12th without we recognize teach the one ... Study Guide with Solutions Manual for Hart/Craigne/Hart/Hadad's ... Study Guide with Solutions Manual for Hart/Craigne/Hart/Hadad's Organic Chemistr, ; Condition. Good ; Quantity. 1 available ; Item Number. 145337098255 ; Book Title. Organic Chemistry - A Short Course Page 1. Page 2. Study Guide and Solutions Manual. Prepared by. David J. Hart. The Ohio State University. Christopher M. Hadad. The Ohio State University. Leslie ... Study Guide with Solutions Manual for Hart/Craigne ... Succeed in your course with this comprehensive Study Guide and Solutions Manual, which offers solutions to both in-text and end-of-chapter problems with an ... Organic Chemistry: Short Course book by Harold Hart Organic Chemistry, a Short Course: Study Guide and Solutions Manual. Harold ... Craigne, Harold Hart. from: \$68.19. Chemistry: The ... Study Guide with Solutions Manual for Hart Craigne Hart ... We have 3 copies of Study Guide with Solutions Manual for Hart Craigne Hart Hadad's Organic Chemistry... for sale starting from \$28.85. TEST BANK FOR ORGANIC CHEMISTRY A Short Course ... Hadad, Leslie E. Craigne, Harold Hart (Study Guide and Solutions Manual) Study Guide and Solutions Manual Prepared by David J. Hart The Ohio State University ... William F Hosford Solutions Mechanical Behavior of ... Solutions Manual · Study 101 · Textbook Rental · Used Textbooks · Digital Access Codes · Chegg ... H&C Solution Manual All Corrected | PDF H&C Solution Manual All Corrected - Free download as PDF File (.pdf), Text File (.txt) or read online for free. METAL FORMING BY HOSFORD SOLUTIONS. Mechanical Behavior Of Materials Solution Manual Our interactive player makes it easy to find solutions to Mechanical Behavior of Materials problems you're working on - just go to the chapter for your book. Mechanical Behavior of Materials William Hosford Find the three principal stresses, sketch the three-dimensional Mohr's circle diagram for this stress state, and find the largest shear stress in the body. Solutions manual, Mechanical behavior of materials ... Solutions manual, Mechanical behavior of materials, engineering methods for deformation, fracture, and fatigue, second edition. Show more ; Author: Norman E. Solutions manual,

Mechanical behavior of materials ... Jun 24, 2023 — Solutions manual, Mechanical behavior of materials, engineering methods for deformation, fracture, and fatigue, second edition ; Publication date ... Mechanical Behavior of Materials, SECOND EDITION This textbook fits courses on mechanical behavior of materials in mechanical engineering and materials science, and it includes numer-. Mechanical-Behavior-of-Materials hostford.pdf 84 MECHANICAL BEHAVIOR OF MATERIALS SOLUTION: Inspecting Equation (6.12), it is clear that the maximum ratio of σ_1 / Y corresponds to the minimum value 1 ... solution manual Mechanical Behavior of Materials Dowling ... solution manual Mechanical Behavior of Materials Dowling Kampe Kral 5th Edition. \$38.00 \$22.00. 1. Add to Cart \$22.00. Description. Solution Manual Mechanical Behavior Of Materials William ... Play Solution Manual Mechanical Behavior Of Materials William F Hosford from HauniaZevnu. Play audiobooks and excerpts on SoundCloud desktop ...