

ENGINE ARCHITECTURE

NEF engines are the highest expression of design and engineering efficiency that VECO MOTORS-IPT makes available on the market place. They are highly innovative engines designed to be able to comply now with the regulations on fumes and acoustic emissions that will be enforced in the near future.

Designed with innovative techniques and manufactured with advanced working processes, they are the result of hundreds of years of design and engineering tradition as well as of an important international cooperation.

The excellent performance of NEF engines originates from induction and exhaust ducts of new design where, by improving the gas exchange phases, the intaken air turbulence is improved, thus enabling the complete exploitation of the new injection system capacity.

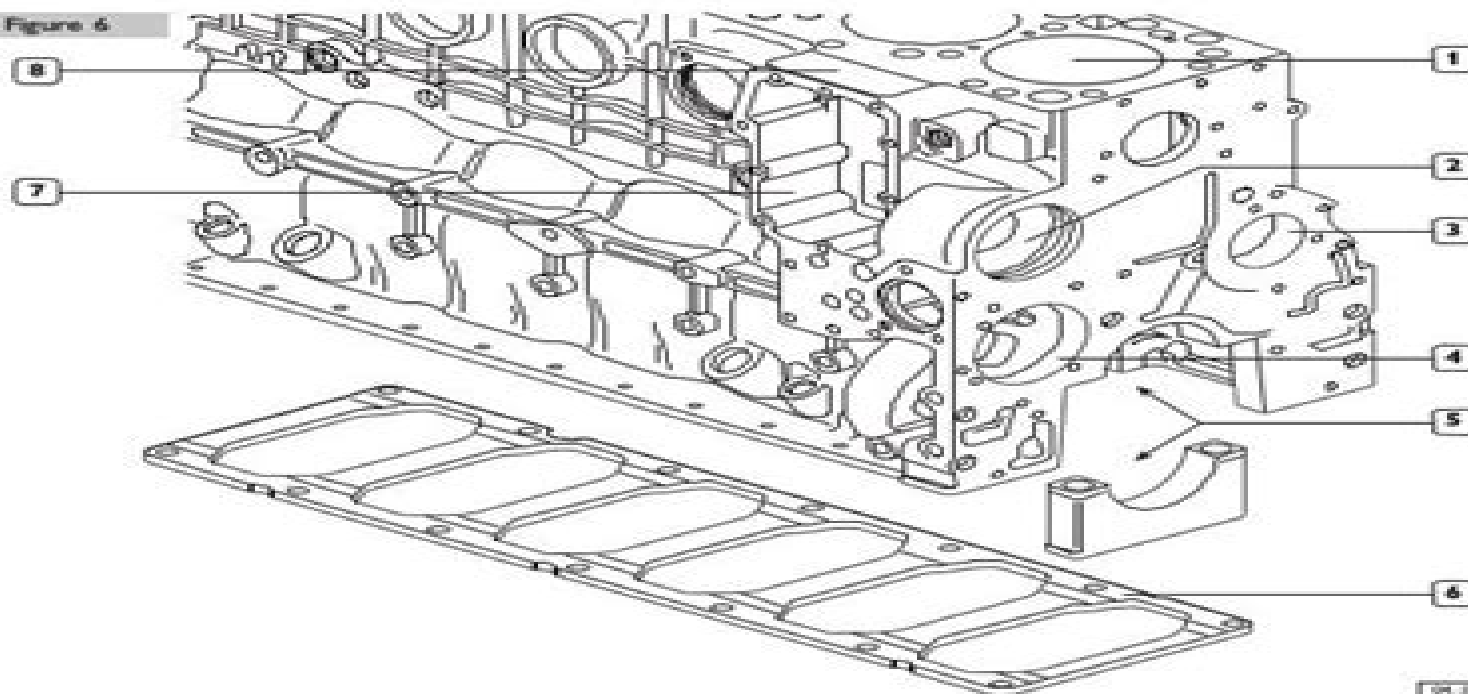
The new criteria chosen in defining the parameters setting the combustion conditions, metering and injection, optimized instant by instant, enable to obtain a new balance between high performance and consumption reduction. NEF engines can be fitted with a mechanical pump or a total electronic controlled "Common Rail" fuel supply system.

Every technical solution has been accurately devised so as to assure qualitative product perfection. The configuration of the engine itself has been designed in such a way as to facilitate access to each individual part thus reducing maintenance time.

Cylinder head fitted with four valves per cylinder, rear timing control, new design connecting rods and aluminum-nickel pistons are components of an engine fitted with 40% less elements than an engine of equivalent performance.

Crankcase

Figure 6



1. Reconditionable integral cylinder barrels - 2. Water pump seat - 3. Camshaft bushing seat - 4. Oil pump seat - 5. Main bearings - 6. Crankcase backing plate - 7. Oil cooler (waterfoil) seat - 8. Product model number location.

Moreover, within the cast iron crankcase, coolant circulation grooves, ducts for lubrication loops for the various machine parts and the seat for push rod bushings have

been grooved in. The backing plate (6) applied to the lower part makes the crankcase tougher and improves resistance to stress.

Iveco Nef Engine N60 Ent M37 Factory Service Repair Manual

Daniel F McAuley



Iveco Nef Engine N60 Ent M37 Factory Service Repair Manual:

Getting the books **Iveco Nef Engine N60 Ent M37 Factory Service Repair Manual** now is not type of challenging means. You could not without help going similar to books heap or library or borrowing from your associates to retrieve them. This is an agreed simple means to specifically get lead by on-line. This online publication Iveco Nef Engine N60 Ent M37 Factory Service Repair Manual can be one of the options to accompany you behind having new time.

It will not waste your time. admit me, the e-book will extremely tune you extra situation to read. Just invest little get older to entry this on-line declaration **Iveco Nef Engine N60 Ent M37 Factory Service Repair Manual** as without difficulty as review them wherever you are now.

<http://www.armchairempire.com/files/detail/index.jsp/kyocera%20manual%20printer.pdf>

Table of Contents Iveco Nef Engine N60 Ent M37 Factory Service Repair Manual

1. Understanding the eBook Iveco Nef Engine N60 Ent M37 Factory Service Repair Manual
 - The Rise of Digital Reading Iveco Nef Engine N60 Ent M37 Factory Service Repair Manual
 - Advantages of eBooks Over Traditional Books
2. Identifying Iveco Nef Engine N60 Ent M37 Factory Service Repair Manual
 - Exploring Different Genres
 - Considering Fiction vs. Non-Fiction
 - Determining Your Reading Goals
3. Choosing the Right eBook Platform
 - Popular eBook Platforms
 - Features to Look for in an Iveco Nef Engine N60 Ent M37 Factory Service Repair Manual
 - User-Friendly Interface
4. Exploring eBook Recommendations from Iveco Nef Engine N60 Ent M37 Factory Service Repair Manual
 - Personalized Recommendations
 - Iveco Nef Engine N60 Ent M37 Factory Service Repair Manual User Reviews and Ratings
 - Iveco Nef Engine N60 Ent M37 Factory Service Repair Manual and Bestseller Lists

5. Accessing Iveco Nef Engine N60 Ent M37 Factory Service Repair Manual Free and Paid eBooks
 - Iveco Nef Engine N60 Ent M37 Factory Service Repair Manual Public Domain eBooks
 - Iveco Nef Engine N60 Ent M37 Factory Service Repair Manual eBook Subscription Services
 - Iveco Nef Engine N60 Ent M37 Factory Service Repair Manual Budget-Friendly Options
6. Navigating Iveco Nef Engine N60 Ent M37 Factory Service Repair Manual eBook Formats
 - ePub, PDF, MOBI, and More
 - Iveco Nef Engine N60 Ent M37 Factory Service Repair Manual Compatibility with Devices
 - Iveco Nef Engine N60 Ent M37 Factory Service Repair Manual Enhanced eBook Features
7. Enhancing Your Reading Experience
 - Adjustable Fonts and Text Sizes of Iveco Nef Engine N60 Ent M37 Factory Service Repair Manual
 - Highlighting and Note-Taking Iveco Nef Engine N60 Ent M37 Factory Service Repair Manual
 - Interactive Elements Iveco Nef Engine N60 Ent M37 Factory Service Repair Manual
8. Staying Engaged with Iveco Nef Engine N60 Ent M37 Factory Service Repair Manual
 - Joining Online Reading Communities
 - Participating in Virtual Book Clubs
 - Following Authors and Publishers Iveco Nef Engine N60 Ent M37 Factory Service Repair Manual
9. Balancing eBooks and Physical Books Iveco Nef Engine N60 Ent M37 Factory Service Repair Manual
 - Benefits of a Digital Library
 - Creating a Diverse Reading Collection Iveco Nef Engine N60 Ent M37 Factory Service Repair Manual
10. Overcoming Reading Challenges
 - Dealing with Digital Eye Strain
 - Minimizing Distractions
 - Managing Screen Time
11. Cultivating a Reading Routine Iveco Nef Engine N60 Ent M37 Factory Service Repair Manual
 - Setting Reading Goals Iveco Nef Engine N60 Ent M37 Factory Service Repair Manual
 - Carving Out Dedicated Reading Time
12. Sourcing Reliable Information of Iveco Nef Engine N60 Ent M37 Factory Service Repair Manual
 - Fact-Checking eBook Content of Iveco Nef Engine N60 Ent M37 Factory Service Repair Manual
 - Distinguishing Credible Sources
13. Promoting Lifelong Learning

- Utilizing eBooks for Skill Development
 - Exploring Educational eBooks
14. Embracing eBook Trends
- Integration of Multimedia Elements
 - Interactive and Gamified eBooks

Iveco Nef Engine N60 Ent M37 Factory Service Repair Manual Introduction

In today's digital age, the availability of Iveco Nef Engine N60 Ent M37 Factory Service Repair Manual books and manuals for download has revolutionized the way we access information. Gone are the days of physically flipping through pages and carrying heavy textbooks or manuals. With just a few clicks, we can now access a wealth of knowledge from the comfort of our own homes or on the go. This article will explore the advantages of Iveco Nef Engine N60 Ent M37 Factory Service Repair Manual books and manuals for download, along with some popular platforms that offer these resources. One of the significant advantages of Iveco Nef Engine N60 Ent M37 Factory Service Repair Manual books and manuals for download is the cost-saving aspect. Traditional books and manuals can be costly, especially if you need to purchase several of them for educational or professional purposes. By accessing Iveco Nef Engine N60 Ent M37 Factory Service Repair Manual versions, you eliminate the need to spend money on physical copies. This not only saves you money but also reduces the environmental impact associated with book production and transportation. Furthermore, Iveco Nef Engine N60 Ent M37 Factory Service Repair Manual books and manuals for download are incredibly convenient. With just a computer or smartphone and an internet connection, you can access a vast library of resources on any subject imaginable. Whether you're a student looking for textbooks, a professional seeking industry-specific manuals, or someone interested in self-improvement, these digital resources provide an efficient and accessible means of acquiring knowledge. Moreover, PDF books and manuals offer a range of benefits compared to other digital formats. PDF files are designed to retain their formatting regardless of the device used to open them. This ensures that the content appears exactly as intended by the author, with no loss of formatting or missing graphics. Additionally, PDF files can be easily annotated, bookmarked, and searched for specific terms, making them highly practical for studying or referencing. When it comes to accessing Iveco Nef Engine N60 Ent M37 Factory Service Repair Manual books and manuals, several platforms offer an extensive collection of resources. One such platform is Project Gutenberg, a nonprofit organization that provides over 60,000 free eBooks. These books are primarily in the public domain, meaning they can be freely distributed and downloaded. Project Gutenberg offers a wide range of classic literature, making it an excellent resource for literature enthusiasts. Another popular platform for Iveco Nef Engine N60 Ent M37 Factory Service Repair Manual books and manuals is Open Library. Open Library is an initiative of the Internet Archive, a non-profit

organization dedicated to digitizing cultural artifacts and making them accessible to the public. Open Library hosts millions of books, including both public domain works and contemporary titles. It also allows users to borrow digital copies of certain books for a limited period, similar to a library lending system. Additionally, many universities and educational institutions have their own digital libraries that provide free access to PDF books and manuals. These libraries often offer academic texts, research papers, and technical manuals, making them invaluable resources for students and researchers. Some notable examples include MIT OpenCourseWare, which offers free access to course materials from the Massachusetts Institute of Technology, and the Digital Public Library of America, which provides a vast collection of digitized books and historical documents. In conclusion, Iveco Nef Engine N60 Ent M37 Factory Service Repair Manual books and manuals for download have transformed the way we access information. They provide a cost-effective and convenient means of acquiring knowledge, offering the ability to access a vast library of resources at our fingertips. With platforms like Project Gutenberg, Open Library, and various digital libraries offered by educational institutions, we have access to an ever-expanding collection of books and manuals. Whether for educational, professional, or personal purposes, these digital resources serve as valuable tools for continuous learning and self-improvement. So why not take advantage of the vast world of Iveco Nef Engine N60 Ent M37 Factory Service Repair Manual books and manuals for download and embark on your journey of knowledge?

FAQs About Iveco Nef Engine N60 Ent M37 Factory Service Repair Manual Books

What is a Iveco Nef Engine N60 Ent M37 Factory Service Repair Manual PDF? A PDF (Portable Document Format) is a file format developed by Adobe that preserves the layout and formatting of a document, regardless of the software, hardware, or operating system used to view or print it. **How do I create a Iveco Nef Engine N60 Ent M37 Factory Service Repair Manual PDF?** There are several ways to create a PDF: Use software like Adobe Acrobat, Microsoft Word, or Google Docs, which often have built-in PDF creation tools. Print to PDF: Many applications and operating systems have a "Print to PDF" option that allows you to save a document as a PDF file instead of printing it on paper. Online converters: There are various online tools that can convert different file types to PDF. **How do I edit a Iveco Nef Engine N60 Ent M37 Factory Service Repair Manual PDF?** Editing a PDF can be done with software like Adobe Acrobat, which allows direct editing of text, images, and other elements within the PDF. Some free tools, like PDFescape or Smallpdf, also offer basic editing capabilities. **How do I convert a Iveco Nef Engine N60 Ent M37 Factory Service Repair Manual PDF to another file format?** There are multiple ways to convert a PDF to another format: Use online converters like Smallpdf, Zamzar, or Adobe Acrobat's export feature to convert PDFs to formats like Word, Excel, JPEG, etc. Software like Adobe Acrobat, Microsoft Word, or other PDF editors may have options to export or save PDFs in different formats. **How do I**

password-protect a Iveco Nef Engine N60 Ent M37 Factory Service Repair Manual PDF? Most PDF editing software allows you to add password protection. In Adobe Acrobat, for instance, you can go to "File" -> "Properties" -> "Security" to set a password to restrict access or editing capabilities. Are there any free alternatives to Adobe Acrobat for working with PDFs? Yes, there are many free alternatives for working with PDFs, such as: LibreOffice: Offers PDF editing features. PDFsam: Allows splitting, merging, and editing PDFs. Foxit Reader: Provides basic PDF viewing and editing capabilities. How do I compress a PDF file? You can use online tools like Smallpdf, ILovePDF, or desktop software like Adobe Acrobat to compress PDF files without significant quality loss. Compression reduces the file size, making it easier to share and download. Can I fill out forms in a PDF file? Yes, most PDF viewers/editors like Adobe Acrobat, Preview (on Mac), or various online tools allow you to fill out forms in PDF files by selecting text fields and entering information. Are there any restrictions when working with PDFs? Some PDFs might have restrictions set by their creator, such as password protection, editing restrictions, or print restrictions. Breaking these restrictions might require specific software or tools, which may or may not be legal depending on the circumstances and local laws.

Find Iveco Nef Engine N60 Ent M37 Factory Service Repair Manual :

[kyocera manual printer](#)

[1185 new holland repair manual](#)

[kymco mongoose 90 manual](#)

[kxf 250 workshop manual](#)

[kz jag 23rk owner manual](#)

kyocera fs c5100dn fs c5200dn fs c5300 dn parts manual

kunci pianika scimmiaska lelah

kymco like 50 manual

~~la casa torcida agatha christie 125a~~

[l300 manual](#)

[kyocera paper feeder pf 16 parts catalogue](#)

[kymco bug jive manual](#)

la cena secreta bestseller internacional

~~kustom electronics video manuals~~

kumon answer book level j math download

Iveco Nef Engine N60 Ent M37 Factory Service Repair Manual :

apexvs english 2 semester 2 answer key copy dev uvexplorer - Aug 03 2022

web apexvs english 2 semester 2 answer key 1 apexvs english 2 semester 2 answer key apexvs answers english 4 semester 2 apexvs english 2 semester 2 apexvs answers english 3 semester 2 apexvs english 2 semester 2 answer key wakati co apexvs answers english 2 semester 1 ybjguc malofeev co apexvs spanish 2 semester

apex english 12 semester 2 answer key pdf answers for 2023 - Nov 06 2022

web 7343 apex english 12 semester 2 answer key pdf most popular 5478 kb s 8390 apex english 12 semester 2 answer key pdf updated 5921 kb s 7470 apex learning english 11 sem 1 answers march 2022

apex english 2 semester 2 answer key answers for 2023 exams - Jun 13 2023

web download apex english 2 semester 2 answer key filename speed downloads apex english 2 semester 2 answer key added by users 1334 kb s 2358 apex english 2 semester 2 answer key most popular 5743 kb s 7861 apex english 2 semester 2 answer key updated 3185 kb s 6181 apex english 2 semester 2 answer key

apex learning answers reddit - Jul 14 2023

web r apex learning answers come here for help with apex learning apex ap stats sem 1 hi guys i have all of ap statistics sem 1 answers all of the test quizzes and practice 0 comments share save 1 posted by 3 months ago math 2 apex anyone got math 2 apex 1 1 comment share save 1 posted by 3 months ago need english 10

apex answers how to get apex learning answers 2023 - Feb 09 2023

web apr 7 2023 you need to put your query in the search engine and get the desired result either you can set the question word to word or make some modifications in your query with the combination of key phrases this way you can get the apex learning algebra 1 semester 2 answers and apex quiz answers also

accurate apex learning answers and assistance january 2023 - Jan 08 2023

web we have a team of geometry experts who can help you solve apex leaning geometry quiz answers get apex english answers finding ways to secure apex learning answers for english 2 get assistance to manage apex english 11 semester 1 answers and apex english 11 semester 2 answers from creative savants experts

how to get any answer for apex learning r apexlearningschool reddit - May 12 2023

web may 20 2020 84 84 comments best add a comment deleted 3 yr ago i have the whole apex answers for every sub grade pm me i could help yall out 1 xxivannxx 3 yr ago do you have algebra 1 semester 2

apex english 12 semester 2 answer key pdf pdfiller - Feb 26 2022

web 01 high school students looking to fulfill their english 12 credit requirement 02 students who need to improve their english language skills and reading comprehension 03 individuals interested in exploring various literary works and

analyzing them in depth 04

download apex english 10 semester 2 answers hot - Jan 28 2022

web answer key for apex learning 12 2020 course f apex english 10 2 2 9 1a monkey king monkey king struggles to find out who he is and after he gets denied because he is a monkey he tries to become human and grows in size and wears shoes he is buried under rock and only by reverting back to monkey form can he escape

english 11 semester 2 apex high course hero - Dec 27 2021

web english 11 semester 2 dept info apex high s english 11 semester 2 department has 4 courses in course hero with 53 documents and 7 answered questions

apex 4 english flashcards and study sets quizlet - Sep 04 2022

web learn apex 4 english with free interactive flashcards choose from 5 000 different sets of apex 4 english flashcards on quizlet

apex learning english 1 answer key answers for 2023 exams - Apr 11 2023

web free apex learning answer key english 10 apex answers for english 2 semester 1 learn more apex answer key for english 4 free ebooks in the my mind and uslegalforms com form library 392236 apex english 4 semester 1 answer key apex test 1 review english quiz quizizz play this game to review english

apex english 10 semester 2 exam answers answers for 2023 - Apr 30 2022

web best apex answers 1 site for apex learning answers key it also offers apex college and career preparation 1 answers including apex algebra 2 semester 1 answers our tutors also help students to get professional exam help online the expertly compiled answers provide much needed help to the students

unlock the secrets apex english 2 semester 1 answers revealed - Jul 02 2022

web the apex english 2 semester 1 answers cover a wide range of topics including reading comprehension vocabulary development grammar rules and writing strategies each answer is carefully crafted to provide a clear and concise explanation of the corresponding question or concept

a2 key sınavı cambridge english - Mar 30 2022

web bu temel seviyedeki yeterli İngilizce öğrenmeye yeni başlayanlar için güzel bir sınavdır a2 key sınavı basit durumlarda İngilizce iletişim kurabildiğinizi kanıtlayan bir yeterlidir bu sınav her dört İngilizce dil yeteneğini okuma yazma dinleme konuşma test eder bu sınav ile birlikte b1 preliminary ve b2 first

apexvs english 2 answer key pdf ftp popcake - Jun 01 2022

web apexvs english 2 answer key 1 apexvs english 2 answer key apex algebra 2 semester 1 answer key apex practice answer keys 12 2020 apexvs answer key english 2 semester 1 apexvs answers apexvs english 3 semester 2 answer key booklection

com apexvs masterlists apexvs answer key algebra 1 sem 2 exam

apex english 11 semester 2 answer key answers for 2023 exams - Mar 10 2023

web 9165 english 4 semester 1 exam fill online printable fillable blank fill apex english 12 semester 2 answer key try risk free get create make and sign apex english 11 semester 1 answer key pdf get form pdfiller com 252031385 answers for apex english 4pdf answers for apex english 4 answers for apex english 4 webtino

how to cheat on apex learning let s find out assignment - Dec 07 2022

web learn how to cheat on apex learning without putting yourself at risk learn how to get answers for apex learning and get only top grades

apexvs answers english 9 semester 2 answers for 2023 exams - Oct 05 2022

web apex english 2 semester 2 answers apexvs quiz answers acpsf orgapex learning answers free xpcourseamazon com english grammar in use book with answers a edgenuity english 2 unit test answers apexvs answers geometry semester 2 exam answers free answers to apex geometry semester 2 apex

apex answer key zip r apexlearningschool reddit - Aug 15 2023

web jul 25 2020 did you ever get it 1 haithhhhham08 3 yr ago please can you send me algebra sem 2 practice and journal works please i need them a lot g8 2 wraithstitties 3 yr ago he s good for it 1 magsturebae 3 yr ago can you email me all the answers to english ii texas 2019 1 1kjayy 3 yr ago how i do this 1 deleted 3 yr ago hmu in dm 1

pdf selena gomez official 2019 calendar a3 wall calendar - Jun 12 2023

web read the latest magazines about pdf selena gomez official 2019 calendar a3 wall calendar format android and discover magazines on yumpu com

selena gomez official 2019 calendar a3 wall calen pdf copy - Dec 06 2022

web introduction selena gomez official 2019 calendar a3 wall calen pdf copy dancing with myself billy idol 2015 09 29 a candid memoir by the multiplatinum recording artist

selena gomez official 2019 calendar a3 wall calen pdf - Nov 05 2022

web selena gomez official 2019 calendar a3 wall calen pdf is available in our digital library an online access to it is set as public so you can download it instantly our digital library

pdf selena gomez official 2019 calendar yumpu - May 31 2022

web pdf selena gomez official 2019 calendar a3 wall calendar format android

selena gomez official 2019 calendar a3 wall calendar forma - Jul 13 2023

web nov 19 2018 amazon com selena gomez official 2019 calendar a3 wall calendar forma office products

selena gomez official 2019 calendar a3 wall calendar format - Aug 14 2023

web nov 18 2018 spend 2019 with selena gomez with this official calendar the this month to view a3 format calendar includes spectacular images of the stunning american singer

selena gomez official 2019 a3 wall calendar new sealed - Nov 24 2021

web find many great new used options and get the best deals for selena gomez official 2019 a3 wall calendar new sealed at the best online prices at ebay free delivery

selena gomez tour announcements 2023 2024 notifications - Feb 25 2022

web nov 24 2019 find information on all of selena gomez s upcoming concerts tour dates and ticket information for 2023 2024 unfortunately there are no concert dates for selena

selena gomez tour 2023 concert schedule tickets - Dec 26 2021

web catch a rare new tour from selena gomez pop superstar selena gomez just released her third studio album rare and while we don t know anything definitive about her

selena gomez official 2019 calendar a3 wall calen copy - Jan 07 2023

web apr 1 2023 selena gomez official 2019 calendar a3 wall calen 1 7 downloaded from uniport edu ng on april 1 2023 by guest selena gomez official 2019 calendar a3 wall

selena gomez official 2019 calendar a3 wall calen pdf pdf - Feb 08 2023

web selena gomez official 2019 calendar a3 wall calen pdf introduction selena gomez official 2019 calendar a3 wall calen pdf pdf

selena gomez official 2019 calendar a3 wall calendar format - Oct 04 2022

web oct 1 2018 selena gomez official 2019 calendar a3 wall calendar format 9781785495748 available at book depository with free delivery worldwide

selena gomez biography music news billboard - Jan 27 2022

web explore selena gomez s music on billboard get the latest news biography and updates on the artist

selena gomez official 2019 calendar a3 wall calen rebecca - Mar 09 2023

web inside their computer selena gomez official 2019 calendar a3 wall calen is understandable in our digital library an online admission to it is set as public thus you can

selena gomez official 2019 a3 wall calendar new sealed - Apr 29 2022

web find many great new used options and get the best deals for selena gomez official 2019 a3 wall calendar new sealed at the best online prices at ebay

selena gomez official 2019 a3 wall calendar new sealed - Sep 03 2022

web find many great new used options and get the best deals for selena gomez official 2019 a3 wall calendar new sealed at

the best online prices at ebay free delivery

pdf selena gomez official 2019 calendar a3 wall calendar - Apr 10 2023

web pdf selena gomez official 2019 calendar a3 wall calendar format android download pdf read pdf selena gomez official 2019 calendar a3

selena gomez official 2019 a3 wall calendar new sealed - Aug 02 2022

web aug 28 2023 find many great new used options and get the best deals for selena gomez official 2019 a3 wall calendar new sealed at the best online prices at

9781785495748 selena gomez official 2019 calendar a3 wall - May 11 2023

web selena gomez official 2019 calendar a3 wall calendar format find all books from selena gomez at find more books com you can find used antique and new books

selena gomez official 2019 calendar a3 wall calen - Jul 01 2022

web calendar featuring fabulous pictures of this english heavy metal band this a3 calendar format gives you the opportunity of having an iron maiden poster calendar alongside a date

loading interface goodreads - Mar 29 2022

web discover and share books you love on goodreads

best 10 excel templates for work schedule wps office - Nov 14 2021

weekly work schedule template for excel - Nov 26 2022

web a daily work plan schedule is usually arranged in chronological order that helps you stay organized and accomplish personal or business tasks within a day on the other hand a

free work schedule template download in word google - Dec 16 2021

free excel project schedule templates smartsheet - Aug 04 2023

web mar 22 2022 get started today for free best project scheduling templates for excel microsoft excel isn t naturally a good project scheduling tool however these free

excel scheduling template for building a perfect schedule - Oct 26 2022

web aug 29 2022 here are top 10 excel templates for work schedule which are discussed as below 1 simple blue and yellow work plan this template is related to the work

how to make a schedule in excel with templates - Feb 27 2023

web updated june 22 2023 spreadsheets are helpful tools that you can use to organize employee information when preparing

work schedules by preparing schedule

creating a work schedule with excel step by step guide ionos - Jun 21 2022

how to create a work schedule in excel for your team - Apr 19 2022

12 best project scheduling templates for excel projectmanager - Sep 24 2022

free weekly schedule templates for excel - Jun 02 2023

web create custom budgets invoices schedules calendars planners trackers and more with easily customizable excel templates you don t need to be an expert in design or excel

free downloadable weekly schedule templates excel pdf word - Jan 17 2022

free daily work schedule templates smartsheet - Jan 29 2023

web jun 20 2023 features to look for in your next schedule template 10 schedule templates to block plan and organize everything 1 clickup team schedule

15 great work plan templates samples excel word - Sep 05 2023

web and this exhaustive guide with a simple excel scheduling template is here to help you become adept at it

free schedules for excel daily schedules weekly - Feb 15 2022

free excel schedule templates for schedule makers - May 01 2023

web sep 12 2023 productivity work schedule excel 09 12 2023 productivity creating a work schedule with excel a guide the work schedule or shift plan is an integral part of staff

schedule design templates for excel microsoft create - Oct 06 2023

web create from scratch show all follow a schedule to stay on top of your life design custom schedule templates to help you plan out your year and manage projects for your

monthly schedule template for excel download now for free - Aug 24 2022

free project schedule templates smartsheet - Mar 31 2023

web with so many views color coded and organized into neat rows and columns this work schedule template is a knockout in more ways than one download this template 7

excel design templates microsoft create - Jul 23 2022

work schedule template for excel vertex42 - Dec 28 2022

web dec 20 2021 download links google sheet excel pdf word 2 weekly schedule template 2 monday through saturday this work schedule template is for teams who

9 free work schedule templates in clickup excel - May 21 2022

free work schedule templates for word and excel smartsheet - Jul 03 2023

web mar 10 2022 what are some examples of monthly schedule templates from marketing campaign scheduling calendars to templates for project deadlines there are several

10 free schedule templates in excel google sheets clickup - Mar 19 2022