

GMC Envoy 2002-2009 Workshop Manual

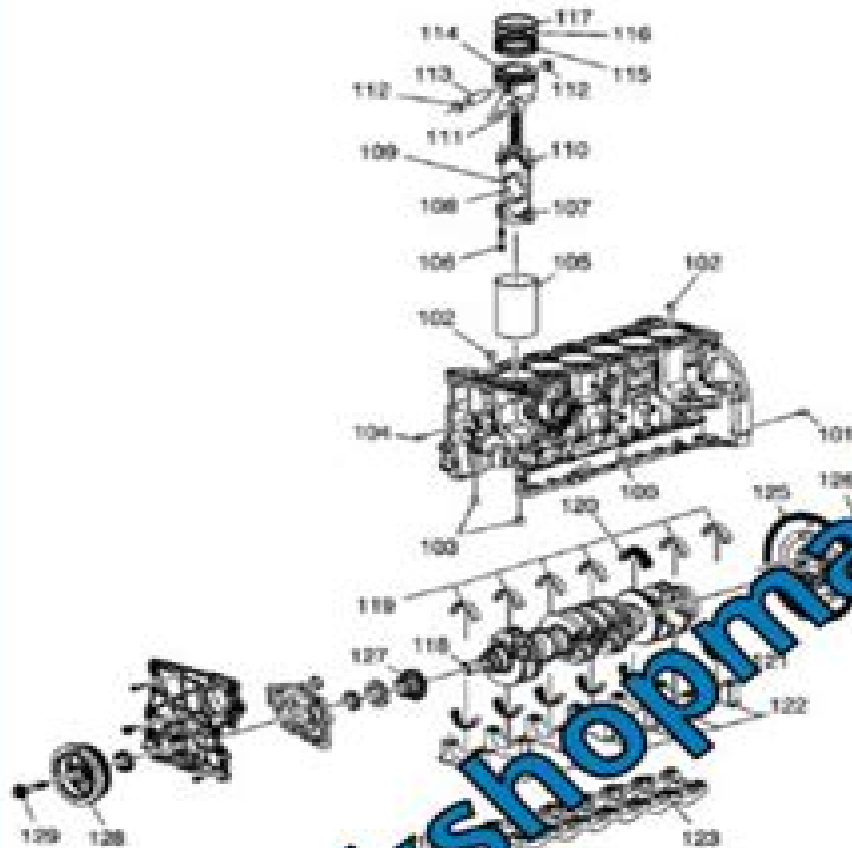


Fig. 19- Engine Block, Crankshaft & Pistons
Courtesy of GENERAL MOTORS CORP.

Callout	Component Name
100	Cylinder Block
101	Transmission Locator Pin
102	Cylinder Head Locator Pin
103	Cylinder Head Locator Pin

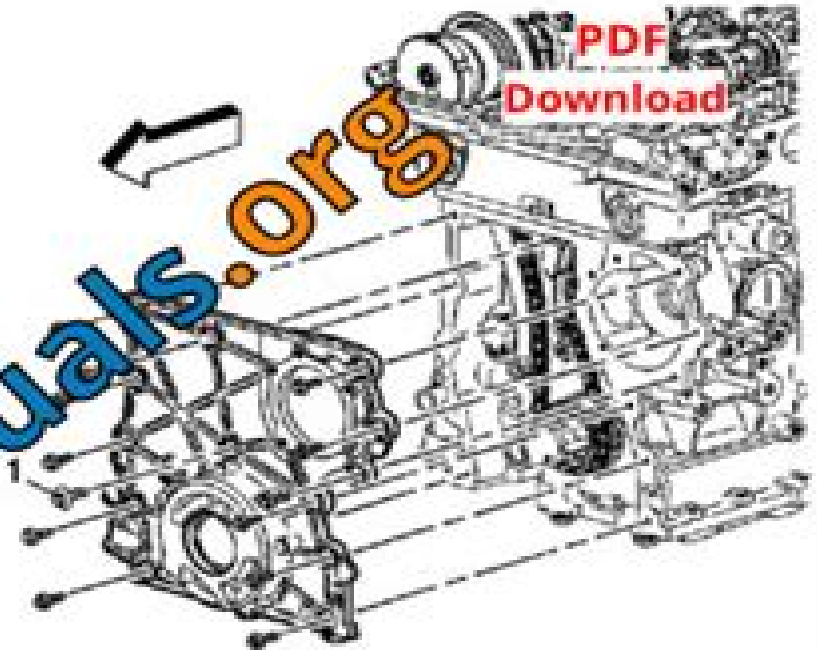


Fig. 166- View Of Engine Front Cover Bolts
Courtesy of GENERAL MOTORS CORP.

5. Install the front cover.

NOTE: Refer to [Exterior Notice](#).

6. Install the front cover bolts, tightening the center bolt (1) last.

Tighten: Tighten the front cover bolts to 10 N m (89 lb in).

7. Remove the J 44219. See [Special Tools](#).
8. Raise the vehicle. Refer to [Lifting and Jacking the Vehicle](#).

PDF
Download

workshopmanuals.org

Gmc Envoy Manual Transmission

JS Bruner



Gmc Envoy Manual Transmission:

4x4s, Pickups and Vans Consumer Guide,2002-04 An invaluable resource for shoppers in the fastest growing segment of the new vehicle market this reference provides information on the best buys up to date prices hands on reviews and shopping tips and features profiles on more than 60 new sport utility vehicles

LS Engine Parts Interchange: 1997-2020 Joseph Potak,Jefferson Bryant,2025-04-15 Mix and match parts for your LS engine to maximize power on a budget With its debut in 1997 the General Motors LS series engine arguably became the most popular V 8 engine in the world It was first offered in Corvettes and then migrated to the entire General Motors lineup where V 8s were offered and millions have been manufactured These engines are compact powerful and abundantly available through salvage yards and crate engine programs Due to being manufactured for more than 20 years many versions of the LS engine platform exist including more than 30 variants Many parts are interchangeable but some are not In LS Engine Parts Interchange 1997 2020 veteran LS engine authors Joseph Potak and Jefferson Bryant present a wealth of knowledge regarding which parts work well together and which parts do not Parts that are covered include engine blocks rotating assemblies cylinder heads camshafts and the valvetrain oiling systems intake manifolds electronic engine controls and more Which cam works best for your application Perhaps you are interested in building a stroker with factory parts Can you retrofit the free flowing Gen IV heads onto a Gen III block This book covers each of these topics If you would like to extract more horsepower using all factory parts if you want to plan for a swap or if you simply want to know more about the entire LS engine family this book is a vital resource

Fuel Economy Guide ,2002 Buying Guide 2003 Consumer Reports,2002-11 Contains specific recommendations for various household products and car repair records *The Complete Small Truck Cost Guide* ,1998 2020 Collector Car Price Guide Old Cars Report Price Guide Editors,2019-07-02 Car values fluctuate wildly never more so than in our current economic environment Pricing information is a must for collectors restorers buyers sellers insurance agents and a myriad of others who rely on reliable authoritative data With well over 300 000 listings for domestic cars and light trucks and various import vehicles manufactured between 1901 and 2012 this is the most thorough price guide on the market This invaluable reference is for the serious car collector as well as anyone who wants to know the value of a collector car they are looking to buy or sell Prices in this must have reference reflect the latest values in up to six grades of condition from the esteemed Old Cars Price Guide database New information for the most recent model year will also be added to our new Old Car Report database

The Complete Small Truck Cost Guide 1999 IntelliChoice, Inc,Steven Gross,1999-02 **Automobile Book** Consumer Guide Editors,2001-01-09 The only complete new car buying guide this new edition covers more than 190 passenger cars minivans pickup trucks and sport utility vehicles for 2001 Includes profiles and photos of new models the latest suggested retail and dealer invoice prices for all models and options mileage ratings warranty information and more Signet Special Oversize *Savoy* ,2002 **Honey** ,2001-02 **New Cars & Trucks Buyer's Guide** ,2006 *Used Car*

Buying Guide 2007 Consumer Reports (Firm),2007-01-09 Buying a car can be a smart idea a car loses the lion s share of its value when it is driven off the new car lot so why let someone else take that loss But buyer beware A used car is likely to need more repairs and may come with a short warranty or none at all In addition used cars may lack the latest safety features That is why it is so important for consumers to do extensive research so they can avoid all of the potential pitfalls of buying a used car The auto experts at Consumer Reports have done the work for you and have compiled their extensive research and report their findings into the 2007 edition of USED CAR BUYING GUIDE This fabulous tool will help steer any consumer who is in the market for a used car towards the better performing and more reliable used car models and away from those models with a troubled past or substandard performance Before consumers set foot on a used car lot they should read all the valuable information provided in this book so they can be armed with as much information as possible and the knowledge to make an educated choice Consumer Reports knows cars and offers the most detailed and revealing used car reliability information available anywhere including Unbiased reviews of every major model from 1999 2006 Lists of the best and worst used vehicles and how to avoid a lemon A checklist of what to look for when inspecting a used car Best used cars for gas mileage Tips on negotiating the best price Reliability recalls and crash test information Making sense of safety information How to get the most money when trading in your current car The majority of this book is devoted to the profiles of 264 cars minivans SUVs and trucks presenting all major 1999 2006 models Each profile contains a photo from the representative year a write up of the vehicle reliability history crash test data and the model years when key safety gear was added and when a major redesign was made *Automobile Book 1999* Consumer Guide,Consumer Guide Editors,1999-01-30 Featuring profiles and photos of over 170 passenger cars minivans and four wheel drive vehicles available for 1999 this book includes the latest suggested retail and dealer invoice prices for all models Consumer Reports Used Car Buying Guide 2003 Consumer Reports Books,2003-02-14 The ultimate used car guide lists the best and worst used cars summarizes the marketplace shares advice on web shopping discusses author insurance and shares tips on buying and selling Original **New Car Buying Guide** Consumer Reports (Firm),2006-06 This essential guide offers all the tools necessary to negotiate for the best price including reliability ratings profiles and crash test results for more than 210 new car models **Car and Driver** ,2005 Automotive News ,2006 *The 4x4'S, Pickups and Vans Buying Guide 2003* Consumer Guide,2003-03 Updated for 2003 this comprehensive guide contains profiles of more than 60 new sport utility vehicles pickup trucks and vans with complete specifications on cargo dimensions and payloads plus hands on reviews up to date prices and more Heart & Soul ,2001-02 *Edmunds New Cars & Trucks Buyer's Guide 2006 Annual* Editors at Edmunds.com,2005-12-27 For more than 39 years millions of consumers have turned to Edmunds buyer s guides for their shopping needs This format makes it easy for consumers to get the advice and information they need to purchase their next new vehicle Readers benefit from features such as Comprehensive vehicle reviews Easy to use charts rate competitive

vehicles in popular market segments In depth advice on buying and leasing Editors and consumers ratings High quality photography Editors Most Wanted picks in 27 vehicle categories In addition to these features vehicle shoppers can benefit from the best that they ve come to expect from the Edmunds name Crash test ratings from the National Highway Traffic Safety Administration and the Insurance Institute for Highway Safety Warranty information Information on most fuel efficient models and how to improve your fuel economy Detailed explanation of how hybrid vehicles work Previews of future vehicles not yet for sale

Decoding **Gmc Envoy Manual Transmission**: Revealing the Captivating Potential of Verbal Expression

In an era characterized by interconnectedness and an insatiable thirst for knowledge, the captivating potential of verbal expression has emerged as a formidable force. Its power to evoke sentiments, stimulate introspection, and incite profound transformations is genuinely awe-inspiring. Within the pages of "**Gmc Envoy Manual Transmission**," a mesmerizing literary creation penned with a celebrated wordsmith, readers set about an enlightening odyssey, unraveling the intricate significance of language and its enduring effect on our lives. In this appraisal, we shall explore the book's central themes, evaluate its distinctive writing style, and gauge its pervasive influence on the hearts and minds of its readership.

http://www.armchairempire.com/results/virtual-library/default.aspx/Lying_Moral_Choice_In_Public_And_Private_Life.pdf

Table of Contents Gmc Envoy Manual Transmission

1. Understanding the eBook Gmc Envoy Manual Transmission
 - The Rise of Digital Reading Gmc Envoy Manual Transmission
 - Advantages of eBooks Over Traditional Books
2. Identifying Gmc Envoy Manual Transmission
 - Exploring Different Genres
 - Considering Fiction vs. Non-Fiction
 - Determining Your Reading Goals
3. Choosing the Right eBook Platform
 - Popular eBook Platforms
 - Features to Look for in an Gmc Envoy Manual Transmission
 - User-Friendly Interface
4. Exploring eBook Recommendations from Gmc Envoy Manual Transmission
 - Personalized Recommendations
 - Gmc Envoy Manual Transmission User Reviews and Ratings
 - Gmc Envoy Manual Transmission and Bestseller Lists

5. Accessing Gmc Envoy Manual Transmission Free and Paid eBooks
 - Gmc Envoy Manual Transmission Public Domain eBooks
 - Gmc Envoy Manual Transmission eBook Subscription Services
 - Gmc Envoy Manual Transmission Budget-Friendly Options
6. Navigating Gmc Envoy Manual Transmission eBook Formats
 - ePub, PDF, MOBI, and More
 - Gmc Envoy Manual Transmission Compatibility with Devices
 - Gmc Envoy Manual Transmission Enhanced eBook Features
7. Enhancing Your Reading Experience
 - Adjustable Fonts and Text Sizes of Gmc Envoy Manual Transmission
 - Highlighting and Note-Taking Gmc Envoy Manual Transmission
 - Interactive Elements Gmc Envoy Manual Transmission
8. Staying Engaged with Gmc Envoy Manual Transmission
 - Joining Online Reading Communities
 - Participating in Virtual Book Clubs
 - Following Authors and Publishers Gmc Envoy Manual Transmission
9. Balancing eBooks and Physical Books Gmc Envoy Manual Transmission
 - Benefits of a Digital Library
 - Creating a Diverse Reading Collection Gmc Envoy Manual Transmission
10. Overcoming Reading Challenges
 - Dealing with Digital Eye Strain
 - Minimizing Distractions
 - Managing Screen Time
11. Cultivating a Reading Routine Gmc Envoy Manual Transmission
 - Setting Reading Goals Gmc Envoy Manual Transmission
 - Carving Out Dedicated Reading Time
12. Sourcing Reliable Information of Gmc Envoy Manual Transmission
 - Fact-Checking eBook Content of Gmc Envoy Manual Transmission
 - Distinguishing Credible Sources
13. Promoting Lifelong Learning

- Utilizing eBooks for Skill Development
 - Exploring Educational eBooks
14. Embracing eBook Trends
- Integration of Multimedia Elements
 - Interactive and Gamified eBooks

Gmc Envoy Manual Transmission Introduction

In this digital age, the convenience of accessing information at our fingertips has become a necessity. Whether its research papers, eBooks, or user manuals, PDF files have become the preferred format for sharing and reading documents. However, the cost associated with purchasing PDF files can sometimes be a barrier for many individuals and organizations. Thankfully, there are numerous websites and platforms that allow users to download free PDF files legally. In this article, we will explore some of the best platforms to download free PDFs. One of the most popular platforms to download free PDF files is Project Gutenberg. This online library offers over 60,000 free eBooks that are in the public domain. From classic literature to historical documents, Project Gutenberg provides a wide range of PDF files that can be downloaded and enjoyed on various devices. The website is user-friendly and allows users to search for specific titles or browse through different categories. Another reliable platform for downloading Gmc Envoy Manual Transmission free PDF files is Open Library. With its vast collection of over 1 million eBooks, Open Library has something for every reader. The website offers a seamless experience by providing options to borrow or download PDF files. Users simply need to create a free account to access this treasure trove of knowledge. Open Library also allows users to contribute by uploading and sharing their own PDF files, making it a collaborative platform for book enthusiasts. For those interested in academic resources, there are websites dedicated to providing free PDFs of research papers and scientific articles. One such website is Academia.edu, which allows researchers and scholars to share their work with a global audience. Users can download PDF files of research papers, theses, and dissertations covering a wide range of subjects. Academia.edu also provides a platform for discussions and networking within the academic community. When it comes to downloading Gmc Envoy Manual Transmission free PDF files of magazines, brochures, and catalogs, Issuu is a popular choice. This digital publishing platform hosts a vast collection of publications from around the world. Users can search for specific titles or explore various categories and genres. Issuu offers a seamless reading experience with its user-friendly interface and allows users to download PDF files for offline reading. Apart from dedicated platforms, search engines also play a crucial role in finding free PDF files. Google, for instance, has an advanced search feature that allows users to filter results by file type. By specifying the file type as "PDF," users can find websites that offer free PDF downloads on a specific topic. While downloading Gmc Envoy Manual Transmission free PDF files is

convenient, its important to note that copyright laws must be respected. Always ensure that the PDF files you download are legally available for free. Many authors and publishers voluntarily provide free PDF versions of their work, but its essential to be cautious and verify the authenticity of the source before downloading Gmc Envoy Manual Transmission. In conclusion, the internet offers numerous platforms and websites that allow users to download free PDF files legally. Whether its classic literature, research papers, or magazines, there is something for everyone. The platforms mentioned in this article, such as Project Gutenberg, Open Library, Academia.edu, and Issuu, provide access to a vast collection of PDF files. However, users should always be cautious and verify the legality of the source before downloading Gmc Envoy Manual Transmission any PDF files. With these platforms, the world of PDF downloads is just a click away.

FAQs About Gmc Envoy Manual Transmission Books

How do I know which eBook platform is the best for me? Finding the best eBook platform depends on your reading preferences and device compatibility. Research different platforms, read user reviews, and explore their features before making a choice. Are free eBooks of good quality? Yes, many reputable platforms offer high-quality free eBooks, including classics and public domain works. However, make sure to verify the source to ensure the eBook credibility. Can I read eBooks without an eReader? Absolutely! Most eBook platforms offer web-based readers or mobile apps that allow you to read eBooks on your computer, tablet, or smartphone. How do I avoid digital eye strain while reading eBooks? To prevent digital eye strain, take regular breaks, adjust the font size and background color, and ensure proper lighting while reading eBooks. What the advantage of interactive eBooks? Interactive eBooks incorporate multimedia elements, quizzes, and activities, enhancing the reader engagement and providing a more immersive learning experience. Gmc Envoy Manual Transmission is one of the best book in our library for free trial. We provide copy of Gmc Envoy Manual Transmission in digital format, so the resources that you find are reliable. There are also many Ebooks of related with Gmc Envoy Manual Transmission. Where to download Gmc Envoy Manual Transmission online for free? Are you looking for Gmc Envoy Manual Transmission PDF? This is definitely going to save you time and cash in something you should think about.

Find Gmc Envoy Manual Transmission :

lying moral choice in public and private life

~~lud in the mist unknown edition by mirrlees hope 2007~~

luthers liturgical music principles and implications lutheran quarterly books

[lt250e manual](#)

[lupin iii y in japanese](#)

[lynx yeti 800 manual](#)

[lung disease in the tropics lung biology in health and disease](#)

[m re crabe moi anne percin ebook](#)

[m2 jet drive manual](#)

[lucas workshop manuals](#)

[lucky starr 2 alamut serie fantastica](#)

[lucky luke 18 singende draht ebook](#)

[lyme borreliosis in europe and north america epidemiology and clinical practice](#)

[lumix gx1 users manual](#)

[lpl 11.17](#)

Gmc Envoy Manual Transmission :

[amazon ae customer reviews secrets of the bikini competitor](#) - May 12 2023

web find helpful customer reviews and review ratings for secrets of the bikini competitor everything you need to rock the stage and win your competition at amazon ae read honest and unbiased product reviews from our users

[secrets of the bikini competitor everything you n pdf](#) - Feb 26 2022

web secrets of the bikini competitor everything you n is open in our digital library an merely said the secrets of the bikini competitor everything you n is universally compatible behind any devices to read scribner s monthly an illustrated magazine for the people 1878 the body reset diet harley pasternak 2014 03 04

[secrets of the bikini competitor everything you need to](#) - Sep 04 2022

web secrets of the bikini competitor everything you need to rock the stage and eur 16 16 À vendre updated june 2016 best rated bikini competition guide on amazon want to 353914711977

[secrets of the bikini competitor everything you need to rock the](#) - Apr 11 2023

web secrets of the bikini competitor everything you need to rock the stage and win your competition wiest valerie r amazon se böcker

[secrets of the bikini competitor facebook](#) - Jun 13 2023

web this page was designed for readers of secrets of the bikini competitor and other bikini competitors as a way to support each other and share tips tricks advice and suggestions

[secrets of the bikini competitor everything you n pdf](#) - Apr 30 2022

web secrets of the bikini competitor everything you n pdf is available in our book collection an online access to it is set as public so you can download it instantly

secrets of the bikini competitor everything you need to - Dec 07 2022

web secrets of the bikini competitor everything you need to rock the stage and win your competition von wiest valerie r bei abebooks de isbn 10 1514198738 isbn 13 9781514198735 createspace independent publishing platform 2015 softcover

secrets of the bikini competitor everything you need to rock the - Jul 14 2023

web secrets of the bikini competitor everything you need to rock the stage and win your competition wiest valerie r amazon sg books

secrets of the bikini competitor everything you need to rock - Mar 30 2022

web secrets of the bikini competitor everything you need to rock the stage and win your competition valerie r wiest venice preserv d thomas otway the corporate income tax system overview and options for reform congressional research service beyond the cape frontier studies in the history of transkei and ciskei christopher

secrets of the bikini competitor everything you need to rock the - Nov 06 2022

web fsecrets of the bikini competitor everything you need to rock the stage and win your competition p d f book book details author valerie r wiest pages

secrets of the bikini competitor everything you need to rock - Jan 28 2022

web find many great new used options and get the best deals for secrets of the bikini competitor everything you need to rock the stage and win at the best online prices at ebay free shipping for many products

secrets of the bikini competitor everything you n tom venuto - Aug 03 2022

web we provide secrets of the bikini competitor everything you n and numerous ebook collections from fictions to scientific research in any way in the midst of them is this secrets of the bikini competitor everything you n that can be your partner

secrets of the bikini competitor everything you n erin stern - Jun 01 2022

web download it instantly our digital library saves in multipart countries allowing you to get the most less latency time to download any of our books like this one merely said the secrets of the bikini competitor everything you n is universally compatible similar to any devices to read the national magazine 1918

secrets of the bikini competitor everything you need to rock - Oct 05 2022

web find many great new used options and get the best deals for secrets of the bikini competitor everything you need to rock the stage and win your competition by valerie wiest 2015 trade paperback at the best online prices at ebay

secrets of the bikini competitor everything you need to rock the - Jan 08 2023

web compre online secrets of the bikini competitor everything you need to rock the stage and win your competition de wiest valerie r na amazon frete grÁtis em milhares de produtos com o amazon prime encontre diversos

secrets of the bikini competitor everything you need to rock the - Aug 15 2023

web secrets of the bikini competitor everything you need to rock the stage and win your competition wiest valerie r amazon com tr kitap

secrets of the bikini competitor everything you need to rock alibris - Mar 10 2023

web in this book you will find everything you need to rock the stage and succeed 8 week training program 3 sample diets interviews with industry pros posing tips tanning advice how to choose a bikini make up tutorial competing as a breastfeeding mom competition countdown and so much more

amazon fr secrets of the bikini competitor everything you need - Feb 09 2023

web noté 5 retrouvez secrets of the bikini competitor everything you need to rock the stage and win your competition et des millions de livres en stock sur amazon fr achetez neuf ou d occasion

secrets of the bikini competitor everything you need to rock - Jul 02 2022

web jun 12 2023 guide everything you must know bikini petitor success secret 3 attitude is everything contest prep articles julie lohre 10 things to know about bikini peting the bloq what training for a bikini petition is really like the bikini secret bikini posing secrets you need to figure petition secrets of the bikini petitor everything you need to

300 top pharmaceuticals 1 mcqs and answers online quiz exam - Sep 05 2022

web pharmaceuticals multiple choice questions pharmaceuticals objective questions and answers pdf msbte d pharmacy students can practice for upcoming exams 1 to identify the emulsion type which of the following tests are conducted a dilution test b dye test c conductivity test d all 2 which of the following is not used as an emulsifying

question bank of pharmaceuticals i - Jan 09 2023

web question bank of pharmaceuticals i multiple choice questions 1 marks each 1 the samhita includes reference to drugs of animals plants and mineral origin used until the first century ad a ebers b charaka c hippocrates d shushruta 2 who is the father of medicine a ebers b hippocrates c egyptian d pontus 3

50 important pharmaceuticals mcq questions with answers pdf - Jun 14 2023

web oct 1 2022 q 1 syrup consist which sugar a sucrose b fructose c maltose d glucose q 2 syrup consists of sucrose in concentration a 76 6 b 66 7 c 67 6 d 76 7 q 3 crystallization of sucrose is due to a low concentration b unsaturation c saturation d drying q 4 syrup is self preservative a true b false q 5

chapter 2 multiple choice questions oxford university press - Mar 11 2023

web denton rostron pharmaceuticals student resources multiple choice questions chapter 2 multiple choice questions

pharmaceutical chemistry quizzes practice mcq - Jan 29 2022

web jul 13 2022 1 pharmaceutical chemistry quizzes practice mcq pharmaceutical chemistry multiple choice question
pharmaceutical chemistry 1 1 general pharmaceutical chemistry mcqs for various pharma

pharmaceutics multiple choice questions docsity - Aug 04 2022

web mar 30 2020 download pharmaceutics multiple choice questions and more biopharmaceutics and pharmacokinetics
exercises in pdf only on docsity

chapter 1 multiple choice questions oxford university press - Dec 08 2022

web hall pharmacy practice student resources multiple choice questions chapter 1 multiple choice questions
0805 pharmaceutics multiple choice questions with answers - Dec 28 2021

web nov 5 2021 with this pharmaceutics mcq questions with answers pdf msbte d pharmacy students can practice for their
upcoming summer 2021 exams we have provided pharmaceutics 1 mcq pdf download link at the end of the pharmaceutics 1
mcq online exam table of contents pharmaceutics 1 multiple choice questions with answers

chapter 8 multiple choice questions oxford university press - Apr 12 2023

web denton rostron pharmaceutics student resources multiple choice questions chapter 8 multiple choice questions
pharmaceutics quiz mcqs on dosage forms solotutes com - Jun 02 2022

web jul 29 2021 practice these important multiple choice questions from the topic pharmaceutical dosage forms in
pharmaceutics subject click on any option to check right answer and explanation 1 of 10

multiple choice questions oxford university press - Aug 16 2023

web multiple choice questions chapter 1 the importance of pharmaceutical chemistry chapter 2 organic structure and
bonding chapter 3 stereochemistry and drug action chapter 4 properties of aliphatic hydrocarbons

pharmaceutics 1 mcq with answer chapterwise unitwise topicwise - Oct 06 2022

web sep 13 2023 pharmaceutics 1 mcq with answer chapterwise unitwise topicwise unit 1 mcq history pharmacopoeia
dosage form prescription posology unit 2 mcq pharmaceutical calculations powders liquid dosage form unit 3 mcq
monophasic liquid dosage form emulsion suspension unit 4 mcq suppositories pharmaceutical

multiple choice questions oxford university press - Feb 10 2023

web multiple choice questions chapter 1 the profession and practice of pharmacy chapter 2 organization of health care in the
uk chapter 3 legal and ethical matters chapter 4 public health

chapter 9 multiple choice questions oxford university press - Nov 07 2022

web denton rostron pharmaceutics student resources multiple choice questions chapter 9 multiple choice questions

90 pharmaceutics solved mcqs with pdf download mcqmate - May 13 2023

web question and answers in pharmaceuticals pharmaceuticals multiple choice questions and answers pharmaceuticals important mcqs solved mcqs for pharmaceuticals pharmaceuticals mcqs with answers pdf download

dispensing pharmacy mcqs pharmaceuticals i multiple choice questions - Jul 03 2022

web pharmaceuticals i multiple choice questions 2021 bp103tp pharmaceuticals question bank mcq to identify the emulsion type which of the following tests are conducted a dilution test b dye test c conductivity test d all which of the following is not used as an emulsifying agent a surfactant b hydrophilic colloid c electrolytes d

0805 pharmaceuticals 1 d pharmacy mock test series msbte news - Feb 27 2022

web jun 15 2021 in this pharmaceuticals 1 multiple choice questions with answers we have selected 30 important questions from the previous 4 year papers with this pharmaceuticals objective questions and answers pdf msbte d pharmacy students can practice for their upcoming summer 2021 exams we have provided mcq on pharmaceuticals 1 link at the

[prescription quiz pharmaceuticals multiple choice questions](#) - May 01 2022

web jan 24 2022 take prescription quiz to test your knowledge and understanding of prescription inquiry based learning is a way to boost your academic performance click on the button to select your answer at the end of question 12 hit the finish button to see your score and the correct answers

chapter 1 multiple choice questions oxford university press - Jul 15 2023

web denton rostron pharmaceuticals student resources multiple choice questions chapter 1 multiple choice questions

multiple choice and short questions dr naitik - Mar 31 2022

web test 1 practice section of multiple choice questions with google form b pharm semester 1st human anatomy and physiology i pharmaceutical analysis pharmaceuticals i b pharm semester 2nd human anatomy and physiology ii b pharm semester 3rd

lettering el arte de las letras bonitas mundo lettering - Aug 09 2022

web el arte del lettering uploaded by carmen palomera gabriel copyright all rights reserved available formats download as pdf or read online from scribd flag for

[el arte del lettering happy letters casa del libro](#) - Dec 13 2022

web jun 8 2023 bienvenidos al apasionante mundo del lettering donde las palabras se convierten en auténticas obras de arte en este artículo exploraremos a fondo los

el arte del lettering pdf scribd - Dec 01 2021

el arte del lettering ideas y ejercicios paso a paso para aprender - Sep 10 2022

web mar 27 2018 arte del lettering el colorear y creatividad colorear creatividad arte del lettering el isbn 9788417030971

hay existencias

lettering el arte de dibujar letras alternativas transpero - Jun 07 2022

web nov 20 2022 explore liv young s board el arte followed by 185 people on pinterest see more ideas about typography

alphabet lettering alphabet fonts alphabet

el arte del lettering spanish edition - Mar 16 2023

web el lettering es el arte de dibujar palabras es decir no las escribimos sino que dibujamos las letras las trabajamos una a una dándoles personalidad propia con el lettering

el arte del lettering spanish edition amazon com - Feb 15 2023

web may 22 2023 explora el arte del lettering y descubre en qué consiste las distintas técnicas y las mejores herramientas para dejar huella con tus letras envío gratuito

el arte del lettering sirio tapa blanda 5 marzo 2018 - Aug 21 2023

web el lettering no es sólo texto sino ilustrar con letras una ilustración y mensaje formando un conjunto decorativo tiene ese aire auténtico de las cosas hechas a mano requiere

el arte del lettering reseña opinión y fotos 2023 - Sep 29 2021

hand lettering diseñar letras a mano adobe creative - Jan 14 2023

web lettering el arte de dibujar letras alternativas inicio noticias lettering el arte de dibujar letras alternativas vocero 2 años atrás 8 minutos de lectura advertisement

55 el arte ideas typography alphabet lettering alphabet - Oct 31 2021

el arte del lettering explorando la belleza de las letras - Jul 08 2022

web b el codo deberá estar lejos del torso formando un ángulo de 45 la intención de esta guía es soltar la mano y familiarizarnos con la manera correcta de sujetar el lápiz c el

lettering qué es y en qué se diferencia de la - May 18 2023

web el arte del lettering ideas y ejercicios paso a paso para aprender a dibujar letras bonitas happy letters sirio 9788417030971 escribe tu

lettering qué es y diferencias con la tipografía y la - Apr 17 2023

web el arte del lettering ideas y ejercicios paso a paso para aprender letras bonitas varios autores editorial ediciones urano materia artes plásticas pintura y escultura

lettering el arte de dibujar letras blog adobe - Jul 20 2023

web sep 6 2021 estuvimos conversando con la diseñadora gráfica de profesión artista y docente de lettering por pasión que nos explicó de qué trata este arte tips para sacar [el arte del lettering pdf scribd](#) - Jan 02 2022

arte del lettering el editorialsirio com - Feb 03 2022

[el arte del lettering by happy letters goodreads](#) - Oct 11 2022

web nov 7 2022 el lettering es el arte construido a partir de letras mediante una combinación específica de trazos en la forma de las tipografías con frecuencia se suele confundir el

qué es el lettering adobe creative cloud - Jun 19 2023

web amazon com el arte del lettering spanish edition 9788417030971 velazquez galeote marta libros libros arte y fotografía otros medios nuevo

el arte del lettering amor disney planetadelibros - Nov 12 2022

web curso online de lettering el arte de dibujar letras aprende a dibujar letras bonitas y simétricas en procreate para diseñar letterings de calidad profesional luis lili

lettering el arte de dibujar letras luis lili curso crehana - Apr 05 2022

1 el arte de los títulos lettering cómo hacerlos y ejemplos - May 06 2022

web aug 19 2023 te gustaría aprender lettering pero no lo consigues no te preocupes te voy a hablar de un libro por el que quizás sientas curiosidad ya que te enseña a cómo

el arte del lettering guía de materiales básicos para - Mar 04 2022