



ITEM #0411913

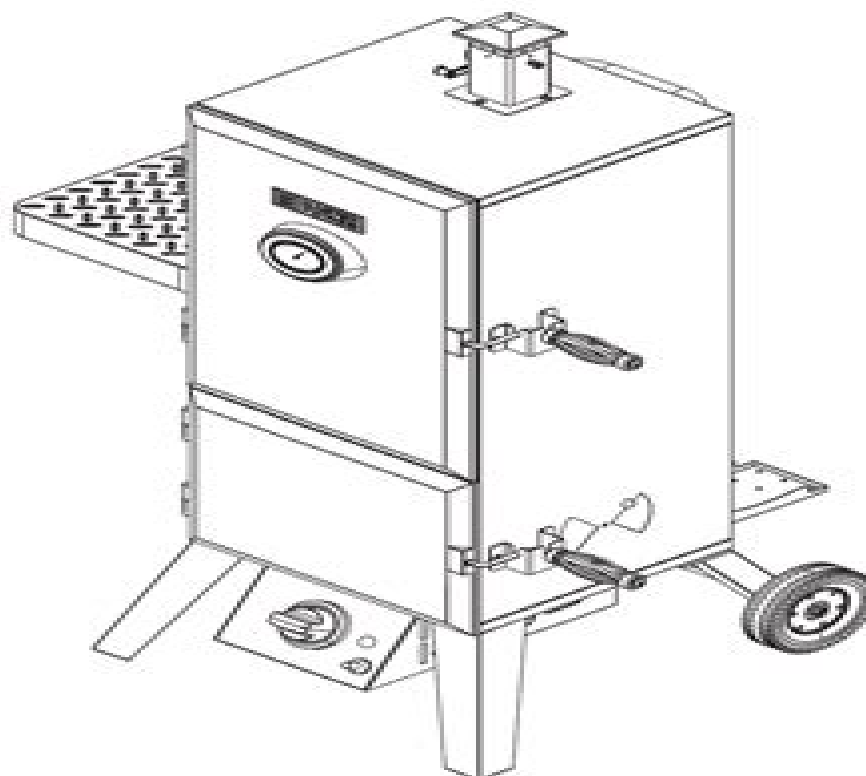
2-Door Gas Smoker

MODEL #MFX784BDP

Français p. 27

Español p. 54

Master Forge & M Design® are registered trademarks of LF, LLC. All rights reserved.



ATTACH YOUR RECEIPT HERE

Serial Number _____ Purchase Date _____



Questions, problems, missing parts? Before returning to your retailer, call our customer service department at 1-800-963-0211, 8:00 a.m. – 6:00 p.m. EST, Monday – Thursday, 8:00 a.m. – 5:00 p.m. EST, Friday.



Master Forge User Manual

KJ Lindholm-Leary



Master Forge User Manual:

Steel's Ship-master's Assistant, and Owner's Manual David Steel,1839 **The Ship-master's Assistant and Owner's Manual** David Steel,1801 **The Ship-master's Assistant and Owner's Manual** ,1796 The ship-master's assistant, and owner's manual. [With] David Steel,1832 **The Ship-Master's Assistant and Owner's Manual, containing complete information relative to the mercantile and maritime laws and customs ... Tenth edition ... enlarged** David Steel,1821 **The Ship-Master's Assistant and Owner's Manual ... The Sixth Edition, Considerably Improved and Enlarged ... The Whole Compiled ... by a Gentleman of the Inner Temple [i.e. David Steel].** David Steel,1795 Canadian Welder, Blacksmith, and Repairman ,1948 *Technical Manual* United States. War Department,1949 **Outcastia Campaign Setting Book III: Campaign Master's Manual** Nitehawk Interactive Games,2012-07-19 Welcome to Book III of the Outcastia Campaign Setting for the d20 System You ve journeyed through the land in World Tour and learned what you need to know about the realm you dove into the meat of the Setting with newly designed gaming elements that help you make your mark in the Land of Dragons with the Player s Guidebook now it is time for you to delve into creating your own games as the Campaign Master TM with Book III The Campaign Master s Manual This book includes In depth NPCs to add to your games to both strengthen them and to freshen them up a sampling of monsters unique to Outcastia to wet your appetite before the release of The Tome of Terrors and more With this book you will have everything you need to run a campaign in the realm of Outcastia and beyond Everything you need is included So what are you waiting for Grab some paper and pencils Bring out that dice Rev up your imagination Your journey awaits if you have the nerve Bulletin of the Brooklyn Public Library Brooklyn Public Library,1919 **Manual Training Magazine** Charles Alpheus Bennett,1919 **Field Manuals** United States. War Department,1941 **The Railroad Car Journal** ,1893

Encyclopedia and Handbook of Materials, Parts and Finishes Mel Schwartz,2016-07-06 A great deal of progress has been made in the development of materials their application to structures and their adaptation to a variety of systems and integrated across a wide range of industrial applications This encyclopedia serves the rapidly expanding demand for information on technological developments In addition to providing information **Military Occupational Specialties Manual (MOS Manual).** United States. Marine Corps,1991 **Dungeon Master's Guide** Monte Cook,Jonathan Tweet,Skip Williams,2000 Shows the reader how to be a Dungeon Master **Official Gazette of the United States Patent and Trademark Office** ,2006 **Newsletter** ,1986 **Energy Research Abstracts** ,1988 **Manual of the A.G.C.** ,1925

The Top Books of the Year Master Forge User Manual The year 2023 has witnessed a noteworthy surge in literary brilliance, with numerous captivating novels captivating the hearts of readers worldwide. Lets delve into the realm of top-selling books, exploring the engaging narratives that have charmed audiences this year. The Must-Read : Colleen Hoovers "It Ends with Us" This heartfelt tale of love, loss, and resilience has captivated readers with its raw and emotional exploration of domestic abuse. Hoover skillfully weaves a story of hope and healing, reminding us that even in the darkest of times, the human spirit can succeed. Uncover the Best : Taylor Jenkins Reids "The Seven Husbands of Evelyn Hugo" This spellbinding historical fiction novel unravels the life of Evelyn Hugo, a Hollywood icon who defies expectations and societal norms to pursue her dreams. Reids captivating storytelling and compelling characters transport readers to a bygone era, immersing them in a world of glamour, ambition, and self-discovery. Master Forge User Manual : Delia Owens "Where the Crawdads Sing" This mesmerizing coming-of-age story follows Kya Clark, a young woman who grows up alone in the marshes of North Carolina. Owens spins a tale of resilience, survival, and the transformative power of nature, entrancing readers with its evocative prose and mesmerizing setting. These top-selling novels represent just a fraction of the literary treasures that have emerged in 2023. Whether you seek tales of romance, adventure, or personal growth, the world of literature offers an abundance of compelling stories waiting to be discovered. The novel begins with Richard Papen, a bright but troubled young man, arriving at Hampden College. Richard is immediately drawn to the group of students who call themselves the Classics Club. The club is led by Henry Winter, a brilliant and charismatic young man. Henry is obsessed with Greek mythology and philosophy, and he quickly draws Richard into his world. The other members of the Classics Club are equally as fascinating. Bunny Corcoran is a wealthy and spoiled young man who is always looking for a good time. Charles Tavis is a quiet and reserved young man who is deeply in love with Henry. Camilla Macaulay is a beautiful and intelligent young woman who is drawn to the power and danger of the Classics Club. The students are all deeply in love with Morrow, and they are willing to do anything to please him. Morrow is a complex and mysterious figure, and he seems to be manipulating the students for his own purposes. As the students become more involved with Morrow, they begin to commit increasingly dangerous acts. The Secret History is a masterful and thrilling novel that will keep you guessing until the very end. The novel is a warning tale about the dangers of obsession and the power of evil.

http://www.armchairempire.com/book/virtual-library/Documents/manuals_for_a_285_massey_ferguson_tractor.pdf

Table of Contents Master Forge User Manual

1. Understanding the eBook Master Forge User Manual
 - The Rise of Digital Reading Master Forge User Manual
 - Advantages of eBooks Over Traditional Books
2. Identifying Master Forge User Manual
 - Exploring Different Genres
 - Considering Fiction vs. Non-Fiction
 - Determining Your Reading Goals
3. Choosing the Right eBook Platform
 - Popular eBook Platforms
 - Features to Look for in an Master Forge User Manual
 - User-Friendly Interface
4. Exploring eBook Recommendations from Master Forge User Manual
 - Personalized Recommendations
 - Master Forge User Manual User Reviews and Ratings
 - Master Forge User Manual and Bestseller Lists
5. Accessing Master Forge User Manual Free and Paid eBooks
 - Master Forge User Manual Public Domain eBooks
 - Master Forge User Manual eBook Subscription Services
 - Master Forge User Manual Budget-Friendly Options
6. Navigating Master Forge User Manual eBook Formats
 - ePub, PDF, MOBI, and More
 - Master Forge User Manual Compatibility with Devices
 - Master Forge User Manual Enhanced eBook Features
7. Enhancing Your Reading Experience
 - Adjustable Fonts and Text Sizes of Master Forge User Manual
 - Highlighting and Note-Taking Master Forge User Manual
 - Interactive Elements Master Forge User Manual
8. Staying Engaged with Master Forge User Manual

- Joining Online Reading Communities
 - Participating in Virtual Book Clubs
 - Following Authors and Publishers Master Forge User Manual
9. Balancing eBooks and Physical Books Master Forge User Manual
- Benefits of a Digital Library
 - Creating a Diverse Reading Collection Master Forge User Manual
10. Overcoming Reading Challenges
- Dealing with Digital Eye Strain
 - Minimizing Distractions
 - Managing Screen Time
11. Cultivating a Reading Routine Master Forge User Manual
- Setting Reading Goals Master Forge User Manual
 - Carving Out Dedicated Reading Time
12. Sourcing Reliable Information of Master Forge User Manual
- Fact-Checking eBook Content of Master Forge User Manual
 - Distinguishing Credible Sources
13. Promoting Lifelong Learning
- Utilizing eBooks for Skill Development
 - Exploring Educational eBooks
14. Embracing eBook Trends
- Integration of Multimedia Elements
 - Interactive and Gamified eBooks

Master Forge User Manual Introduction

In this digital age, the convenience of accessing information at our fingertips has become a necessity. Whether its research papers, eBooks, or user manuals, PDF files have become the preferred format for sharing and reading documents. However, the cost associated with purchasing PDF files can sometimes be a barrier for many individuals and organizations. Thankfully, there are numerous websites and platforms that allow users to download free PDF files legally. In this article, we will explore some of the best platforms to download free PDFs. One of the most popular platforms to download free PDF files is Project Gutenberg. This online library offers over 60,000 free eBooks that are in the public domain. From classic literature to

historical documents, Project Gutenberg provides a wide range of PDF files that can be downloaded and enjoyed on various devices. The website is user-friendly and allows users to search for specific titles or browse through different categories. Another reliable platform for downloading Master Forge User Manual free PDF files is Open Library. With its vast collection of over 1 million eBooks, Open Library has something for every reader. The website offers a seamless experience by providing options to borrow or download PDF files. Users simply need to create a free account to access this treasure trove of knowledge. Open Library also allows users to contribute by uploading and sharing their own PDF files, making it a collaborative platform for book enthusiasts. For those interested in academic resources, there are websites dedicated to providing free PDFs of research papers and scientific articles. One such website is Academia.edu, which allows researchers and scholars to share their work with a global audience. Users can download PDF files of research papers, theses, and dissertations covering a wide range of subjects. Academia.edu also provides a platform for discussions and networking within the academic community. When it comes to downloading Master Forge User Manual free PDF files of magazines, brochures, and catalogs, Issuu is a popular choice. This digital publishing platform hosts a vast collection of publications from around the world. Users can search for specific titles or explore various categories and genres. Issuu offers a seamless reading experience with its user-friendly interface and allows users to download PDF files for offline reading. Apart from dedicated platforms, search engines also play a crucial role in finding free PDF files. Google, for instance, has an advanced search feature that allows users to filter results by file type. By specifying the file type as "PDF," users can find websites that offer free PDF downloads on a specific topic. While downloading Master Forge User Manual free PDF files is convenient, it's important to note that copyright laws must be respected. Always ensure that the PDF files you download are legally available for free. Many authors and publishers voluntarily provide free PDF versions of their work, but it's essential to be cautious and verify the authenticity of the source before downloading Master Forge User Manual. In conclusion, the internet offers numerous platforms and websites that allow users to download free PDF files legally. Whether it's classic literature, research papers, or magazines, there is something for everyone. The platforms mentioned in this article, such as Project Gutenberg, Open Library, Academia.edu, and Issuu, provide access to a vast collection of PDF files. However, users should always be cautious and verify the legality of the source before downloading Master Forge User Manual any PDF files. With these platforms, the world of PDF downloads is just a click away.

FAQs About Master Forge User Manual Books

1. Where can I buy Master Forge User Manual books? Bookstores: Physical bookstores like Barnes & Noble, Waterstones,

- and independent local stores. Online Retailers: Amazon, Book Depository, and various online bookstores offer a wide range of books in physical and digital formats.
2. What are the different book formats available? Hardcover: Sturdy and durable, usually more expensive. Paperback: Cheaper, lighter, and more portable than hardcovers. E-books: Digital books available for e-readers like Kindle or software like Apple Books, Kindle, and Google Play Books.
 3. How do I choose a Master Forge User Manual book to read? Genres: Consider the genre you enjoy (fiction, non-fiction, mystery, sci-fi, etc.). Recommendations: Ask friends, join book clubs, or explore online reviews and recommendations. Author: If you like a particular author, you might enjoy more of their work.
 4. How do I take care of Master Forge User Manual books? Storage: Keep them away from direct sunlight and in a dry environment. Handling: Avoid folding pages, use bookmarks, and handle them with clean hands. Cleaning: Gently dust the covers and pages occasionally.
 5. Can I borrow books without buying them? Public Libraries: Local libraries offer a wide range of books for borrowing. Book Swaps: Community book exchanges or online platforms where people exchange books.
 6. How can I track my reading progress or manage my book collection? Book Tracking Apps: Goodreads, LibraryThing, and Book Catalogue are popular apps for tracking your reading progress and managing book collections. Spreadsheets: You can create your own spreadsheet to track books read, ratings, and other details.
 7. What are Master Forge User Manual audiobooks, and where can I find them? Audiobooks: Audio recordings of books, perfect for listening while commuting or multitasking. Platforms: Audible, LibriVox, and Google Play Books offer a wide selection of audiobooks.
 8. How do I support authors or the book industry? Buy Books: Purchase books from authors or independent bookstores. Reviews: Leave reviews on platforms like Goodreads or Amazon. Promotion: Share your favorite books on social media or recommend them to friends.
 9. Are there book clubs or reading communities I can join? Local Clubs: Check for local book clubs in libraries or community centers. Online Communities: Platforms like Goodreads have virtual book clubs and discussion groups.
 10. Can I read Master Forge User Manual books for free? Public Domain Books: Many classic books are available for free as they're in the public domain. Free E-books: Some websites offer free e-books legally, like Project Gutenberg or Open Library.

Find Master Forge User Manual :

manuals for a 285 massey ferguson tractor

[marielitos balseros and other exiles](#)

marijuana the shocking truth revealed marijuana benefits

[marathichavatkatha.com](#)

[many voices an anthology of student writings](#)

[manufacturing design production automation and integration manufacturing engineering and materials processing](#)

marcher entre r alit s michael roads ebook

[marco polo hamburg l beck umgebung](#)

[maquet servo s ventilator user manual](#)

[manuals yard machines](#)

[marieb and hoehn laboratory manual ninth edition](#)

[marco polo 3 libro geografia](#)

marathi kamuk aai katha

[mari takabayashi](#)

[marantz rc1400 manual](#)

Master Forge User Manual :

[les annales de la compagnie noire 6 la pointe d argent poche](#) - Aug 17 2023

web alors que toubib et les survivants de la compagnie noire cheminent vers kathovar une bande d escrocs à la petite semaine entreprennent de subtiliser la pointe d argent qui emprisonne l âme du dominateur la nouvelle du vol se répand et

[les annales de la compagnie noire series by glen cook goodreads](#) - Aug 05 2022

web soldats de pierre tome 2 by glen cook 4 55 53 ratings 4 reviews published 2000 3 editions en ce temps là la compagnie ne servait qu elle mê want to read rate it the french numbering order of the chronicle of the black company the black company the chronicles of the black company 1 shadows linger the chroni

la pointe d argent les annales de la compagnie noire tome 6 - Jun 15 2023

web la pointe d argent est un tome à part de la saga des annales de la compagnie noire puisqu il ne suit ni le destin de la dame ni celui de toubib un groupe de quatre hommes malhonnêtes et avides

[les annales de la compagnie noire tome 6 par kiichigo](#) - Mar 12 2023

web dec 19 2014 la pointe d argent est un tome à part de la saga des annales de la compagnie noire puisqu il ne suit ni le destin de la dame ni celui de toubib un groupe de quatre hommes malhonnêtes et avides

les annales de la compagnie noire les 14 livres de la série - May 14 2023

web j étais à la bataille des tumulus où la dame la rose blanche et la compagnie noire alliées pour un temps ont mis fin à la menace du dominateur on a brûlé son corps dispersé les cendres et emprisonné son âme maléfique dans une pointe d argent clouée sur un arbuste le rejeton d une espèce de dieu

critiques de les annales de la compagnie noire tome 6 babelio - Jul 16 2023

web oct 4 2012 1 2 20 critiques sur ce livre après les excellents quatrième et cinquième tomes laissant le devant de la scène au couple détonnant formé par toubib et madame et à leurs aventures sur la route de khatovar je dois avouer que j ai é

les annales de la compagnie noire tome 6 librairie eyrolles - Jul 04 2022

web pendant que toubis et les survivants de la compagnie cheminent vers kathovar une bande d escrocs à la petite semaine entreprennent de subtiliser la point d argent qui emprisonne l âme du dominateur la nouvelle du vol se répand comme une traînée

les annales de la compagnie noire intégrale 2 babelio - Apr 01 2022

web sep 2 2015 critiques 7 citations 64 extraits de les annales de la compagnie noire intégrale 2 rien n est tout blanc ou tout noir suivant le point de vue et le camp dans lequel il ma préférence va sur le troisième tome la pointe d argent trame qui n a pas à un lien direct avec la compagnie noire mais se centre sur des

les annales de la compagnie noire tome 6 fnac - Feb 11 2023

web les annales de la compagnie noire tome 6 second cycle volume 3 tome 0000 la pointe d argent la compagnie noire 06 glen cook alain robert atalante des milliers de livres avec la livraison chez vous en 1 jour ou en magasin avec 5 de réduction

les annales de la compagnie noire tome 6 amazon com au - Jan 10 2023

web les annales de la compagnie noire tome 6 la pointe d argent cook glen amazon com au books

les annales de la compagnie noire tome 6 poche decitre - Sep 06 2022

web apr 26 2007 pendant que toubis et les survivants de la compagnie cheminent vers kathovar une bande d escrocs à la petite semaine entreprennent de subtiliser la point d argent qui emprisonne l âme du dominateur la nouvelle du vol se répand comme une traînée de poudre et la ville d aviron s embrase

critiques de les annales de la compagnie noire tome 6 babelio - Oct 07 2022

web jan 29 2013 20 critiques sur ce livre tome 6 des annales de la compagnie noire après l avoir mis très longtemps de côté je me suis replongée dedans et l ai fini d une traite je ne cache pas ma déception à la lecture de ce nouveau to

livres les annales de la compagnie noire fnac - May 02 2022

web les annales de la compagnie noire glen cook alain robert 5 9 73 vendu par le lieu bleu 9 occasions dès 8 99 ajouter au panier les annales de la compagnie noire tome 1 la compagnie noire roman poche tome 1 les annales de la compagnie noire glen cook patrick couton 4

les annales de la compagnie noire tome 6 la pointe d argent - Nov 08 2022

web les annales de la compagnie noire tome 6 la pointe d argent par glen cook aux éditions l atalante mon nom est philodendron casier si je me suis engagé c est pour fuir ma famille des ramasseurs de patates fichus de coller un prénom pareil à un mouflet j

les annales de la compagnie noire intégrale 1 babelio - Feb 28 2022

web mar 11 2015 4 31 5 143 notes résumé le présent recueil rassemble les trois premiers volumes du cycle la compagnie noire le château noir et la rose blanche on dit que les mercenaires n ont pas d âme mais ils ont une mémoire la nôtre celle de la dernière des compagnies franches de khatovar vous la tenez entre vos mains

les annales de la compagnie noire tome 6 tome 6 fnac - Dec 09 2022

web des milliers de livres avec la livraison chez vous en 1 jour ou en magasin avec 5 de réduction les annales de la compagnie noire tome 6 tome 6 la pointe d argent glen cook alain robert poche achat livre fnac

les annales de la compagnie noire tome 6 rakuten - Jun 03 2022

web apr 3 2017 les annales de la compagnie noire tome 6 la pointe d argent occasion dès 1 90 les annales de la compagnie noire intégrale tome 2 jeux d ombres rêves d acier la pointe d argent neuf dès 18 50

les annales de la compagnie noire tome 6 la pointe d argent - Sep 18 2023

web 7 commentaires et 10 extraits découvrez le livre les annales de la compagnie noire tome 6 la pointe d argent lu par 238 membres de la communauté booknode

la pointe d argent les annales de la compagnie noire tome 6 par m le - Apr 13 2023

web may 17 2014 la pointe d argent est un tome à part de la saga des annales de la compagnie noire puisqu il ne suit ni le destin de la dame ni celui de toubib un groupe de quatre hommes malhonnêtes et avides

les annales de la compagnie noire tome 6 la pointe d argent - Oct 19 2023

web apr 26 2007 pendant que toubib et les survivants de la compagnie cheminent vers kathovar une bande d escrocs à la petite semaine entreprennent de subtiliser la pointe d argent qui emprisonne l âme du dominateur la nouvelle du vol se répand comme une traînée de poudre et la ville d aviron s embrase

the purim story picture books for ages 3 8 jewish holidays - Dec 31 2022

web the purim story picture books for ages 3 8 jewish holidays series mazor sarah christyani marscheila 9781496049582 books amazon ca

the purim story picture books for ages 3 8 jewish holidays - Feb 01 2023

web feb 24 2014 check out the beautiful new release queen esther s big secret a purim story isbn 13 978 1797734712 the purim the purim story picture books for ages 3 8 jewish holidays series 36 by sarah mazor marscheila christyani illustrator view more paperback

the purim story picture books for ages 3 8 jewish holidays - Jul 06 2023

web the purim story picture books for ages 3 8 jewish holidays series mazor sarah christyani marscheila amazon com au books

the purim story picture books for ages 3 8 jewish holidays - Nov 29 2022

web the purim story picture books for ages 3 8 jewish holidays series mazor sarah christyani marscheila amazon se böcker

the purim story picture books for ages 3 8 jewish holidays - Apr 03 2023

web abebooks com the purim story picture books for ages 3 8 jewish holidays series jewish holiday books for children new the purim story picture books for ages 3 8 jewish holidays series jewish holiday books for children by mazor sarah new paperback 2014 byrd books

buy the purim story picture books for ages 3 8 jewish - Sep 27 2022

web amazon in buy the purim story picture books for ages 3 8 jewish holidays series children s books with good values book online at best prices in india on amazon in read the purim story picture books for ages 3 8 jewish holidays series children s books with good values book reviews author details and more at amazon in free

the purim story picture books for ages 3 8 jewish book world - Aug 07 2023

web feb 27 2014 the purim story is a kid appropriate retelling of queen esther s and uncle mordechai s success in thwarting wicked haman s plot sweet rhymes and great pictures make this book fun for kids and adults

the purim story picture books for ages 3 8 jewish holidays - Jul 26 2022

web buy the purim story picture books for ages 3 8 jewish holidays series by marscheila christyani illustrator sarah mazor online at alibris we have new and used copies available in 1 editions starting at 32 00

the purim story picture books for ages 3 8 jewish holidays - Aug 27 2022

web the purim story picture books for ages 3 8 jewish holidays series mazor sarah christyani marscheila amazon it libri

the purim story picture books for ages 3 8 jewish holidays - Apr 22 2022

web compre online the purim story picture books for ages 3 8 jewish holidays series de mazor sarah christyani marscheila na amazon frete grÁtis em milhares de produtos com o amazon prime encontre diversos livros escritos por mazor sarah christyani marscheila com ótimos preços

the purim story picture books for ages 3 8 jewish holidays - May 04 2023

web buy the purim story picture books for ages 3 8 jewish holidays series children s books with good value written by sarah mazor 2014 edition publisher createspace independent publishing paperback by sarah mazor isbn 8601418231646 from amazon s book store everyday low prices and free delivery on eligible orders

the purim story picture books for ages 3 8 jewish holidays - Sep 08 2023

web buy the purim story picture books for ages 3 8 jewish holidays series jewish holiday books for children by mazor sarah christyani marscheila isbn 9781496049582 from amazon s book store free uk delivery on eligible orders

amazon com purim books for kids - Jun 24 2022

web the purim story picture books for ages 3 8 jewish holidays series jewish holiday books for children book 5 of 8 jewish holiday books for children 4 0 4 0 out of 5 stars 42

the purim story picture books for ages 3 8 jewish holidays - Oct 09 2023

web feb 24 2014 the purim story picture books for ages 3 8 jewish holidays series jewish holiday books for children mazor sarah christyani marscheila on amazon com free shipping on qualifying offers the purim story picture books for ages 3 8 jewish holidays series jewish holiday books for children

the purim story picture books for ages 3 8 jewish holidays - Mar 02 2023

web abebooks com the purim story picture books for ages 3 8 jewish holidays series jewish holiday books for children 9781496049582 by mazor sarah and a great selection of similar new used and collectible books available now at great prices

purim story for families reform judaism - Mar 22 2022

web purim story for families rabbi sara y sapadin our purim story comes from the book of esther megillat esther which can be found in the writings ketuvim section of our jewish bible or tanach long ago in a land far far away in a place called shushan of the famed empire of persia there lived a king whose name was ahashuerus and

the purim story picture books for ages 3 8 jewish holidays - Oct 29 2022

web the purim story picture books for ages 3 8 jewish holidays series jewish holiday books for children band 5 mazor sarah christyani marscheila amazon de bücher

the purim story picture books for ages 3 8 jewish holidays - May 24 2022

web the purim story picture books for ages 3 8 jewish holidays series jewish holiday books for children mazor sarah amazon com mx libros

purim social studies for kids - Feb 18 2022

web purim is the most festive of all the jewish holidays it occurs on the 14th and 15th days of adar the 12th month of the jewish calendar on the western calendar for 2023 this is march 6 the story of purim is a happy one the story of a great victory over near certain doom its hero is a woman esther

the purim story picture books for ages 3 8 jewish holidays - Jun 05 2023

web the purim story picture books for ages 3 8 jewish holidays series jewish holiday books for children by mazor sarah isbn 10 1496049586 isbn 13 9781496049582 createspace independent publishing platform 2014 softcover

families families families lang suzanne 9780553499384 - Sep 06 2022

web mar 24 2015 families of hippos tigers lions ostriches and whales join the other family groups in the final spread the loud and clear message is that if you love each other then you are a family and imagine the many children who will be reassured because they have found a portrait of a family they will recognize as their own

new project housing and new nuclear families - Jun 03 2022

web they mean family and woman in certain regions of turkey the arabic word for house i e mesken is rather than an architectural structure a place where humans families and even animals live bozkurt 1995 p 502 this means that a home is not merely a lifeless place of shelter the home symbolizes a place where family relations and

families families families jojo s book club - Oct 07 2022

web nov 23 2020 families families families by suzanne lang is a celebration of families of all shapes and sizes no matter your family size or makeup if you love each other you are a family moms dads sisters brothers and even great aunt sue appear in dozens of combinations demonstrating all kinds of families

best places to live in istanbul for expats and families - Feb 11 2023

web oct 31 2022 bakirkoy area bakirkoy is one of the best places to live in istanbul for families and it is located in the heart of european istanbul the area is characterized by a unique coastline along the sea of marmara and a distinctive coastal climate throughout the year as well as charming landscapes

proud of my family families families families youtube - Apr 01 2022

web jun 23 2020 try youtube kids learn more families families families by suzanne lang and max lang fun and colorful illustrations of animals walk the reader through different family configurations such as

families families families by suzanne lang 9780553499384 - Jun 15 2023

web moms dads sisters brothers and even great aunt sue appear in dozens of combinations demonstrating all kinds of nontraditional families silly animals are cleverly depicted in framed portraits and offer a warm celebration of family love

families families families lang suzanne author free - Aug 05 2022

web a host of animals portrays all kinds of non traditional families notes no table of contents no page numbers access restricted item true addeddate 2019 06 10 16 11 41 boxid ia1383813 camera sony alpha a6300 control external identifier urn oclc record 904754964

families ne demek ileilgili org - Feb 28 2022

web english all happy families resemble each other each unhappy family is unhappy in its own way turkish bütün mutlu aileler birbirine benzer mutsuz olan her aile mutsuzluğunu kendine göre yaşar families ingilizcede ne demek families nerede nasıl kullanılır all the families Çoluk çocuk bereaved families yaşlı aileler yas

top 10 wealthiest families of turkey yeni Şafak - Mar 12 2023

web nov 16 2016 economist a weekly magazine determined the richest 100 families in turkey according to the survey of the nation s wealthiest 100 families the following are the top 10 families

families families families by suzanne lang max lang pdf - May 14 2023

web families families families by suzanne lang max lang uploaded by random house kids description a host of silly animals in dozens of combinations demonstrate all kinds of nontraditional families cleverly depicted as framed portraits these goofy creatures offer a warm celebration of family love copyright all rights reserved

families families families read aloud youtube - Aug 17 2023

web mar 27 2020 families families families by suzanne lang and max lang read by mrs wyatt this is a great book to help children understand that no two families look the

families ile ilgili cümleler - Jul 04 2022

web the nuclear family is a young prejudice in fact families have only been built around the few immediate members in the last 50 or 60 years of relative wealth Çekirdek aile genç bir önyargıdır aslında aileler sadece görel zenginliğin son 50 ya da 60 yılı içinde birkaç yakın üyenin etrafında inşa edilmiştir

families families families by suzanne lang and max lang - Dec 29 2021

web dec 8 2019 about press copyright contact us creators advertise developers terms privacy policy safety how youtube works test new features nfl sunday ticket press copyright

families türkçe Çeviri bab la İngilizce türkçe sözlük - Apr 13 2023

web Ücretsiz İngilizce türkçe sözlükte families in karşılığı ve başka pek çok türkçe çeviri bab la online dictionaries vocabulary conjugation grammar share

family definition meaning members types facts - Dec 09 2022

web sep 8 2023 family a group of persons united by the ties of marriage blood or adoption constituting a single household and interacting with each other in their respective social positions usually those of spouses parents children and siblings learn more about families in this article

families in society boundaries and relationships - Nov 08 2022

web skip to bottom content giriş

new project housing and new nuclear families trdizin - Jan 10 2023

web due to our observations concerning changes in homes and families in istanbul we plan to address the societal effects of new project housing zones accordingly two pertinent questions may be asked i is there a relationship between housing plans and family types ii does housing environment affect the relationships between families and

families families families by suzanne lang goodreads - Jul 16 2023

web mar 24 2015 families families families is a children s picture book written by suzann lang and illustrated by max lang which focus on the definition of family and what constitutes a family this book explores a myriad of families and validating each and every one is accepted

tureng fam türkçe İngilizce sözlük - Jan 30 2022

web İngilizce türkçe online sözlük tureng kelime ve terimleri çevir ve farklı aksanlarda sesli dinleme fam dost fam familiar benzer fam kanka fam family aile ne demek

[familia ana sayfa](#) - May 02 2022

web ben anne pompom ailem benim herşeyim onları çok seviyorum tüm evi çekip çevirir pratikliğim sayesinde ailemin her ihtiyacına yetişirim mutfakta vakit geçirmeyi eşime ve çocuklarıma güzel yemekler yapmayı çok severim ailem için akıllıca tercihler yapar ev ekonomisine de katkı sağlarım