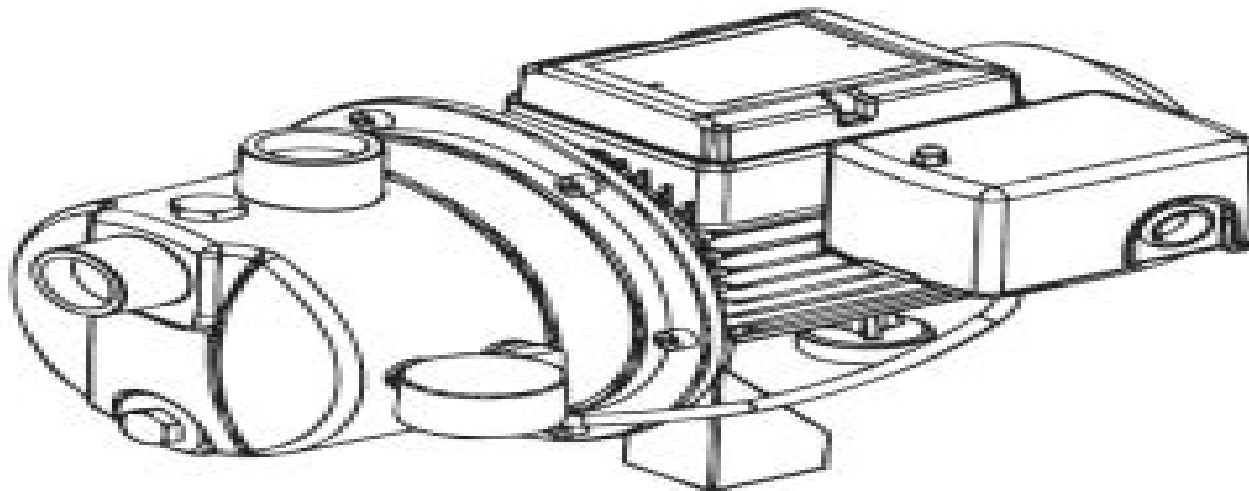


model no. 062-3423-B



Stainless Steel
SHALLOW WELL JET PUMP



IMPORTANT:

Please read this manual carefully before running this pump and save it for reference.

**INSTRUCTION
MANUAL**

Mastercraft Jet Pump Manual

J Dewey



Mastercraft Jet Pump Manual:

Ski ,1987-06 *Popular Mechanics* ,1971-07 Popular Mechanics inspires instructs and influences readers to help them master the modern world Whether it s practical DIY home improvement tips gadgets and digital technology information on the newest cars or the latest breakthroughs in science PM is the ultimate guide to our high tech lifestyle **Accepted Meat and Poultry Equipment** ,1978 *Factory* ,1964 **Popular Mechanics** ,1971 *Factory The Magazine of Manufacturing*.April,1964 Factory The Magazine of Manufacturing.April,1964,1964 Drug and Cosmetic Catalog ,1996
Drug & Cosmetic Industry ,1996 With 1993 94 includes consulting and special services private formula contract packagers service manufacturing aerosols packages and packaging materials machinery and equipment raw material directory associations of the industry trade name directory and a suppliers address section *Pennsylvania Farmer* ,1953
MacRae's Blue Book ,1990 **Greater Allegheny Regional Industrial Purchasing Guide** ,1986 Popular Science ,1968 *MacRae's Industrial Directory* ,1997 **The Prairie Farmer** ,1958 **Thomas Register of American Manufacturers** ,2002 This basic source for identification of U S manufacturers is arranged by product in a large multi volume set Includes Products services Company profiles and Catalog file **Chemical Engineering Equipment Buyers' Guide** ,1990 *THOMAS REGISTER 2005* ,2005 *Progressive Architecture* ,1946 **Regional Industrial Buying Guide** ,2002 New Pencil Points Eugene Clute,Russell Fenimore Whitehead,Kenneth Reid,Elizabeth L. Cleaver,1946

Ignite the flame of optimism with Get Inspired by is motivational masterpiece, **Mastercraft Jet Pump Manual** . In a downloadable PDF format (PDF Size: *), this ebook is a beacon of encouragement. Download now and let the words propel you towards a brighter, more motivated tomorrow.

http://www.armchairempire.com/data/book-search/fetch.php/Ktm_300_Exc_Repair_Manual_2009.pdf

Table of Contents Mastercraft Jet Pump Manual

1. Understanding the eBook Mastercraft Jet Pump Manual
 - The Rise of Digital Reading Mastercraft Jet Pump Manual
 - Advantages of eBooks Over Traditional Books
2. Identifying Mastercraft Jet Pump Manual
 - Exploring Different Genres
 - Considering Fiction vs. Non-Fiction
 - Determining Your Reading Goals
3. Choosing the Right eBook Platform
 - Popular eBook Platforms
 - Features to Look for in an Mastercraft Jet Pump Manual
 - User-Friendly Interface
4. Exploring eBook Recommendations from Mastercraft Jet Pump Manual
 - Personalized Recommendations
 - Mastercraft Jet Pump Manual User Reviews and Ratings
 - Mastercraft Jet Pump Manual and Bestseller Lists
5. Accessing Mastercraft Jet Pump Manual Free and Paid eBooks
 - Mastercraft Jet Pump Manual Public Domain eBooks
 - Mastercraft Jet Pump Manual eBook Subscription Services
 - Mastercraft Jet Pump Manual Budget-Friendly Options
6. Navigating Mastercraft Jet Pump Manual eBook Formats

- ePub, PDF, MOBI, and More
- Mastercraft Jet Pump Manual Compatibility with Devices
- Mastercraft Jet Pump Manual Enhanced eBook Features
- 7. Enhancing Your Reading Experience
 - Adjustable Fonts and Text Sizes of Mastercraft Jet Pump Manual
 - Highlighting and Note-Taking Mastercraft Jet Pump Manual
 - Interactive Elements Mastercraft Jet Pump Manual
- 8. Staying Engaged with Mastercraft Jet Pump Manual
 - Joining Online Reading Communities
 - Participating in Virtual Book Clubs
 - Following Authors and Publishers Mastercraft Jet Pump Manual
- 9. Balancing eBooks and Physical Books Mastercraft Jet Pump Manual
 - Benefits of a Digital Library
 - Creating a Diverse Reading Collection Mastercraft Jet Pump Manual
- 10. Overcoming Reading Challenges
 - Dealing with Digital Eye Strain
 - Minimizing Distractions
 - Managing Screen Time
- 11. Cultivating a Reading Routine Mastercraft Jet Pump Manual
 - Setting Reading Goals Mastercraft Jet Pump Manual
 - Carving Out Dedicated Reading Time
- 12. Sourcing Reliable Information of Mastercraft Jet Pump Manual
 - Fact-Checking eBook Content of Mastercraft Jet Pump Manual
 - Distinguishing Credible Sources
- 13. Promoting Lifelong Learning
 - Utilizing eBooks for Skill Development
 - Exploring Educational eBooks
- 14. Embracing eBook Trends
 - Integration of Multimedia Elements
 - Interactive and Gamified eBooks

Mastercraft Jet Pump Manual Introduction

In today's digital age, the availability of Mastercraft Jet Pump Manual books and manuals for download has revolutionized the way we access information. Gone are the days of physically flipping through pages and carrying heavy textbooks or manuals. With just a few clicks, we can now access a wealth of knowledge from the comfort of our own homes or on the go. This article will explore the advantages of Mastercraft Jet Pump Manual books and manuals for download, along with some popular platforms that offer these resources. One of the significant advantages of Mastercraft Jet Pump Manual books and manuals for download is the cost-saving aspect. Traditional books and manuals can be costly, especially if you need to purchase several of them for educational or professional purposes. By accessing Mastercraft Jet Pump Manual versions, you eliminate the need to spend money on physical copies. This not only saves you money but also reduces the environmental impact associated with book production and transportation. Furthermore, Mastercraft Jet Pump Manual books and manuals for download are incredibly convenient. With just a computer or smartphone and an internet connection, you can access a vast library of resources on any subject imaginable. Whether you're a student looking for textbooks, a professional seeking industry-specific manuals, or someone interested in self-improvement, these digital resources provide an efficient and accessible means of acquiring knowledge. Moreover, PDF books and manuals offer a range of benefits compared to other digital formats. PDF files are designed to retain their formatting regardless of the device used to open them. This ensures that the content appears exactly as intended by the author, with no loss of formatting or missing graphics. Additionally, PDF files can be easily annotated, bookmarked, and searched for specific terms, making them highly practical for studying or referencing. When it comes to accessing Mastercraft Jet Pump Manual books and manuals, several platforms offer an extensive collection of resources. One such platform is Project Gutenberg, a nonprofit organization that provides over 60,000 free eBooks. These books are primarily in the public domain, meaning they can be freely distributed and downloaded. Project Gutenberg offers a wide range of classic literature, making it an excellent resource for literature enthusiasts. Another popular platform for Mastercraft Jet Pump Manual books and manuals is Open Library. Open Library is an initiative of the Internet Archive, a non-profit organization dedicated to digitizing cultural artifacts and making them accessible to the public. Open Library hosts millions of books, including both public domain works and contemporary titles. It also allows users to borrow digital copies of certain books for a limited period, similar to a library lending system. Additionally, many universities and educational institutions have their own digital libraries that provide free access to PDF books and manuals. These libraries often offer academic texts, research papers, and technical manuals, making them invaluable resources for students and researchers. Some notable examples include MIT OpenCourseWare, which offers free access to course materials from the Massachusetts Institute of Technology, and the Digital Public Library of America, which provides a vast collection of digitized books and historical documents. In conclusion, Mastercraft Jet Pump Manual books and manuals for download have

transformed the way we access information. They provide a cost-effective and convenient means of acquiring knowledge, offering the ability to access a vast library of resources at our fingertips. With platforms like Project Gutenberg, Open Library, and various digital libraries offered by educational institutions, we have access to an ever-expanding collection of books and manuals. Whether for educational, professional, or personal purposes, these digital resources serve as valuable tools for continuous learning and self-improvement. So why not take advantage of the vast world of Mastercraft Jet Pump Manual books and manuals for download and embark on your journey of knowledge?

FAQs About Mastercraft Jet Pump Manual Books

How do I know which eBook platform is the best for me? Finding the best eBook platform depends on your reading preferences and device compatibility. Research different platforms, read user reviews, and explore their features before making a choice. Are free eBooks of good quality? Yes, many reputable platforms offer high-quality free eBooks, including classics and public domain works. However, make sure to verify the source to ensure the eBook credibility. Can I read eBooks without an eReader? Absolutely! Most eBook platforms offer webbased readers or mobile apps that allow you to read eBooks on your computer, tablet, or smartphone. How do I avoid digital eye strain while reading eBooks? To prevent digital eye strain, take regular breaks, adjust the font size and background color, and ensure proper lighting while reading eBooks. What the advantage of interactive eBooks? Interactive eBooks incorporate multimedia elements, quizzes, and activities, enhancing the reader engagement and providing a more immersive learning experience. Mastercraft Jet Pump Manual is one of the best book in our library for free trial. We provide copy of Mastercraft Jet Pump Manual in digital format, so the resources that you find are reliable. There are also many Ebooks of related with Mastercraft Jet Pump Manual. Where to download Mastercraft Jet Pump Manual online for free? Are you looking for Mastercraft Jet Pump Manual PDF? This is definitely going to save you time and cash in something you should think about. If you trying to find then search around for online. Without a doubt there are numerous these available and many of them have the freedom. However without doubt you receive whatever you purchase. An alternate way to get ideas is always to check another Mastercraft Jet Pump Manual. This method for see exactly what may be included and adopt these ideas to your book. This site will almost certainly help you save time and effort, money and stress. If you are looking for free books then you really should consider finding to assist you try this. Several of Mastercraft Jet Pump Manual are for sale to free while some are payable. If you arent sure if the books you would like to download works with for usage along with your computer, it is possible to download free trials. The free guides make it easy for someone to free access online library for download books to your device. You can get free download on free trial for lots of books categories. Our library is the biggest of these that have literally hundreds of thousands of different

products categories represented. You will also see that there are specific sites catered to different product types or categories, brands or niches related with Mastercraft Jet Pump Manual. So depending on what exactly you are searching, you will be able to choose e books to suit your own need. Need to access completely for Campbell Biology Seventh Edition book? Access Ebook without any digging. And by having access to our ebook online or by storing it on your computer, you have convenient answers with Mastercraft Jet Pump Manual To get started finding Mastercraft Jet Pump Manual, you are right to find our website which has a comprehensive collection of books online. Our library is the biggest of these that have literally hundreds of thousands of different products represented. You will also see that there are specific sites catered to different categories or niches related with Mastercraft Jet Pump Manual So depending on what exactly you are searching, you will be able to choose ebook to suit your own need. Thank you for reading Mastercraft Jet Pump Manual. Maybe you have knowledge that, people have search numerous times for their favorite readings like this Mastercraft Jet Pump Manual, but end up in harmful downloads. Rather than reading a good book with a cup of coffee in the afternoon, instead they juggled with some harmful bugs inside their laptop. Mastercraft Jet Pump Manual is available in our book collection an online access to it is set as public so you can download it instantly. Our digital library spans in multiple locations, allowing you to get the most less latency time to download any of our books like this one. Merely said, Mastercraft Jet Pump Manual is universally compatible with any devices to read.

Find Mastercraft Jet Pump Manual :

ktm 300 exc repair manual 2009

kruiden in het bredase begijnhof

[krystal clear salt water pool manual](#)

kronos rising after 65 million years the worlds greatest predator is back volume 1

[konica dimage z6 manual](#)

ktm 300 exc workshop manual

[konzept backpacker tourismus erstellung businessplans german](#)

kontakt 2 power the comprehensive guide

~~*koning copethua en het bedelmeisje verhalen*~~

[konjunktoren offentlig rechtlichen grundlagenforschung recht wissenschaft](#)

[konica minolta dimage z6 camera manual](#)

[konica minolta c451 brochure](#)

~~*kramer friemann tek olaf gulbransson*~~

[konrad adenauer innenpolitik 1949 53 bedeutung](#)
[ktm 540 sxs manual](#)

Mastercraft Jet Pump Manual :

kindergarten i can statements pencils to pigtails - Apr 26 2023

web october 14 2022 kindergarten i can statements will help students stay focused and engaged today i m sharing what resource is used and loved by more teachers and students than anything i ve ever created gamechanger these student friendly i can statements are a total game changer

kindergarten reading foundational skills the curriculum corner - Jan 24 2023

web kindergarten reading foundational skills ccss i can statements ccss i can statements ccss ela literacy rf k 1 can show that i know how books should be read ccss ela literacy rf k 1 a can read the words in book in the right order ccss ela literacy rf k 1 b can understand that words i say can be written using letters in

schools - Jan 12 2022

web schools

i can statements pdf free your therapy source - Oct 21 2022

web aug 1 2022 1 write i can statements on the board or on a piece of paper for the entire class to see 2 give each student a copy of the i can statements for the day or week 3 post i can statements around the classroom as a reminder of expectations 4 use i can statements when introducing a new lesson or concept 5

i can statements kindergarten core standards little learning - May 28 2023

web i can statements for a kindergarten classroom this complete collection of kindergarten i can statements includes standard cards for language arts math science and social studies introduce the common core standards in kid friendly language with these bright and colorful cards

kindergarten i can statements for reading and writing - Jul 30 2023

web kindergarten i can statements for reading and writing reading for literature i can ask and answer questions about key details in a text i can retell what i read using key details i can tell you about characters settings and the main parts of the story i can ask and answer questions about words i don t know in the text

1 817 top i can statements teaching resources curated for you twinkl - Nov 21 2022

web kindergarten i can statements common core student checklist large posters 5 0 1 review explore more than 1 804 i can statements resources for teachers parents and pupils as well as related resources on i can statements early level help

i can statement standards for kindergarten the kinder corner - Aug 31 2023

web nov 5 2021 individual statements might be displayed to inform students the focus for the day these are just a few ideas to get you started we are sure there are additional ideas you will think of when using our kindergarten i can statements learn about our i can statements for kindergarten below common core checklists

[i can statements kindergarten hyperion academics](#) - May 16 2022

web i can statements kindergarten kindergarten math counting k cc a 1 i can count to 100 by ones and tens k cc a 2 i can count forward starting at any number i have learned k cc a 3 i can write numbers from 0 to 20 k cc a 3 i can write a number to tell about a group of 0 to 20 things

updated kindergarten checklists ccss and i cans - Feb 22 2023

web jan 25 2022 these i can kindergarten statements are the common core standards in kid friendly language here are the updated kindergarten ccss checklists some of you have been asking for our common core standards checklists are just what you need to help you keep track of the standards taught in your classroom

[i can statements kindergarten ela by create abilities tpt](#) - Jul 18 2022

web this set contains 495 pages of i can statements in kid friendly language there are i can s that cover all the standards in the kindergarten common core english language arts curriculum there are also 8 pages of standards checklists for each domain so you can ensure you have taught each one

i can statements for kindergarten teaching resources tpt - Sep 19 2022

web this bundle of kindergarten i can statements and checklists includes everything you need to be sure you re teaching all the math and language arts standards these adorable cards are color coded by standard and they are formatted to fit in pocket charts so they don t take up so much space

i can statements kindergarten core standards little learning - Mar 14 2022

web i sack statements kindergarten core standards as a teacher you know the importance for kids taking own for their knowledge when children take share of their learning they will more motivated engaged and have higher

i can statements pinterest - Jun 16 2022

web jul 18 2018 explore kim duplechain s board i can statements followed by 722 people on pinterest see more ideas about i can statements common core kindergarten common core

i can statements kindergarten core standards little learning - Aug 19 2022

web iodin can statements for a kindergarten classroom this complete collection a kindergarten i can statements includes standard cards for language arts math research and social studies introduce the common main standards the kid friendly language with these brighter and colorful cards shade coded via standard these i can

i can statements for kindergarten preschooltalk com - Apr 14 2022

web dec 15 2022 these i can kindergarten statements are the common core standards in kid friendly language here are the updated kindergarten ccss checklists some of you have been asking for our common core standards checklists are just what you need to help you keep track of the standards taught in your classroom

free i can statements worksheet teacher made twinkl - Mar 26 2023

web use this simple kindergarten i can statements worksheet to help children think about what they can do rather than focus on any difficulties and struggles in their lives the statements encourage them to think positively considering things they can do and achieve even in difficult times when circumstances are often beyond their control

kindergarten standards i can statements freebies - Jun 28 2023

web dec 27 2017 these i can statements are going to be a life saver for my classroom not only can i put them up so that administrators and others who visit my classroom can see what we are focusing on but they can also serve as a reminder to my kinder students what their goals should be across content areas

1 817 top i can statements teaching resources curated for you twinkl - Dec 23 2022

web explore more than 1 814 i can statements resources for teachers parents and pupils as well as related resources on i can help check out our interactive series of lesson plans worksheets powerpoints and assessment tools today all teacher made aligned with the australian curriculum

23 i can statements kindergarten ideas pinterest - Feb 10 2022

web 23 i can statements kindergarten ideas i can statements kindergarten beginning of school i can statements kindergarten 23 pins 8y d collection by deanna hynum similar ideas popular now kindergarten classroom kindergarten literacy classroom management classroom fun classroom organization classroom management

rumus bejana berhubungan idschool - Jul 14 2023

web sep 2 2017 rumus bejana berhubungan merupakan bentuk matematis dari asas yang berlaku pada bejana berhubungan salah satu sifat zat cair dalam keadaan diam adalah mempunyai permukaan yang datar seperti saat air yang terlihat di dalam gelas hal yang sama juga akan terjadi saat zat cair berada pada bejana berhubungan

rumus bejana berhubungan sinau github pages - Apr 30 2022

web sep 23 2021 rumus bejana berhubungan sep 23 2021 fisika kelas 8 tekanan hidrostatis rumus penjelasan konsep dan kaitannya dengan bejana berhubungan rumus gaya bejana berhubungan brainly co id bejana berhubungan sains itu menyenangkan pengertian rumus dan bunyi hukum bejana berhubungan

rumus bejana berhubungan beserta pengertian dan contoh soal - May 12 2023

web mar 16 2021 materi ini berkaitan dengan pengertian bejana berhubungan rumus bejana berhubungan dan contoh soal bejana berhubungan bejana berhubungan merupakan suatu wadah yang mempunyai dua atau lebih tabung dimana bervariasi

bentuknya

contoh soal bejana berhubungan dan pembahasan dalam fisika - Dec 27 2021

web jan 12 2023 bejana berhubungan adalah kumpulan dari beberapa bejana atau wadah yang saling terhubung di dalam bejana tersebut akan diisi cairan yang sama tinggi permukaan dari masing masing bejana pun akan sama

bejana berhubungan hukum rumus contoh soal dan - Jun 13 2023

web jul 18 2019 hukum bejana berhubungan berbunyi bila bejana bejana berhubungan diisi dengan zat cair yang sama dan berada dalam keadaan setimbang maka permukaan zat cair dalam bejanabejana terletak pada sebuah bidang datar

berdasarkan peristiwa di atas tampak bahwa tinggi permukaan zat cair tidak sejenis tidak sama

mudah mengerjakan soal bejana berhubungan fisika kelas xi - Jul 02 2022

web membahas rumus bejana berhubungan dan menerapkannya dalam pembahasan soal soal secara mudah

bejanaberhubungan pipau soalbejanaberhubungan soalpipau tekan

pengertian tekanan hidrostatis rumus konsep bejana - Feb 09 2023

web bejana berhubungan membahas masalah tekanan hidrostatis tak bisa dilepaskan dari konsep bejana berhubungan

bejana berhubungan adalah kumpulan bejana yang saling terhubung bagian bawahnya dengan bagian atasnya dibiarkan terbuka

hukum bejana berhubungan materipintar com - Sep 04 2022

web jul 20 2023 baca cepat show pengertian bejana berhubungan bejana berhubungan adalah sistem bejana atau wadah yang terhubung secara fisik sehingga fluida di dalamnya dapat mengalir bebas antara satu bejana ke bejana lainnya dalam sistem bejana berhubungan tekanan cenderung merata di setiap titik dalam fluida

rumus bejana berhubungan klantenhandboek dutchgiraffe com - Nov 06 2022

web rumus bejana berhubungan unveiling the magic of words a overview of rumus bejana berhubungan in a global defined by information and interconnectivity the enchanting power of words has acquired unparalleled significance their power to kindle emotions provoke contemplation and ignite transformative change is actually awe

contoh soal dan pembahasan bejana berhubungan tekanan youtube - Oct 05 2022

web contoh soal dan pembahasan bejana berhubungancontoh soal dan pembahasan tekanan hidrostatis

rumus hukum bejana berhubungan rahasia di balik perilaku - Jan 28 2022

web feb 28 2023 jawabannya dapat dihitung dengan menggunakan rumus hukum bejana berhubungan q1a1 q2a2

bejana berhubungan hukum rumus contoh soal fisika - Aug 15 2023

web rumus bejana berhubungan misalnya suatu bejana berhubungan diisi dua zat cair yang berbeda dan tidak dapat bercampur dengan berat jenis masing masing s1 dan s2 tarik garis pada batas permukaan kedua zat cair itu garis

[penjelasan bunyi hukum bejana berhubungan dalam fisika](#) - Mar 30 2022

web sep 1 2022 berikut adalah rumus hukum bejana berhubungan dengan cairan yang berbeda $p_1 p_2 p_1 \times g \times h_1 p_2 \times g \times h_2 p_1 \times h_1 p_2 \times h_2$ air dalam bejana berhubungan selalu membentuk permukaan datar hal tersebut sesuai dengan hukum bejana berhubungan yang sudah dijelaskan sebelumnya

[rumus hukum bejana berhubungan pak guru](#) - Jun 01 2022

web jul 29 2022 mengungkap rumus hukum bejana berhubungan teknik ilmiah untuk memahami interaksi dalam sistem bejana dan hubungan kompleksitas fluida dalam artikel ini anda akan mendapatkan pemahaman mendalam tentang prinsip prinsip dasar yang mengatur perilaku fluida di dalam bejana dengan penekanan pada peran hukum hukum

memahami tekanan hidrostatik dan bejana berhubungan ipa - Aug 03 2022

web nov 6 2020 konsep bejana berhubungan sudah diaplikasikan dalam proses pembangunan rumah atau gedung

bejana berhubungan pengertian fungsi dan rumus serta - Jan 08 2023

web rumus bejana berhubungan $1 p s h 2 p \rho g h 3 p_1 p_2 4 \rho_1 g h_1 \rho_2 g h_2$ keterangan p tekanan hidrostatik n m² atau dn cm² s berat jenis zat cair n m² atau dn cm² h jarak dari dasar menuju permukaan zat cair cm atau m ρ massa jenis zat cair kg m³ atau g cm³ g percepatan gravitasi bumi n kg

fisika kelas 8 tekanan hidrostatik rumus penjelasan - Dec 07 2022

web aug 12 2019 betul seperti halnya penyelam tadi tekanan hidrostatik yang paling besar terdapat di keran paling bawah keran c jelas aja perbandingan jaraknya aja 3 kali lipat dari keran a maka karena jenis airnya sama tekanan hidrostatiknya akan 3 kali lipat lebih besar dibanding yang keran a

pengertian rumus dan bunyi hukum bejana berhubungan - Apr 11 2023

web jan 3 2022 rumus hukum bejana berhubungan berdasarkan pengertian tekanan hidrostatik maka tekanan yang dilakukan zat cair yang sejenis pada kedalaman yang sama adalah sama besar dengan menerapkan pengertian tekanan hidrostatik dan membuat bidang batas antara zat cair yang berbeda jenis diperoleh $p_1 p_2$ atau $\rho_1 h_1 \rho_2 h_2$

rumus tekanan hidrostatik tekanan pada zat cair dan bejana berhubungan - Feb 26 2022

web 14 agustus 2023 oleh berpendidikan pada pembahasan kali ini akan menjelaskan tentang tekanan hidrostatik tekanan pada zat cair bejana berhubungan rumus tekanan hidrostatik tekanan hidrostatika tekanan dalam zat cair gaya hidrostatik tekanan fluida percobaan tekanan hidrostatik tergantung pada statika fluida bejana berhubungan

[bejana berhubungan massa jenis zat cair fisika sma](#) - Mar 10 2023

web rumus dan cara mudah mencari massa jenis pada zat cair jika diketahui tinggi zat nya pada bejana berhubungan fisika sma show more show more almost yours 2

worldteacherspress ancientgreeceanswers - Mar 16 2023

web the teachers notes to reading greek jumpstarters for world history grades 4 8 ancient greece interchange level 3 teacher s edition with assessment audio cd cd rom reading greek greek mythology tales of the gods gr 7 8 super minds level 3 teacher s book the handy history answer book ancient greek alive the well

world teachers press ancient greece answers 2022 wrbb neu - Jul 20 2023

web world teachers press ancient greece answers 1 world teachers press ancient greece answers yeah reviewing a books world teachers press ancient greece answers could build up your near associates listings this is just one of the solutions for you to be successful as understood ability does not suggest that you have fantastic points

the greek world answer key worksheets k12 workbook - Sep 22 2023

web the greek world answer key displaying all worksheets related to the greek world answer key worksheets are answer key to mounce basics of biblical greek mastering new testament greek workbook student world teachers press ancient greece answers dedicatedteacher greek latin roots ancient greece the ancient greeks new

the greek world answer key worksheets learny kids - Jun 19 2023

web displaying top 8 worksheets found for the greek world answer key some of the worksheets for this concept are answer key to mounce basics of biblical greek mastering new testament greek workbook student world teachers press ancient greece answers dedicatedteacher greek latin roots ancient greece the ancient greeks new

the greek world answer key worksheets teacher worksheets - May 18 2023

web showing top 8 worksheets in the category the greek world answer key some of the worksheets displayed are answer key to mounce basics of biblical greek mastering new testament greek workbook student world teachers press ancient greece answers dedicatedteacher greek latin roots ancient greece the ancient greeks new

[education in ancient greece wikipedia](#) - May 06 2022

web there were two forms of education in ancient greece formal and informal formal education was attained through attendance to a public school or was provided by a hired tutor informal education was provided by an unpaid teacher and occurred in a non public setting education was an essential component of a person s identity

worldteacherspressancientgreeceanswers - Aug 09 2022

web a weekly review of politics literature theology and art journal of education and school world sep 14 2020 an independent study guide to reading greek jun 16 2023 first published in 1978 and now thoroughly revised reading greek is a best selling one year introductory course in ancient greek for students of any age it combines the best

[world teachers press ancient civilizations answers pdf](#) - Sep 10 2022

web world teachers press ancient civilizations answers educational philosophy jun 19 2021 first published in 1996 routledge is an imprint of taylor francis an informa company christian teachers in second century rome sep 22 2021 christian teachers

in second century rome situates second century christian teachers such as marcion

[what were the teachers like in ancient greece answers](#) - Apr 05 2022

web aug 18 2023 10y ago copy teachers in ancient rome were very strict and corporal punishment was common there were not any state schools ancient rome did not have a formal system of education

[ancient greece history workbook student handouts](#) - Oct 23 2023

web the answer key is below answer key regions around the danube river and black sea heinrich schliemann mountainous peninsula belief in a common ancestor greek language literature religion and the olympic games egyptian hieroglyphics egyptian hieratic or cursive or coptic phoenician greek latin roman

[teachers in ancient greece history link 101](#) - Jan 02 2022

web teachers in ancient greece only educated boys girls were educated at home by their mothers boys from well to do families were sent to school around the age of seven in sparta boys at the age of seven were sent to a city run military school and stayed in the barracks in other city states each boy was accompanied by a slave called a paidagogos

[world teachers press ancient rome answers api 2 crabplace](#) - Dec 01 2021

web transition in the second volume to the world of men and women of ancient rome the world in ancient times oxford university press in his previously written articles and books chris edwards has argued that teaching should be considered a field that is separate from both the field of education and from the content area fields

[ancient greece educational materials student handouts](#) - Apr 17 2023

web this unit contains our free teaching materials on ancient greece topics covered include the ancient minoans of crete the trojan war the peninsular greeks that is classical or hellenic greece sparta athens etc the peloponnesian war the conquests of alexander the great and the hellenistic period which followed alexander s acquisitions in the near

[ancient greek crossword teaching and learning resources](#) - Aug 21 2023

web ancient greek crossword get the latest java plug in here click here for a non interactive printable version of the crossword this will open in a new window if you are a regular visitor to my site and find the free resources useful please consider making a donation all proceeds go towards hosting fees and keeping this not for profit

[pdf world teachers press ancient civilizations answers](#) - Jan 14 2023

web from ancient greece to tony blair s britain leading historical thinkers address 20 of the really big questions that have been asked over the centuries about the course of human events

[get free world teachers press ancient greece answers pdf for](#) - Feb 15 2023

web jul 31 2023 get free world teachers press ancient greece answers pdf for free discovering ancient greece may 05 2021

it would be difficult to decide if the ancient greeks are best known for their literature or mythology for their philosophy or

their government on all fronts ancient greece paved the way for civilizations to come making

world teachers press ancient greece answers pdf pdf full pdf - Jun 07 2022

web world teachers press ancient greece answers pdf pdf world teachers press ancient greece answers pdf pdf here i list a few of top notch world teachers press ancient greece answers pdf pdf pics on internet

world teachers press ancient civilizations answers - Jul 08 2022

web life in the ancient world from the earliest civilizations to the medieval period readers will learn about art architecture culture religion the remarkable individuals who shaped world history also available in the questions answers series are world history animal world planet earth science spacewho invented writing paper and

world teachers press ancient greece answers pdf kelliemay - Oct 11 2022

web jan 8 2023 world teachers press ancient greece answers 1 8 downloaded from kelliemay com on january 8 2023 by guest world teachers press ancient greece answers this is likewise one of the factors by obtaining the soft documents of this world teachers press ancient greece answers by online

world teachers press ancient greece answers pdf pdf rce lms - Nov 12 2022

web may 8 2023 world teachers press ancient greece answers pdf pdf join that we give here and check out the link you could buy guide world teachers press ancient greece answers pdf pdf or get it as soon as feasible you could speedily download this world teachers press ancient greece answers pdf pdf after getting deal

world teachers press ancient rome answers - Mar 04 2022

web a companion to ancient greece and rome on screen ancient rome the teacher in ancient rome the book of the ancient romans scholar s choice edition schools and students in the ancient city a history of the roman world from 30 b c to a d 138 philosophers jews and christians connecting the dots in world history a teacher s

world teachers press ancient rome answers pdf live hpcareer - Feb 03 2022

web the book of the ancient romans scholar s choice edition world teachers press ancient rome answers downloaded from live hpcareer net by guest tyrese sherman clemency cruelty in the roman world dictionary of world biography hostage taking in ancient rome was a standard practice of international diplomacy the oxford handbook

how to teach ancient greece teacher network the guardian - Dec 13 2022

web tue 24 sep 2013 02 30 edt fans of the classical world are delighted to discover ancient greece s firm foothold in the key stage 2 primary curriculum which begins next september the guardian