

FRONT BRAKE CALIPER

2.13

REMOVAL

NOTES

- If only replacing brake pads, see [1.18 BRAKE PADS AND DISCS](#).
 - Wrap banjo fitting with a shop towel to absorb any loss of brake fluid.
1. Remove banjo bleeder bolt. Discard sealing washers.
 2. See [Figure 2-47](#). Remove two caliper mounting screws (2) and remove caliper from brake disc.

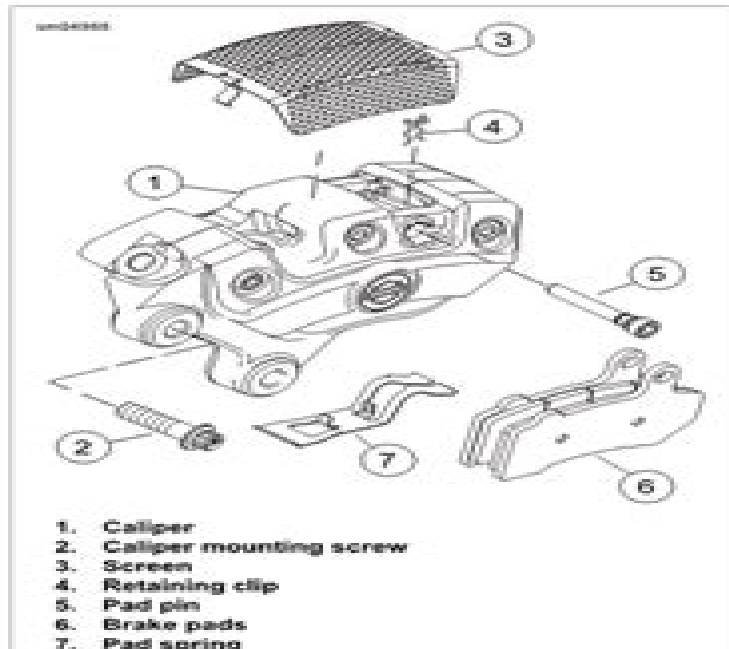


Figure 2-47. Front Brake Caliper Assembly

INSTALLATION

FASTENER	TORQUE VALUE	
Brake caliper, front, mounting screws	28-38 ft-lbs	37.9-51.5 Nm
Banjo bleeder bolt to front caliper	17-19 ft-lbs	23.1-25.8 Nm

1. If necessary, assemble caliper installing pad spring, brake pads, pad pin, retaining clip and screen. See [1.18 BRAKE PADS AND DISCS](#).

2. Install caliper, and cable clip/bracket on left side if ABS equipped, with two screws. Tighten to 28-38 ft-lbs (37.9-51.5 Nm).
3. **ABS equipped:**
 - a. Verify WSS cable is secure in clip.
 - b. See [Figure 2-48](#). Install new cable straps (1, 2) to secure WSS and fender tip lamp cables.
4. Secure brake line to caliper with banjo bleeder bolt and new sealing washers. Tighten to 17-19 ft-lbs (23.1-25.8 Nm).

NOTE

When servicing a bleeder valve or banjo bleeder bolt, check for the presence of an O-ring used during manufacturing. Remove the O-ring from the bleeder valve groove or bore and discard. If the O-ring is not removed, it may become lodged in the bleeder bore during valve installation. This will prevent proper forcing or sealing.

5. Fill and bleed brake system. See [2.18 BLEEDING BRAKES](#).

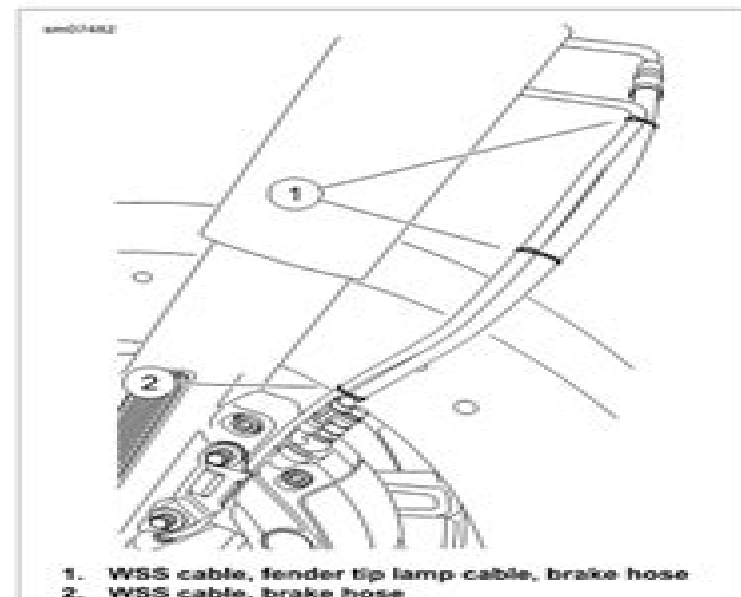


Figure 2-48. Secure Cables and Brake Hose

Harley Davidson 2015 Road King Service Manual

John H. Haynes



Harley Davidson 2015 Road King Service Manual:

[The Buzzzzz Rag](#) Buzz Walneck, Ed Walneck, Jerry Barnett, 2015-03-02 Event List 2015 Christmas Issue The Shop Rag Buzz Walneck Letter From The Flying E Ed Walneck Would You Believe 1960 s Buzz Walneck Featured Article 1973 Kawasaki KZ900 Featured Article 1966 Harley Davidson XLH Whizzer Jerry Barnett [Lemon-Aid New and Used Cars and Trucks 1990-2015](#) Phil Edmonston, 2013-11-18 Lemon Aid New and Used Cars and Trucks 1990 2015 steers the confused and anxious buyer through the purchase of new and used vehicles unlike any other car and truck book on the market Dr Phil Canada s best known automotive expert for more than 42 years pulls no punches **Clymer Harley-Davidson H-D Panheads 1948-1965** Penton Staff, 1992-06-01 Harley Davidson Panheads are very popular machines built with precision engineering to ensure a long life on the road With the help of the Clymer Harley Davidson H D Panheads 1948 1965 Repair Manual in your toolbox you will be able to maintain service and repair your vintage motorcycle to extend its life for years to come Clymer manuals are very well known for their thorough and comprehensive nature This manual is loaded with step by step procedures along with detailed photography exploded views charts and diagrams to enhance the steps associated with a service or repair task This Clymer manual is organized by subsystem with procedures grouped together for specific topics such as front suspension brake system engine and transmission It includes color wiring diagrams The language used in this Clymer repair manual is targeted toward the novice mechanic but is also very valuable for the experienced mechanic The service manual by Clymer is an authoritative piece of DIY literature and should provide you the confidence you need to get the job done and save money too **2017 Harley Davidson ROAD KING Owner Manual Compatible with OEM Owner's Manual, Factory Glovebox Book** Helming, 2017-05-27 **Harley-Davidson Service Manual** Harley-Davidson Motor Company, 1976* [Harley-Davidson Twin Cam 88 Service and Repair Manual](#) Alan Ahlstrand, 2003 Every Haynes motorcycle manual is based on a complete teardown and rebuild and contains hundreds of photos with step by step instructions comprehensive routine maintenance and troubleshooting information and detailed wiring diagrams In addition to the standard repair manuals many of the titles are now in the Superbike format Superbike manuals offer numerous extra features including color sections for wiring diagrams performance data model history tools and workshop tips

Harley-Davidson XL Sportster 2014-2017 Clymer Publications, 2018-05-01 Each Clymer manual provides specific and detailed instructions for performing everything from basic maintenance and troubleshooting to a complete overhaul of the machine This manual covers the Harley Davidson XL Sportster built from 2014 to 2017 Do it yourselfers will find this service and repair manual more comprehensive than the factory manual making it an indispensable part of their tool box Specific models covered include XL883L SuperLow 2014 2017 XL883N Iron 883 2014 2017 XL883R Roadster 2014 2015 XL1200C 1200 Custom 2014 2017 XL1200CA Custom Limited A 2014 2016 XL1200CB 1200 Custom Limited B 2014 2017 XL1200CP 1200 Custom factory custom 2014 2016 XL1200CX Roadster 2016 2017 XL1200T SuperLow 2014 2017 XL1200V Seventy

Two 2014 2016 and XL1200X Forty Eight 2014 2017 **Harley-Davidson Big Twins Owners Workshop Manual** Curt Choate, Tom Schauwecker, John Harold Haynes, 1999 Harley Davidson Big Twins 1970 99 Shop Manual Haynes Sftbd 8 1 4x 1 3 4 224 pgs 536 b w ill *Harley-Davidson Sportster '70 to '13* John Haynes, 2016-05-01 Complete coverage for your Harley Davidson Sportster for 1970 to 2013 covering Routine Maintenance and servicing Tune up procedures Engine clutch and transmission repair Cooling system Fuel and exhaust Ignition and electrical systems Brakes wheels and tires Steering suspension and final drive Frame and bodywork Wiring diagrams Reference Section With a Haynes manual you can do it yourself from simple maintenance to basic repairs Haynes writes every book based on a complete teardown of the motorcycle We learn the best ways to do a job and that makes it quicker easier and cheaper for you Our books have clear instructions and hundreds of photographs that show each step Whether you re a beginner or a pro you can save big with Haynes Step by step procedures Easy to follow photos Complete troubleshooting section Valuable short cuts Model history and pre ride checks in color Color spark plug diagnosis and wiring diagrams Tools and workshop tips section in color

Harley-Davidson FLH/FLT Touring Series 2006-2009 Clymer Publications, 2000-05-24 Complete coverage for your Harley Davidson Shovelhead and Evolution Big Twins for 1970 thru 1999 covering FL FX FLT FLH FXR Dyna and Softail with 1200 and 1340cc engines Routine Maintenance and servicing Tune up procedures Engine clutch and transmission repair Cooling system Fuel and exhaust Ignition and electrical systems Brakes wheels and tires Steering suspension and final drive Frame and bodywork Wiring diagrams Reference Section With a Clymer manual you can do it yourself from simple maintenance to basic repairs Clymer writes every book based on a complete teardown of the motorcycle We learn the best ways to do a job and that makes it quicker easier and cheaper for you Our books have clear instructions and hundreds of photographs that show each step Whether you re a beginner or a pro you can save big with Clymer Step by step procedures Easy to follow photos Complete troubleshooting section Valuable short cuts Model history and pre ride checks in color Color spark plug diagnosis and wiring diagrams Tools and workshop tips section in color Models covered include FLHT Electra Glide Standard 2006 2009 FLHTI Electra Glide Standard 2006 FLHTC Electra Glide Classic 2007 2009 FLHTCI Electra Glide Standard 2006 FLHTCU Ultra Classic Electra Glide 2007 2009 FLHTCUI Ultra Classic Electra Glide 2006 FLHTCU

Service Manual Harley-Davidson Motor Company, 1947 **Master Service Manual** Harley-Davidson Motor Company, 1986 **Harley-Davidson Glides Owners Workshop Manual** Curt Choate, Tom Schauwecker, John Harold Haynes, 1991 *Harley-Davidson Sportster Service and Repair Manual* John H. Haynes, 2008 Haynes Repair Manual for the Harley Davidson 1970 thru 2008 Sportster has clear instructions and hundreds of color photographs to help you perform anything from simple maintenance to basic repairs Whether you re a beginner or a pro you can save big with Haynes Complete coverage for your Harley Davidson 1970 thru 2008 Sportster Routine Maintenance and servicing Tune up procedures Engine clutch and transmission repair Cooling system Fuel and exhaust Ignition and electrical systems Brakes

wheels and tires Steering suspension and final drive Frame and bodywork Wiring diagrams Reference Section

Harley-Davidson FLH/FLT Touring Series 2010-2013 Editors of Clymer Manuals,2016-03-01 FLHTC Electra Glide Classic 2010 2013 FLHTCU Ultra Classic Electra Glide 2010 2013 FLHTK Electra Glide Ultra Limited 2010 2013 FLHR Road King 2010 2013 FLHRC Road King Classic 2010 2013 FLTRX Road Glide Custom 2010 2013 FLTRU Road Glide Ultra 2011 2013 FLHX Street Glide 2010 2013 FLHTCUSE5 CVO Ultra Classic Electra Glide 2010 FLHTCUSE6 CVO Ultra Classic Electra Glide 2011 FLHTCUSE7 CVO Ultra Classic Electra Glide 2012 FLHTCUSE8 CVO Ultra Classic Electra Glide 2013 FLHXSE CVO Street Glide 2010 FLHXSE2 CVO Street Glide 2011 FLHXSE3 CVO Street Glide 2012 FLTRUSE CVO Road Glide Ultra 2011 2013 FLTRXSE CVO Road Glide Custom 2012 FLTRXSE2 CVO Road Glide Custom 2013 FLHRSE5 CVO Road King Custom 2013 TROUBLESHOOTING LUBRICATION MAINTENANCE AND TUNE UP ENGINE TOP END ENGINE LOWER END CLUTCH AND EXTERNAL SHIFT MECHANISM TRANSMISSION AND INTERNAL SHIFT MECHANISM FUEL EMISSION CONTROL AND EXHAUST SYSTEMS ELECTRICAL SYSTEM COOLING SYSTEM WHEELS TIRES AND DRIVE CHAIN FRONT SUSPENSION AND STEERING REAR SUSPENSION BRAKES BODY AND FRAME COLOR WIRING DIAGRAMS 2025 Harley Davidson ROAD KING SPECIAL Owner Manual Compatible with OEM Owners Manual, Factory Glovebox Book Helming,2025-08-10 2018 Harley Davidson ROAD KING OEM Owner Manual Compatible with OEM Owner's Manual, Factory Glovebox Book Helming,2018-05-22 Military Service Manual Harley-Davidson Motor Company,1918 Harley-Davidson Service Manual Harley-Davidson Motor Company,1968* **Harley-Davidson Twin Cam 88 and 96 Service and Repair Manual** Max Haynes,Alan Ahlstrand,2009 Haynes manuals are written specifically for the do it yourselfer yet are complete enough to be used by professional mechanics Since 1960 Haynes has produced manuals written from hands on experience based on a vehicle teardown with hundreds of photos and illustrations making Haynes the world leader in automotive repair information

This is likewise one of the factors by obtaining the soft documents of this **Harley Davidson 2015 Road King Service Manual** by online. You might not require more times to spend to go to the book foundation as skillfully as search for them. In some cases, you likewise get not discover the proclamation Harley Davidson 2015 Road King Service Manual that you are looking for. It will unquestionably squander the time.

However below, past you visit this web page, it will be therefore enormously simple to acquire as skillfully as download lead Harley Davidson 2015 Road King Service Manual

It will not take many get older as we tell before. You can pull off it even if perform something else at house and even in your workplace. in view of that easy! So, are you question? Just exercise just what we pay for below as skillfully as review **Harley Davidson 2015 Road King Service Manual** what you bearing in mind to read!

http://www.armchairempire.com/public/virtual-library/Documents/Honda_Crv_2014_Manuals.pdf

Table of Contents Harley Davidson 2015 Road King Service Manual

1. Understanding the eBook Harley Davidson 2015 Road King Service Manual
 - The Rise of Digital Reading Harley Davidson 2015 Road King Service Manual
 - Advantages of eBooks Over Traditional Books
2. Identifying Harley Davidson 2015 Road King Service Manual
 - Exploring Different Genres
 - Considering Fiction vs. Non-Fiction
 - Determining Your Reading Goals
3. Choosing the Right eBook Platform
 - Popular eBook Platforms
 - Features to Look for in an Harley Davidson 2015 Road King Service Manual
 - User-Friendly Interface
4. Exploring eBook Recommendations from Harley Davidson 2015 Road King Service Manual

- Personalized Recommendations
 - Harley Davidson 2015 Road King Service Manual User Reviews and Ratings
 - Harley Davidson 2015 Road King Service Manual and Bestseller Lists
5. Accessing Harley Davidson 2015 Road King Service Manual Free and Paid eBooks
- Harley Davidson 2015 Road King Service Manual Public Domain eBooks
 - Harley Davidson 2015 Road King Service Manual eBook Subscription Services
 - Harley Davidson 2015 Road King Service Manual Budget-Friendly Options
6. Navigating Harley Davidson 2015 Road King Service Manual eBook Formats
- ePub, PDF, MOBI, and More
 - Harley Davidson 2015 Road King Service Manual Compatibility with Devices
 - Harley Davidson 2015 Road King Service Manual Enhanced eBook Features
7. Enhancing Your Reading Experience
- Adjustable Fonts and Text Sizes of Harley Davidson 2015 Road King Service Manual
 - Highlighting and Note-Taking Harley Davidson 2015 Road King Service Manual
 - Interactive Elements Harley Davidson 2015 Road King Service Manual
8. Staying Engaged with Harley Davidson 2015 Road King Service Manual
- Joining Online Reading Communities
 - Participating in Virtual Book Clubs
 - Following Authors and Publishers Harley Davidson 2015 Road King Service Manual
9. Balancing eBooks and Physical Books Harley Davidson 2015 Road King Service Manual
- Benefits of a Digital Library
 - Creating a Diverse Reading Collection Harley Davidson 2015 Road King Service Manual
10. Overcoming Reading Challenges
- Dealing with Digital Eye Strain
 - Minimizing Distractions
 - Managing Screen Time
11. Cultivating a Reading Routine Harley Davidson 2015 Road King Service Manual
- Setting Reading Goals Harley Davidson 2015 Road King Service Manual
 - Carving Out Dedicated Reading Time
12. Sourcing Reliable Information of Harley Davidson 2015 Road King Service Manual

- Fact-Checking eBook Content of Harley Davidson 2015 Road King Service Manual
 - Distinguishing Credible Sources
13. Promoting Lifelong Learning
- Utilizing eBooks for Skill Development
 - Exploring Educational eBooks
14. Embracing eBook Trends
- Integration of Multimedia Elements
 - Interactive and Gamified eBooks

Harley Davidson 2015 Road King Service Manual Introduction

In today's digital age, the availability of Harley Davidson 2015 Road King Service Manual books and manuals for download has revolutionized the way we access information. Gone are the days of physically flipping through pages and carrying heavy textbooks or manuals. With just a few clicks, we can now access a wealth of knowledge from the comfort of our own homes or on the go. This article will explore the advantages of Harley Davidson 2015 Road King Service Manual books and manuals for download, along with some popular platforms that offer these resources. One of the significant advantages of Harley Davidson 2015 Road King Service Manual books and manuals for download is the cost-saving aspect. Traditional books and manuals can be costly, especially if you need to purchase several of them for educational or professional purposes. By accessing Harley Davidson 2015 Road King Service Manual versions, you eliminate the need to spend money on physical copies. This not only saves you money but also reduces the environmental impact associated with book production and transportation. Furthermore, Harley Davidson 2015 Road King Service Manual books and manuals for download are incredibly convenient. With just a computer or smartphone and an internet connection, you can access a vast library of resources on any subject imaginable. Whether you're a student looking for textbooks, a professional seeking industry-specific manuals, or someone interested in self-improvement, these digital resources provide an efficient and accessible means of acquiring knowledge. Moreover, PDF books and manuals offer a range of benefits compared to other digital formats. PDF files are designed to retain their formatting regardless of the device used to open them. This ensures that the content appears exactly as intended by the author, with no loss of formatting or missing graphics. Additionally, PDF files can be easily annotated, bookmarked, and searched for specific terms, making them highly practical for studying or referencing. When it comes to accessing Harley Davidson 2015 Road King Service Manual books and manuals, several platforms offer an extensive collection of resources. One such platform is Project Gutenberg, a nonprofit organization that provides over 60,000 free eBooks. These books are primarily in the public domain, meaning they can be freely distributed and downloaded. Project

Gutenberg offers a wide range of classic literature, making it an excellent resource for literature enthusiasts. Another popular platform for Harley Davidson 2015 Road King Service Manual books and manuals is Open Library. Open Library is an initiative of the Internet Archive, a non-profit organization dedicated to digitizing cultural artifacts and making them accessible to the public. Open Library hosts millions of books, including both public domain works and contemporary titles. It also allows users to borrow digital copies of certain books for a limited period, similar to a library lending system. Additionally, many universities and educational institutions have their own digital libraries that provide free access to PDF books and manuals. These libraries often offer academic texts, research papers, and technical manuals, making them invaluable resources for students and researchers. Some notable examples include MIT OpenCourseWare, which offers free access to course materials from the Massachusetts Institute of Technology, and the Digital Public Library of America, which provides a vast collection of digitized books and historical documents. In conclusion, Harley Davidson 2015 Road King Service Manual books and manuals for download have transformed the way we access information. They provide a cost-effective and convenient means of acquiring knowledge, offering the ability to access a vast library of resources at our fingertips. With platforms like Project Gutenberg, Open Library, and various digital libraries offered by educational institutions, we have access to an ever-expanding collection of books and manuals. Whether for educational, professional, or personal purposes, these digital resources serve as valuable tools for continuous learning and self-improvement. So why not take advantage of the vast world of Harley Davidson 2015 Road King Service Manual books and manuals for download and embark on your journey of knowledge?

FAQs About Harley Davidson 2015 Road King Service Manual Books

1. Where can I buy Harley Davidson 2015 Road King Service Manual books? Bookstores: Physical bookstores like Barnes & Noble, Waterstones, and independent local stores. Online Retailers: Amazon, Book Depository, and various online bookstores offer a wide range of books in physical and digital formats.
2. What are the different book formats available? Hardcover: Sturdy and durable, usually more expensive. Paperback: Cheaper, lighter, and more portable than hardcovers. E-books: Digital books available for e-readers like Kindle or software like Apple Books, Kindle, and Google Play Books.
3. How do I choose a Harley Davidson 2015 Road King Service Manual book to read? Genres: Consider the genre you enjoy (fiction, non-fiction, mystery, sci-fi, etc.). Recommendations: Ask friends, join book clubs, or explore online reviews and recommendations. Author: If you like a particular author, you might enjoy more of their work.

4. How do I take care of Harley Davidson 2015 Road King Service Manual books? Storage: Keep them away from direct sunlight and in a dry environment. Handling: Avoid folding pages, use bookmarks, and handle them with clean hands. Cleaning: Gently dust the covers and pages occasionally.
5. Can I borrow books without buying them? Public Libraries: Local libraries offer a wide range of books for borrowing. Book Swaps: Community book exchanges or online platforms where people exchange books.
6. How can I track my reading progress or manage my book collection? Book Tracking Apps: Goodreads, LibraryThing, and Book Catalogue are popular apps for tracking your reading progress and managing book collections. Spreadsheets: You can create your own spreadsheet to track books read, ratings, and other details.
7. What are Harley Davidson 2015 Road King Service Manual audiobooks, and where can I find them? Audiobooks: Audio recordings of books, perfect for listening while commuting or multitasking. Platforms: Audible, LibriVox, and Google Play Books offer a wide selection of audiobooks.
8. How do I support authors or the book industry? Buy Books: Purchase books from authors or independent bookstores. Reviews: Leave reviews on platforms like Goodreads or Amazon. Promotion: Share your favorite books on social media or recommend them to friends.
9. Are there book clubs or reading communities I can join? Local Clubs: Check for local book clubs in libraries or community centers. Online Communities: Platforms like Goodreads have virtual book clubs and discussion groups.
10. Can I read Harley Davidson 2015 Road King Service Manual books for free? Public Domain Books: Many classic books are available for free as they're in the public domain. Free E-books: Some websites offer free e-books legally, like Project Gutenberg or Open Library.

Find Harley Davidson 2015 Road King Service Manual :

~~[honda crv 2014 manuals](#)~~

~~[honda elite lx 50 cc service manual](#)~~

~~[honda flat rate manual](#)~~

~~[honda harmony ii parts manual](#)~~

~~[honda euro manual for sale](#)~~

[honda crv 1997 transmission manual](#)

[honda cr125r 1986 1991 factory repair workshop manual](#)

[honda civic service manual](#)

~~honda crf 250 repair manual~~

~~honda helix manual~~

~~honda crf70 owners manual~~

~~honda hr214 service manual~~

~~honda crf150f service repair manual 2003-2012~~

~~honda cr 125 repair manual~~

honda eb 3500 repair manual

Harley Davidson 2015 Road King Service Manual :

Color Revival 3rd Edition: Understanding ... Color Analysis is the art and science of looking at one's hair, eyes and skin to determine their natural coloring, or 'season'. Color Revival 3rd Edition: Understanding Advanced ... Updated edition of "Color Revival: Understanding the advanced 12 & 16 season color analysis theory". Color Analysis is the art and science of looking at ... Color Revival 3rd Edition: Understanding Advanced ... Color Revival 3rd Edition: Understanding Advanced Seasonal Color Analysis Theory by Lora Alexander (2014-03-22) on Amazon.com. *FREE* shipping on qualifying ... Color Revival 3rd Edition: Understanding Advanced ... Updated edition of "Color Revival: Understanding the advanced 12 & 16 season color analysis theory." Color Analysis is the art and science of looking at ... Color Revival 3rd Edition: Understanding Advanced ... Home EB-Books Color Revival 3rd Edition: Understanding Advanced Seasonal Color Analysis Theory ; Stock Photo · Cover May Be Different ; ISBN 10: 1478300604 ; ISBN 13 ... Understanding Advanced Color Analysis 4th Ed. ... "Color Revival" is all about Color Analysis. From the simplest concepts to the most complex, you will learn how to use color to look your absolute best. Book: Color Revival by Lora Alexander Sep 8, 2015 — Today, it arrived! The last of the color analysis books I have recently bought. "Color Revival" -- "Understanding advanced color analysis". Understanding the 12 Season Color Analysis System ... Dec 10, 2009 — Easy to understand charts and photos help explain it in its simplest terms. Included are full palettes for each of the 12 seasons, as well as ... Colour Third Edition Colour Third Edition. A workshop for artists, designers ... colour theory and practice to inspire confidence and understanding in anyone working with colour. Mastering Ninject for Dependency Injection - Amazon Mastering Ninject for Dependency Injection - Amazon Mastering Ninject for Dependency Injection Mastering Ninject for Dependency Injection starts by introducing you to dependency injection and what it's meant for with the help of sufficient examples. Mastering Ninject for Dependency Injection [Book] For .NET developers and architects, this is the ultimate guide to the principles of Dependency Injection and how to use the automating features of Ninject ... Mastering Ninject for Dependency Injection Sep 25, 2013 — Mastering Ninject for Dependency Injection teaches you the most powerful concepts of Ninject in a simple and easy-to-understand format using ... Mastering Ninject for Dependency

Injection - Libby Mastering Ninject for Dependency Injection teaches you the most powerful concepts of Ninject in a simple and easy-to-understand format using lots of ... Mastering Ninject for Dependency Injection (Paperback) Mastering Ninject for Dependency Injection teaches you the most powerful concepts of Ninject in a simple and easy-to-understand format using lots of practical ... Mastering Ninject for Dependency Injection: | Guide books Sep 25, 2013 — Learn how Ninject facilitates the implementation of dependency injection to solve common design problems of real-life applications Overview ... Mastering Ninject for Dependency Injection Mastering Ninject for Dependency Injection starts by introducing you to dependency injection and what its meant for with the help of sufficient examples. Mastering Ninject for Dependency Injection Dependency injection is an approach to creating loosely coupled applications. Maintainability, testability, and extensibility are just a few advantages. Mastering Ninject for Dependency Injection Mastering Ninject for Dependency Injection starts by introducing you to dependency injection and what it's meant for with the help of sufficient examples. Solutions to Further Problems Risk Management and ... Solutions to Further Problems Risk Management and Financial Institutions Fourth Edition John C. Hull 1 Preface This manual contains answers to all the ... Options, Futures, and Other Derivatives: Course Design Options, Futures, and Other Derivatives, 11th Edition. These *.zip files contain answers to all end of chapter questions in the 11th edition plus some Excel ... Students Solutions Manual & Study Guid: Hull, John A reader-friendly book with an abundance of numerical and real-life examples. Based on Hull's Options, Futures and Other Derivatives, Fundamentals of Futures ... John c hull options futures and other derivatives solutions ... John c hull options futures and other derivatives solutions manual. Options ... Answers to end-of-chapter questions in the North American edition. Answers ... Students Solutions Manual for Options,... by Hull, John Read more. From the Author. Contains solutions to end-of-chapter questions and problems in Options, Futures, and Other Derivatives, Sixth Edition by John Hull. Book solution options futures and other derivatives john c ... Book solution options futures and other derivatives john c hull chapters 1279111425. Course: Derivative Securities (FINA 3203). OPTIONS, FUTURES, AND OTHER DERIVATIVES ... Further Questions. 9.23. The price of a stock is \$40. The price of a 1-year European put option on the stock with a strike price of \$30 is quoted as \$7 and ... Student Solutions Manual for Fundamentals of Futures and ... Student Solutions Manual for Fundamentals of Futures and Options Markets ; Reihe: Pearson ; Autor: Prof. Dr. John C. Hull / Author Supplement ; Verlag: Pearson ... Options, futures, and other derivatives, ninth edition, global ... A student solutions manual for: Options, futures, and other derivatives, ninth edition, global edition by John C. Hull (ISBN 9780133457414), 2015. A student ... Other Derivatives by Hull, J. C - 2011 Solutions to the Questions and Problems in Options, Futures, and Other Derivatives 8e, published by Pearson, are provided in this Student Solutions Manual.