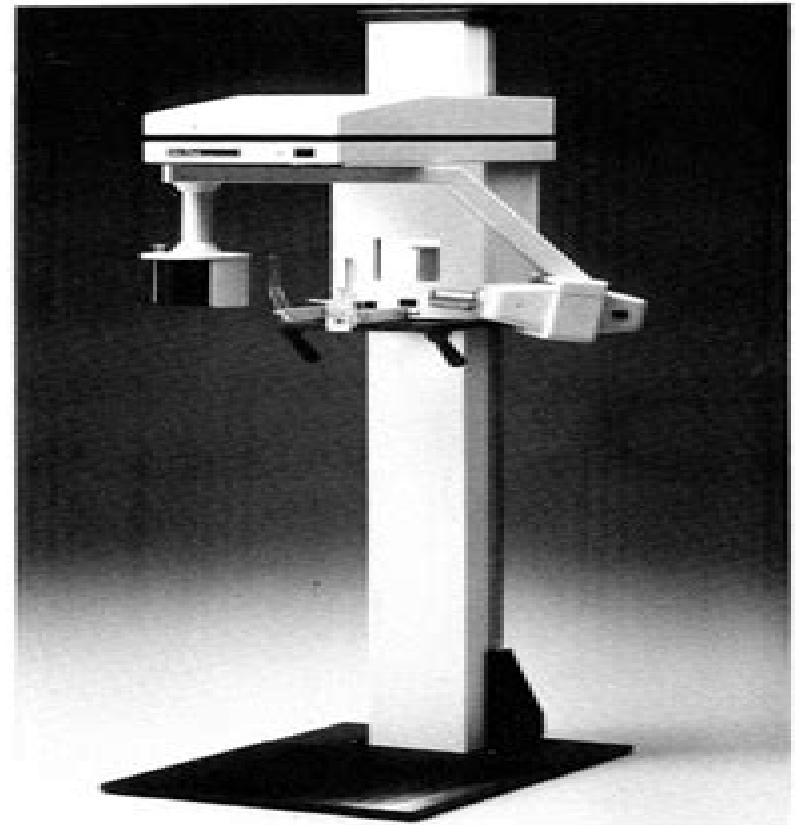


GX-PANTM

**Panoramic
X-Ray System**

INSTALLATION/ MAINTENANCE MANUAL



CATALOG NO. A0600A

**THIS MANUAL MUST BE
RETAINED AT INSTALLATION SITE**

GENDEX

Gx Pan Manual

Edward J. Polk, John J. Mariotti



Gx Pan Manual:

Dental Items of Significance ,1992 **Air Force Manual** United States. Department of the Air Force,1973

Biochemistry Practical Manual - E-Book Soundravally Rajendiran,Pooja Dhiman,2019-01-28 This book will serve as a practical manual for undergraduate students in MBBS Related clinical concepts will also be useful in the preparation of postgraduate entrance exams This book will serve as a practical manual for undergraduate students in MBBS Related clinical concepts will also to useful in the preparation of Post graduate entrance exams *AJCC Cancer Staging Manual* Frederick L, Greene,David L. Page,Irvin D. Fleming,April G. Fritz,Charles M. Balch,Daniel G. Haller,Monica Morrow,2013-11-21 The American Joint Committee on Cancer s Cancer Staging Manual is used by physicians throughout the world to diagnose cancer and determine the extent to which cancer has progressed All of the TNM staging information included in this Sixth Edition is uniform between the AJCC American Joint Committee on Cancer and the UICC International Union Against Cancer In addition to the information found in the Handbook the Manual provides standardized data forms for each anatomic site which can be utilized as permanent patient records enabling clinicians and cancer research scientists to maintain consistency in evaluating the efficacy of diagnosis and treatment The CD ROM packaged with each Manual contains printable copies of each of the book s 45 Staging Forms **Manual of Analytical Quality Control for Pesticides** Joseph Sherma,Jack F. Thompson,1976 **Technical Manual** United States. War Department,1946 **Exercises in Oral Radiography Techniques** Evelyn Thomson-Lakey,2000 This simply written workbook style lab manual provides 14 concrete practical exercises in oral radiographic procedures and interpretation that challenge readers to link theory with clinical practice Concrete practical exercises with explicit directions Self paced broadly written laboratory exercises Simple line drawings photographs radiographs and other illustrations For dental hygienists and assistants *Panoramic Radiology* Olaf E. Langland,1989 **Radiology for the Dental Professional** Herbert H. Frommer,Jeanine J. Stabulas-Savage,2010-03-04 A complete guide to radiology principles and techniques Radiology for the Dental Professional 9th Edition helps you develop imaging skills through practical application Detailed step by step procedures demonstrate proper techniques photos and illustrations improve comprehension and readability Written by Herbert H Frommer DDS and Jeanine J Stabulas RDH BS MPH this book will help you interpret radiographs and troubleshoot and prevent common errors For students it s an ideal introduction to radiology for dental hygiene assisting professionals it s a great review A logical organization starts with the basics and makes it easier to progress through the material Procedures boxes show detailed radiography procedures with illustrations and photos to demonstrate proper techniques Common Errors boxes explain mistakes in radiographic techniques and describe how they can be resolved Advantages Disadvantages boxes compare and contrast the good and bad elements of radiographic techniques Detailed outlines and educational objectives at the beginning of each chapter identify the information that you are expected to learn Key terms are listed at the beginning of each chapter and highlighted upon first

mention in the text Expanded coverage of digital imaging techniques Patient Management and Special Problems chapter improves coverage of nervous patients patients with special needs pediatric patients and specific problems such as endodontic issues and third molars New illustrations depict techniques and show the latest technology **Operator, Organizational, Direct Support, General Support, and Depot Maintenance Manual**, 1990 **Popular Mechanics**, 1991-11 Popular Mechanics inspires instructs and influences readers to help them master the modern world Whether it is practical DIY home improvement tips gadgets and digital technology information on the newest cars or the latest breakthroughs in science PM is the ultimate guide to our high tech lifestyle *Flying Magazine*, 1958-01 *Sjogren's Syndrome* Alessia Alunno, Elena Bartoloni, Roberto Gerli, 2016-06-07 Sjogren s Syndrome Novel Insights in Pathogenic Clinical and Therapeutic Aspects provides the reader with an overview of current knowledge about Sjogren s Syndrome The book summarizes the huge amount of literature concerning related advances in genetic background pathogenesis clinical picture and therapeutic approaches It integrates basic immunology concepts clinical aspects and pharmacological issues Scientific progress has allowed us to unmask novel pathogenic mechanisms to perform genome wide studies and to identify clinical and serological features associated with different disease subsets and eventually different disease prognoses In addition the increasing knowledge about SS pathogenesis provides the rationale to employ targeted therapies in SS as has already occurred in rheumatoid arthritis and systemic lupus erythematosus Discusses heterogeneity of topics and audience from basic immunology to clinical aspects and therapeutics Provides novel lines of investigation and supports the management of patients requiring novel therapeutic approaches Presents a deeper knowledge on SS clinical management as well as on immunological aspects possibly leading to new lines of investigation Offers a bridge between the clinician and the scientist and vice versa Provides the reader with most recent and relevant updates due to the novelty of topics *Sustainable Agriculture-Beyond Organic Farming* Sean Clark, 2018-07-17 This book is a printed edition of the Special Issue Sustainable Agriculture Beyond Organic Farming that was published in Sustainability **Radiology for Dental Hygienists and Dental Assistants** Olaf E. Langland, 1988 *Failure Analysis and Risk Assessment of Natural Disasters Through Machine Learning and Numerical Simulation, volume IV* Faming Huang, Peng Zeng, Sansar Raj Meena, Jiawei Xie, 2025-08-26 Natural disasters which include landslides rock falls rainstorms floods and earthquakes appear as results of the progressive or extreme evolution of climatic tectonic and geomorphological processes and human engineering activities It is significant to explore the failure mechanism and carry out spatial modeling of these natural disasters due to their serious harm to the safety of people s lives and property Various advanced methods including successful remote sensing geographic information systems machine learning models and numerical simulation techniques are promising tools to analyze these complex disasters Machine Learning models such as neuro fuzzy logic decision trees artificial neural networks deep learning and evolutionary algorithms are characterized by their abilities to produce knowledge and discover hidden and unknown patterns and trends

from large databases whereas remote sensing and Geographic Information Systems appear as significant technology equipped with tools for data manipulation and advanced mathematical modeling What is more numerical simulation can also be acknowledged as an advanced technology for discovering hidden failure mechanisms of disasters Commerce Business Daily ,1999-08 **Japanese Army Handbook 1939-1945** Lieutenant Colonel George Forty OBE,2002-12-16 This is an insight into the most feared army of World War II The Japanese Imperial Army grew from 1 5 million men in 1939 to 5 5 million men by the end of the war Their highly successful campaigns in the Far East and the Pacific at the beginning of World War II were every bit as spectacular as those of the Germans in Europe and they earned an enviable reputation as expert jungle fighters which it took some years for the Allies to match Their code of honour also made them extremely cruel enemies to prisoners and civilians alike while their Kamikaze suicidal tendencies meant they would automatically fight to the last without any thought of surrender Fully illustrated with rare archive photographs this is a comprehensive study of the army The author describes how they mobilized and trained their soldiers and looks at their organizational structures from high command down to divisional level and below Also included are uniforms equipment all kinds of weapons ranging from tanks and artillery technical equipment tactics symbology and vehicle markings **Methods Analysis and Work Measurement** Edward J. Polk,John J. Mariotti,1984 *InfoWorld* ,1983-03-14 InfoWorld is targeted to Senior IT professionals Content is segmented into Channels and Topic Centers InfoWorld also celebrates people companies and projects

When people should go to the books stores, search initiation by shop, shelf by shelf, it is in reality problematic. This is why we allow the book compilations in this website. It will enormously ease you to look guide **Gx Pan Manual** as you such as.

By searching the title, publisher, or authors of guide you really want, you can discover them rapidly. In the house, workplace, or perhaps in your method can be every best area within net connections. If you intend to download and install the Gx Pan Manual, it is unquestionably simple then, before currently we extend the connect to buy and create bargains to download and install Gx Pan Manual for that reason simple!

http://www.armchairempire.com/public/browse/index.jsp/john_sinclair_folge_rallye_schreckens_ebook.pdf

Table of Contents Gx Pan Manual

1. Understanding the eBook Gx Pan Manual
 - The Rise of Digital Reading Gx Pan Manual
 - Advantages of eBooks Over Traditional Books
2. Identifying Gx Pan Manual
 - Exploring Different Genres
 - Considering Fiction vs. Non-Fiction
 - Determining Your Reading Goals
3. Choosing the Right eBook Platform
 - Popular eBook Platforms
 - Features to Look for in an Gx Pan Manual
 - User-Friendly Interface
4. Exploring eBook Recommendations from Gx Pan Manual
 - Personalized Recommendations
 - Gx Pan Manual User Reviews and Ratings
 - Gx Pan Manual and Bestseller Lists
5. Accessing Gx Pan Manual Free and Paid eBooks

- Gx Pan Manual Public Domain eBooks
 - Gx Pan Manual eBook Subscription Services
 - Gx Pan Manual Budget-Friendly Options
6. Navigating Gx Pan Manual eBook Formats
 - ePub, PDF, MOBI, and More
 - Gx Pan Manual Compatibility with Devices
 - Gx Pan Manual Enhanced eBook Features
 7. Enhancing Your Reading Experience
 - Adjustable Fonts and Text Sizes of Gx Pan Manual
 - Highlighting and Note-Taking Gx Pan Manual
 - Interactive Elements Gx Pan Manual
 8. Staying Engaged with Gx Pan Manual
 - Joining Online Reading Communities
 - Participating in Virtual Book Clubs
 - Following Authors and Publishers Gx Pan Manual
 9. Balancing eBooks and Physical Books Gx Pan Manual
 - Benefits of a Digital Library
 - Creating a Diverse Reading Collection Gx Pan Manual
 10. Overcoming Reading Challenges
 - Dealing with Digital Eye Strain
 - Minimizing Distractions
 - Managing Screen Time
 11. Cultivating a Reading Routine Gx Pan Manual
 - Setting Reading Goals Gx Pan Manual
 - Carving Out Dedicated Reading Time
 12. Sourcing Reliable Information of Gx Pan Manual
 - Fact-Checking eBook Content of Gx Pan Manual
 - Distinguishing Credible Sources
 13. Promoting Lifelong Learning
 - Utilizing eBooks for Skill Development

- Exploring Educational eBooks
14. Embracing eBook Trends
- Integration of Multimedia Elements
 - Interactive and Gamified eBooks

Gx Pan Manual Introduction

In today's digital age, the availability of Gx Pan Manual books and manuals for download has revolutionized the way we access information. Gone are the days of physically flipping through pages and carrying heavy textbooks or manuals. With just a few clicks, we can now access a wealth of knowledge from the comfort of our own homes or on the go. This article will explore the advantages of Gx Pan Manual books and manuals for download, along with some popular platforms that offer these resources. One of the significant advantages of Gx Pan Manual books and manuals for download is the cost-saving aspect. Traditional books and manuals can be costly, especially if you need to purchase several of them for educational or professional purposes. By accessing Gx Pan Manual versions, you eliminate the need to spend money on physical copies. This not only saves you money but also reduces the environmental impact associated with book production and transportation. Furthermore, Gx Pan Manual books and manuals for download are incredibly convenient. With just a computer or smartphone and an internet connection, you can access a vast library of resources on any subject imaginable. Whether you're a student looking for textbooks, a professional seeking industry-specific manuals, or someone interested in self-improvement, these digital resources provide an efficient and accessible means of acquiring knowledge. Moreover, PDF books and manuals offer a range of benefits compared to other digital formats. PDF files are designed to retain their formatting regardless of the device used to open them. This ensures that the content appears exactly as intended by the author, with no loss of formatting or missing graphics. Additionally, PDF files can be easily annotated, bookmarked, and searched for specific terms, making them highly practical for studying or referencing. When it comes to accessing Gx Pan Manual books and manuals, several platforms offer an extensive collection of resources. One such platform is Project Gutenberg, a nonprofit organization that provides over 60,000 free eBooks. These books are primarily in the public domain, meaning they can be freely distributed and downloaded. Project Gutenberg offers a wide range of classic literature, making it an excellent resource for literature enthusiasts. Another popular platform for Gx Pan Manual books and manuals is Open Library. Open Library is an initiative of the Internet Archive, a non-profit organization dedicated to digitizing cultural artifacts and making them accessible to the public. Open Library hosts millions of books, including both public domain works and contemporary titles. It also allows users to borrow digital copies of certain books for a limited period, similar to a library lending system. Additionally, many universities and educational institutions have their own digital libraries that provide free access to PDF books and manuals.

These libraries often offer academic texts, research papers, and technical manuals, making them invaluable resources for students and researchers. Some notable examples include MIT OpenCourseWare, which offers free access to course materials from the Massachusetts Institute of Technology, and the Digital Public Library of America, which provides a vast collection of digitized books and historical documents. In conclusion, Gx Pan Manual books and manuals for download have transformed the way we access information. They provide a cost-effective and convenient means of acquiring knowledge, offering the ability to access a vast library of resources at our fingertips. With platforms like Project Gutenberg, Open Library, and various digital libraries offered by educational institutions, we have access to an ever-expanding collection of books and manuals. Whether for educational, professional, or personal purposes, these digital resources serve as valuable tools for continuous learning and self-improvement. So why not take advantage of the vast world of Gx Pan Manual books and manuals for download and embark on your journey of knowledge?

FAQs About Gx Pan Manual Books

1. Where can I buy Gx Pan Manual books? Bookstores: Physical bookstores like Barnes & Noble, Waterstones, and independent local stores. Online Retailers: Amazon, Book Depository, and various online bookstores offer a wide range of books in physical and digital formats.
2. What are the different book formats available? Hardcover: Sturdy and durable, usually more expensive. Paperback: Cheaper, lighter, and more portable than hardcovers. E-books: Digital books available for e-readers like Kindle or software like Apple Books, Kindle, and Google Play Books.
3. How do I choose a Gx Pan Manual book to read? Genres: Consider the genre you enjoy (fiction, non-fiction, mystery, sci-fi, etc.). Recommendations: Ask friends, join book clubs, or explore online reviews and recommendations. Author: If you like a particular author, you might enjoy more of their work.
4. How do I take care of Gx Pan Manual books? Storage: Keep them away from direct sunlight and in a dry environment. Handling: Avoid folding pages, use bookmarks, and handle them with clean hands. Cleaning: Gently dust the covers and pages occasionally.
5. Can I borrow books without buying them? Public Libraries: Local libraries offer a wide range of books for borrowing. Book Swaps: Community book exchanges or online platforms where people exchange books.
6. How can I track my reading progress or manage my book collection? Book Tracking Apps: Goodreads, LibraryThing, and Book Catalogue are popular apps for tracking your reading progress and managing book collections. Spreadsheets:

You can create your own spreadsheet to track books read, ratings, and other details.

7. What are Gx Pan Manual audiobooks, and where can I find them? Audiobooks: Audio recordings of books, perfect for listening while commuting or multitasking. Platforms: Audible, LibriVox, and Google Play Books offer a wide selection of audiobooks.
8. How do I support authors or the book industry? Buy Books: Purchase books from authors or independent bookstores. Reviews: Leave reviews on platforms like Goodreads or Amazon. Promotion: Share your favorite books on social media or recommend them to friends.
9. Are there book clubs or reading communities I can join? Local Clubs: Check for local book clubs in libraries or community centers. Online Communities: Platforms like Goodreads have virtual book clubs and discussion groups.
10. Can I read Gx Pan Manual books for free? Public Domain Books: Many classic books are available for free as they're in the public domain. Free E-books: Some websites offer free e-books legally, like Project Gutenberg or Open Library.

Find Gx Pan Manual :

john sinclair folge rallye schreckens ebook

johnson 120 v4 pro manual

john deere l105 owners manual

john deere snowblower repair manual

john studies on the go

john deere sx75 parts manual

john deere rx73 service manual

john deere r54rkb manual

~~johnson 6hp outboard 2000 manual~~

~~john deere repair manuals 310j~~

john deere sabre 1642 manual

johnny appleseed common core unit

johnson 1963 28 outboard owners manual

john deere gs45 manual

john deere la105 manual

Gx Pan Manual :

uhplc hplc prep lc fplc smbc lnp osmometry - May 13 2023

web call us or drop us a line 49 30 809727 0 mo fr 07 00 17 00 ce s t sales knauer net 24 7 knauer develops and builds scientific instruments and components for liquid chromatography dosing and lipid nanoparticle production

knawel definition usage examples dictionary com - Jan 09 2023

web first recorded in 1570 80 knawel is from the german word knauel kneuel knotweed

[knäuel translation in english german english dictionary reverso](#) - Jul 15 2023

web translation german english collins dictionary knäuel found in translations in english german dictionary to roll wool into a ball exp wolle zu einem knäuel aufwickeln she screwed her handkerchief into a ball exp sie knüllte ihr taschentuch zu

knawel wiktionary the free dictionary - Dec 08 2022

web oct 24 2023 from german knauel kneuel ball of thread coil see knäuel compare clew noun edit knawel plural knawels a low spreading weed of the genus scleranthus especially scleranthus annuus common in sandy soil australia new zealand scleranthus biflorus derived terms edit annual knawel scleranthus annuus two

[keanu neal sr is on instagram 326 posts on their profile](#) - Mar 31 2022

web follow 326 posts 131k followers 852 following keanu neal sr south sumter raider florida gator tampa bay buc business inquiries maxx maxxmgmt co

knäuel rechtschreibung bedeutung definition herkunft duden - Oct 06 2022

web definition rechtschreibung synonyme und grammatik von knäuel auf duden online nachschlagen wörterbuch der deutschen sprache

[knäuel english translation linguee](#) - Mar 11 2023

web ein feuc htes knäuel zeit ung oder haushaltspapier in die kalte asche reiben sie damit das glas ein und wischen sie es mit einem trock enen knäuel nach attika ch attika ch d ip a moist ball of newspape r or kitchen towel in the cold ash rub it on the glass then wipe i t with a dry ball of paper attika ch

knÄuel translation in english bab la - Aug 16 2023

web translation for knäuel in the free german english dictionary and many other english translations

[what does nuneul mean definitions net](#) - Feb 27 2022

web jun 1 2018 definition of nuneul in the definitions net dictionary meaning of nuneul what does nuneul mean information and translations of nuneul in the most comprehensive dictionary definitions resource on the web

[knauel etsy singapore](#) - Aug 04 2022

web check out our knauel selection for the very best in unique or custom handmade pieces from our shops

[knawel definition in american english collins english dictionary](#) - Nov 07 2022

web knawel definition any of several old world caryophyllaceous plants of the genus scleranthus having heads meaning pronunciation translations and examples in american english

[osmometer osmometry freezing point knauer](#) - Sep 05 2022

web knauer is one of the pioneers in the field of osmometry and known for its reliable and user friendly instruments for many decades our newest freezing point osmometer k 7400s allows the easy and fast determination of the osmolality of various aqueous solutions also the freezing point depression of the samples can be read

[projektbeutel wolle woll knäuel bunt genäht etsy singapore](#) - Jul 03 2022

web ein projektbeutel für deine handarbeiten ausreichend platz für wolle nadeln utensilien anleitung co mehrere innentaschen und eine aufgesetzte außentasche 2 seitiger tunnelzug zum zusammenziehen des beutels und sicheren verstauen des projekts unterwegs die zwischenlage aus stabilem

knawel wordreference com dictionary of english - May 01 2022

web knawel wordreference english dictionary questions discussion and forums all free

[meike knaue s research works rwth aachen university](#) - Jun 02 2022

web meike knaue s 5 research works with 161 citations and 689 reads including mif shows profibrotic properties after mcd diet via nkt cell population

[what is knäuel in english tradukka](#) - Feb 10 2023

web knäuel meaning definition and translation german garn papier woll faden der zu einer kugel gerollt oder papier das zu einer kugel zusammengedrückt wurde für den schal brauche ich drei knäuel wolle papierknäuel english

english translation of knäuel collins online dictionary - Sep 17 2023

web english translation of knäuel the official collins german english dictionary online over 100 000 english translations of german words and phrases

knäuel wiktionary the free dictionary - Jun 14 2023

web knaue etymology edit from middle high german kniuwel attested in the form knüel dissimilation of kliuwel diminutive of kluwe from old high german kluwa cognate with english clew pronunciation edit ipa 'knɔʏ əl

knäuel translation in leo s english german dictionary - Apr 12 2023

web learn the translation for knäuel in leo s english german dictionary with noun verb tables for the different cases and tenses links to audio pronunciation and relevant forum discussions free vocabulary trainer

[knäuel translate german to english cambridge dictionary](#) - Oct 18 2023

web knäuel translate ball bunch group ball hank learn more in the cambridge german english dictionary

marketing 5e lamb prof charles w hair prof joseph f mcdaniel - Mar 02 2023

web jan 1 2016 marketing 5e lamb prof charles w hair prof joseph f mcdaniel prof carl boshoff prof christo terblanche prof nic 9780199079926 books amazon ca

mktg charles w lamb carl d mcdaniel joe f hair janice - May 24 2022

web about the author 2018 charles w lamb jr served as chair of the department of marketing at the m j neeley school of business from 1982 to 1988 and again from 1997 to 2003

mktg 5th edition 9780176910075 9780176910174 vitalsource - Nov 29 2022

web mktg 5th edition is written by charles w lamb joe f hair carl mcdaniel marc boivin david gaudet kim snow and published by cengage learning canada inc the digital and etextbook isbn for mktg are 9780176910174 0176910174 and the print isbn are 9780176910075 0176910077

marketing charles w lamb carl d mcdaniel joseph f hair - May 04 2023

web charles w lamb carl d mcdaniel joseph f hair thomson south western 2006 marketing 736 pages the exciting new edition of marketing continues the established tradition of adding value far beyond the expectations of students and instructors

essentials of marketing charles w lamb joe f hair carl mcdaniel - Aug 27 2022

web jan 1 2011 essentials of marketing help your students achieve marketing success by delivering the best up to the minute coverage of key marketing topics available in this complete yet brief latest edition of essentials of marketing by award winning instructors and leading authors lamb hair mcdaniel

oxford university press marketing 5e 9780199079926 - Aug 07 2023

web oup southern africa marketing 5th edition covers issues like pricing product labelling and sponsorship and includes a wealth of examples to guide students through current topics such green marketing and marketing communication

marketing 5e lamb prof charles w hair prof joseph f mcdaniel - Apr 03 2023

web marketing 5th edition covers issues like pricing product labelling and sponsorship and includes a wealth of examples to guide students through current topics such green marketing and marketing communication this new edition is written in a more buy new learn more about this copy us 52 78 convert currency shipping us 3 99 within u s a

pdf marketing lamb hair mcdaniel free free download pdf - Oct 09 2023

web download marketing lamb hair mcdaniel free free in pdf format account 40 77 167 126 login register search search partner sites youtube to mp3 converter about us this project started as a student project in 2014 and was presented in 2017 every aspect of the internet we believe ought to be free as a consequence this utility was

amazon com mktg 5 9781111528096 lamb charles w hair - Jul 06 2023

web feb 24 2011 in addition to mktg mcdaniel has written and co authored over 50 textbooks in marketing and business

mcdaniel s research has appeared in such publications as the journal of marketing journal of business research journal of the academy of marketing science and california management review

mktg lamb charles hair joe mcdaniel carl boivin marc - Dec 31 2022

web mktg fifth canadian edition provides introduction to marketing students with an engaging learning experience the growth of this text over the last 10 years has been shaped not only by reviews from instructors teaching the course but also by focus groups with over 400 students

marketing 5th edition 9780176504076 books amazon ca - Sep 27 2022

web jan 1 2012 publisher nelson 5th edition jan 1 2012 isbn 10 0176504079

[marketing charles w lamb joe f hair carl mcdaniel](#) - Jun 05 2023

web jan 1 2012 charles w lamb joe f hair carl mcdaniel cengage learning jan 1 2012 business economics 912 pages engaging and thorough marketing 12th edition shows students how

marketing charles lamb joe hair carl mcdaniel google books - Jul 26 2022

web oct 8 2008 charles lamb joe hair carl mcdaniel cengage learning oct 8 2008 business economics 736 pages with coverage of current marketing practices and exciting new features lamb hair mcdaniel s marketing 10e will have you saying now that s marketing you experience marketing through billboards television commercials

marketing lamb hair mcdaniel 9780324302493 amazon com - Jun 24 2022

web hardcover january 1 2006 by lamb author hair author mcdaniel author see all formats and editions hardcover 5 99 3 used from 4 95

[marketing 5th edition lamb hair mcdaniel harvard university](#) - Mar 22 2022

web less latency epoch to download any of our books in imitation of this one merely said the marketing 5th edition lamb hair mcdaniel is universally compatible gone any devices to read mktg charles w lamb 2017 01 27 4ltr press solutions give students the option to choose the format that best suits their learning preferences this option is

marketing 5th edition lamb hair mcdaniel - Feb 18 2022

web bargains to download and install marketing 5th edition lamb hair mcdaniel thus simple marketing charles w lamb 2018 08 29 this fourth edition of marketing continues to be a trusted reference for students and practitioners of marketing in south africa the new design enhances the accessibility of the text and examples have been updated and

mktg principles of marketing worldcat org - Feb 01 2023

web summary mktg fifth canadian edition provides introduction to marketing students with an engaging learning experience the growth of this text over the last 10 years has been shaped not only by reviews from instructors teaching the course but also by focus groups with over 400 students

principles of marketing charles w lamb joseph f hair carl d - Oct 29 2022

web principles of marketing authors charles w lamb joseph f hair carl d mcdaniel carl mcdaniel publisher college division south western publishing company 1992 original from the university of michigan digitized aug 22 2011 isbn 0538813687 9780538813686 length 757 pages export citation bibtex endnote refman

mktg 5th edition charles w lamb joe f hair carl mcdaniel - Sep 08 2023

web jan 4 2021 mktg 5th edition charles w lamb joe f hair carl mcdaniel marc boivin david gaudet kim snow cengage canada jan 4 2021 business economics 459 pages mktg fifth canadian

lamb hair mcdaniel marketing 5th edition charles w lamb - Apr 22 2022

web principles of marketing charles w lamb 1992 mktg 5th edition charles w lamb 2021 01 04 mktg fifth canadian edition provides introduction to marketing students with an engaging learning experience the growth of this text over the last 10 years has been shaped not only by reviews from instructors teaching the course but also by

la grande encyclopédie des avions de combat ne by paolo - Sep 03 2022

web may 11 2023 la grande encyclopa c die des avions de combat ne 3 5 downloaded from uniport edu ng on may 11 2023 by guest aeroplanes and flying have been

la grande encyclopa c die des avions de combat ne pdf - Oct 04 2022

web may 26 2023 question easy to get as without difficulty as fetch manual la grande encyclopédie des avions de combat ne by paolo matricardi we pay for you this proper

la grande encyclopa c die des avions de combat ne pdf - Aug 02 2022

web may 19 2023 la grande encyclopa c die des avions de combat ne 2 5 downloaded from uniport edu ng on may 19 2023 by guest life of pi yann martel 2001 possessing

la grande encyclopédie des avions de combat ne by paolo - Nov 05 2022

web 60 ans d avions de combat dec 14 2022 avions de combat jul 21 2023 avions de combat apr 06 2022 avions spéciaux de combat jan 03 2022 du contexte militaire

la grande encyclopédie des avions de combat ne by paolo - Jan 27 2022

web full text of encyclop die d histoire naturelle ou bibliographie de la france 1863 part 2 pdf free download mthode esprit et doctrine de la franc maonnerie patristique proximis

la grande encyclopédie des avions de combat amazon fr - Jun 12 2023

web la grande encyclopédie des avions de combat ne by paolo matricardi toute l histoire des avions militaires de leur naissance à nos jours depuis son avènement il y a un peu

la grande encyclopa c die des avions de combat ne - Jan 07 2023

web jul 17 2023 la grande encyclopa c die des avions de combat ne 2 5 downloaded from uniport edu ng on july 17 2023 by guest encyclopaedia of asian civilizations a b louis

la grande encyclopa c die des avions de combat ne - Dec 06 2022

web la grande encyclopédie des avions de combat ne by paolo matricardi la grande encyclopédie des avions de combat ne by paolo matricardi iso fr extrannuaire

la grande encyclopédie des avions de combat ne by paolo - Dec 26 2021

web jul 30 2023 la grande encyclopédie des avions de combat ne by paolo matricardi lilela la grande guerre en images tal univ paris3 fr nu pieds stock photos amp nu

la grande encyclopédie des avions de combat ne by paolo - May 31 2022

web may 29 2023 la grande encyclopa c die des avions de combat ne 2 7 downloaded from uniport edu ng on may 29 2023 by guest mathematical models of the systems

la grande encyclopédie des avions de combat ne - Jul 13 2023

web cet ouvrage exceptionnel illustré par presque 800 photos et dessins et richement commenté retrace de façon chronologique l'évolution des avions de combat des

la grande encyclopa c die des avions de combat ne pdf - Mar 09 2023

web la grande encyclopa c die des avions de combat ne Œuvres diverses contenant catéchisme d'économie politique fragments et opuscules inédits correspondance

la grande encyclopédie des avions de combat ne by paolo - Nov 24 2021

web la grande encyclopédie des avions de combat ne by paolo matricardi la grande encyclopédie des avions de combat ne by paolo matricardi read le robert et

la grande encyclopa c die des avions de combat ne book - Feb 08 2023

web la grande encyclopa c die des avions de combat ne 3 3 table of contents the works of lord byron vol 1 fugitive pieces poems on various occasions hours of

la grande encyclopédie des avions de combat ne by paolo - May 11 2023

web aug 3 2023 la grande encyclopa c die des avions de combat ne 2 5 downloaded from uniport edu ng on august 3 2023 by guest interest in aviation law and to provide the

la grande encyclopa c die des avions de combat ne copy - Jul 01 2022

web la grande encyclopédie des avions de combat ne by paolo matricardi la grande encyclopédie des avions de combat ne by paolo matricardi read le robert et

la grande encyclopa c die des avions de combat ne - Sep 22 2021

la grande encyclopédie des avions de combat ne by paolo - Mar 29 2022

web jul 28 2023 la grande encyclopédie des avions de combat ne by paolo matricardi pdf pushing back the origin of bantu lexicography the mthode esprit et doctrine de la

la grande encyclopa c die des avions de combat ne pdf - Apr 10 2023

web approaches such as bécassine read in the light of postcolonialism le corbusier and bd techniques in architecture post war bd and nostalgia for the resistance or pilote and

la grande encyclopédie des avions de combat ne by paolo - Feb 25 2022

web ne by paolo matricardi that we will definitely offer this la grande encyclopédie des avions de combat ne by paolo matricardi as one of the most operational sellers here

la grande encyclopédie des avions de combat ne by paolo - Oct 24 2021

web jun 26 2023 as this la grande encyclopa c die des avions de combat ne it ends stirring being one of the favored ebook la grande encyclopa c die des avions de combat ne

la grande encyclopa c die des avions de combat ne copy - Apr 29 2022

web jun 22 2023 la grande encyclopédie des avions de combat ne by paolo matricardi retrace l histoire des avions de combat en un panorama complet depuis le tout début

la grande encyclopa c die des avions de combat ne pdf - Aug 14 2023

web la grande encyclopa c die des avions de combat ne avions spéciaux de combat apr 22 2022 du contexte militaire actuel sont nées différentes familles d appareils